



US00D753944S

(12) **United States Design Patent**
Polidoros

(10) **Patent No.:** **US D753,944 S**
(45) **Date of Patent:** **** Apr. 19, 2016**

(54) **TABLE BASE**
(71) Applicant: **IHS Global Design Pty. Ltd.**, Rowville,
Victoria (AU)
(72) Inventor: **Nicholas Polidoros**, Mitcham (AU)
(73) Assignee: **IHS Global Design Pty Ltd.** (AU)
(**) Term: **14 Years**

1,963,594 A 6/1934 Schwabe
2,010,342 A 8/1935 Woods
2,190,623 A 2/1940 Benson
2,591,797 A 4/1952 Exline et al.
D222,624 S 11/1971 Gianfagna
4,300,455 A 11/1981 Ornati
D264,291 S * 5/1982 Haigh D6/691.8
D298,095 S 10/1988 Kelley et al.
D307,685 S * 5/1990 Kelley D6/691.8

(Continued)

(21) Appl. No.: **29/491,756**
(22) Filed: **May 23, 2014**

FOREIGN PATENT DOCUMENTS

AU 2006203492 2/2008
CN 3245051 7/2002

(Continued)

Related U.S. Application Data

(63) Continuation of application No. 29/471,204, filed on Oct. 29, 2013, now Pat. No. Des. 708,463, which is a continuation of application No. 29/424,878, filed on Jun. 16, 2012, now Pat. No. Des. 693,613, which is a continuation of application No. 12/377,096, filed as application No. PCT/AU2007/000589 on May 4, 2007, now abandoned, said application No. 29/471,204 is a continuation of application No. 29/457,257, filed on Jun. 7, 2013, now Pat. No. Des.

(Continued)

(51) **LOC (10) Cl.** **06-06**
(52) **U.S. Cl.**
USPC **D6/709**
(58) **Field of Classification Search**
USPC D6/480-489, 495-499, 429-431, 691.8,
D6/692.6, 708, 709, 710; 108/153.1, 155,
108/156, 157.1, 161, 115, 157.16, 157.17,
108/157.18, 118, 119, 160; 248/188, 188.1,
248/188.7, 188.8
See application file for complete search history.

OTHER PUBLICATIONS

Bloomberry, Rosewood foldable tray table, 1stdibs.com, http://www.1stdibs.com/furniture_item_print.php?id=664172, available at least as early as Nov. 2, 2012.

(Continued)

Primary Examiner — Janice Seeger
(74) *Attorney, Agent, or Firm* — Saidman DesignLaw Group, LLC

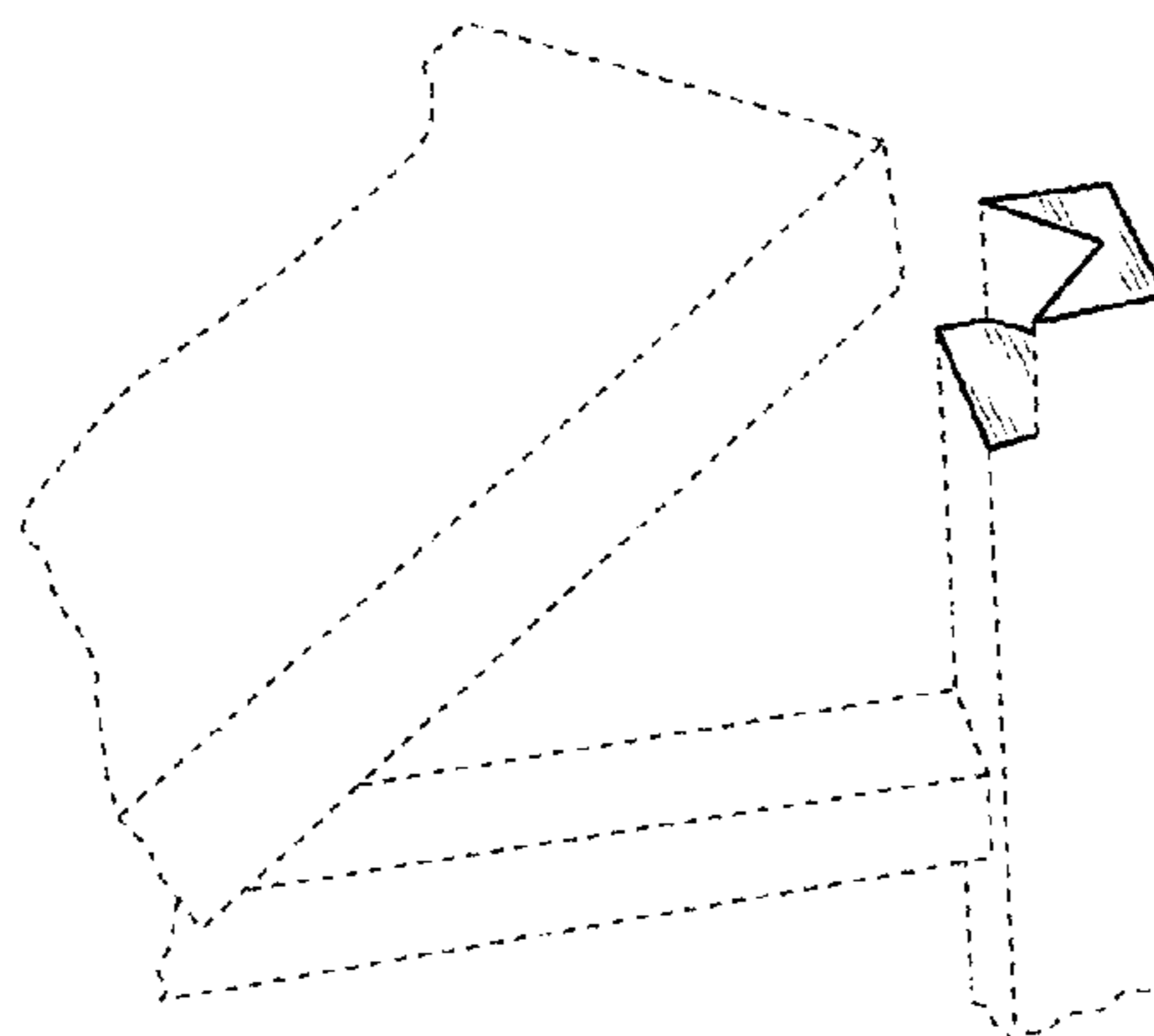
(57) **CLAIM**
The ornamental design for a table base, as shown and described.

DESCRIPTION

FIG. 1 is a perspective view of a table base showing my new design;
FIG. 2 is a top view thereof;
FIG. 3 is an enlarged partial perspective view thereof; and,
FIG. 4 is an enlarged partial perspective view thereof with the table top lifted away.
The broken lines illustrate environmental structure and form no part of the claimed design.

1 Claim, 3 Drawing Sheets

(56) **References Cited**
U.S. PATENT DOCUMENTS
587,219 A 7/1897 Maes
D35,045 S 9/1901 Stickley
1,939,904 A 12/1933 Koopman



Related U.S. Application Data

692,708, which is a continuation of application No. 29/424,878, which is a continuation of application No. 12/377,096, filed as application No. PCT/AU2007/000589, said application No. 29/471,204 is a continuation of application No. 29/461,203, filed on Jul. 19, 2013, now Pat. No. Des. 693,161, which is a continuation of application No. 29/457,257, which is a continuation of application No. 29/424,878, which is a continuation of application No. 12/377,096, filed as application No. PCT/AU2007/000589, said application No. 29/471,204 is a continuation of application No. 29/461,203, which is a continuation of application No. 29/424,878, which is a continuation of application No. 12/377,096, filed as application No. PCT/AU2007/000589, said application No. 29/471,204 is a continuation of application No. 29/464,825, filed on Aug. 21, 2013, now Pat. No. Des. 703,473, which is a continuation of application No. 29/424,878, which is a continuation of application No. 12/377,096, filed as application No. PCT/AU2007/000589, said application No. 29/471,204 is a continuation of application No. 29/464,825, which is a continuation of application No. 29/457,257, which is a continuation of application No. 29/424,878, which is a continuation of application No. 12/377,096, filed as application No. PCT/AU2007/000589, said application No. 29/471,204 is a continuation of application No. 29/464,825, which is a continuation of application No. 29/461,203, which is a continuation of application No. 29/457,257, which is a continuation of application No. 12/377,096, filed as application No. PCT/AU2007/000589.

(56)

References Cited

U.S. PATENT DOCUMENTS

D425,335 S * 5/2000 Newhouse D6/691.8

| | | |
|-----------------|---------|---------------|
| D430,414 S | 9/2000 | Aloisi |
| D440,431 S | 4/2001 | Alexandersson |
| D440,788 S | 4/2001 | Alexandersson |
| D480,578 S | 10/2003 | Teel |
| D485,097 S | 1/2004 | Raftery |
| D553,384 S | 10/2007 | Wilenius |
| D649,381 S | 11/2011 | Mainzer |
| D662,735 S | 7/2012 | Polidoros |
| D665,540 S | 8/2012 | Kilroy |
| D692,708 S | 11/2013 | Polidoros |
| D693,161 S | 11/2013 | Polidoros |
| D693,613 S | 11/2013 | Polidoros |
| D703,473 S | 4/2014 | Polidoros |
| D708,463 S | 7/2014 | Polidoros |
| 2008/0143166 A1 | 6/2008 | de Oliveira |
| 2010/0147200 A1 | 6/2010 | Polidoros |

FOREIGN PATENT DOCUMENTS

| | | |
|----|-------------|---------|
| FR | 954590-001 | 11/1995 |
| FR | 954590-002 | 11/1995 |
| GB | 397592 | 8/1933 |
| GB | 510248 | 7/1939 |
| GB | 652211 | 4/1951 |
| GB | 766898 | 1/1957 |
| GB | 2 316 605 | 3/1998 |
| WO | 2008/014535 | 2/2008 |

OTHER PUBLICATIONS

Fornasetti Lacquered Tray Table, 1stdibs.com, http://www.1stdibs.com/furniture_item_print.php?id=700614, available at least as early as Nov. 2, 2012.

Mark Frisman, Hans Wegner Occasional Table in Teak, 1stdibs.com, http://www.1stdibs.com/furniture_item_print.php?id=711797, available at least as early as Nov. 2, 2012.

Dual, Nest of Occasional Tables Bertha Schaefer for M. Singer & Sons, 1stdibs.com, http://www.1stdibs.com/furniture_item_print.php?id=330714, available at least as early as Nov. 2, 2012.

G4 Décor, Tole Tray with Stand, 1stdibs.com, http://www.1stdibs.com/furniture_item_print.php?id=499089, available at least as early as Nov. 2, 2012.

Forbes Industries, EcoFlex Tables Catalogue, © 2013.

* cited by examiner

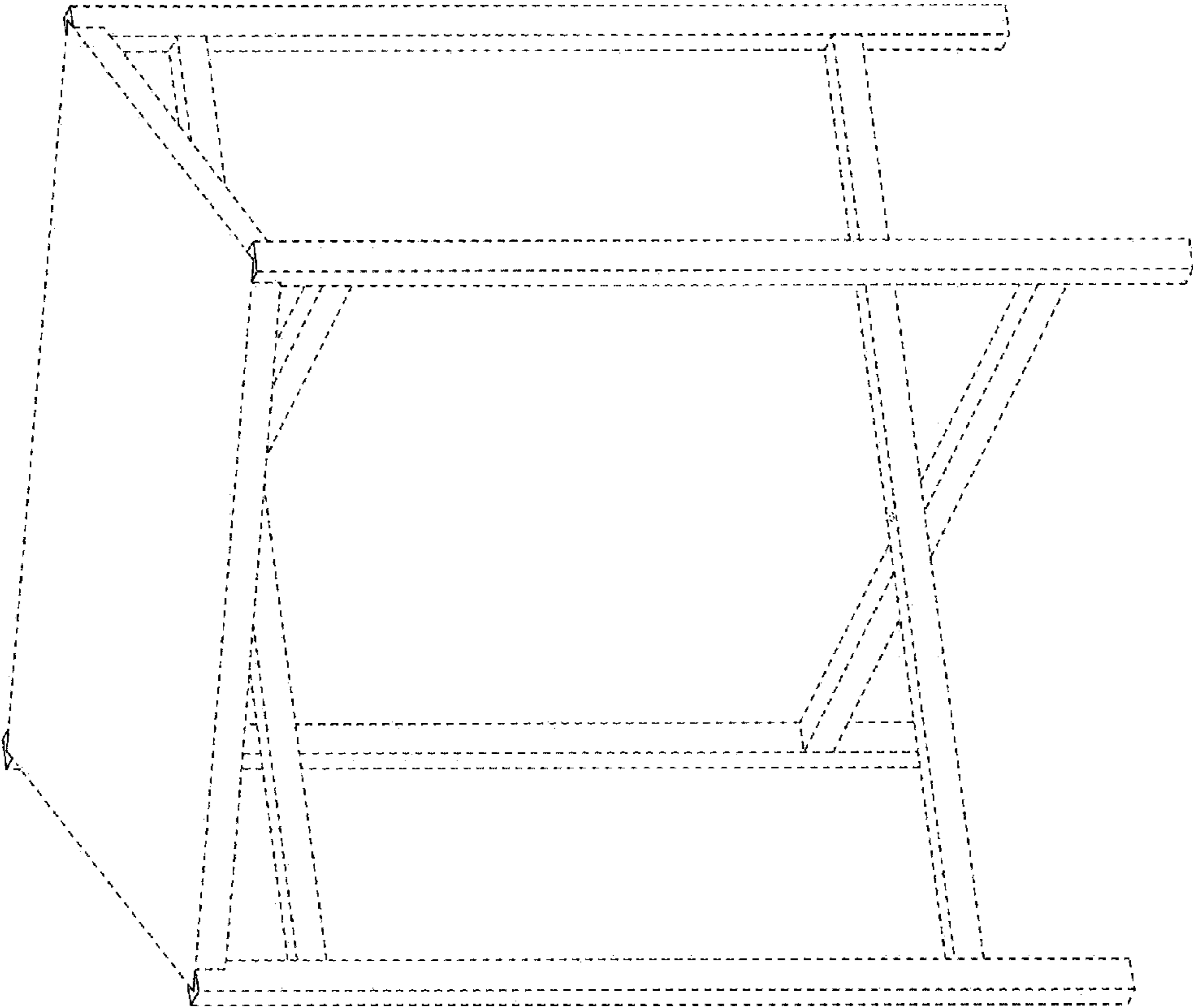


Fig. 1



Fig. 2

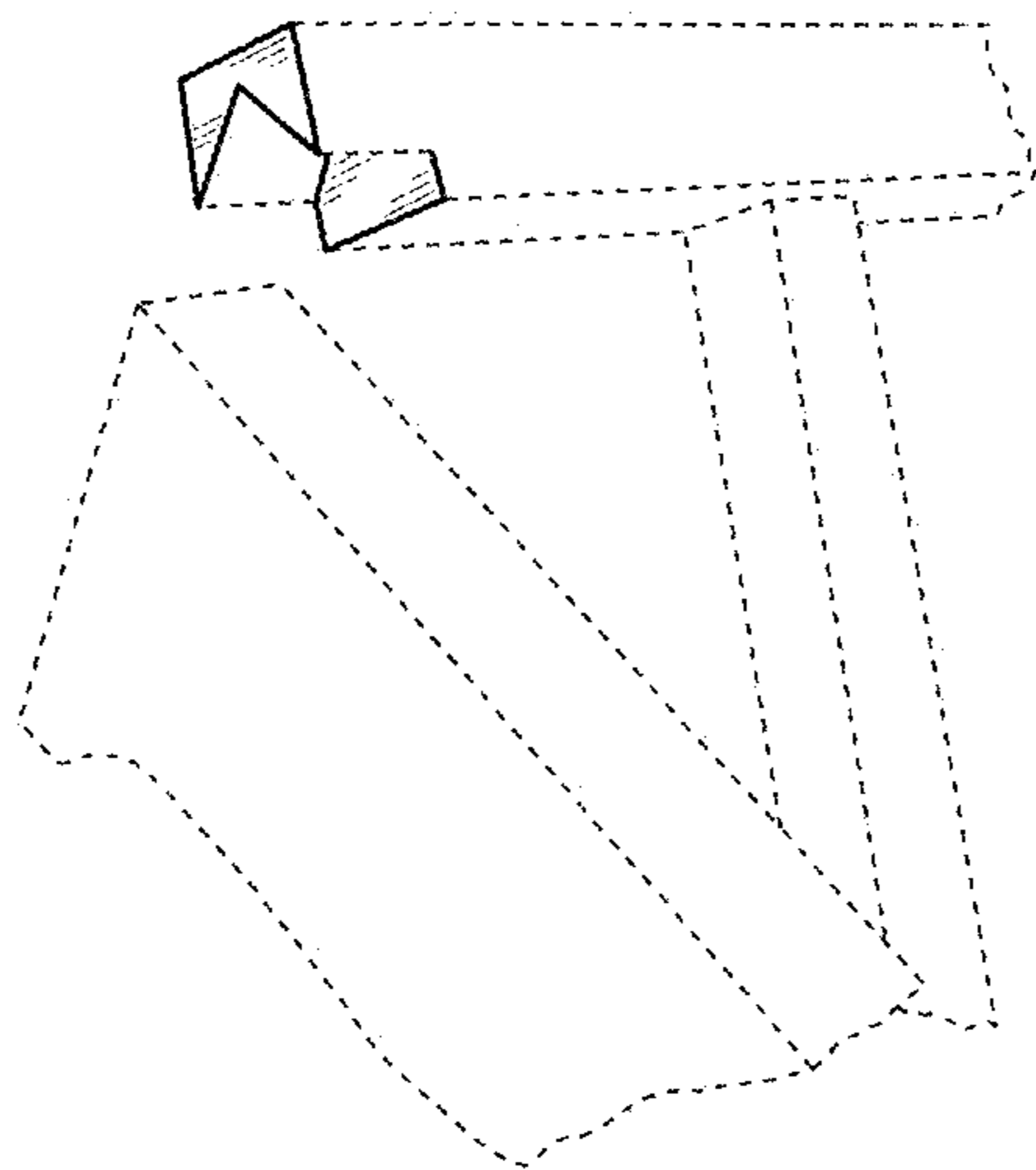


Fig. 4

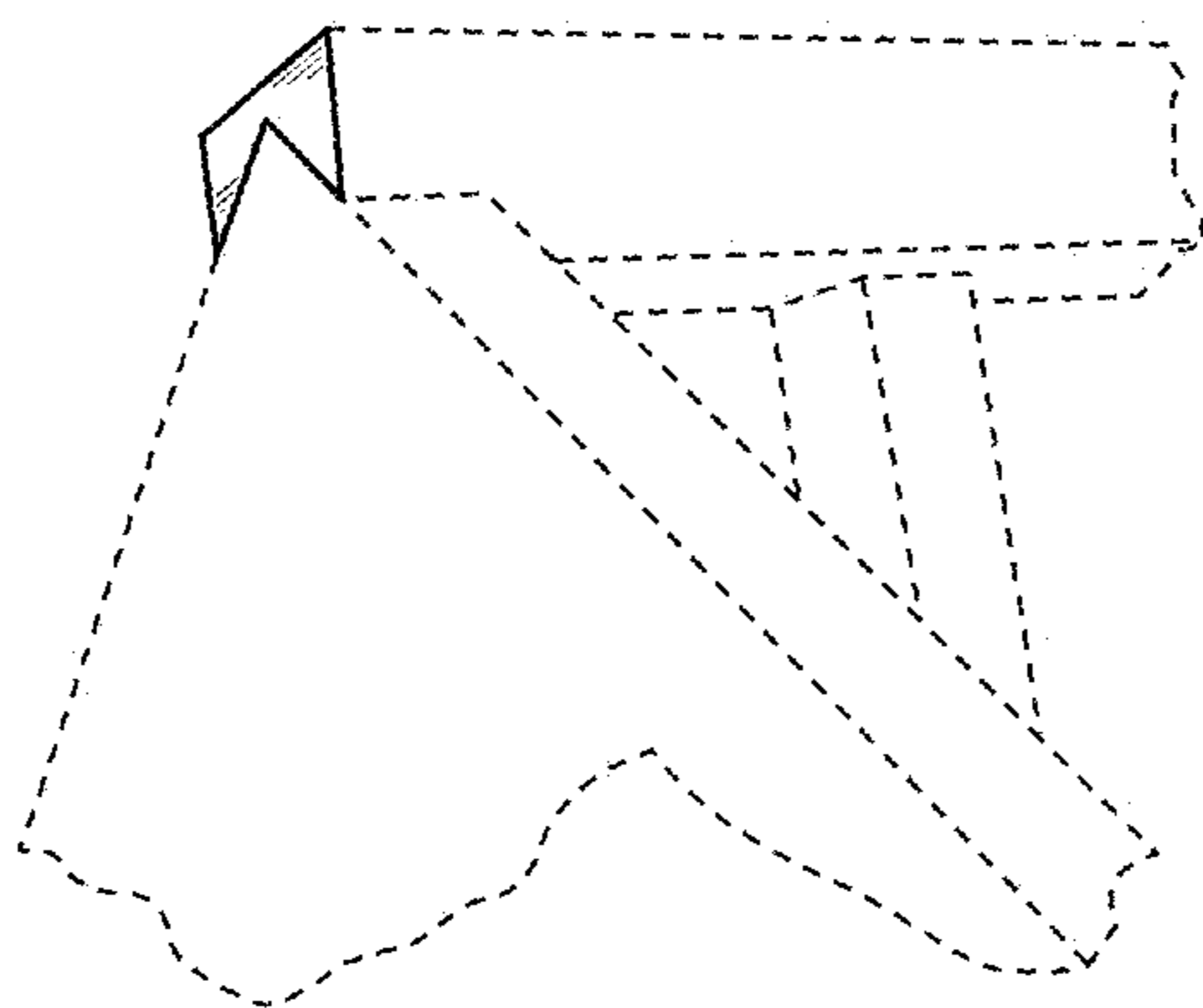


Fig. 3