



US00D753942S

(12) **United States Design Patent**
Akana et al.

(10) **Patent No.:** **US D753,942 S**
(45) **Date of Patent:** **** Apr. 19, 2016**

(54) **DISPLAY STAND**

CPC A47F 5/04; A47F 7/0057; A47F 7/022
See application file for complete search history.

(71) Applicant: **Apple Inc.**, Cupertino, CA (US)

(72) Inventors: **Jody Akana**, San Francisco, CA (US);
Bartley K. Andre, Palo Alto, CA (US);
Shota Aoyagi, San Francisco, CA (US);
Anthony Michael Ashcroft, San Francisco, CA (US); **Jeremy Bataillou**, San Francisco, CA (US); **Daniel J. Coster**, San Francisco, CA (US); **Daniele De Iuliis**, San Francisco, CA (US); **M. Evans Hankey**, San Francisco, CA (US); **Julian Hoenig**, San Francisco, CA (US); **Richard P. Howarth**, San Francisco, CA (US); **Jonathan P. Ive**, San Francisco, CA (US); **Duncan Robert Kerr**, San Francisco, CA (US); **Matthew Dean Rohrbach**, San Francisco, CA (US); **Peter Russell-Clarke**, San Francisco, CA (US); **Benjamin Andrew Shaffer**, San Jose, CA (US); **Mikael Silvanto**, San Francisco, CA (US); **Christopher J. Stringer**, Woodside, CA (US); **Eugene Antony Whang**, San Francisco, CA (US); **Rico Zörkendörfer**, San Francisco, CA (US)

(56) **References Cited**

U.S. PATENT DOCUMENTS

D141,791 S *	7/1945	Siegel	D6/682
2,549,369 A *	4/1951	Epstein	A47F 7/022 248/116
D209,359 S	11/1967	Schuler	
5,136,557 A	8/1992	Plawker et al.	
5,181,608 A *	1/1993	Herzog	A45C 11/12 206/301
5,377,822 A *	1/1995	Herzog	A47F 7/022 206/301
5,579,906 A *	12/1996	Fabbri	A47F 7/022 206/1.5
D379,758 S	6/1997	Chu Lee	
5,799,911 A *	9/1998	Dostie	A47F 7/022 206/301
D409,416 S	5/1999	Au	

(Continued)

Primary Examiner — Kelley Donnelly

(74) *Attorney, Agent, or Firm* — Sterne, Kessler, Goldstein & Fox P.L.L.C.

(57) **CLAIM**

The ornamental design for a display stand, as shown and described.

DESCRIPTION

FIG. 1 is a top front perspective view of a display stand showing our new design;
FIG. 2 is a front view thereof;
FIG. 3 is a rear view thereof;
FIG. 4 is a left side view thereof;
FIG. 5 is a right side view thereof;
FIG. 6 is a top view thereof;
FIG. 7 is a bottom view thereof; and,
FIG. 8 is a right side view thereof showing the display stand in an environment in which it may be used.
The broken lines in the Figures show portions of the display stand or environment that form no part of the claimed design.

1 Claim, 6 Drawing Sheets

(73) Assignee: **Apple Inc.**, Cupertino, CA (US)

(**) Term: **15 Years**

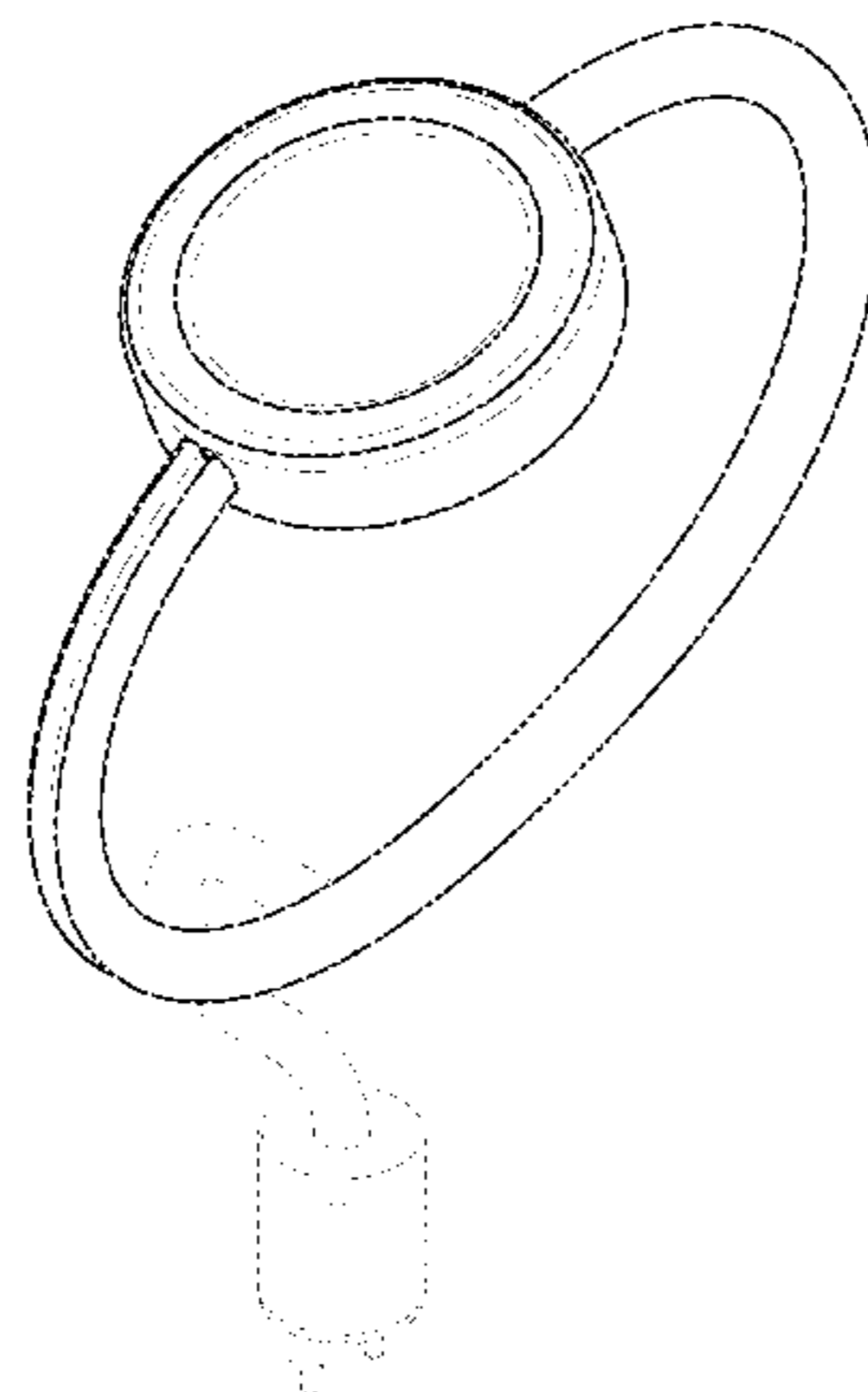
(21) Appl. No.: **29/541,528**

(22) Filed: **Oct. 5, 2015**

(51) **LOC (10) Cl.** **06-06**

(52) **U.S. Cl.**
USPC **D6/682.5**

(58) **Field of Classification Search**
USPC D6/677, 681, 681.1, 682, 682.1, 682.3,
D6/682.5; 211/13.1, 85.2, 85.3, 85.26,
211/85.1



(56)

References Cited

U.S. PATENT DOCUMENTS

6,109,279 A 8/2000 Kloss et al.
6,264,148 B1 * 7/2001 Chandler A47F 7/022
206/301
D478,740 S 8/2003 Kirshner
D499,903 S * 12/2004 Zanghi D6/678

D502,338 S 3/2005 Zanghi et al.
D540,065 S * 4/2007 Harris D6/672
D599,241 S 9/2009 Andre et al.
D643,844 S 8/2011 Akana et al.
D662,939 S 7/2012 Akana et al.
D696,259 S 12/2013 Howarth et al.
D735,131 S 7/2015 Akana et al.

* cited by examiner

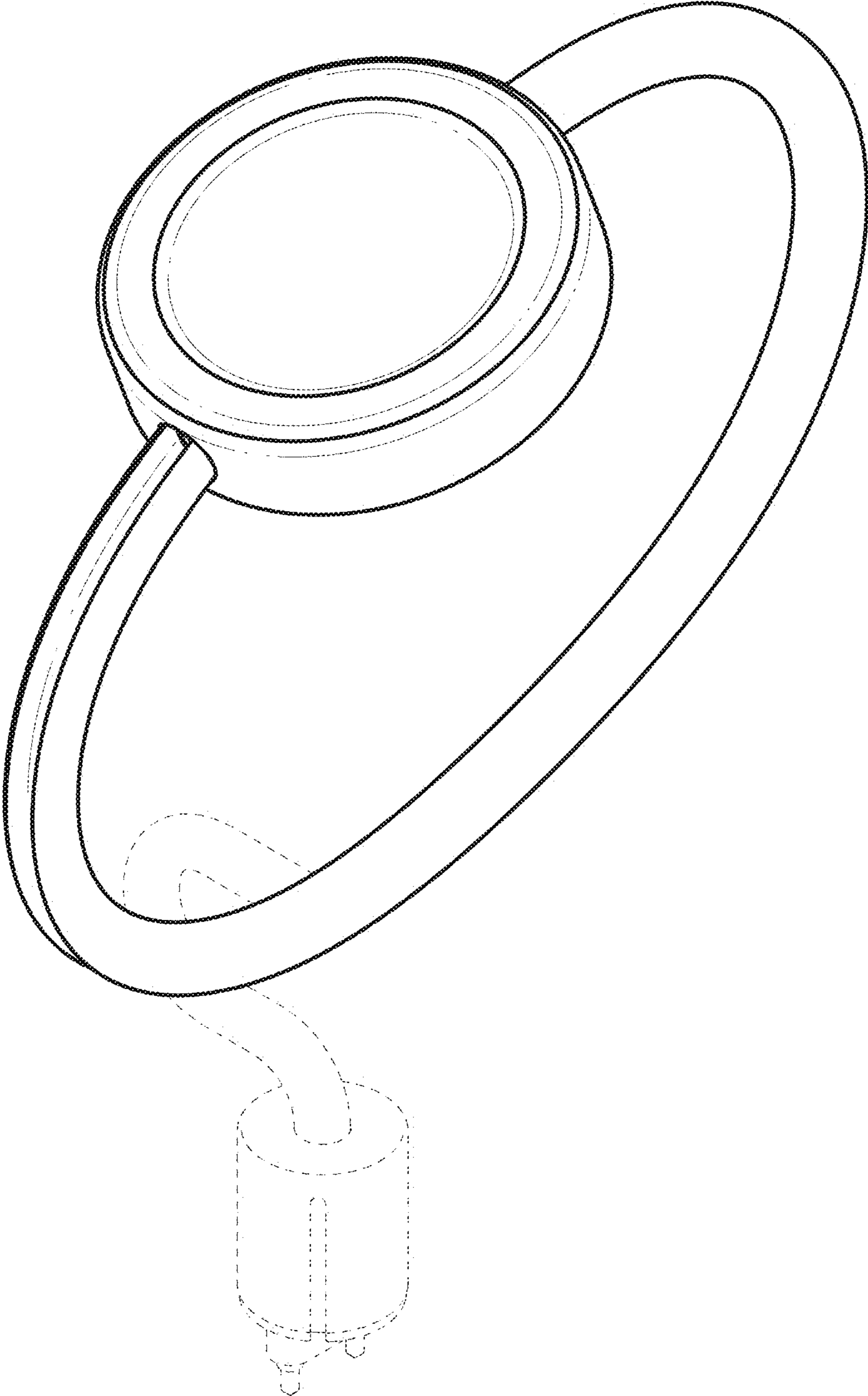


FIG. 1

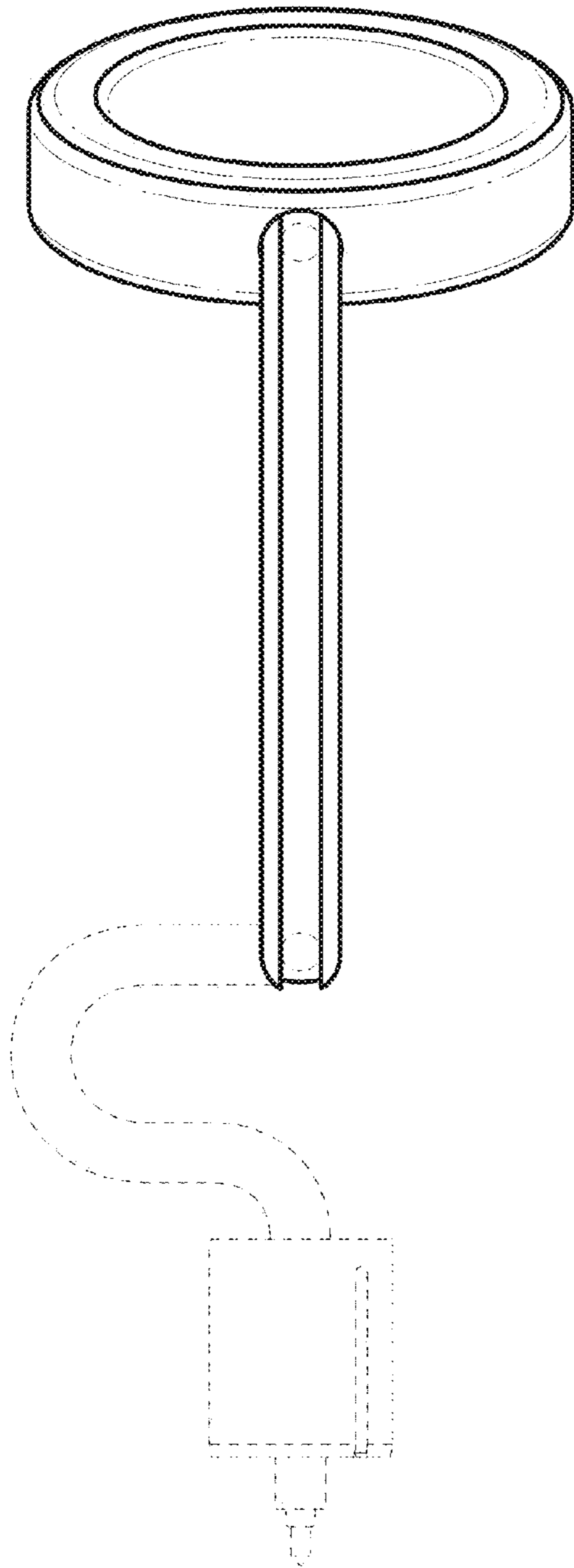


FIG. 2

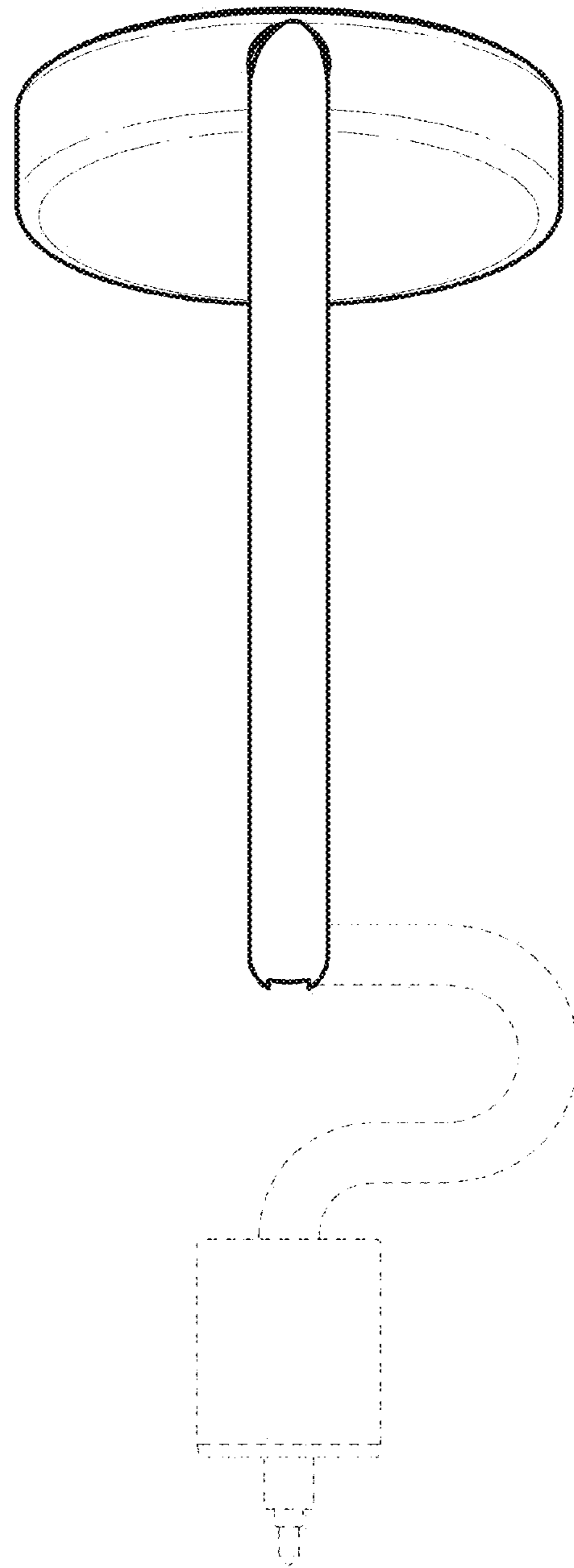


FIG. 3

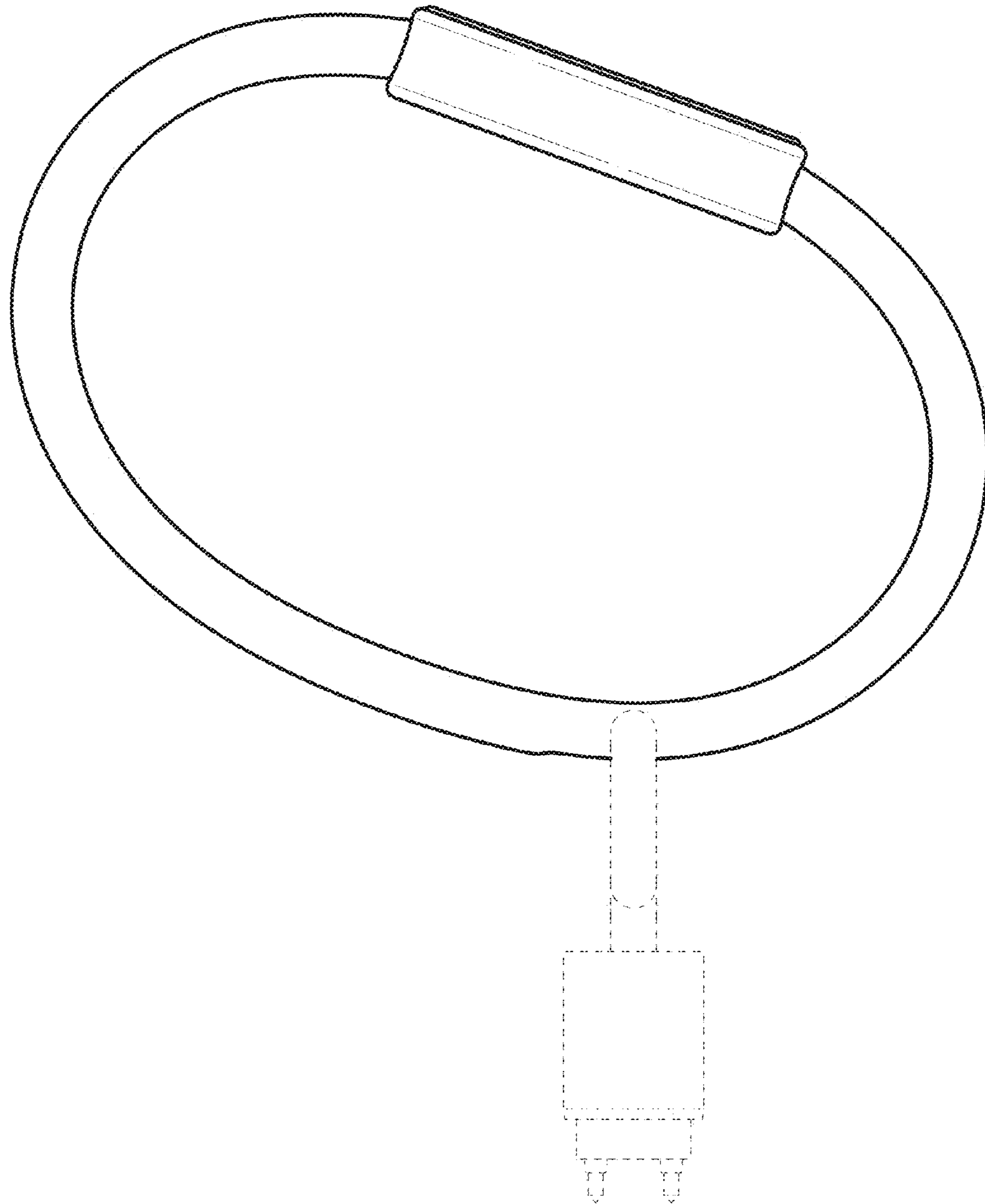


FIG. 4

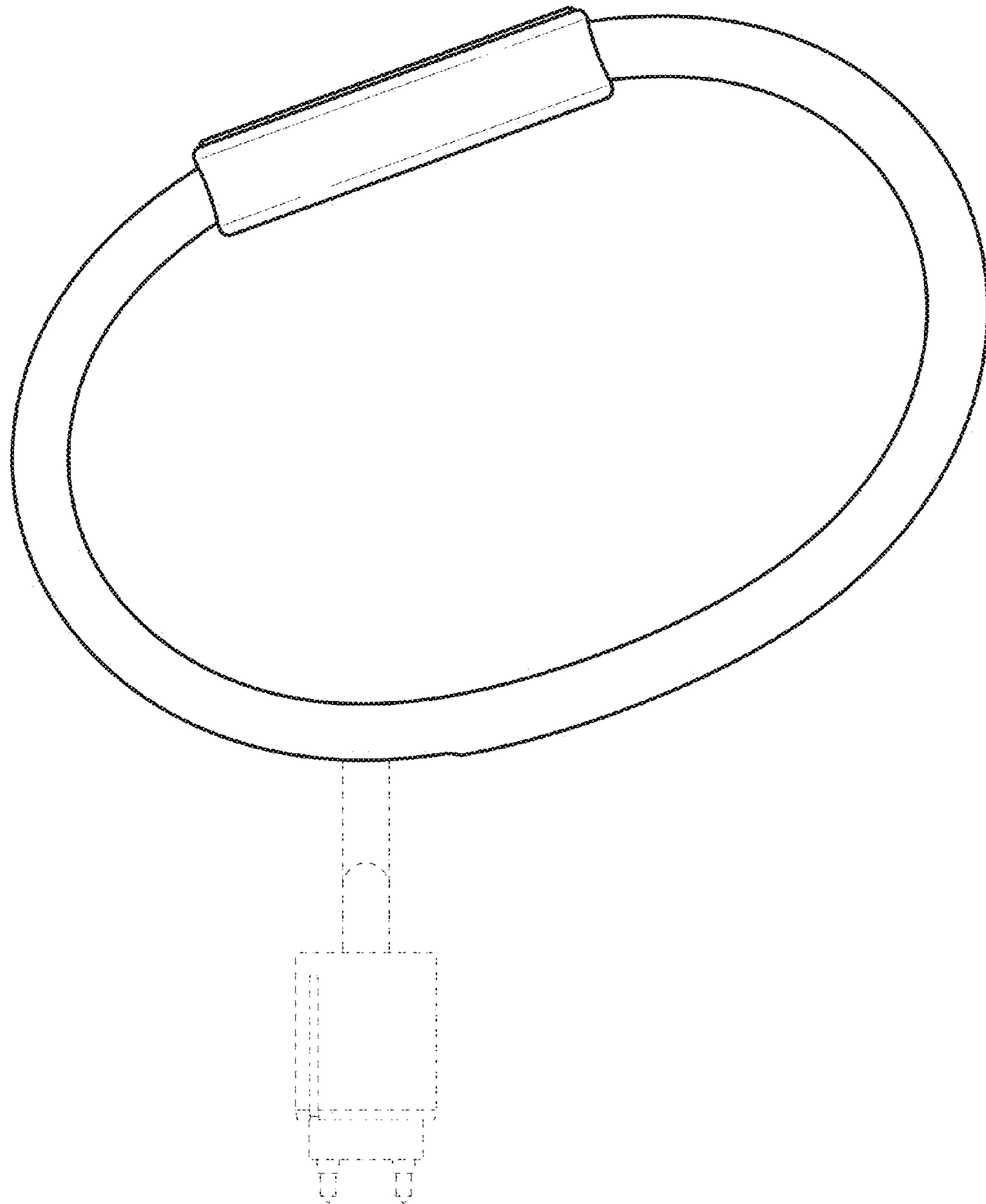


FIG. 5

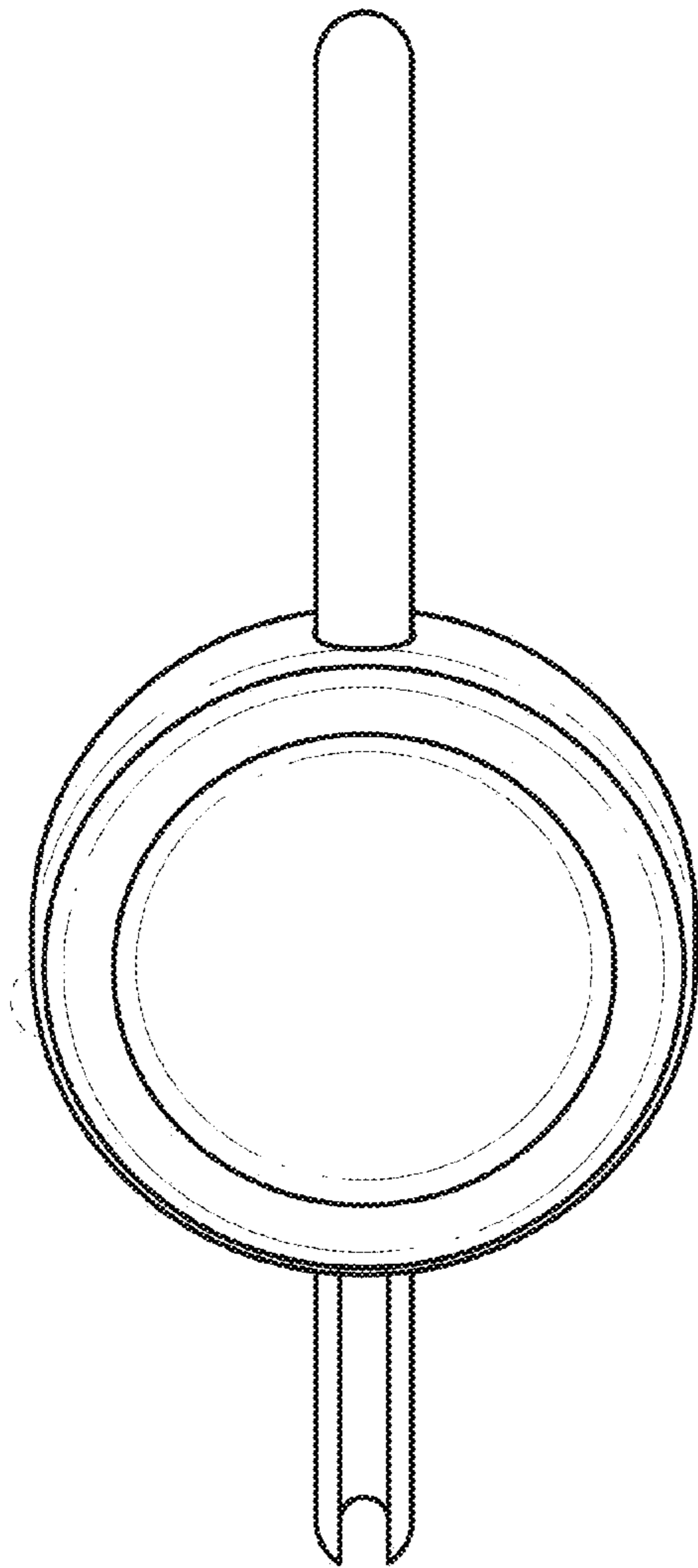


FIG. 6

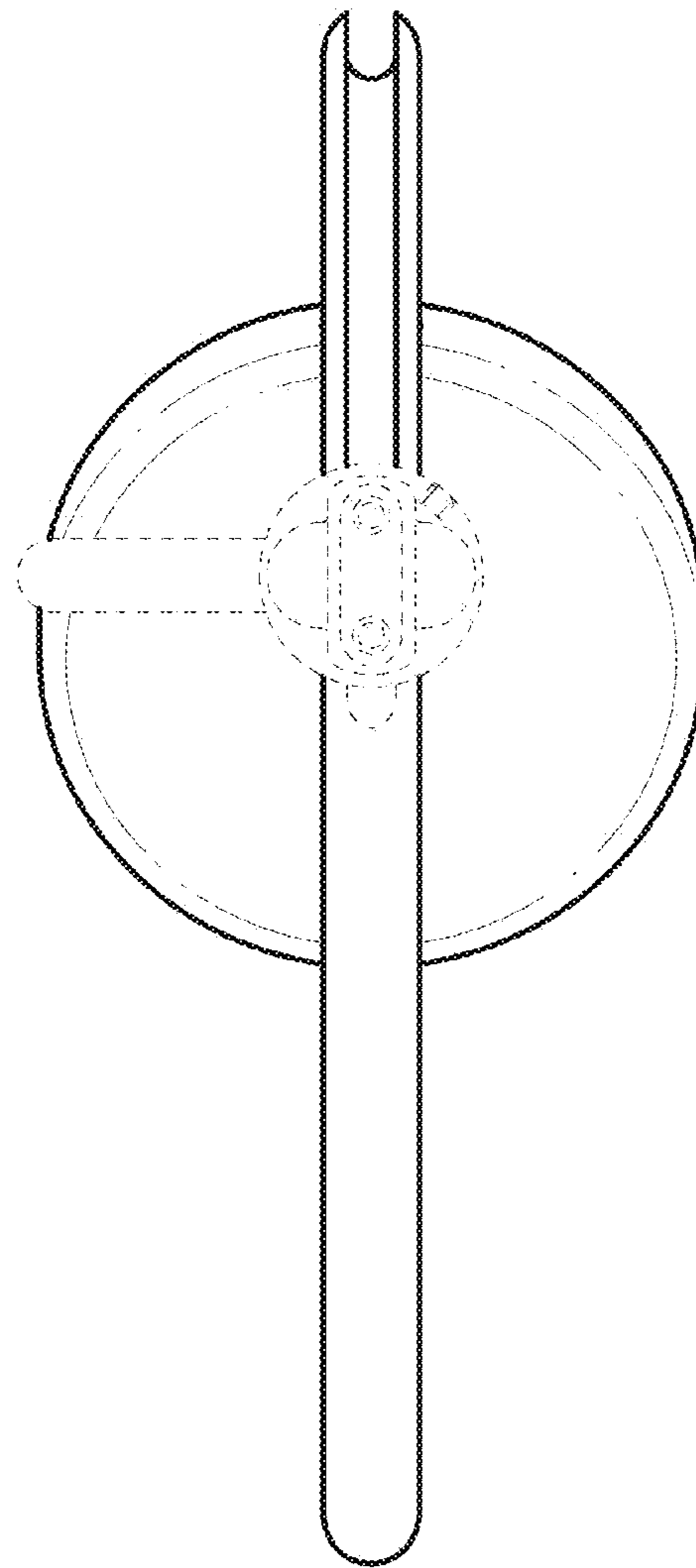


FIG. 7

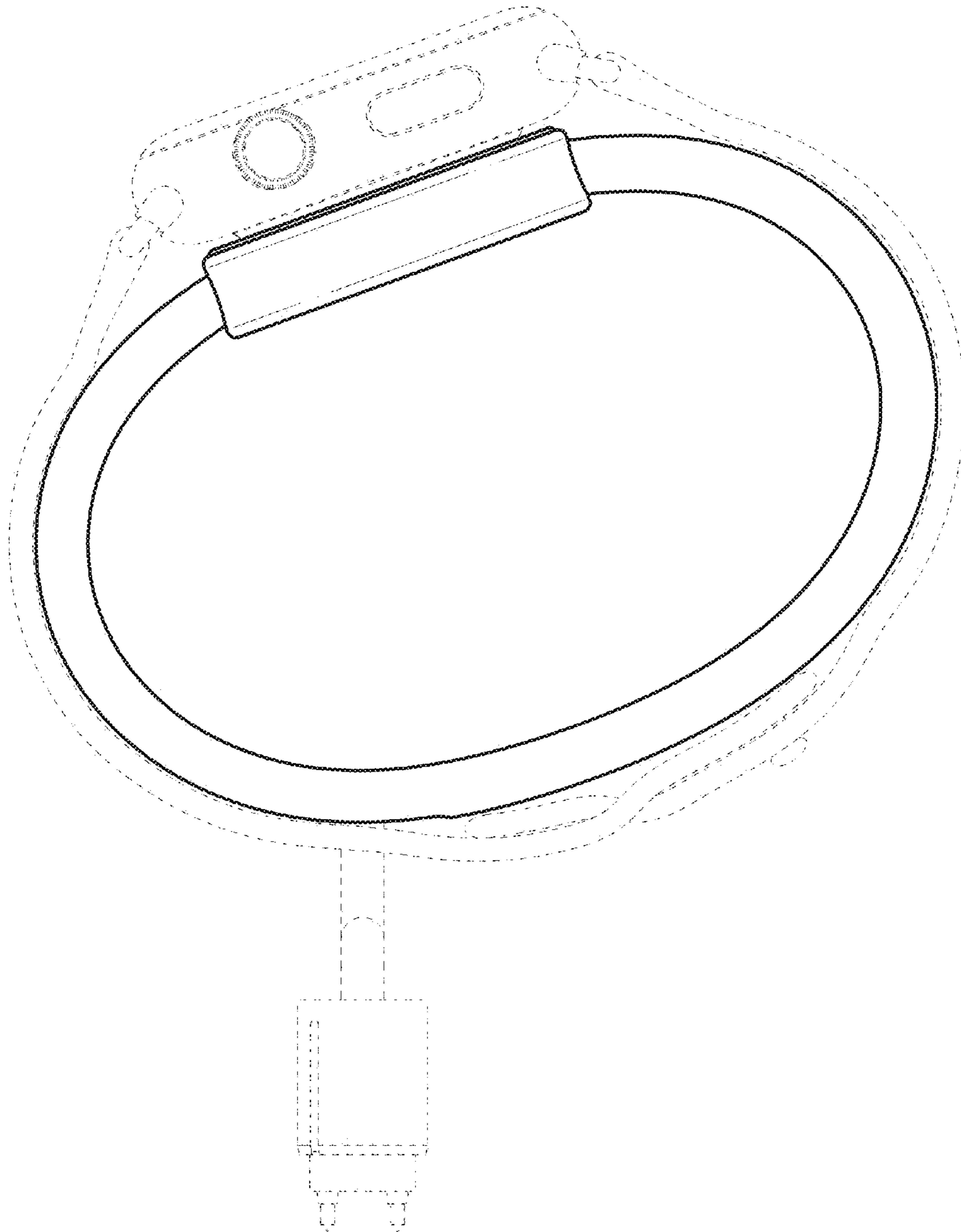


FIG. 8

UNITED STATES PATENT AND TRADEMARK OFFICE
CERTIFICATE OF CORRECTION

PATENT NO. : D753,942 S
APPLICATION NO. : 29/541528
DATED : April 19, 2016
INVENTOR(S) : Jody Akana

Page 1 of 1

It is certified that error appears in the above-identified patent and that said Letters Patent is hereby corrected as shown below:

Title Page, insert item 63, after item 22

--This application is a continuation of and claims priority to U.S. Design Application No. 29/500,897,
filed August 29, 2014.--

Signed and Sealed this
Sixteenth Day of August, 2016



Michelle K. Lee
Director of the United States Patent and Trademark Office