



US00D753940S

(12) **United States Design Patent**
Ruiz et al.

(10) **Patent No.:** **US D753,940 S**
(45) **Date of Patent:** **** Apr. 19, 2016**

(54) **DOUBLE ROD GARMENT RACK**
(71) Applicant: **Whitmor, Inc.**, Southhaven, MS (US)
(72) Inventors: **Milton D. Ruiz**, Germantown, TN (US);
Sandy Felsenthal, Memphis, TN (US)
(73) Assignee: **Whitmor, Inc.**, Southaven, MS (US)
(**) Term: **14 Years**
(21) Appl. No.: **29/498,316**
(22) Filed: **Aug. 1, 2014**
(51) **LOC (10) Cl.** **06-04**
(52) **U.S. Cl.**
USPC **D6/681**
(58) **Field of Classification Search**
USPC D6/681, 681.1, 681.2, 681.3, 682, 684,
D6/682.5, 672, 673, 675.5, 675, 300, 310,
D6/312, 329, 512; 211/85.26, 85.24, 195;
248/454, 460, 188.2, 176.1, 166, 164
CPC A47G 25/0664; A47G 25/0685; A47G
25/06; A47G 25/0692; A47F 7/24; A47B
61/003; A47B 55/00; D06F 95/002; D06F
57/06
See application file for complete search history.

D465,947 S * 11/2002 Andersen D6/675.1
D466,331 S * 12/2002 Chang D6/681.1
D474,350 S * 5/2003 Sardis D6/681.1
6,644,484 B1 * 11/2003 Sardis A47B 43/00
211/189
D491,742 S * 6/2004 Harwanko D6/681.1
D495,523 S * 9/2004 Harwanko D6/681.1
D495,524 S * 9/2004 Harwanko D6/681.1
D515,844 S * 2/2006 Pryor D6/681
D537,266 S * 2/2007 Ward D6/681.1
D543,382 S * 5/2007 Glassenberg D6/678.4
D602,713 S * 10/2009 Stukenberg D6/681.1
8,959,813 B2 * 2/2015 Denby A47F 5/10
211/175
D736,548 S * 8/2015 Hornsby D6/681.1
9,119,487 B2 * 9/2015 Angvall A47F 5/0081
2006/0065615 A1 * 3/2006 Wang A47B 91/02
211/206
2007/0272642 A1 * 11/2007 Baptiste A47B 43/00
211/201
2012/0074082 A1 * 3/2012 Hornsby A47G 25/0685
211/85.3
2015/0008201 A1 * 1/2015 Qiang A47F 7/24
211/85.3
2015/0097091 A1 * 4/2015 Felsenthal B65B 67/12
248/97

* cited by examiner

Primary Examiner — Eric Goodman
Assistant Examiner — Clese Moore, Jr.
(74) *Attorney, Agent, or Firm* — Husch Blackwell LLP

(56) **References Cited**
U.S. PATENT DOCUMENTS

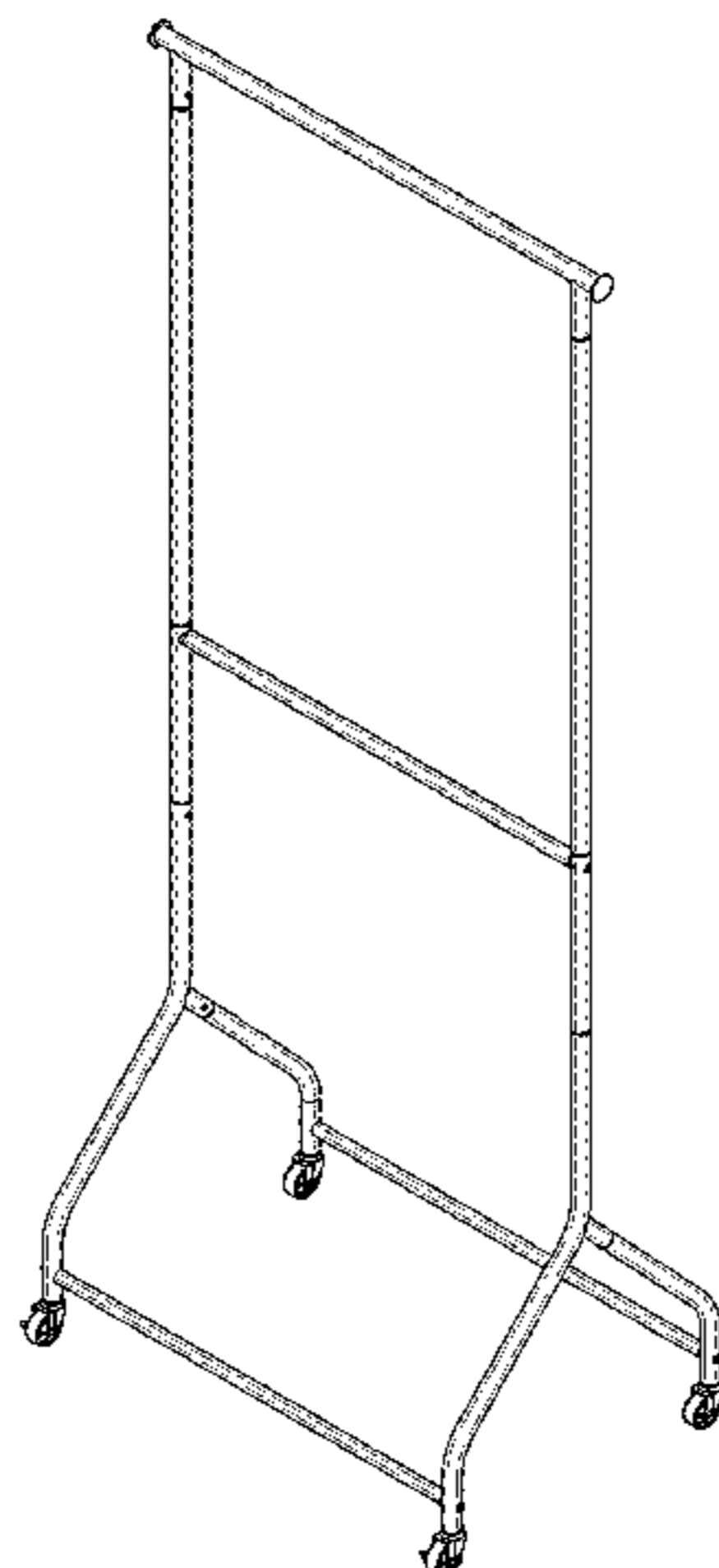
D156,008 S * 11/1949 Hokpins D6/681
3,303,938 A * 2/1967 Solomon A47F 7/24
211/182
4,054,209 A * 10/1977 Solomon A47F 7/24
211/208
D304,528 S * 11/1989 Handler D6/681.1
D304,650 S * 11/1989 Price 108/119
D327,379 S * 6/1992 Driscoll D6/681.1
D328,397 S * 8/1992 Handler D6/681
5,617,962 A * 4/1997 Chen A47G 25/0664
211/204
D450,948 S * 11/2001 Stafford D6/681.1
D451,300 S * 12/2001 Stafford D6/681.1
D456,167 S * 4/2002 Harwanko D6/548
D465,352 S * 11/2002 Kim D6/681

(57) **CLAIM**
We claim the ornamental design for a double rod garment rack, as shown and described.

DESCRIPTION

FIG. 1 is a front perspective view of a double rod garment rack according to our new design;
FIG. 2 is a front elevation view of the of the rack shown in FIG. 1;
FIG. 3 is a rear elevation view of the rack shown in FIG. 1;
FIG. 4 is both a right side view of the rack shown in FIG. 1 and the left side is a mirror image of the right side;
FIG. 5 is a top view of the rack shown in FIG. 1; and,
FIG. 6 is a bottom view of the rack shown in FIG. 1.

1 Claim, 5 Drawing Sheets



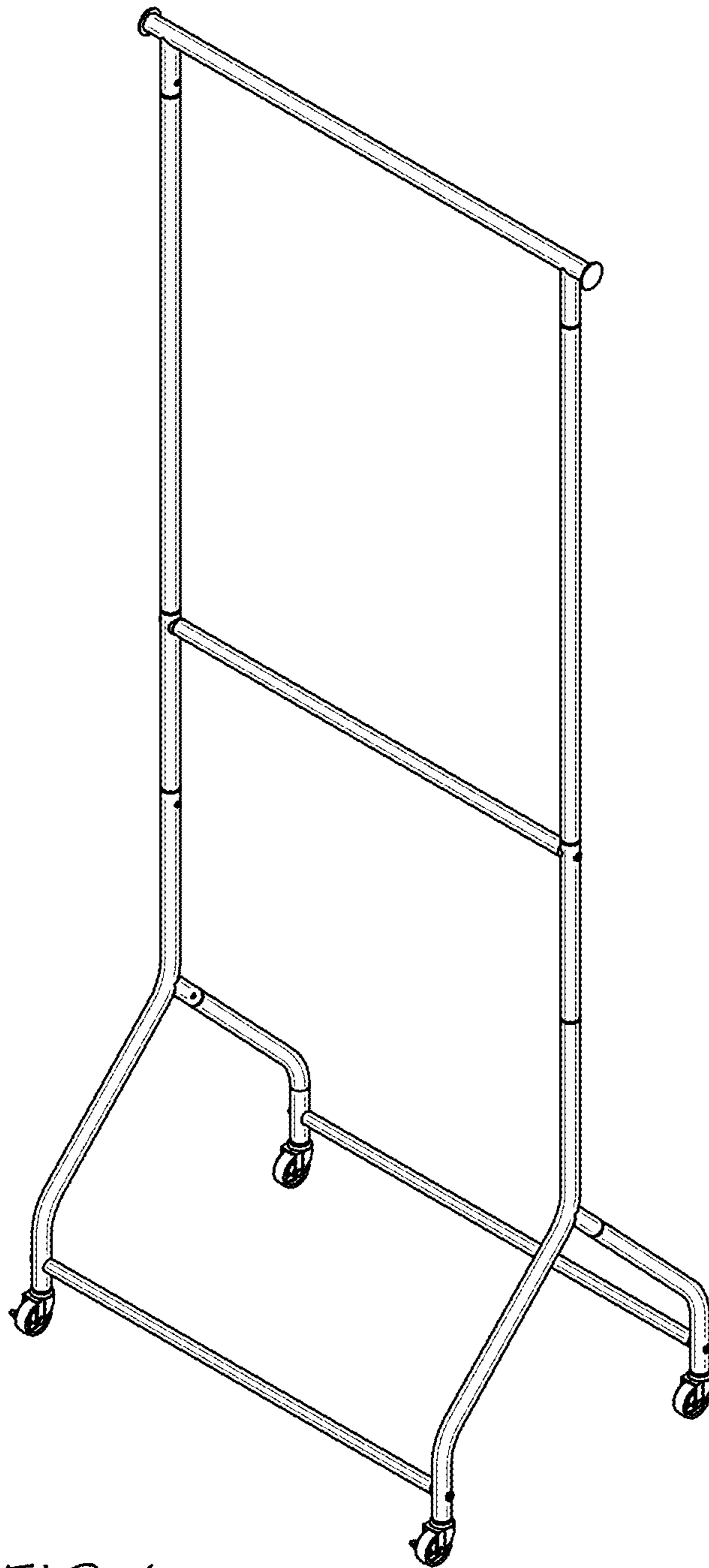


FIG. 1

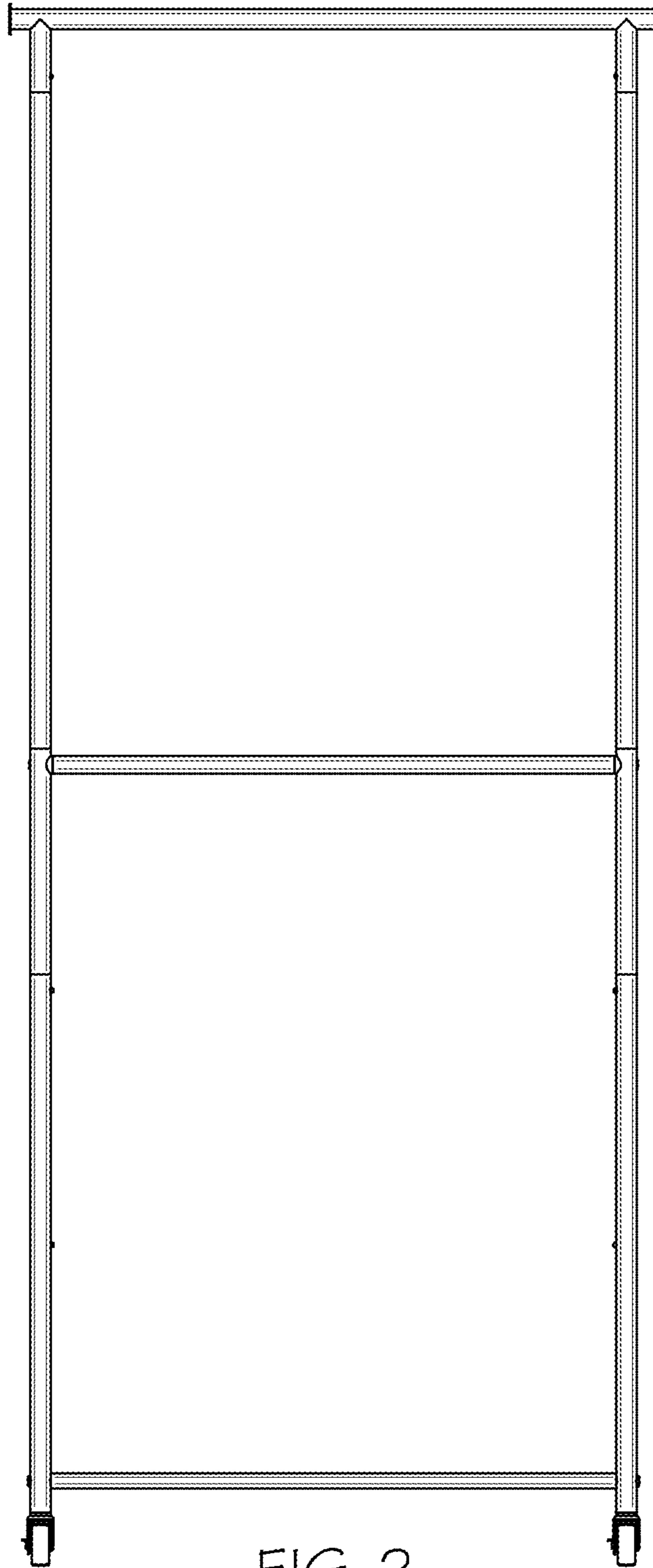


FIG. 2

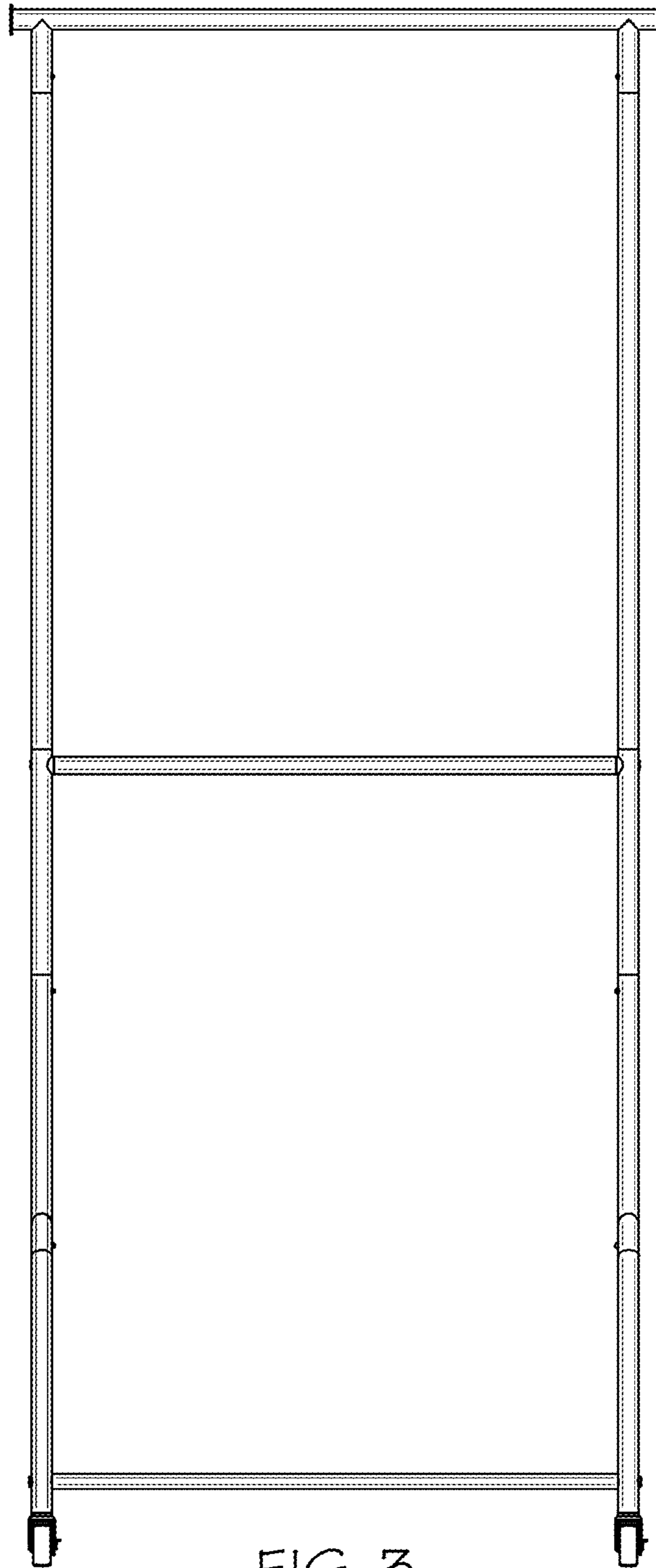


FIG. 3

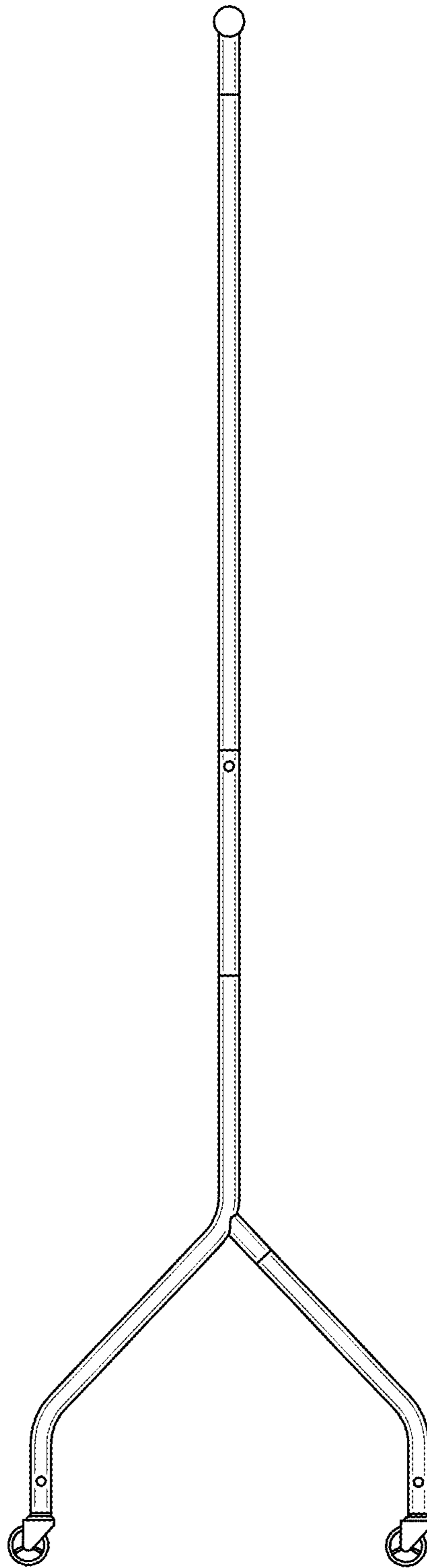


FIG. 4

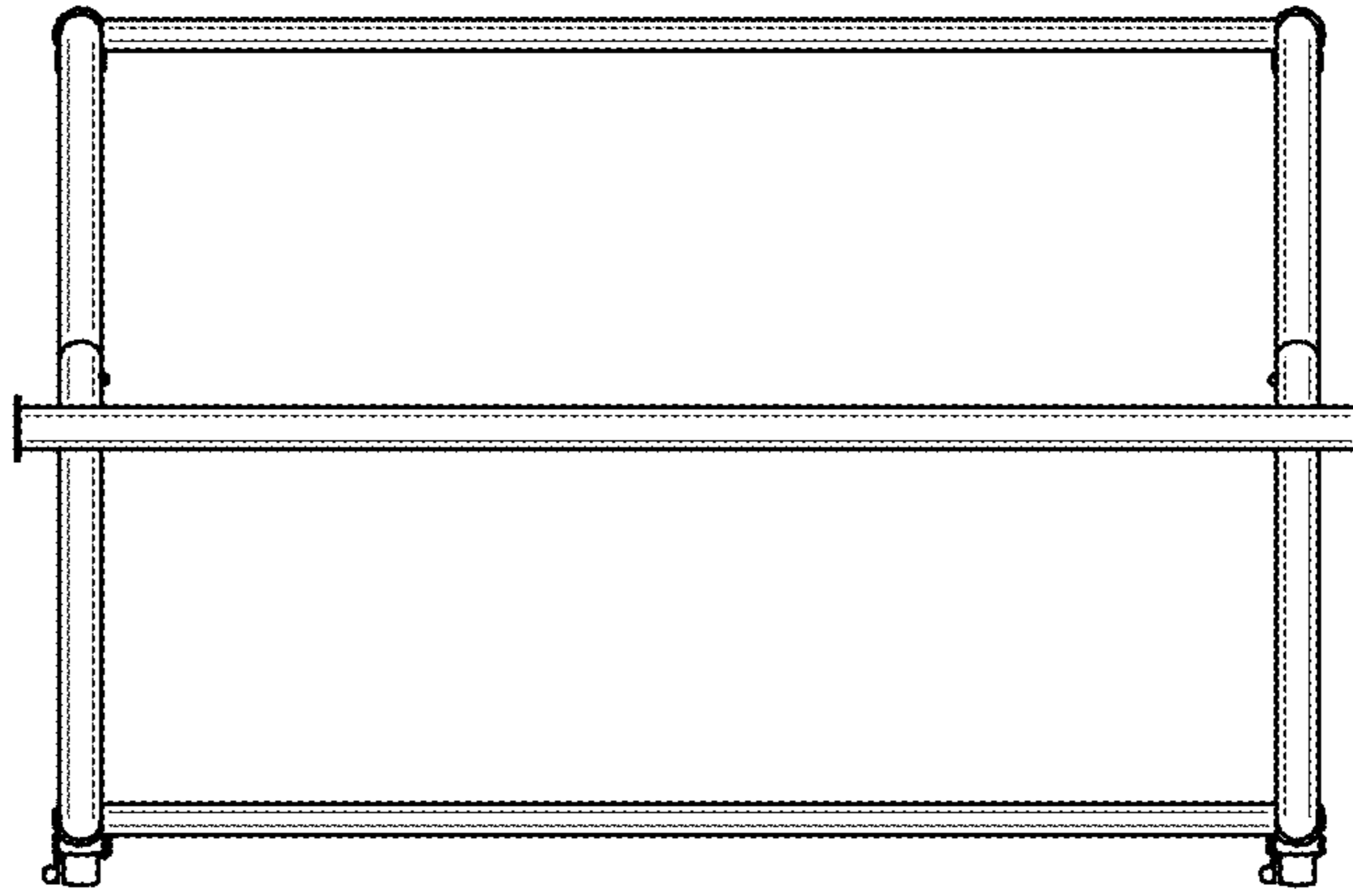


FIG. 5

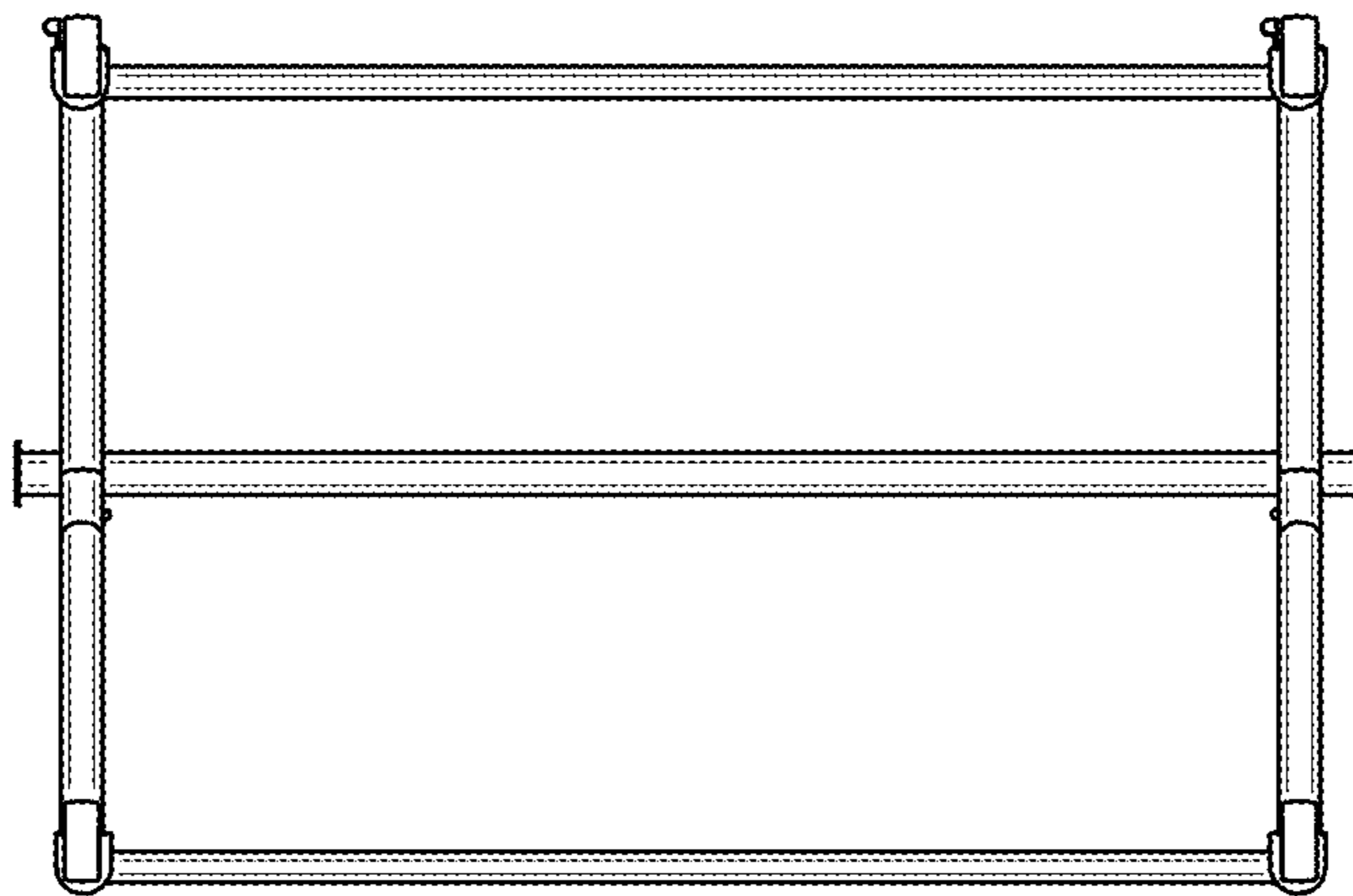


FIG. 6