



US00D753933S

(12) **United States Design Patent**
Ng

(10) **Patent No.:** **US D753,933 S**
(45) **Date of Patent:** **** Apr. 19, 2016**

(54) **END CAP FOR DUAL ROLLER SHADE**

(71) Applicant: **ZMC Metal Coating Inc.**, Woodbridge (CA)

(72) Inventor: **Philip Ng**, Thornhill (CA)

(73) Assignee: **ZMC Metal Coating Inc.**, Woodbridge (CA)

(**) Term: **14 Years**

(21) Appl. No.: **29/524,437**

(22) Filed: **Apr. 20, 2015**

(30) **Foreign Application Priority Data**

Feb. 4, 2015 (CA) 160778

(51) **LOC (10) Cl.** **06-10**

(52) **U.S. Cl.**
USPC **D6/580**

(58) **Field of Classification Search**

USPC D6/575, 576, 577, 578, 579, 580, 581;
D8/17, 349, 350, 351, 353, 369, 376,
D8/378; 160/84.01, 84.02, 84.03, 84.04,
160/84.05, 84.06, 84.07, 84.08, 106, 107,
160/108, 111, 113, 130, 133, 166.1, 176
CPC E06B 3/30; E06B 3/92; E06B 3/285;
E06B 9/00; E06B 9/02; E06B 9/24; E06B
9/26; E06B 9/262; E06B 2009/2622; A47H
1/00; A47H 1/02; A47H 21/00; A47H 23/00;
A47H 23/02; A47H 23/04; A47H 23/10;
A47H 2001/0205; A47H 2023/025

See application file for complete search history.

(56) **References Cited**

U.S. PATENT DOCUMENTS

5,205,334 A * 4/1993 Judkins B23Q 3/15526
160/108
D440,448 S * 4/2001 Horsten D6/580
6,666,251 B2 * 12/2003 Ikle E06B 9/11
160/120

D686,434 S * 7/2013 Marocco D6/575
8,820,386 B2 * 9/2014 Mullet E06B 9/40
160/133
D740,589 S * 10/2015 Ng D6/580
2008/0149280 A1 * 6/2008 Smith E06B 9/262
160/121.1
2012/0222824 A1 * 9/2012 Lin E06B 9/262
160/25
2012/0291964 A1 * 11/2012 Marocco E06B 9/262
160/120
2013/0098564 A1 * 4/2013 Jang E06B 9/40
160/120
2013/0192773 A1 * 8/2013 Wills E06B 9/42
160/323.1
2014/0251558 A1 * 9/2014 Chou E06B 9/42
160/323.1
2015/0247362 A1 * 9/2015 Kirby E06B 9/44
160/310

* cited by examiner

Primary Examiner — Karen S Acker

Assistant Examiner — Wendy Arminio

(74) *Attorney, Agent, or Firm* — Honigman Miller Schwartz
and Cohn LLP

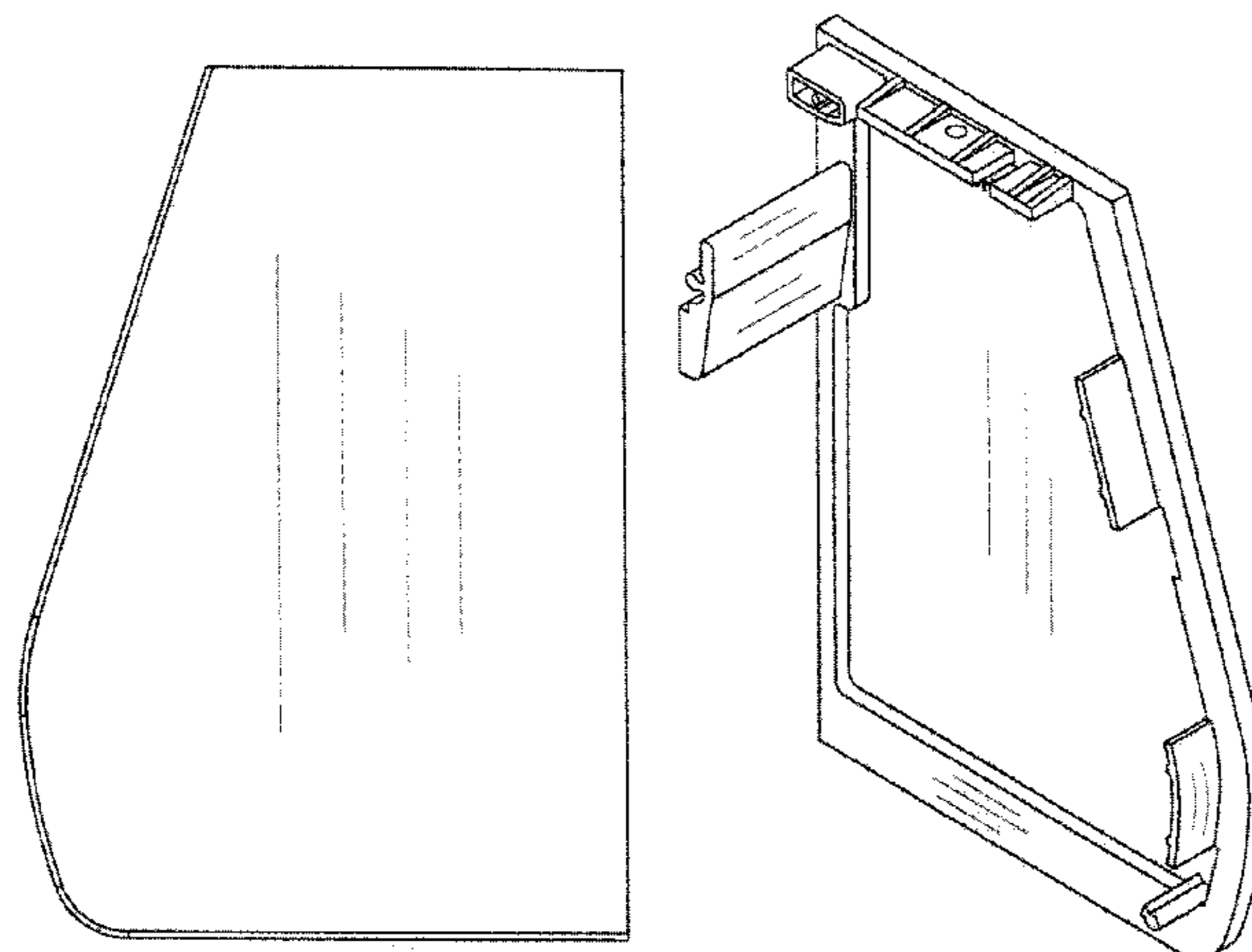
(57) **CLAIM**

The ornamental design for an end cap for dual roller shade, as shown and described.

DESCRIPTION

FIG. 1 is a right side elevational view of the end cap for dual roller shade;
FIG. 2 is a left side elevational view of the end cap for dual roller shade;
FIG. 3 is a rear elevational view of the end cap for dual roller shade;
FIG. 4 is a front elevational view of the end cap for dual roller shade;
FIG. 5 is a top plan view of the end cap for dual roller shade;
FIG. 6 is a bottom plan view of the end cap for dual roller shade; and,
FIG. 7 is a left side perspective view of the end cap for dual roller shade.

1 Claim, 7 Drawing Sheets



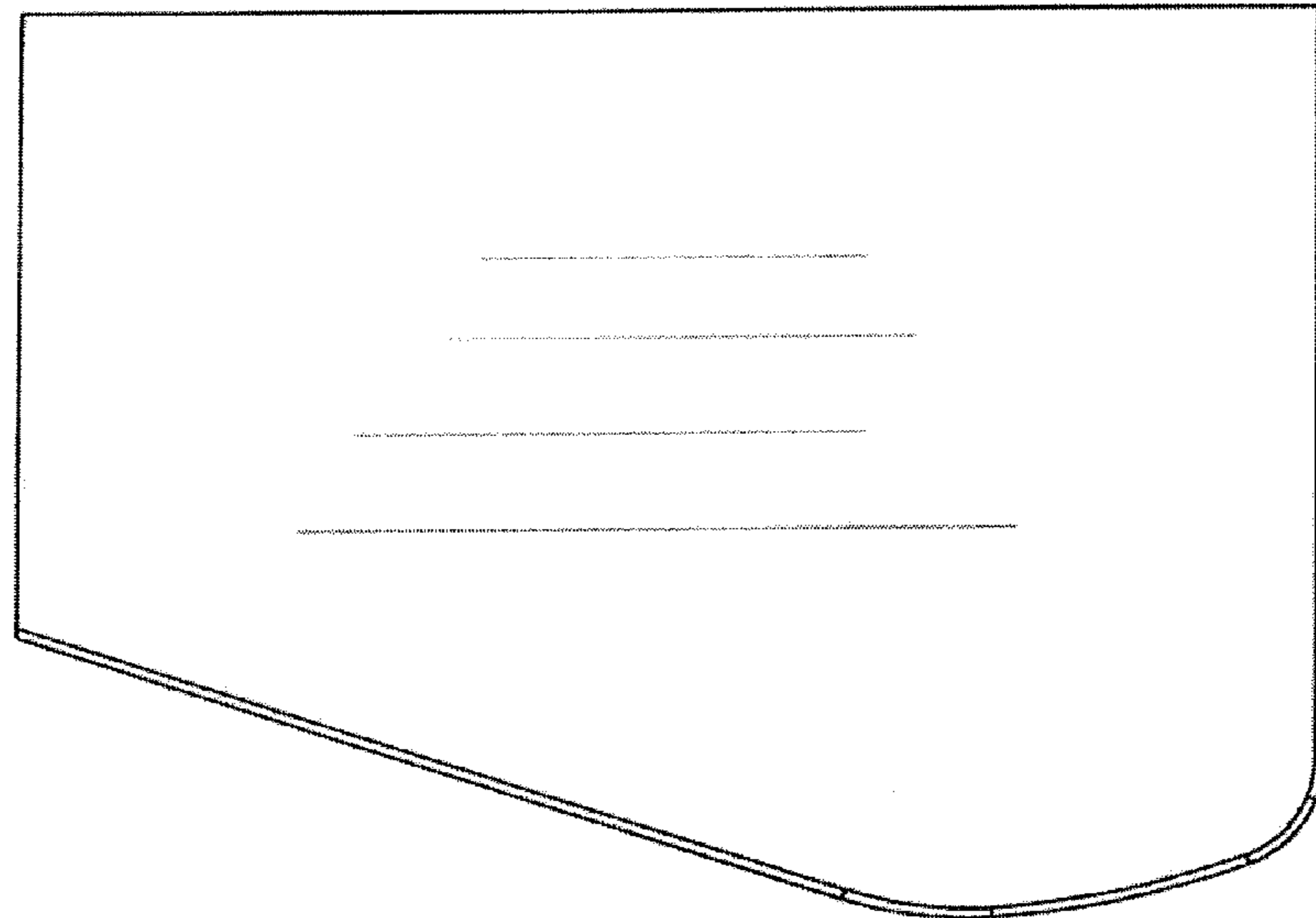


fig 1

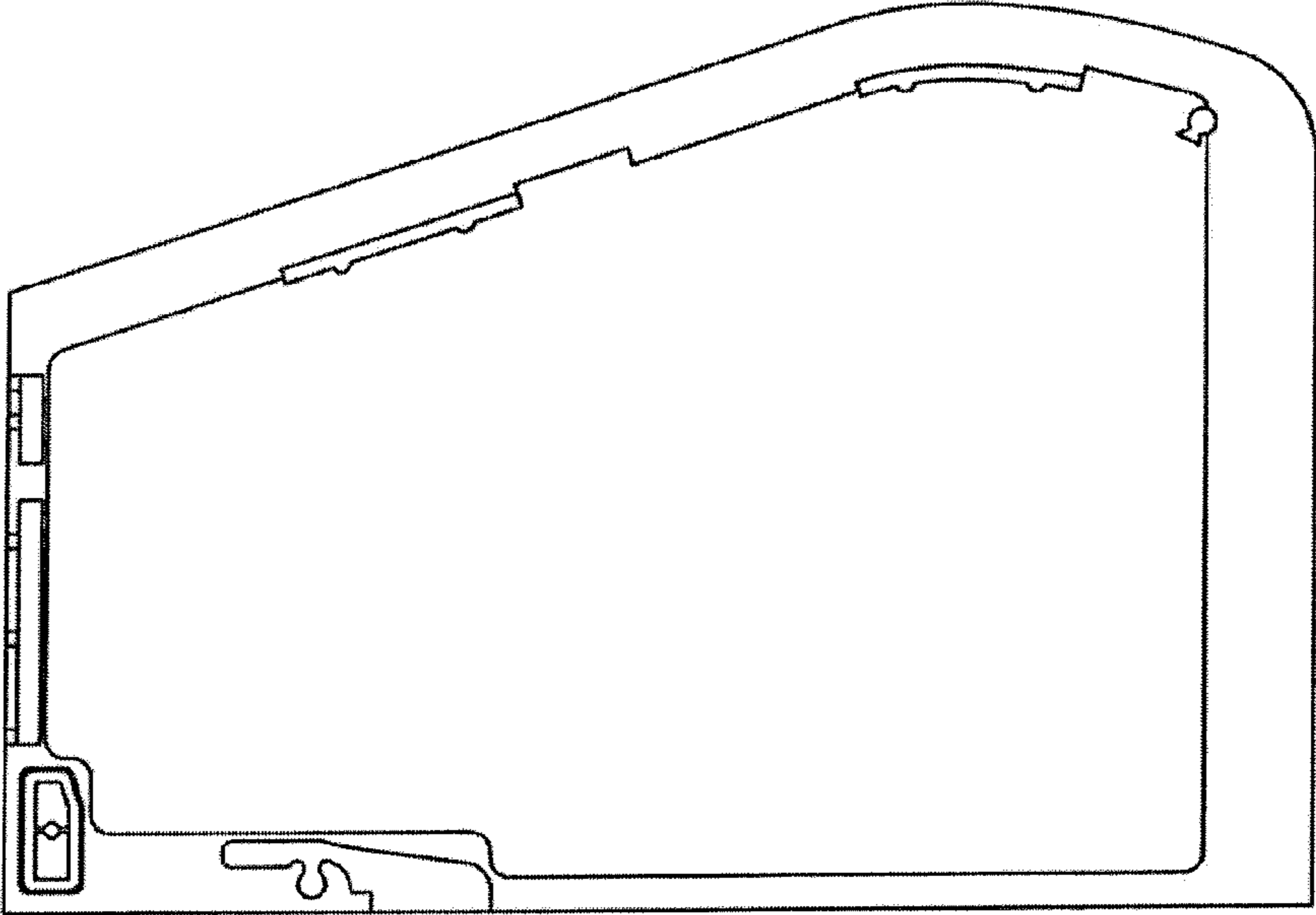


fig 2

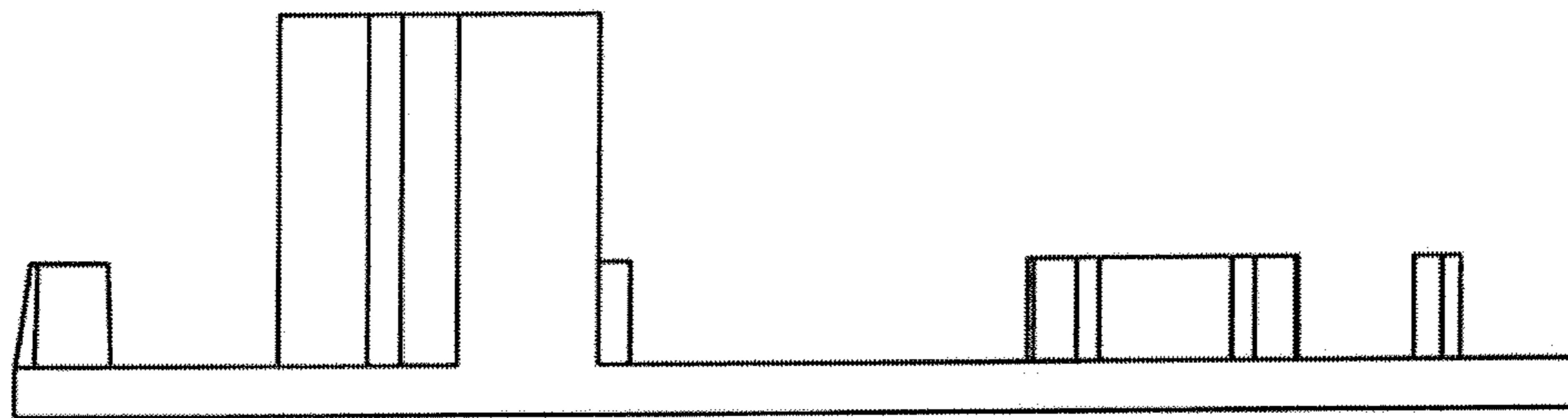


fig 3

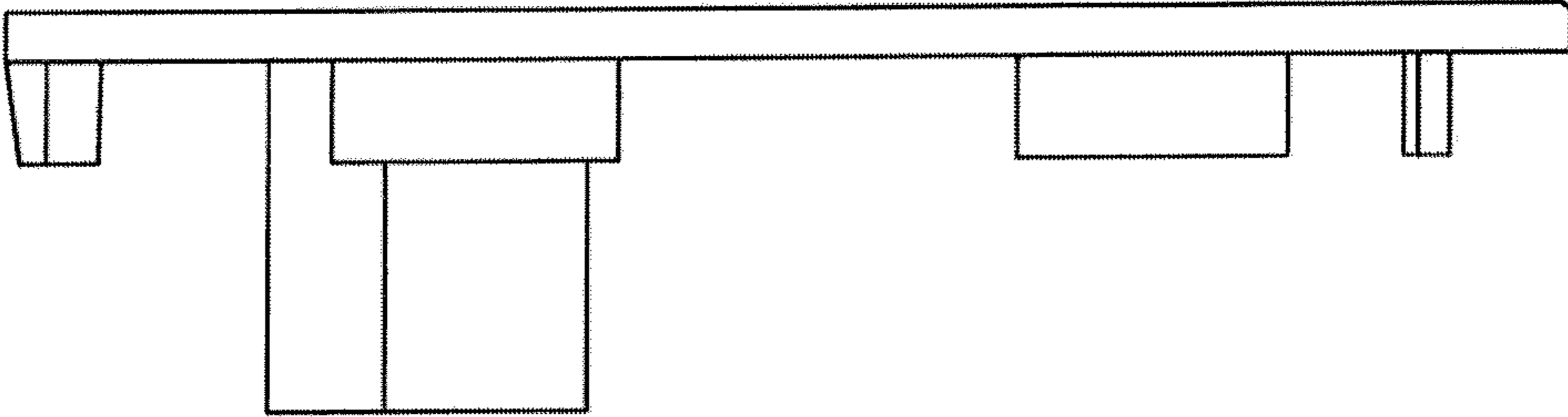


fig 4

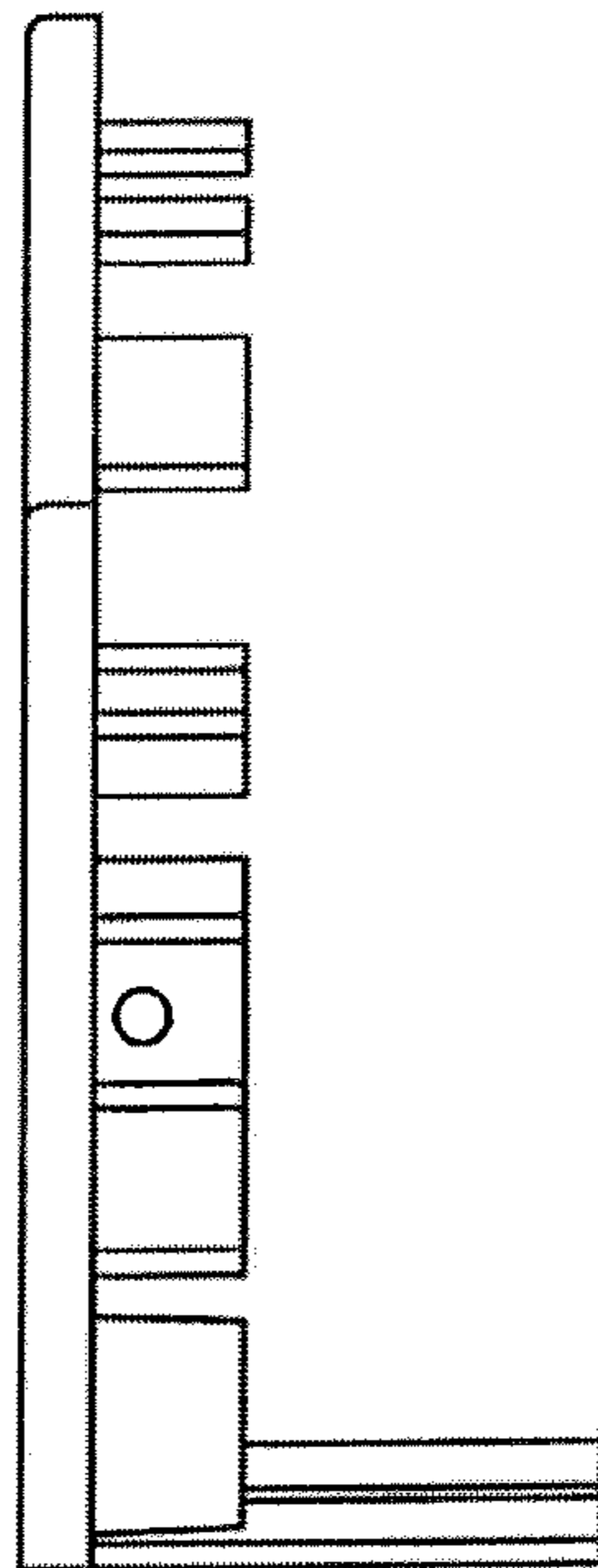


fig 5

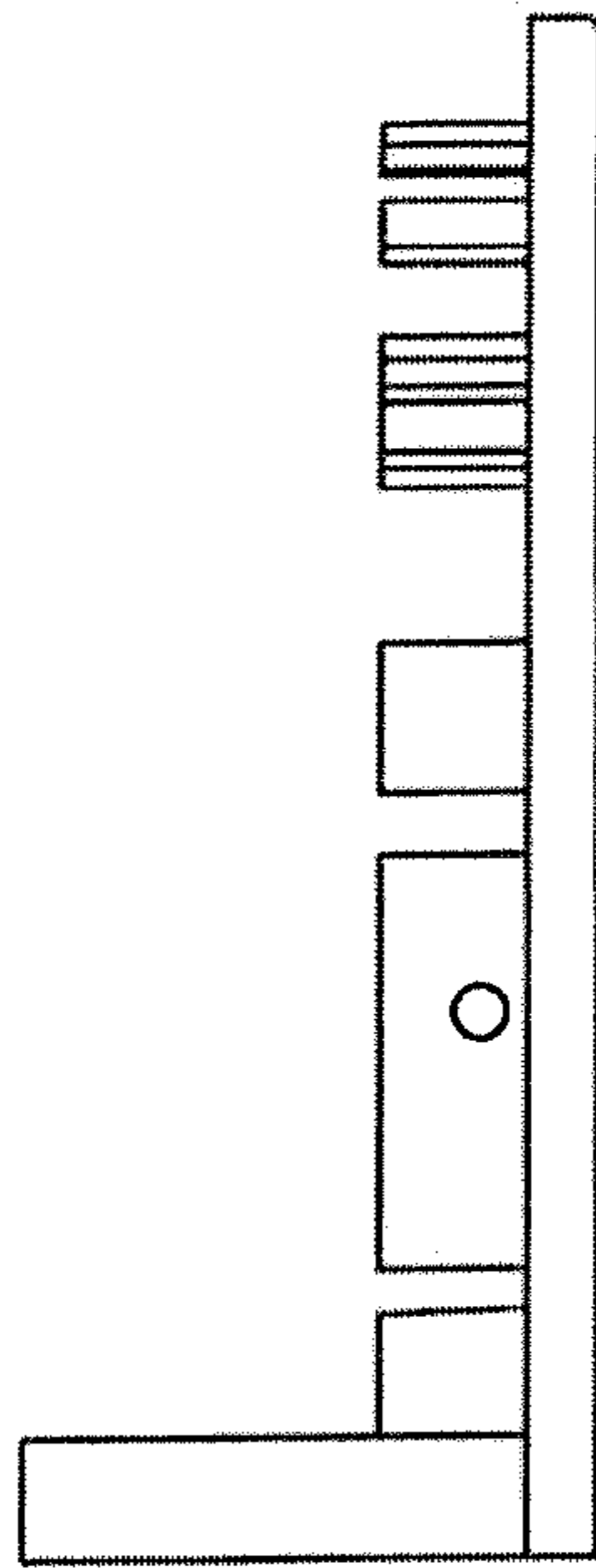


fig 6

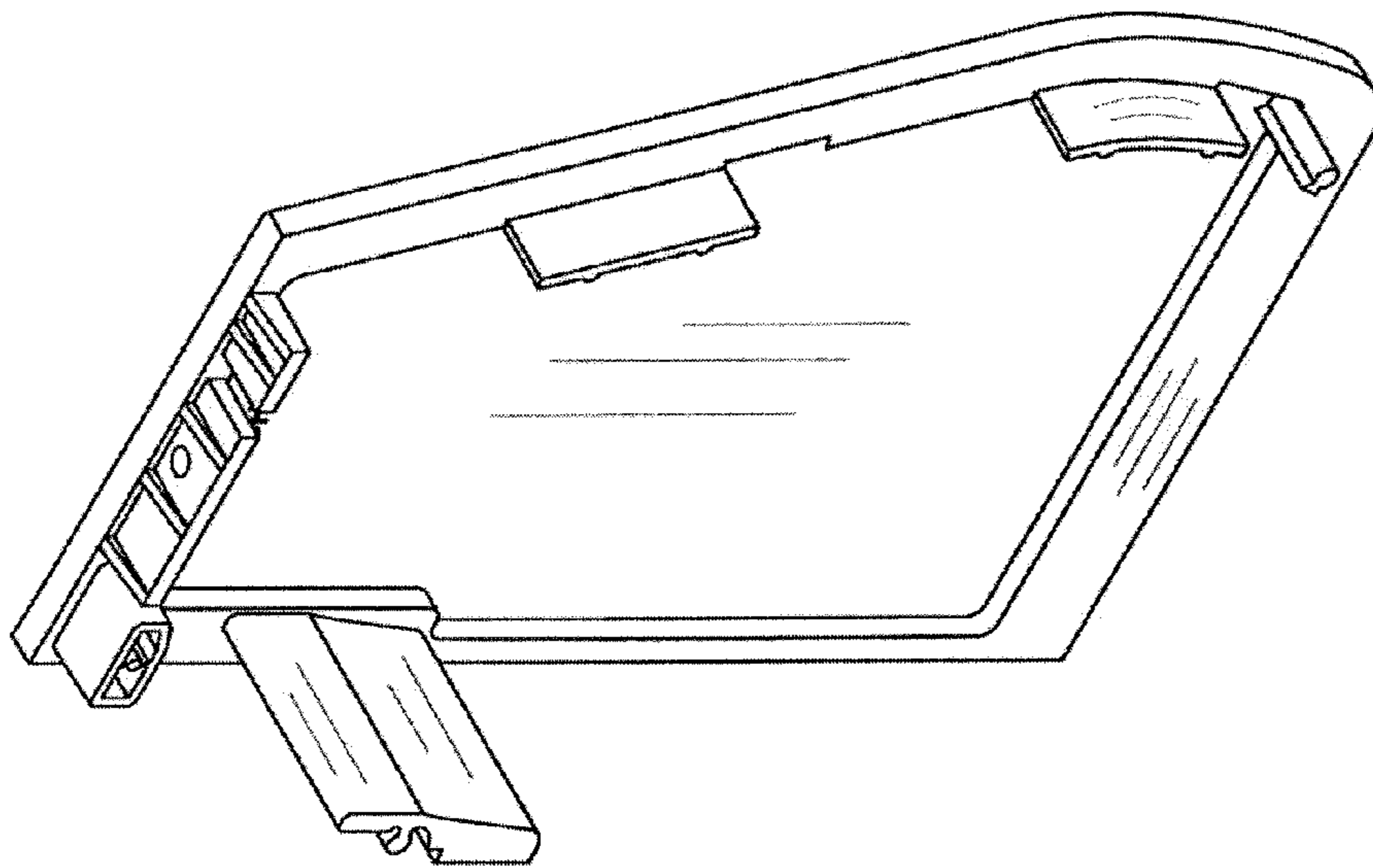


fig 7