



US00D753932S

(12) **United States Design Patent**  
**Bryant**

(10) **Patent No.:** **US D753,932 S**

(45) **Date of Patent:** **\*\* Apr. 19, 2016**

- (54) **GOLF EQUIPMENT HOLDER FOR CART**
- (71) Applicant: **Timothy Bryant**, Palm Desert, CA (US)
- (72) Inventor: **Timothy Bryant**, Palm Desert, CA (US)
- (\*\*) Term: **14 Years**
- (21) Appl. No.: **29/482,216**
- (22) Filed: **Feb. 14, 2014**

6,641,192 B2 11/2003 Eschenfelder  
 D519,703 S \* 4/2006 Wu ..... D34/15  
 7,481,311 B1 1/2009 Old  
 7,597,224 B2 10/2009 Jacobs

(Continued)

**OTHER PUBLICATIONS**

Office Action mailed Dec. 6, 2012 for U.S. Appl. No. 13/085,556.  
 (Continued)

*Primary Examiner* — Brian N Vinson

**Related U.S. Application Data**

- (63) Continuation-in-part of application No. 13/085,556, filed on Apr. 13, 2011, now abandoned.
- (51) **LOC (10) Cl.** ..... **08-08**
- (52) **U.S. Cl.**  
USPC ..... **D6/552**
- (58) **Field of Classification Search**  
USPC ..... D6/552; D12/16; D21/789; 224/274;  
206/391, 575; 211/70.2  
See application file for complete search history.

(57) **CLAIM**

The ornamental design for a golf equipment holder for cart, as shown and described.

**DESCRIPTION**

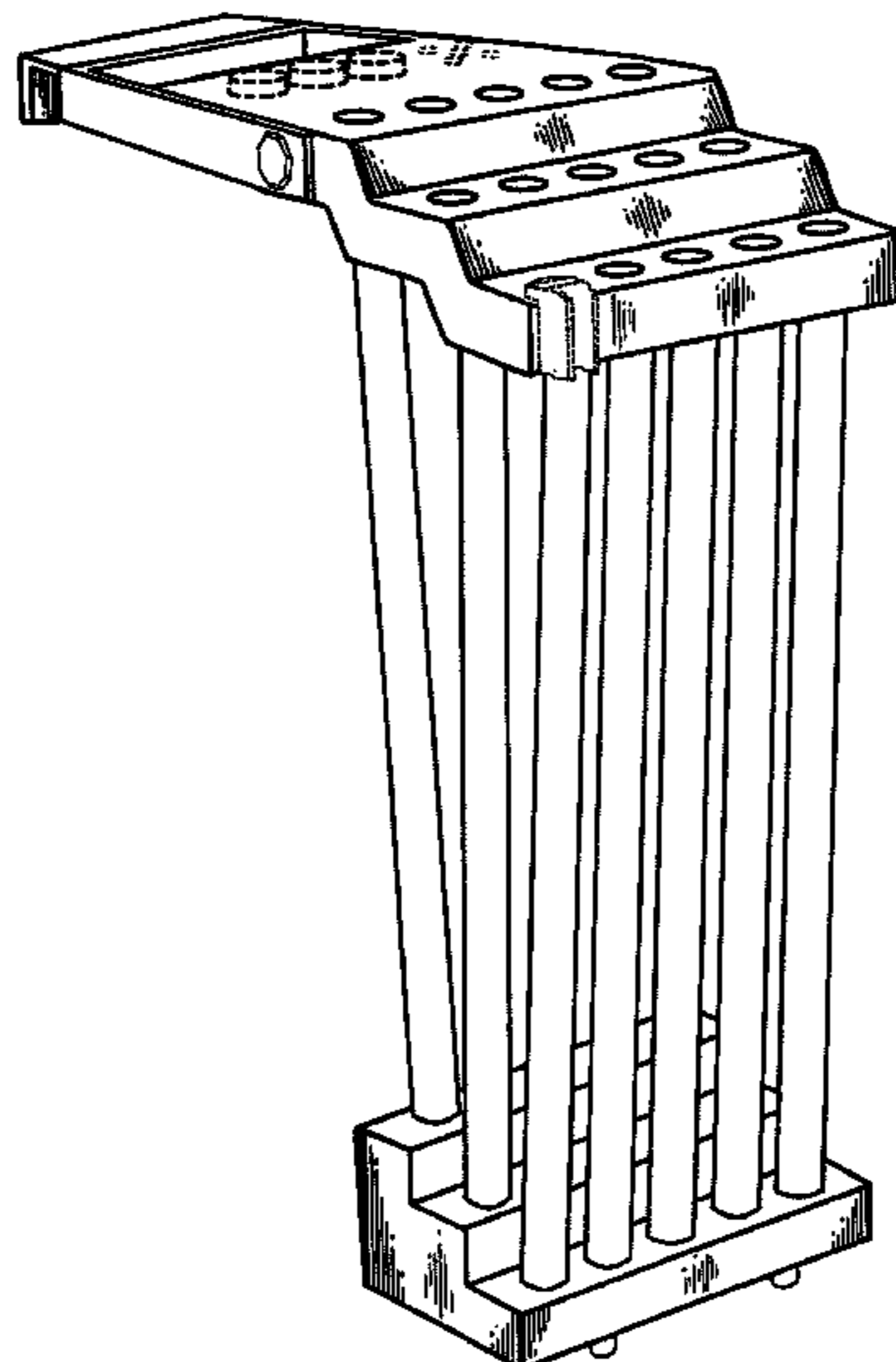
FIG. 1 is a perspective view of a golf equipment holder for cart showing an embodiment of my design;  
 FIG. 2 is a back elevational view of a golf equipment holder for cart;  
 FIG. 3 is a front elevational view of a golf equipment holder for cart;  
 FIG. 4 is a right side elevational view of a golf equipment holder for cart;  
 FIG. 5 is a left side elevational view of a golf equipment holder for cart;  
 FIG. 6 is a top plan view of a golf equipment holder for cart;  
 FIG. 7 is a bottom plan view of a golf equipment holder for cart;  
 FIG. 8 is a back elevational view of a golf equipment holder for cart with golf equipment held by the golf equipment holder for cart; and,  
 FIG. 9 is a left side elevational view of a golf equipment holder for cart where the holder is mounted on a cart.  
 The broken lines used on the cart in the drawings are for illustrative purposes only and form no part of the claimed design.

(56) **References Cited**

**U.S. PATENT DOCUMENTS**

2,761,891	A	9/1956	George	
3,042,443	A	7/1962	Laher	
3,142,853	A	8/1964	Hensley	
4,194,547	A	3/1980	Sidor et al.	
D302,886	S *	8/1989	Padilla	..... D34/15
5,069,481	A *	12/1991	Strange	..... D12/16
5,094,345	A	3/1992	Yonnetti	
5,555,589	A	9/1996	Moultrie	
5,573,122	A *	11/1996	Williams	..... 211/70.2
5,718,301	A	2/1998	Williams	
D394,291	S *	5/1998	Beltran et al.	..... D6/552
D396,924	S *	8/1998	Cardenas	..... D34/15
D401,730	S *	11/1998	Liao	..... D34/15
5,829,604	A *	11/1998	Brophy	..... 211/70.2
D427,431	S	7/2000	Jensen	
6,299,000	B1	10/2001	Cabrera	
6,394,287	B2	5/2002	Cabrera	

**1 Claim, 9 Drawing Sheets**



(56)

**References Cited**

U.S. PATENT DOCUMENTS

8,210,348 B1 \* 7/2012 Chapman et al. .... 206/391  
D714,511 S \* 9/2014 Kuklik ..... D34/15  
2005/0000987 A1 1/2005 Heidenreich  
2006/0091089 A1 5/2006 Christiansen et al.  
2008/0135591 A1 6/2008 Cassoni

2008/0217194 A1 9/2008 Lewter  
2010/0187252 A1 7/2010 Smith  
2012/0261447 A1 10/2012 Bryant

OTHER PUBLICATIONS

Office Action mailed Aug. 14, 2013 for U.S. Appl. No. 13/085,556.

\* cited by examiner

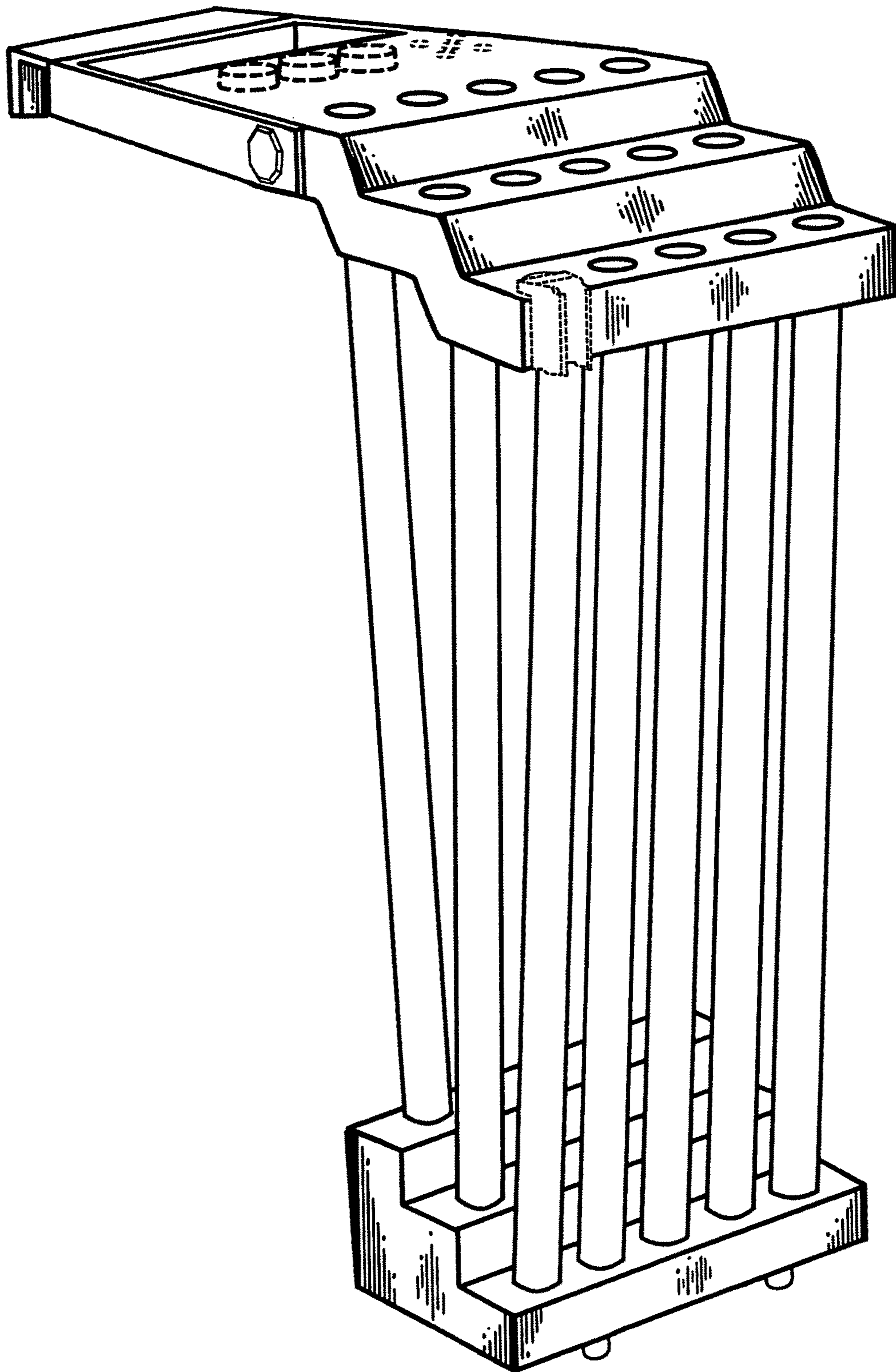


FIG. 1

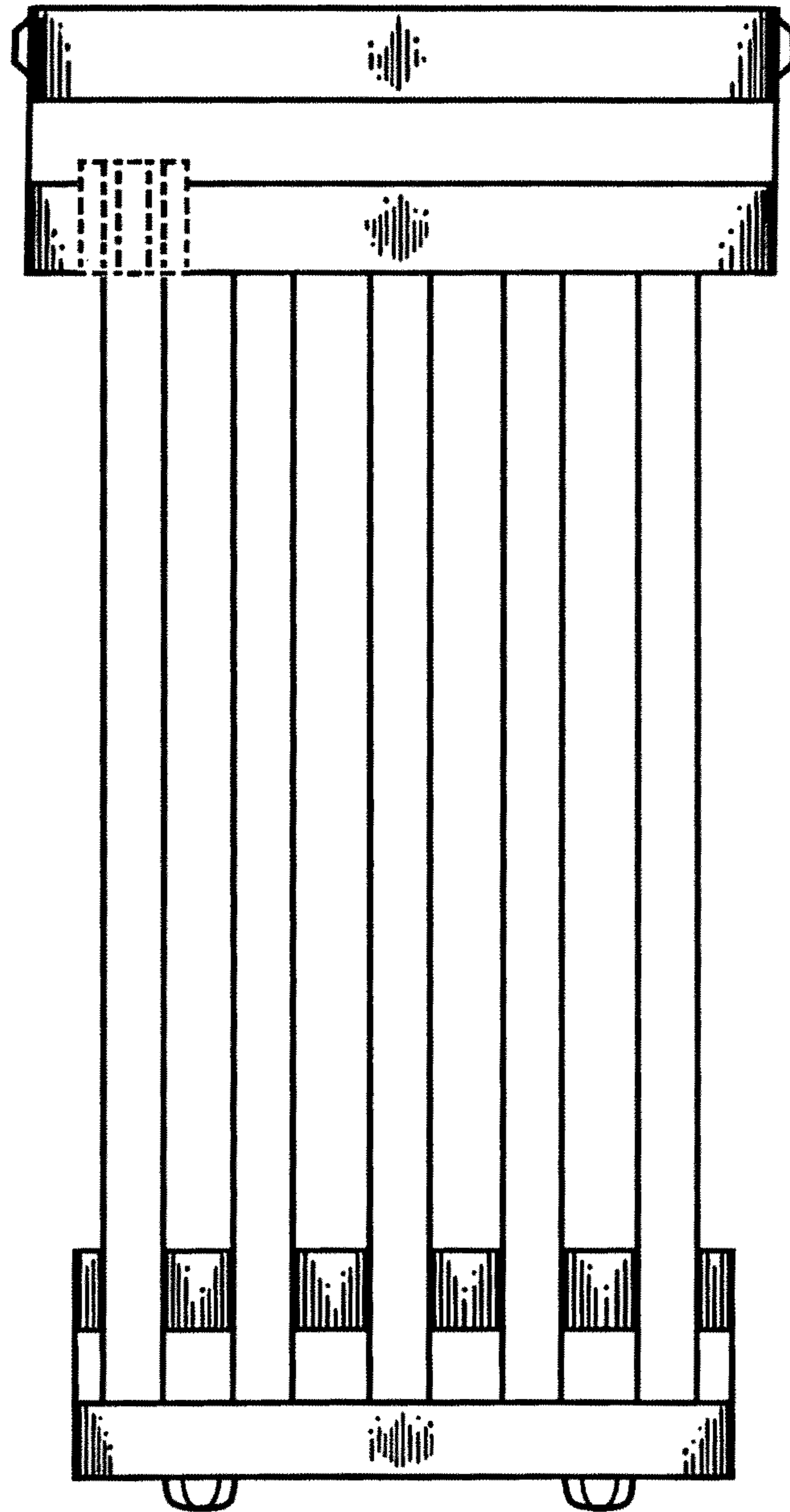
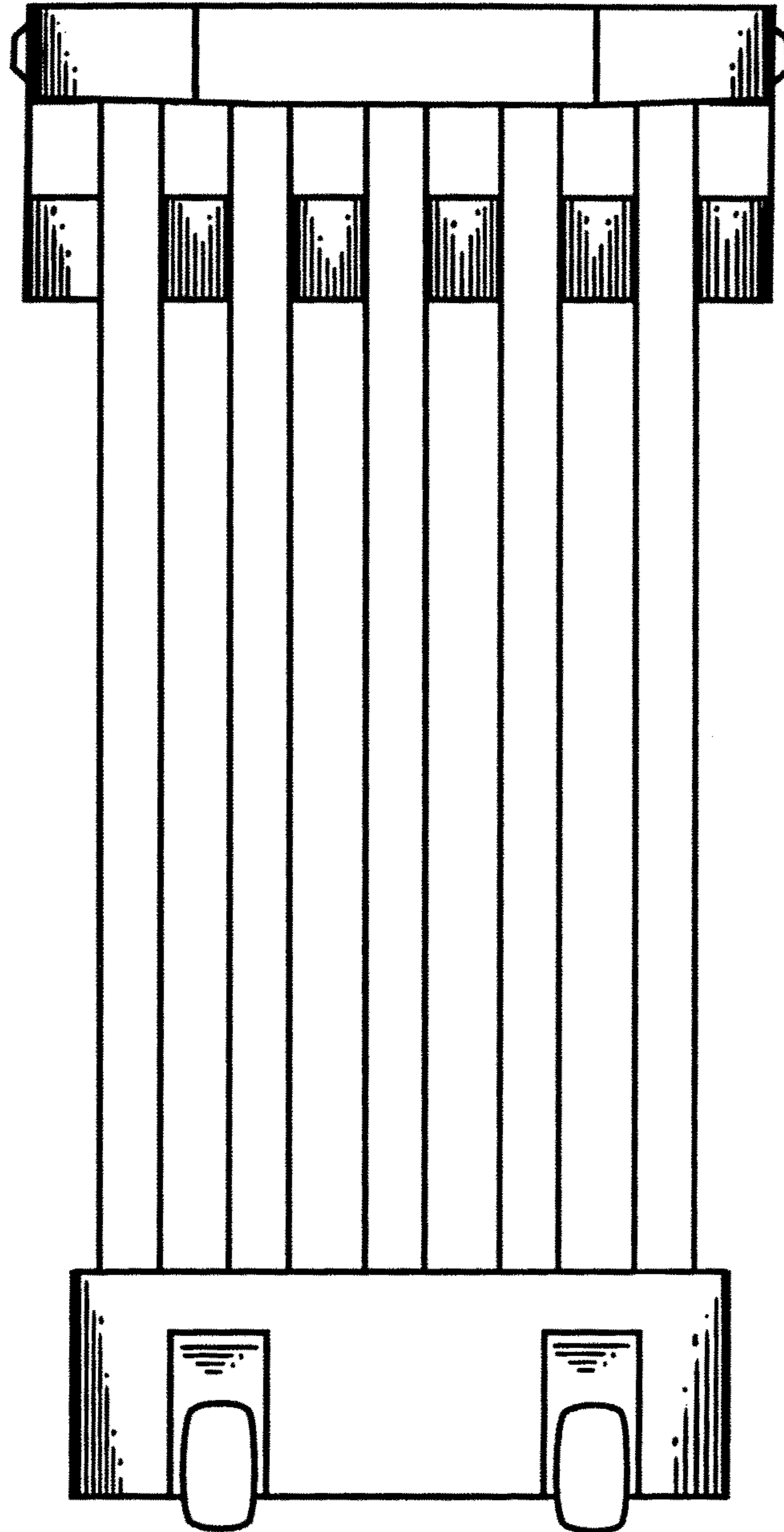


FIG. 2



**FIG. 3**

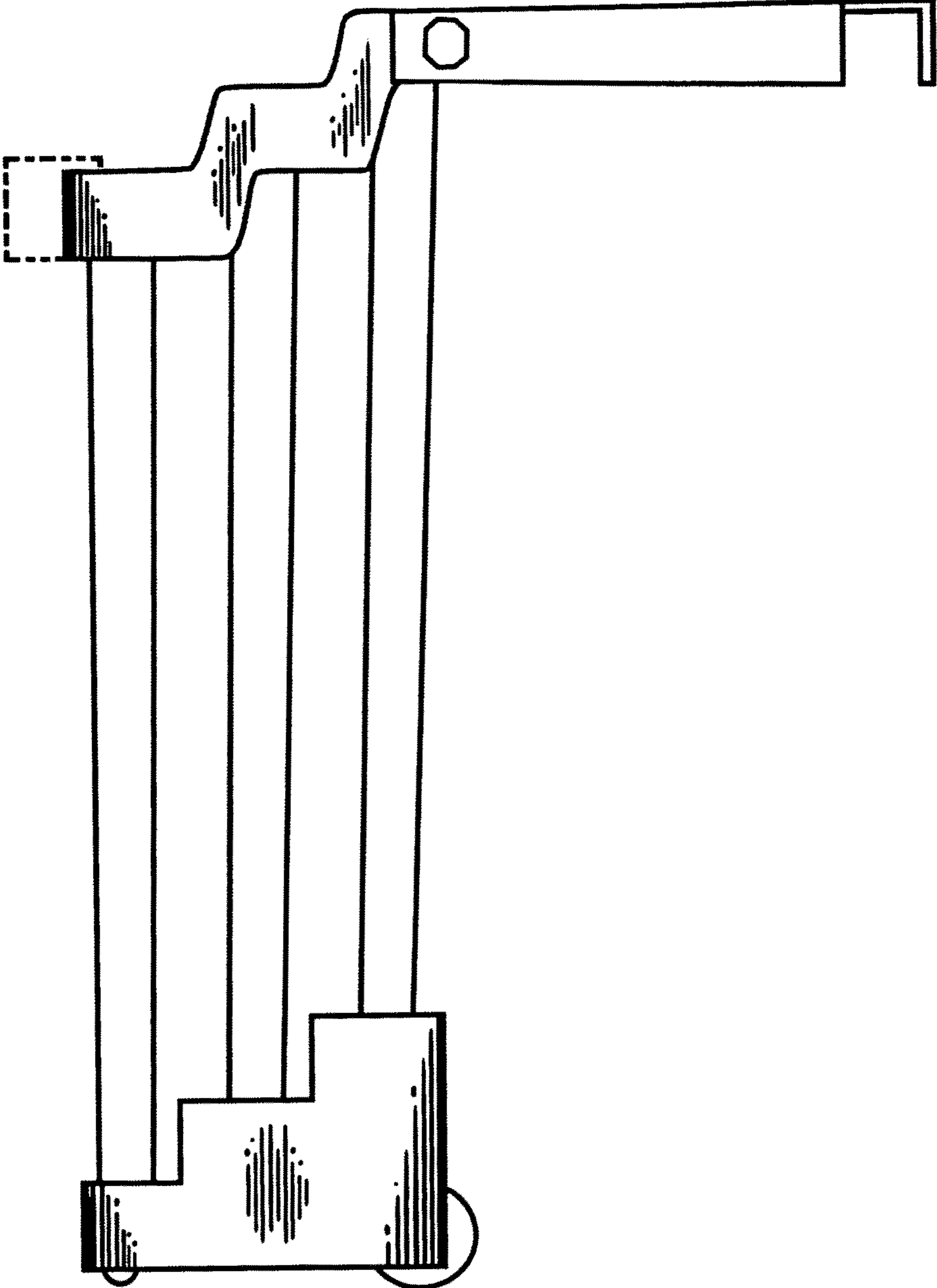
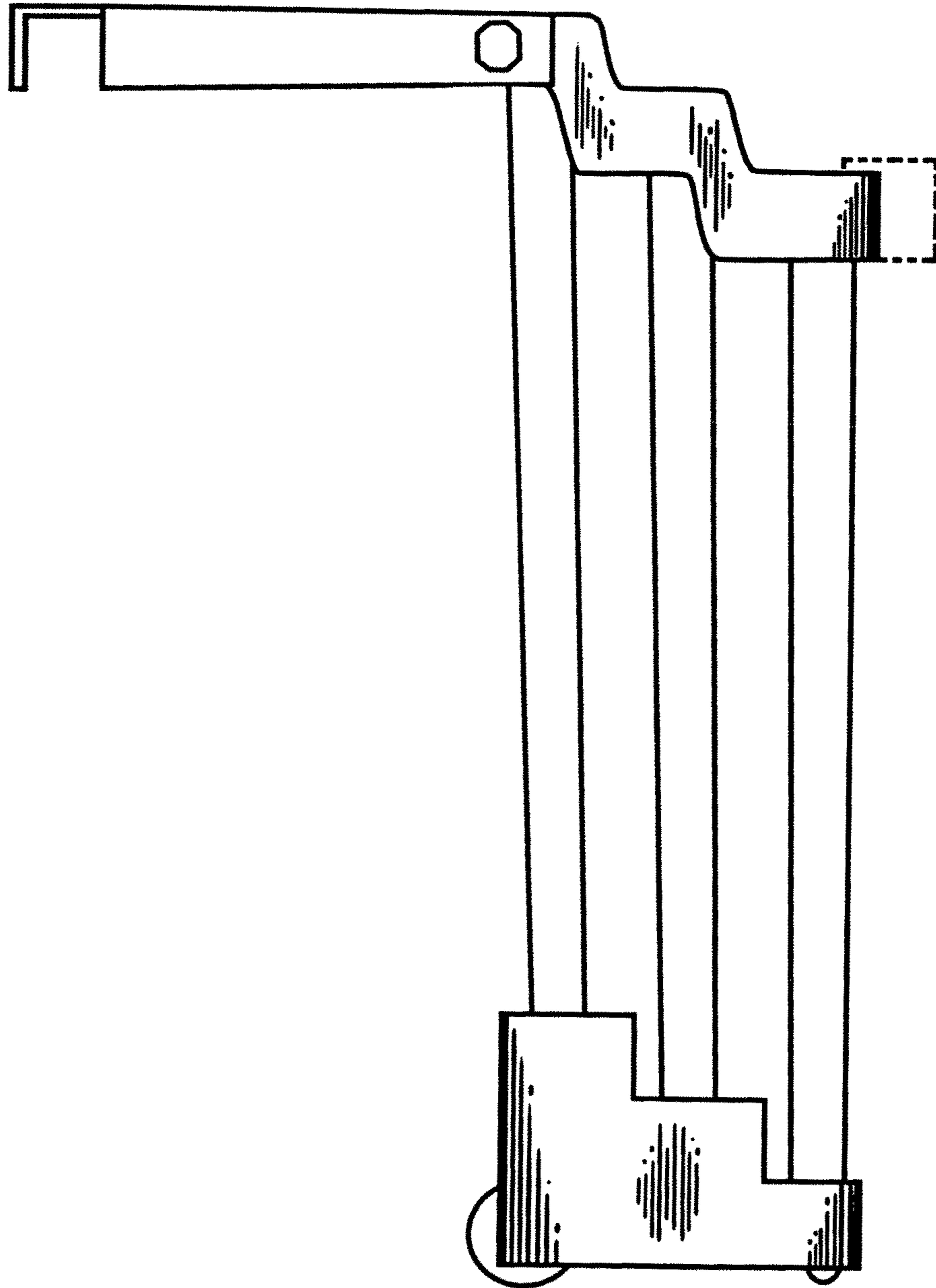
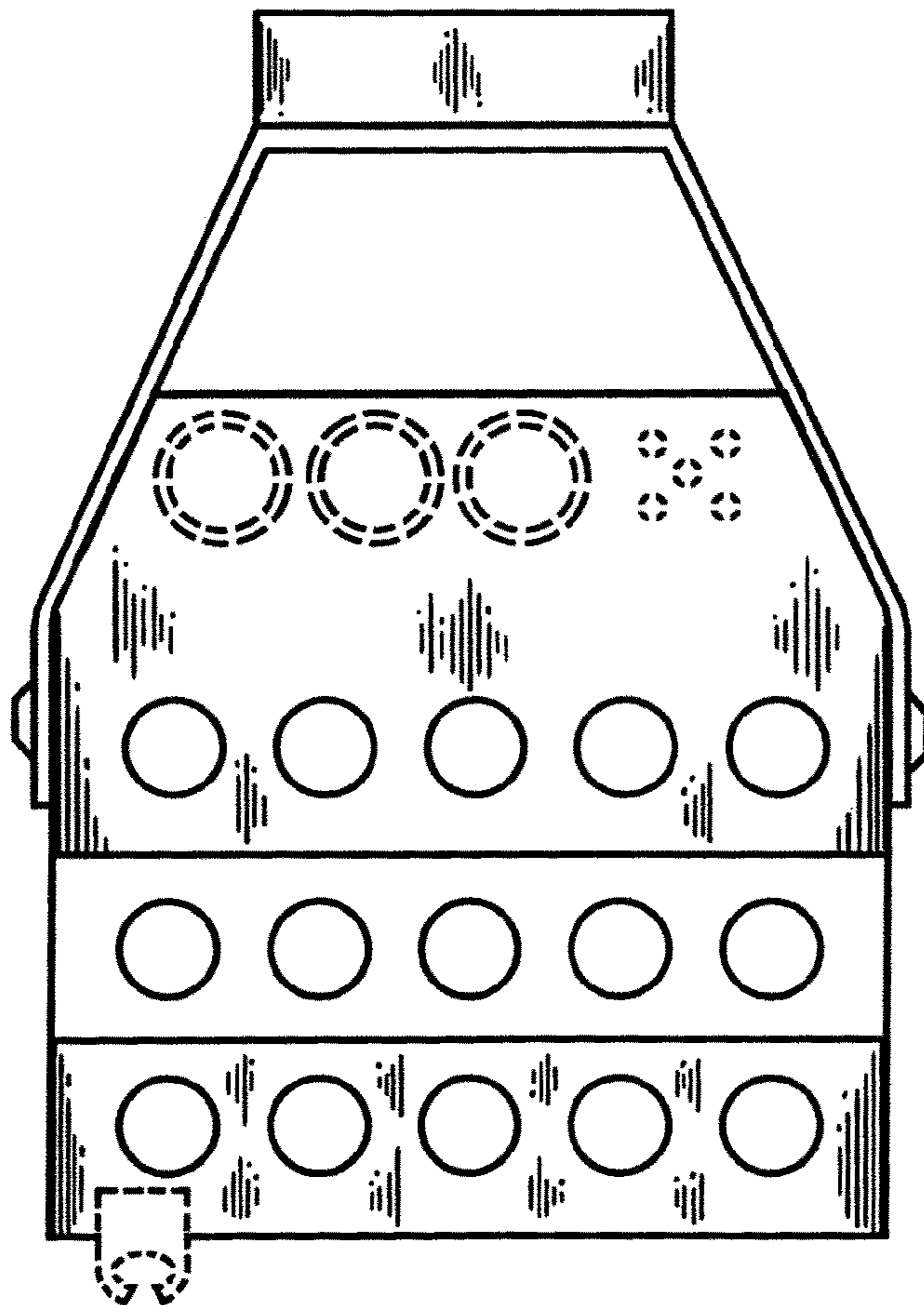


FIG. 4



**FIG. 5**



**FIG. 6**



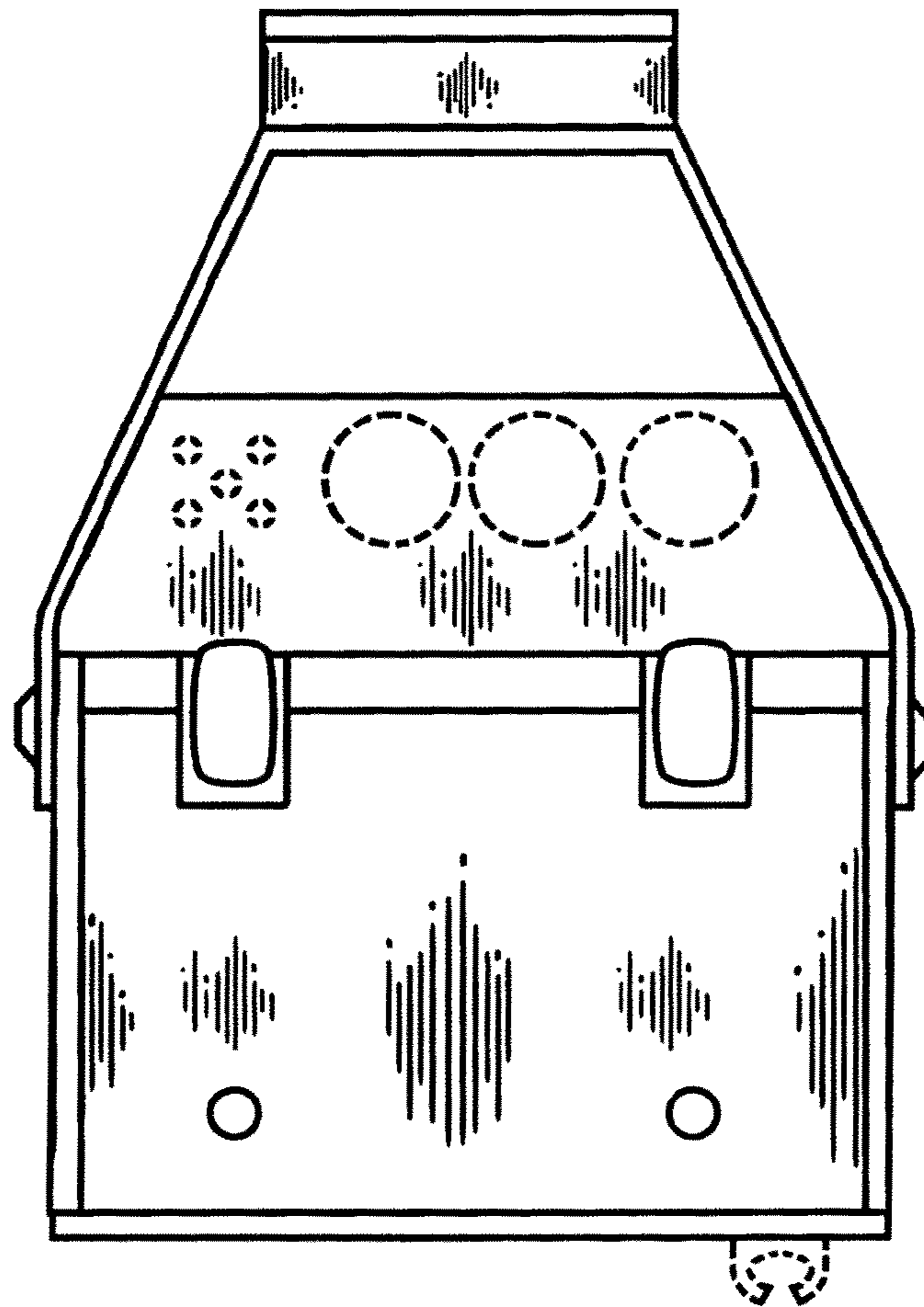
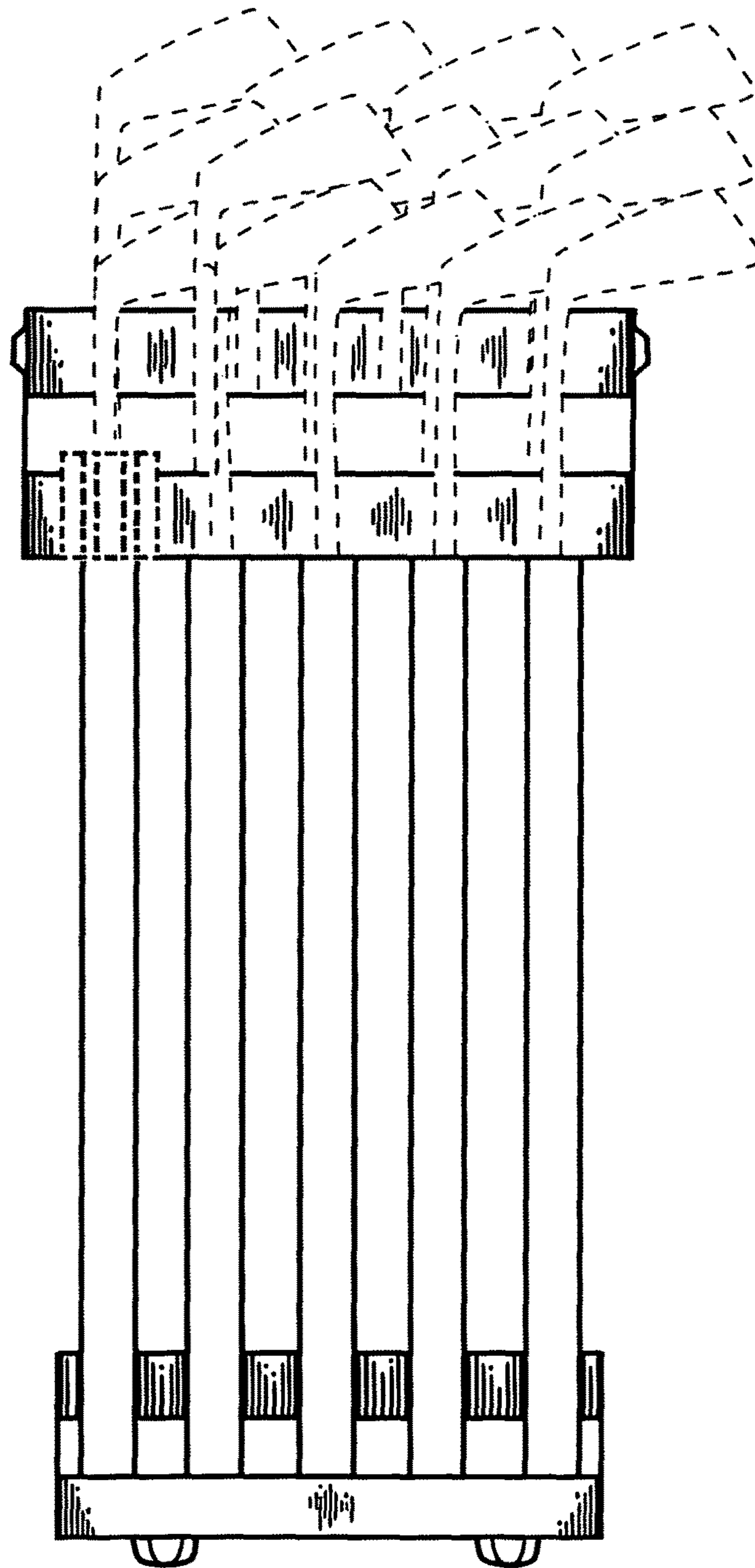


FIG. 7



**FIG. 8**

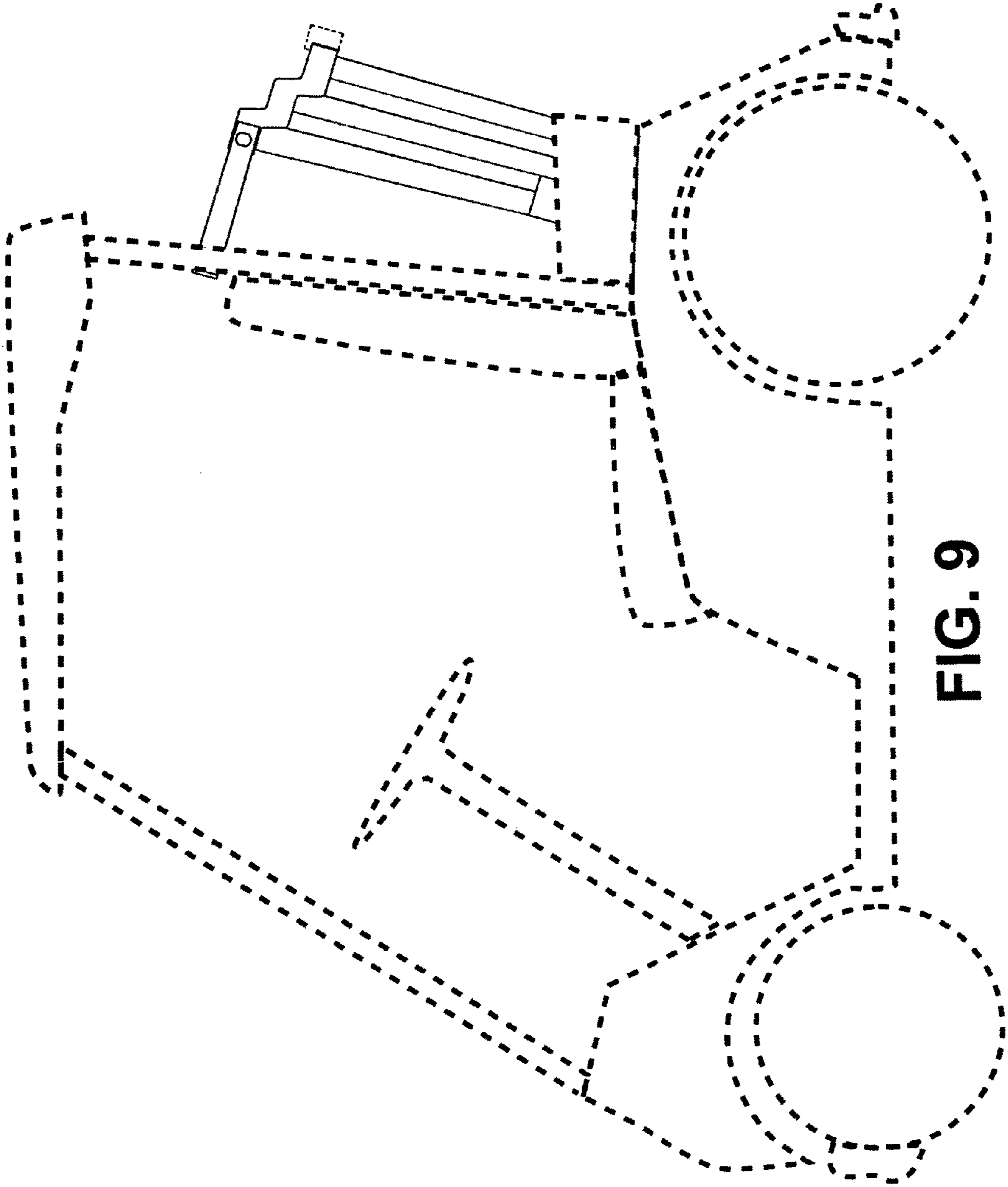


FIG. 9