



US00D753931S

(12) **United States Design Patent**  
**Schultz et al.**

(10) **Patent No.:** **US D753,931 S**  
(45) **Date of Patent:** **\*\* Apr. 19, 2016**

(54) **DRY ADHESIVE ATTACHMENT MEMBER**

(56) **References Cited**

(71) Applicant: **Liberty Hardware Mfg. Corp.**,  
Winston-Salem, NC (US)  
(72) Inventors: **Nathaniel Faltin Dutton Schultz**,  
Winston-Salem, NC (US); **Adam W. Callif**,  
Chicago, IL (US); **Bridget Soldan**,  
Chicago, IL (US)

U.S. PATENT DOCUMENTS

|               |         |                 |                         |
|---------------|---------|-----------------|-------------------------|
| 3,596,861 A * | 8/1971  | Baldini .....   | A47K 5/02<br>248/223.41 |
| D371,735 S *  | 7/1996  | Motta .....     | D6/535                  |
| D451,730 S *  | 12/2001 | Henderson ..... | D6/534                  |
| D478,755 S *  | 8/2003  | Moore .....     | D6/524                  |
| D550,009 S *  | 9/2007  | Rexach .....    | D6/524                  |
| D583,600 S *  | 12/2008 | Ricereto .....  | D6/524                  |
| D693,596 S *  | 11/2013 | Zeng .....      | D6/524                  |

(73) Assignee: **Liberty Hardware Mfg. Corp.**,  
Winston-Salem, NC (US)

\* cited by examiner

*Primary Examiner* — Wan Laymon

*Assistant Examiner* — Mark Booker

(\*\*) Term: **14 Years**

(74) *Attorney, Agent, or Firm* — Lora J. Graentzdoerffer

(21) Appl. No.: **29/488,654**

(57) **CLAIM**

The ornamental design for a dry adhesive attachment member, as shown and described.

(22) Filed: **Apr. 22, 2014**

**DESCRIPTION**

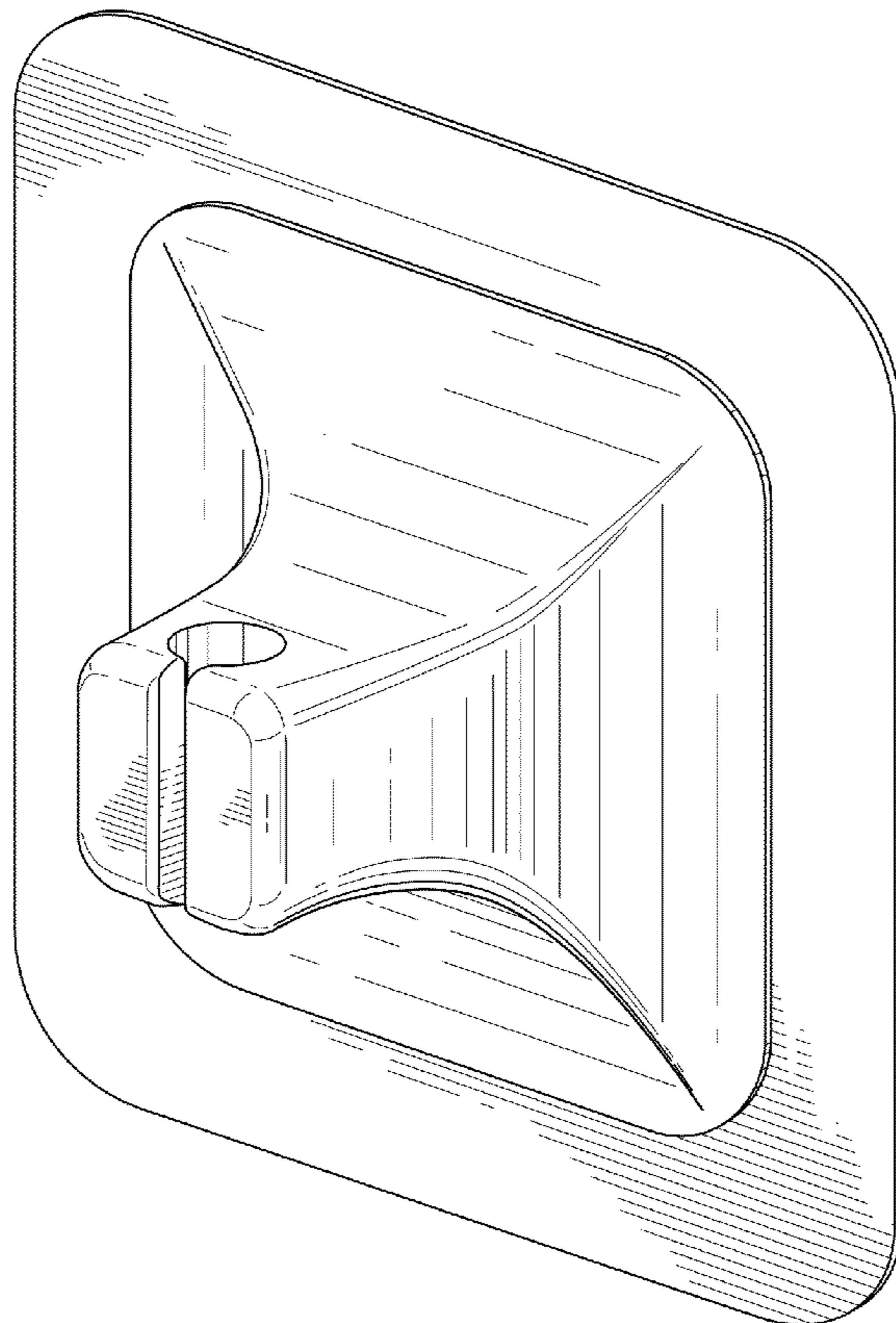
(51) **LOC (10) Cl.** ..... **23-02**

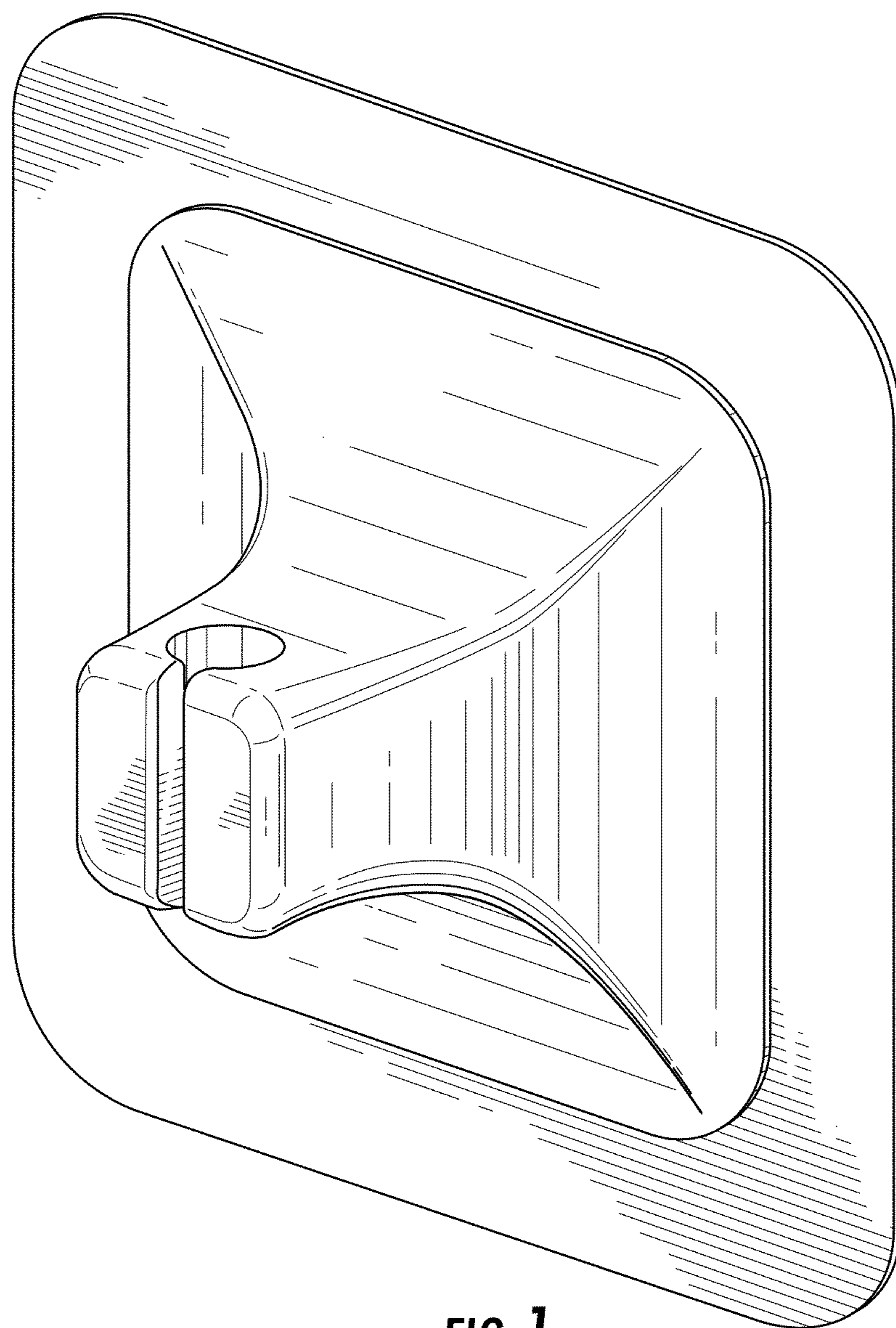
(52) **U.S. Cl.**  
USPC ..... **D6/524; D6/550**

(58) **Field of Classification Search**  
USPC ..... D6/524, 528-531, 534, 550; 206/361,  
206/362, 362.1, 362.2, 362.3; 211/13.1,  
211/60.1, 65, 66, 70.6, 89.01; 248/110  
CPC ..... A47K 5/02; A47K 10/10  
See application file for complete search history.

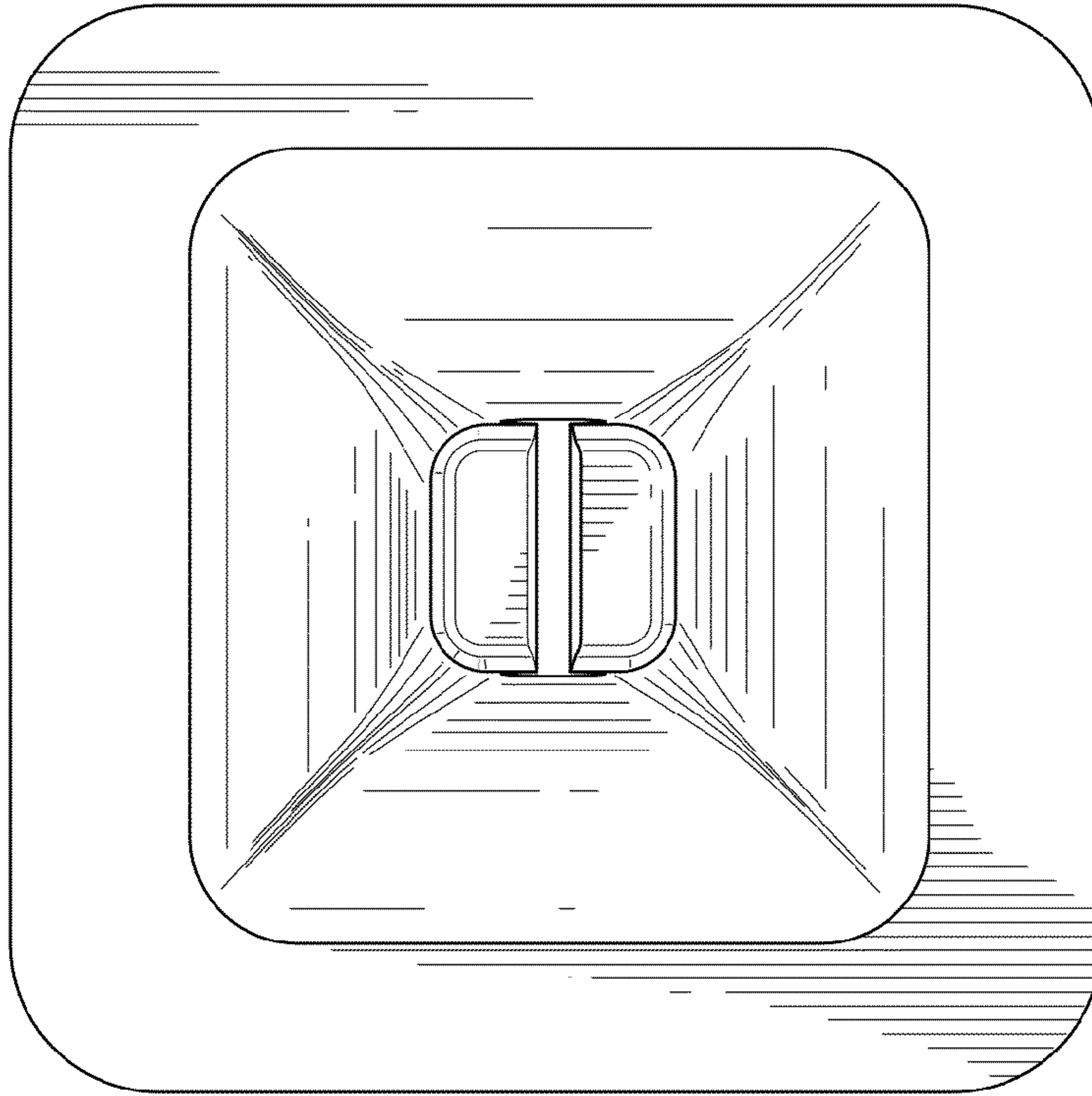
FIG. 1 is a perspective view of a dry adhesive attachment member showing my design;  
FIG. 2 is a front elevational view;  
FIG. 3 is a left side elevational view; wherein the right side elevational view is a mirror image thereof; and,  
FIG. 4 is a top plan view; the bottom plan view being a mirror image thereof.

**1 Claim, 3 Drawing Sheets**

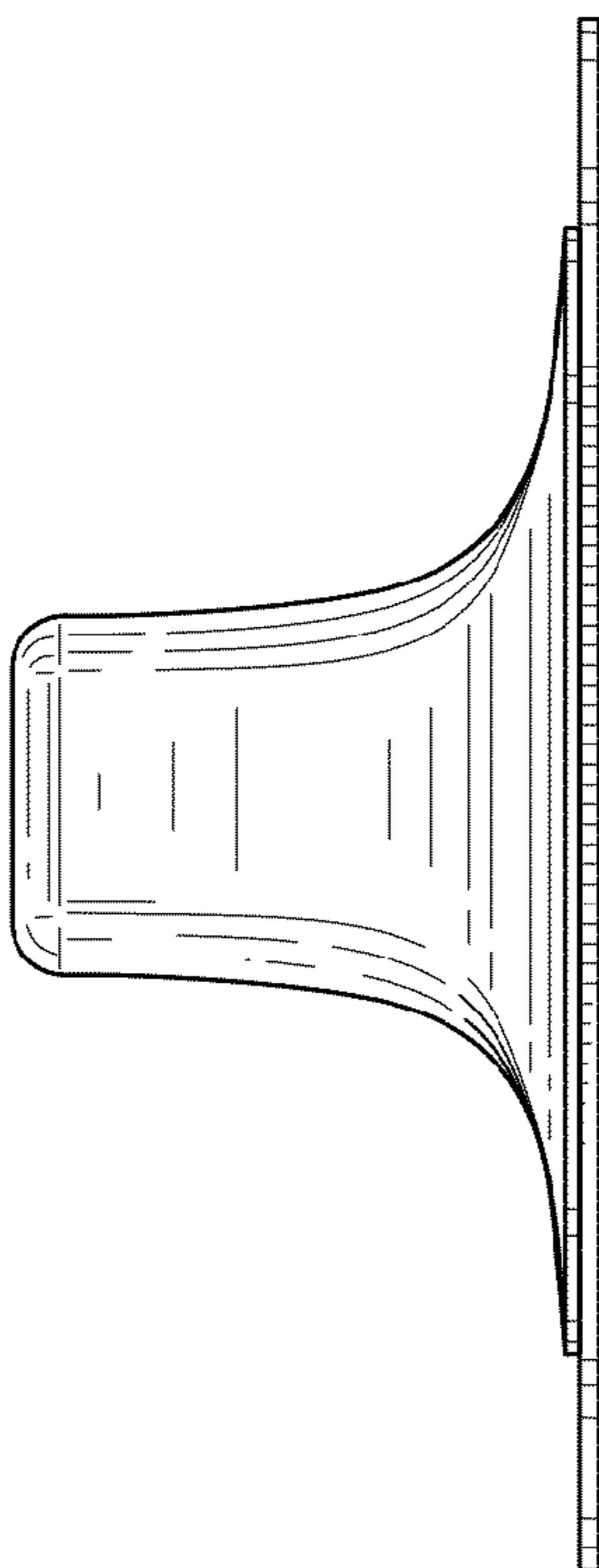




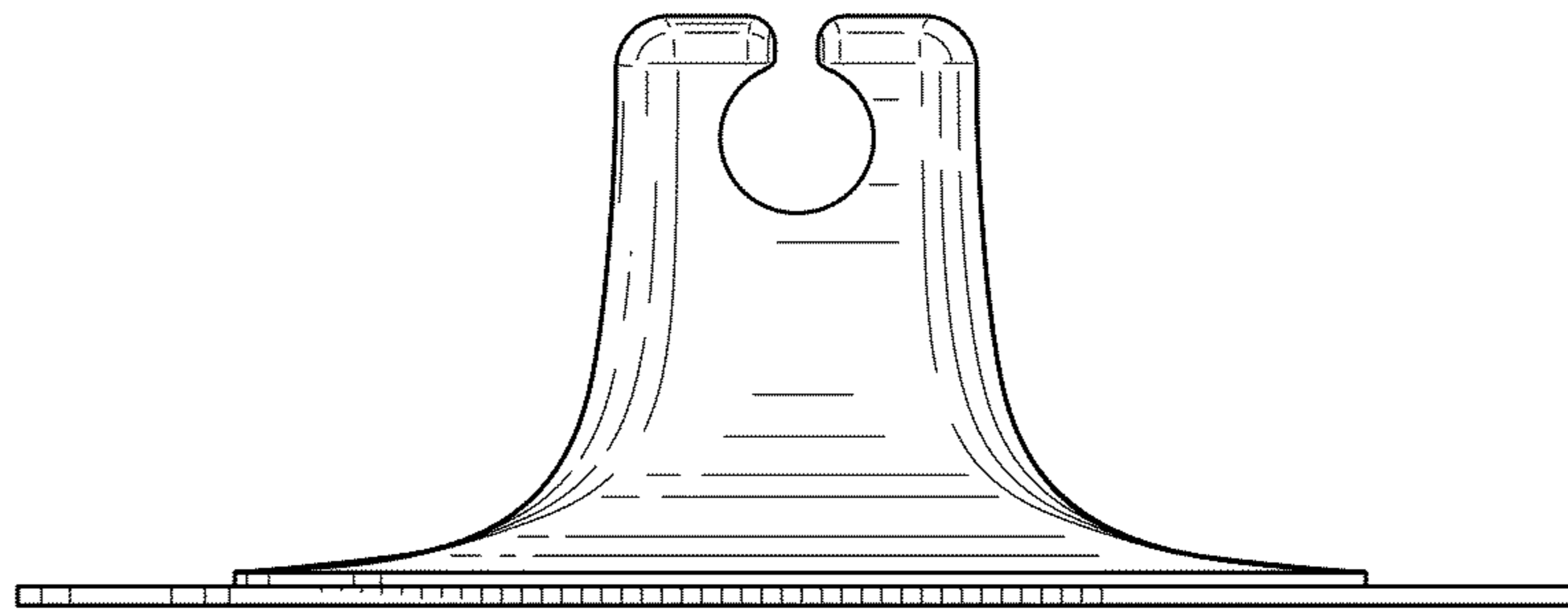
**FIG. 1**



**FIG. 2**



**FIG. 3**



**FIG. 4**