



US00D753927S

(12) **United States Design Patent**
Webb

(10) **Patent No.:** **US D753,927 S**
(45) **Date of Patent:** **** Apr. 19, 2016**

(54) **FURNITURE MODULES**

(71) Applicant: **Roger Webb Associates Ltd.**, London (GB)

(72) Inventor: **Roger Webb**, London (GB)

(73) Assignee: **Rober Webb Associates Ltd.**, London (GB)

(**) Term: **15 Years**

(21) Appl. No.: **29/540,084**

(22) Filed: **Sep. 21, 2015**

Related U.S. Application Data

(62) Division of application No. 29/475,306, filed on Dec. 2, 2013, now Pat. No. Des. 739,156.

(51) **LOC (10) Cl.** **06-01**

(52) **U.S. Cl.**
USPC **D6/378**

(58) **Field of Classification Search**

USPC D6/334–336, 364, 371, 373, 374, 378,
D6/381, 716, 716.1, 716.4

CPC A47C 1/00; A47C 7/18; A47C 7/24;
A47C 7/021; A47C 5/06; A47C 15/002;
B60N 2/70

See application file for complete search history.

(56) **References Cited**

U.S. PATENT DOCUMENTS

D240,481 S * 7/1976 Fister, Jr. D6/378
D262,166 S * 12/1981 Aronowitz D6/378
D262,421 S * 12/1981 Aronowitz D6/364

D482,535 S * 11/2003 Williams D6/334
7,523,989 B2 * 4/2009 Wieland A47C 15/002
297/233
D646,499 S * 10/2011 Metcalf D6/378
D646,907 S * 10/2011 Joly D6/378
D669,702 S * 10/2012 Barefoot D6/378
D671,333 S * 11/2012 Metcalf D6/378
D739,156 S * 9/2015 Webb D6/378

* cited by examiner

Primary Examiner — Mimoso De

(74) *Attorney, Agent, or Firm* — Abelman, Frayne & Schwab

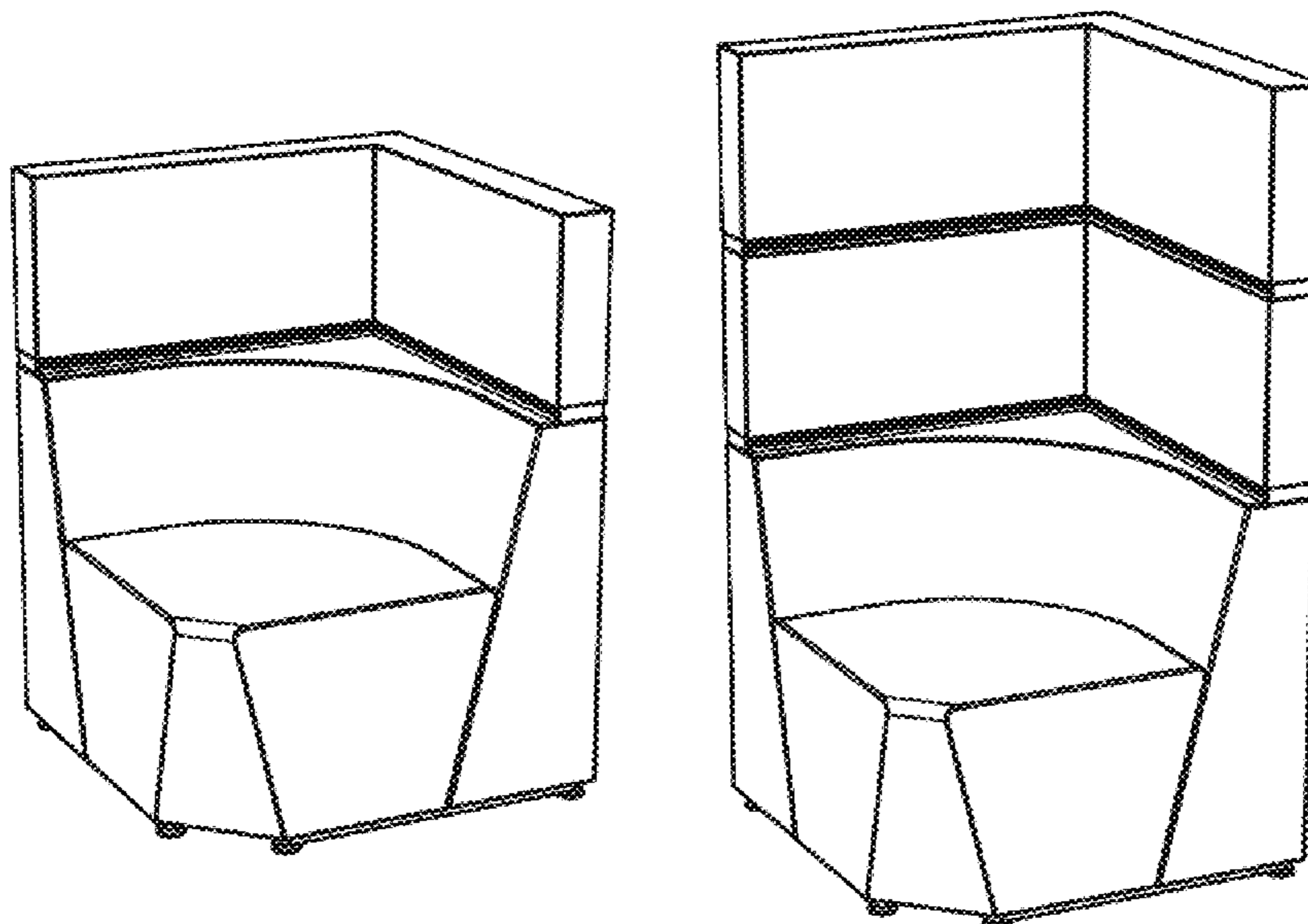
(57) **CLAIM**

The ornamental design for furniture modules, as shown and described.

DESCRIPTION

FIG. 1 is a front elevation view of furniture modules, showing my new design,
FIG. 2 is a left side elevation view thereof,
FIG. 3 is a rear elevation view thereof,
FIG. 4 is a top plan view thereof,
FIG. 5 is a top, rear, and right side perspective view thereof,
FIG. 6 is a top, front, and left side perspective view thereof,
FIG. 7 is a front elevation view of furniture modules, according to another embodiment of the present invention,
FIG. 8 is a left side elevation view thereof,
FIG. 9 is a rear elevation view thereof,
FIG. 10 is a top plan view thereof,
FIG. 11 is a top, rear, and right side perspective view thereof;
and,
FIG. 12 is a top, front, and left side perspective view thereof.
In all the above figures the bottom view is not shown and is not claimed.

1 Claim, 2 Drawing Sheets



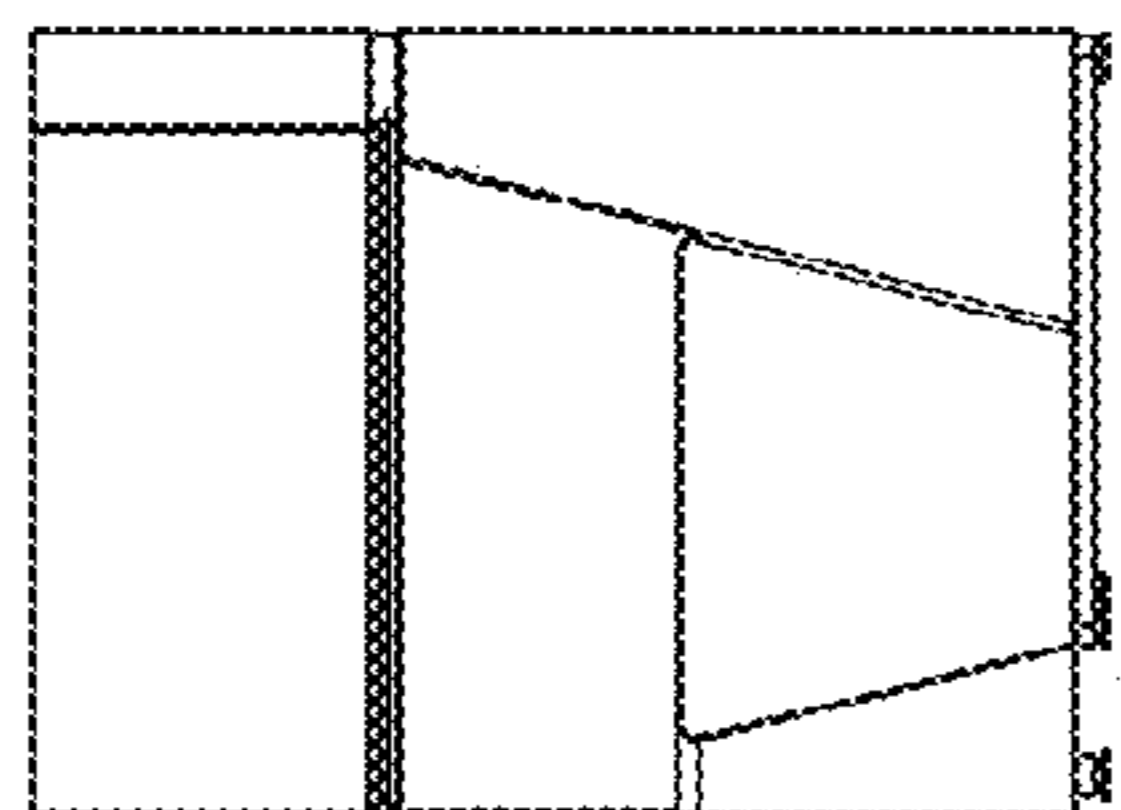


FIG. 1

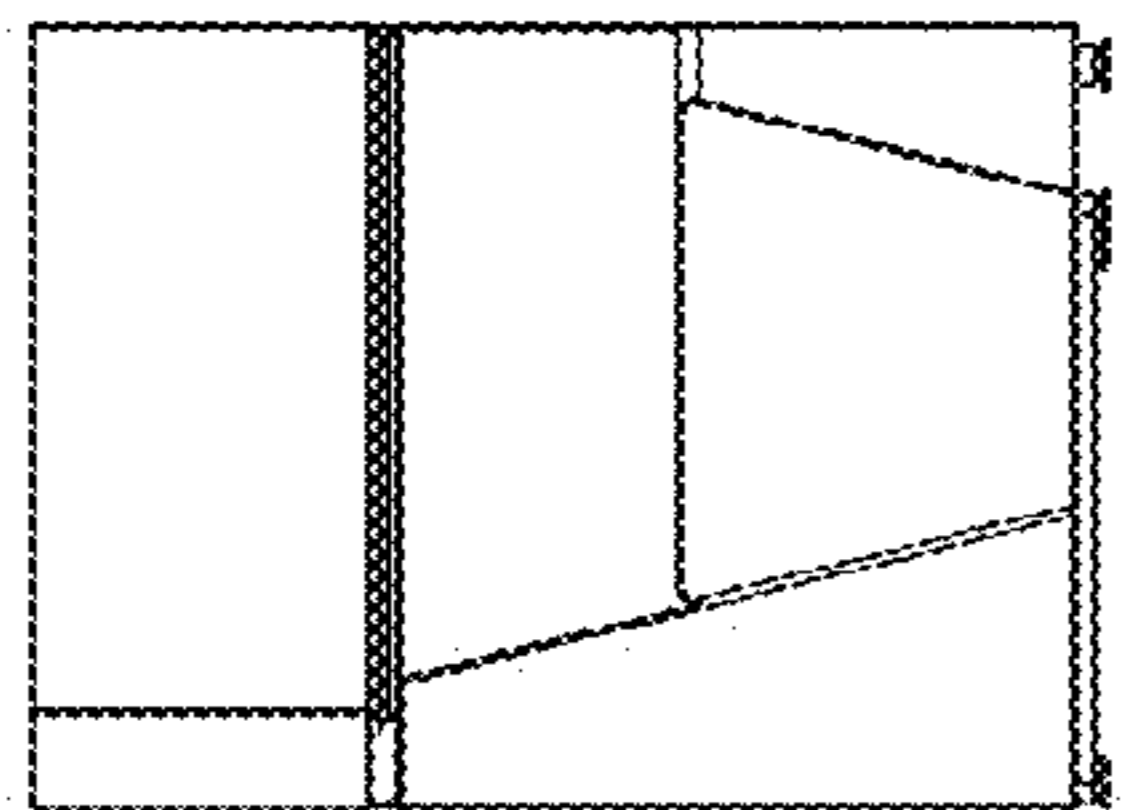


FIG. 2

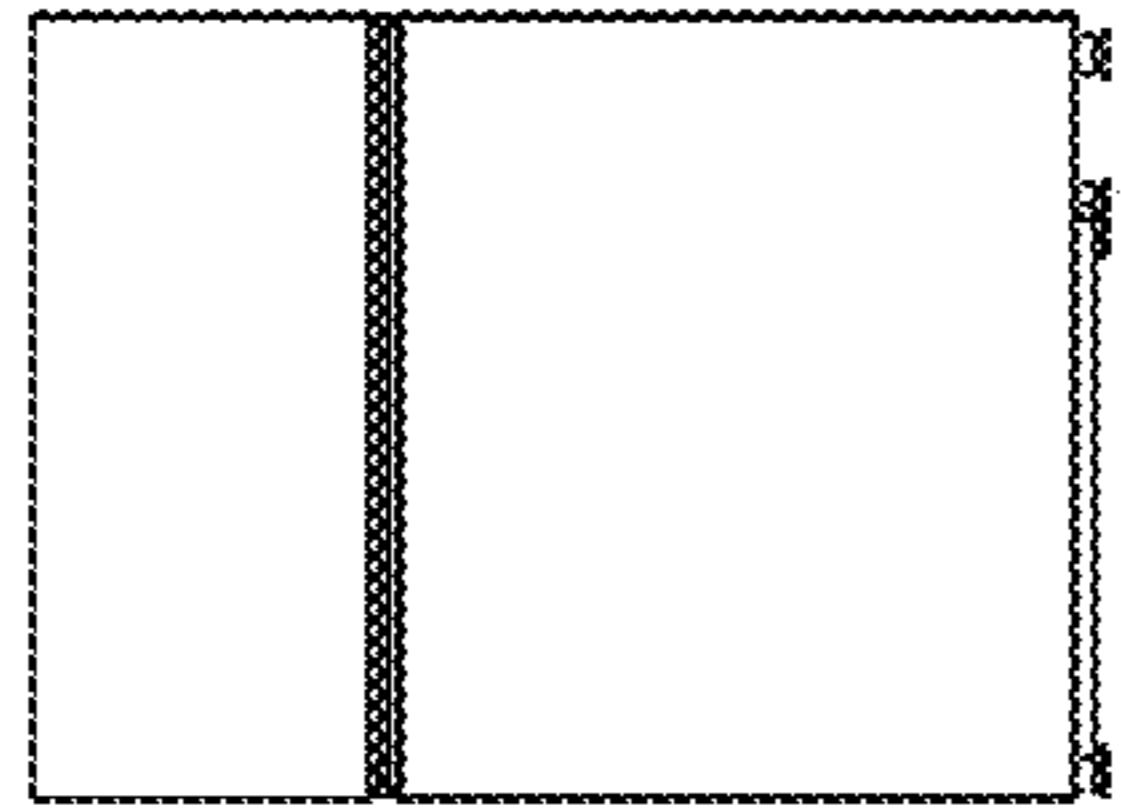


FIG. 3

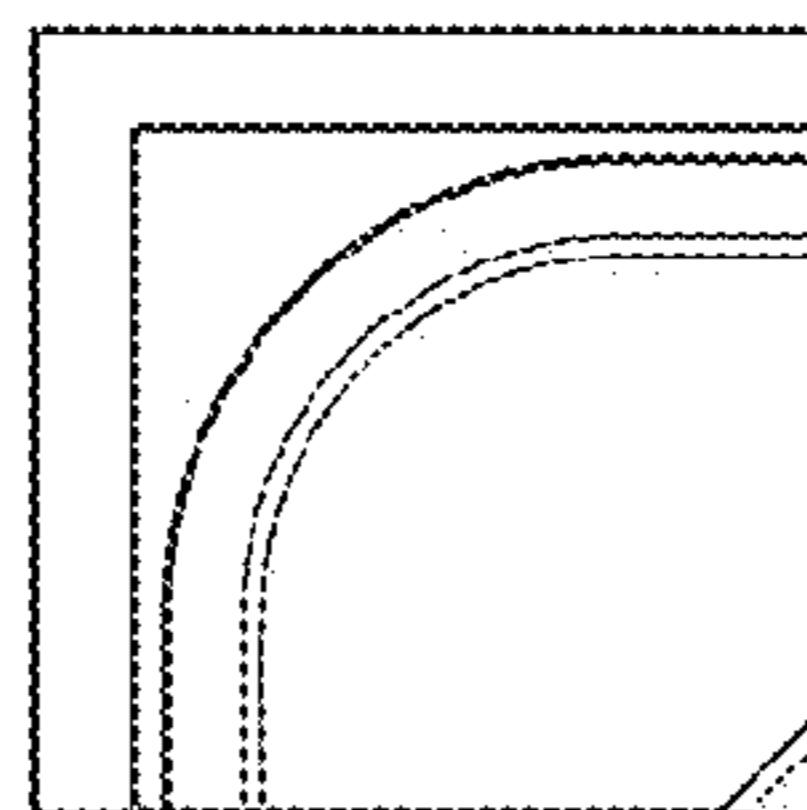


FIG. 4

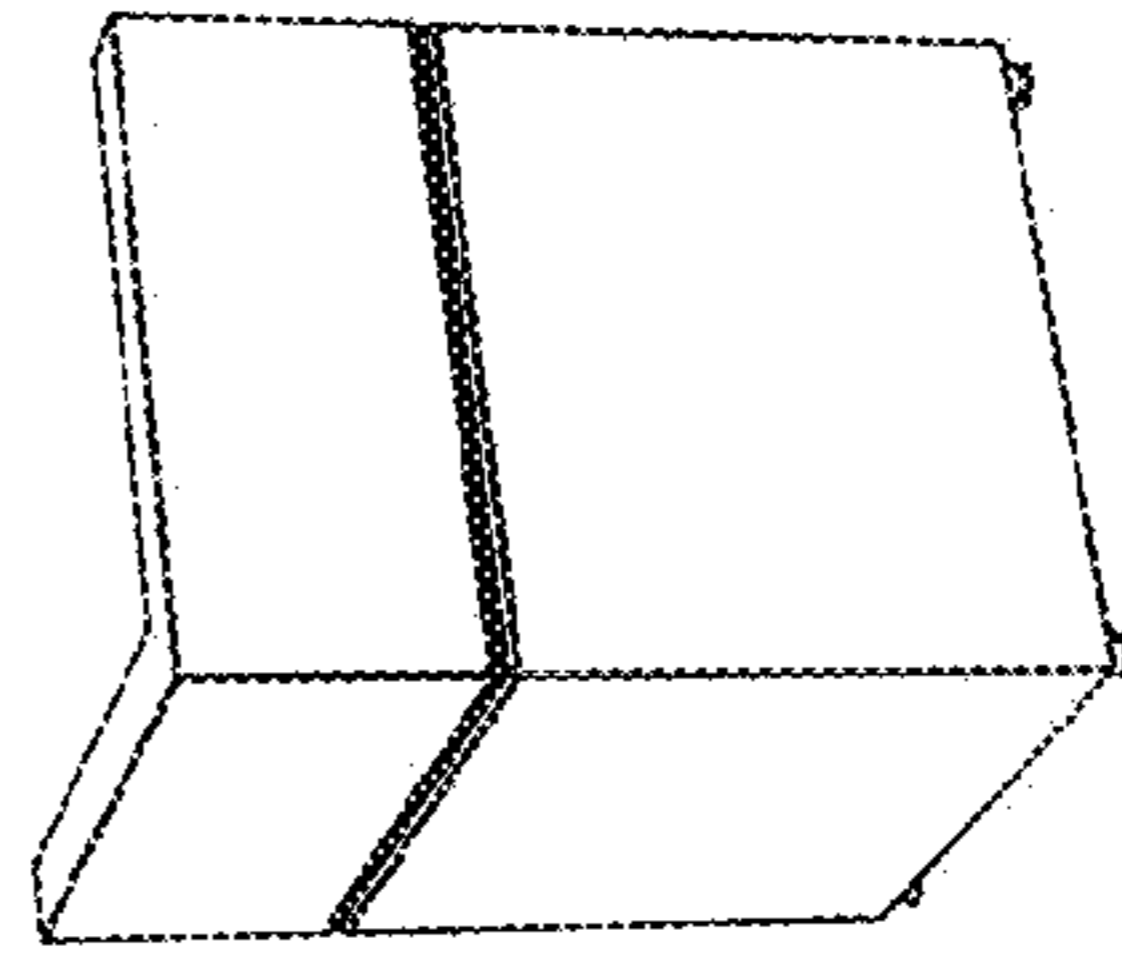


FIG. 5

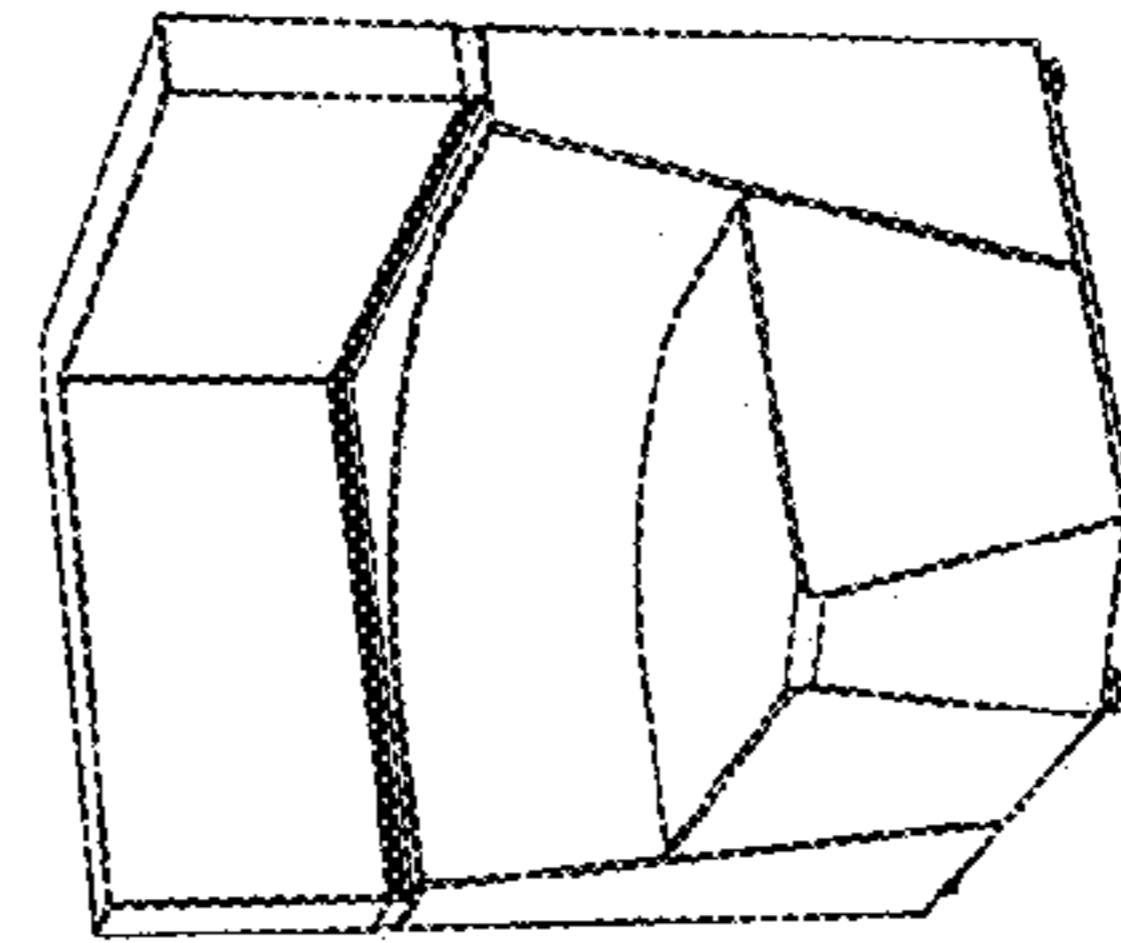


FIG. 6

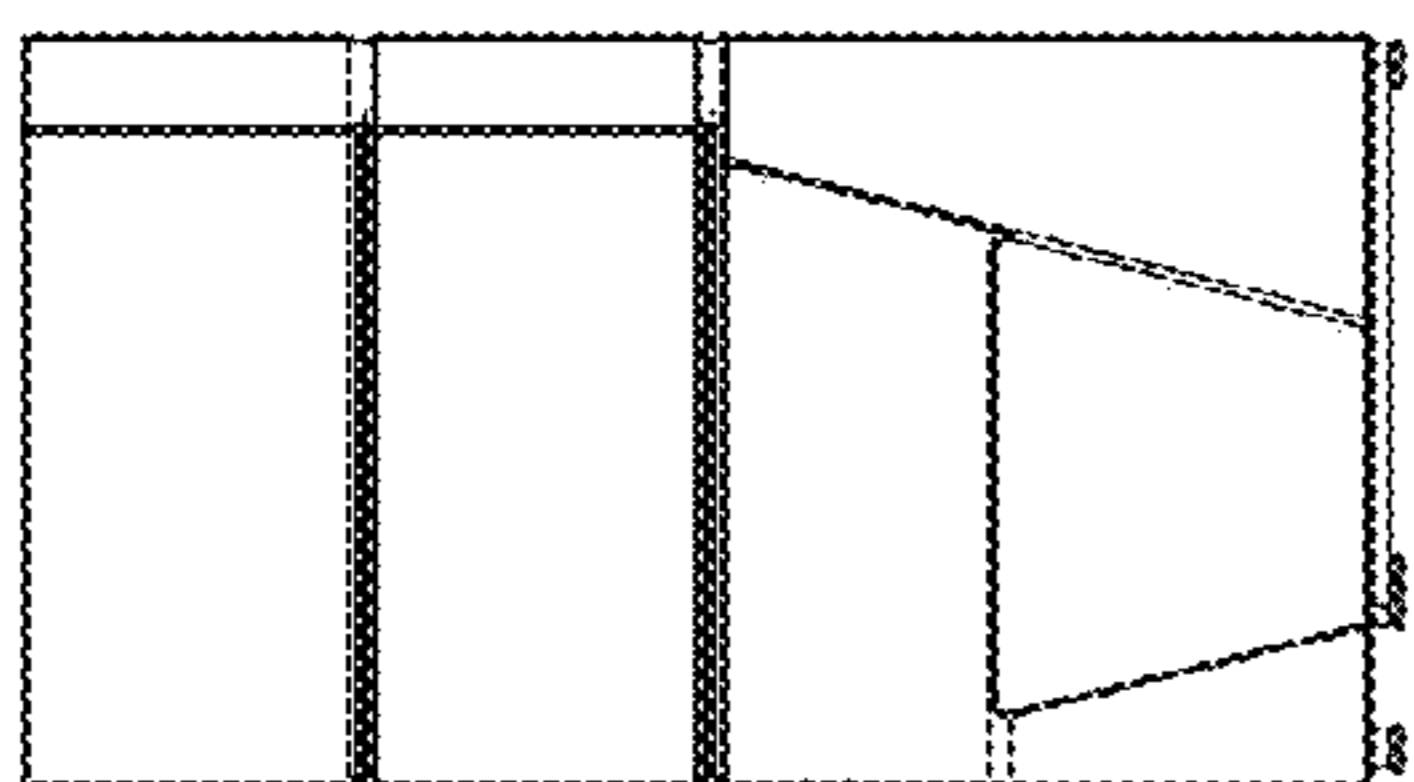


FIG. 7

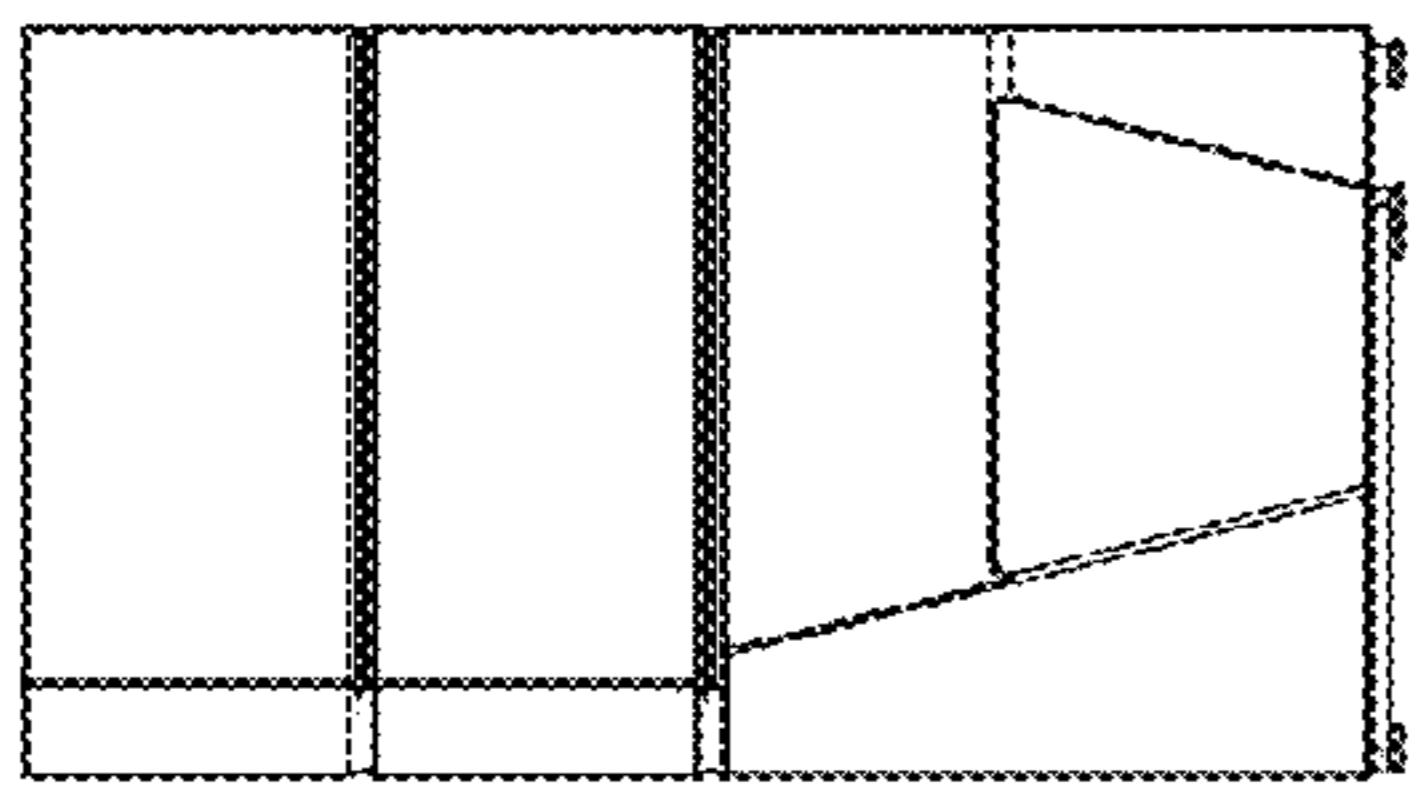


FIG. 8

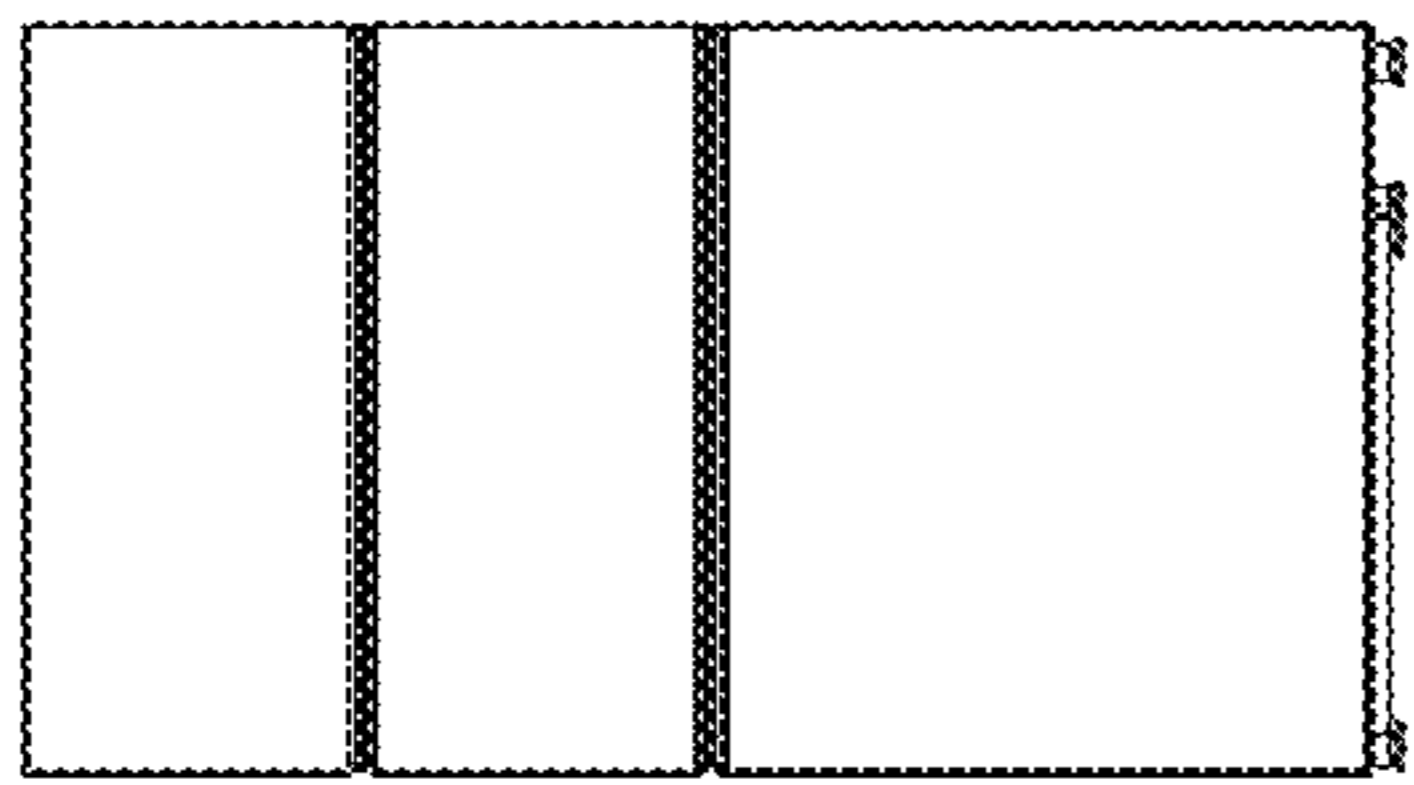


FIG. 9

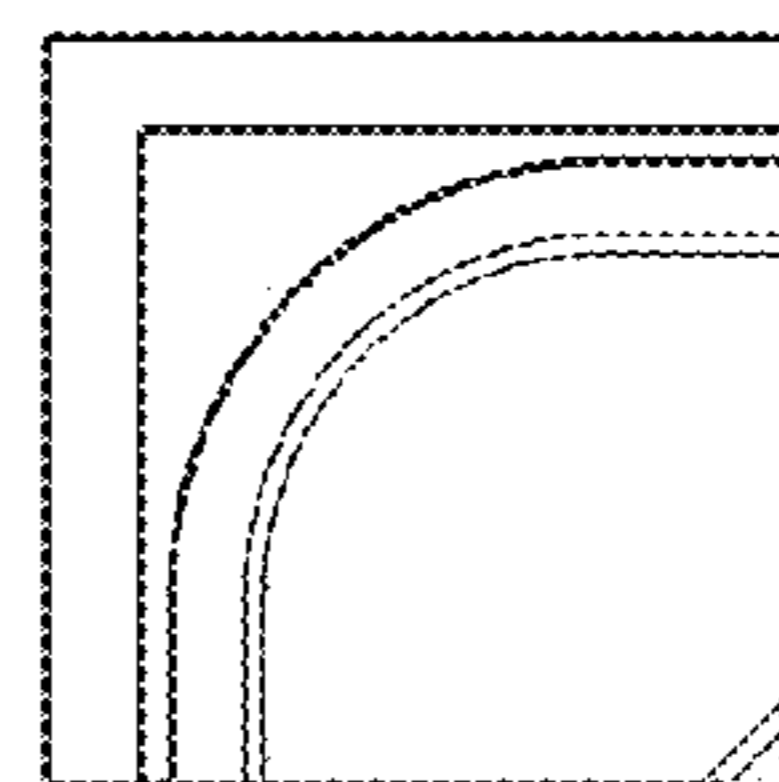


FIG. 10

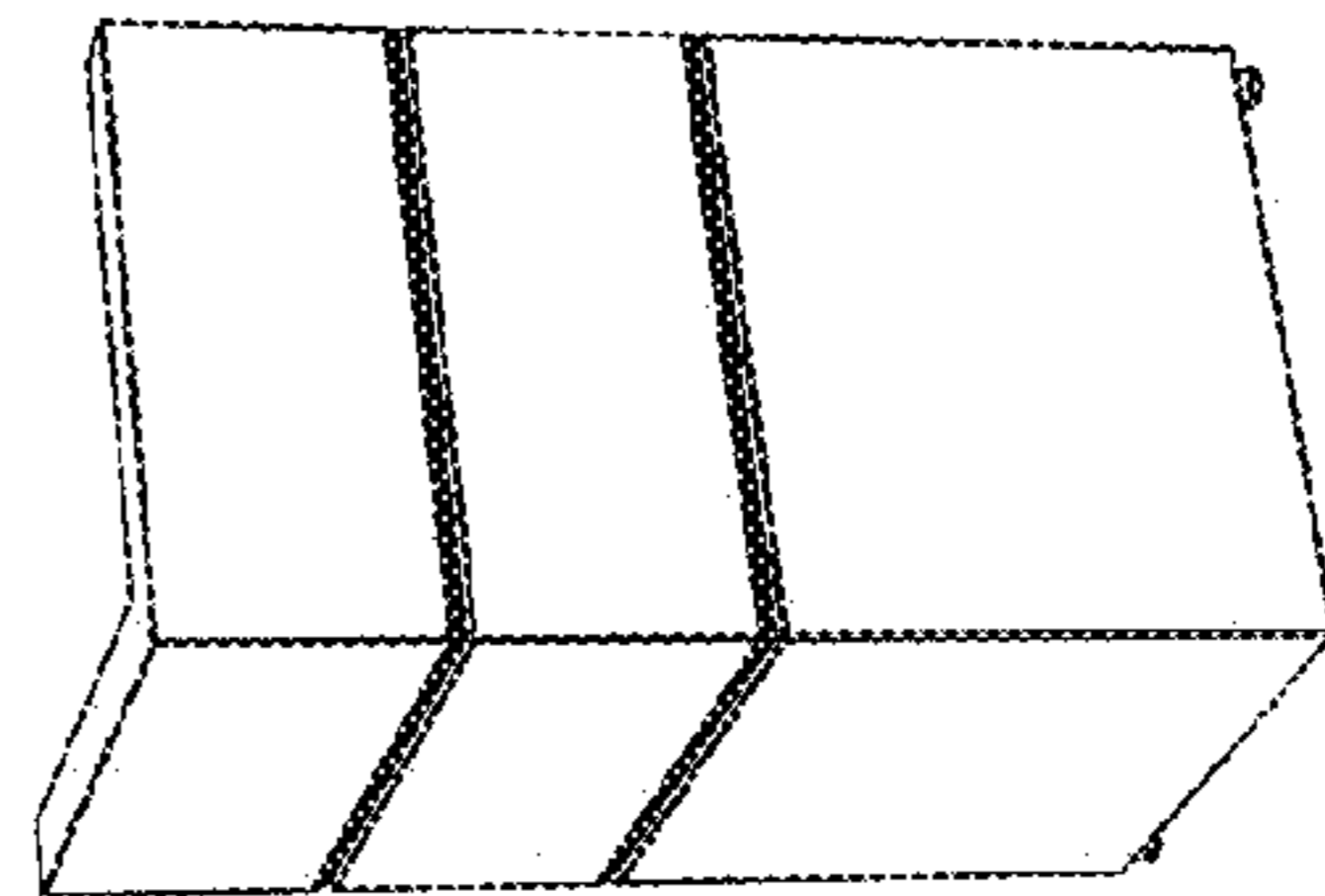


FIG. 11

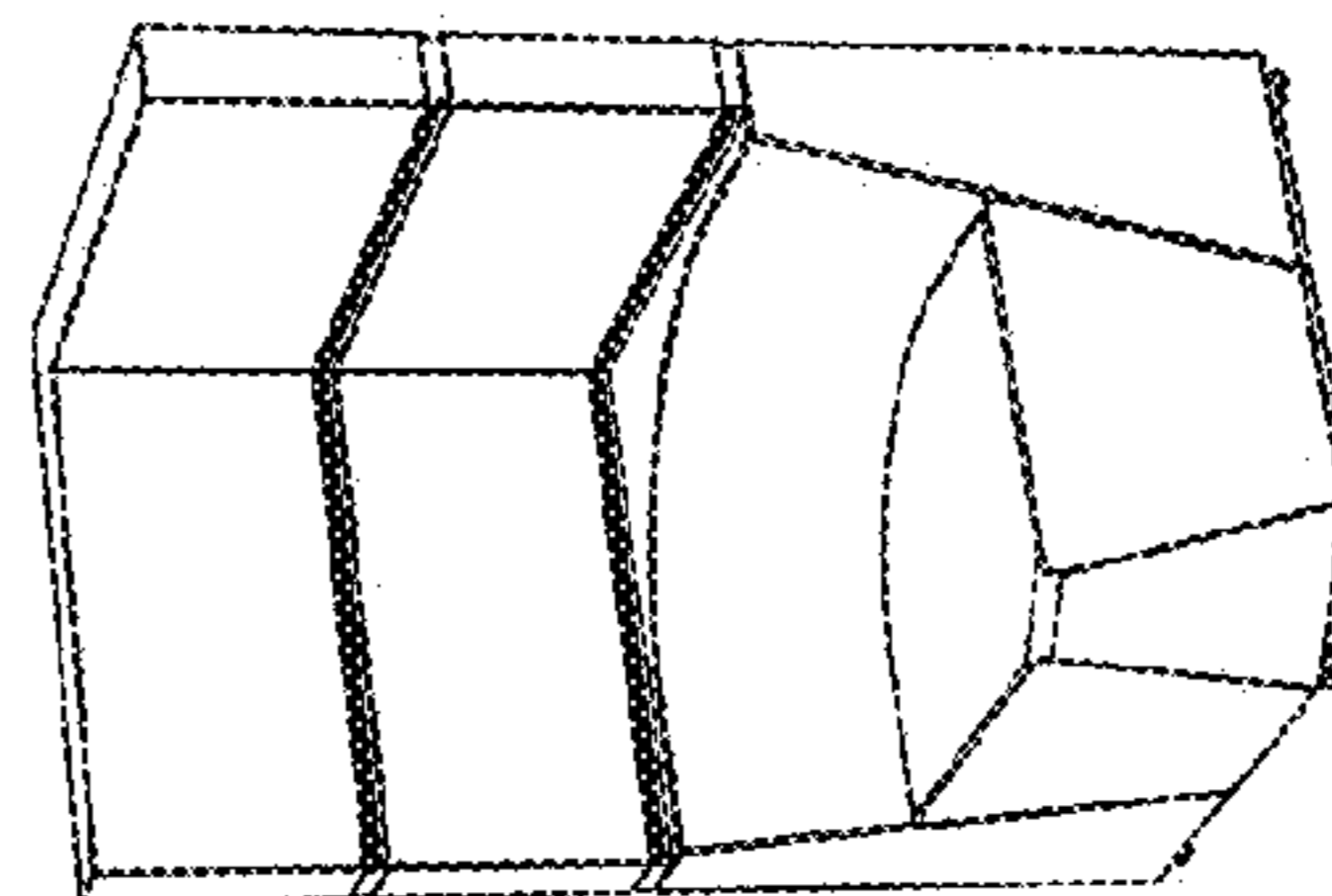


FIG. 12