



US00D753924S

(12) **United States Design Patent**
Hartman et al.

(10) **Patent No.:** **US D753,924 S**
(45) **Date of Patent:** **** Apr. 19, 2016**

- (54) **UNDERGARMENT HANGER**
- (71) Applicant: **Union Underwear Company, Inc.**,
Bowling Green, KY (US)
- (72) Inventors: **Mark Hartman**, Gallatin, TN (US);
Stacey Davenport, Bowling Green, KY
(US)
- (73) Assignee: **Union Underwear Company, Inc.**,
Bowling Green, KY (US)
- (**) Term: **14 Years**
- (21) Appl. No.: **29/512,033**
- (22) Filed: **Dec. 16, 2014**
- (51) **LOC (10) Cl.** **06-08**
- (52) **U.S. Cl.**
USPC **D6/315**
- (58) **Field of Classification Search**
USPC D6/315–328; 223/85–98; 211/1, 13.1,
211/85.3, 113; 206/495; D9/415, 457
CPC A47G 25/28; A47G 25/32; A47G 25/487;
A47G 25/26; A47G 25/20; A47G 25/743;
A47G 25/30; A47G 25/36; A47G 25/14;
A47F 7/19; A47B 61/003; A47B 61/02;
A47B 5/04; Y10T 24/51; Y10T 24/3449;
Y10T 24/44017; Y10T 24/44752
See application file for complete search history.

(56) **References Cited**

U.S. PATENT DOCUMENTS

- 1,780,137 A * 10/1930 Lee B42D 15/08
229/74
- 2,767,892 A 10/1956 Cole et al.
- D182,057 S * 2/1958 Bauman 223/88
- 2,855,649 A * 10/1958 Kanter A47G 25/743
206/292
- 3,032,242 A * 5/1962 Roberts A47G 25/743
206/806
- D193,256 S * 7/1962 Silver D6/315
- 3,112,848 A * 12/1963 Peach A47G 25/36
223/95

- 3,329,386 A * 7/1967 Rosen B65D 85/18
206/299
- 3,370,765 A * 2/1968 Jossem A47G 25/743
223/87
- 3,414,175 A * 12/1968 Brosk A47F 5/0006
206/216
- 3,458,093 A * 7/1969 Bacharach A47G 25/20
223/87

(Continued)

Primary Examiner — Derrick Holland

Assistant Examiner — Lauren Calve

(74) *Attorney, Agent, or Firm* — Jeremy A. Smith; Nathan
W. Johnson; Bradley Arant Boult Cummings LLP

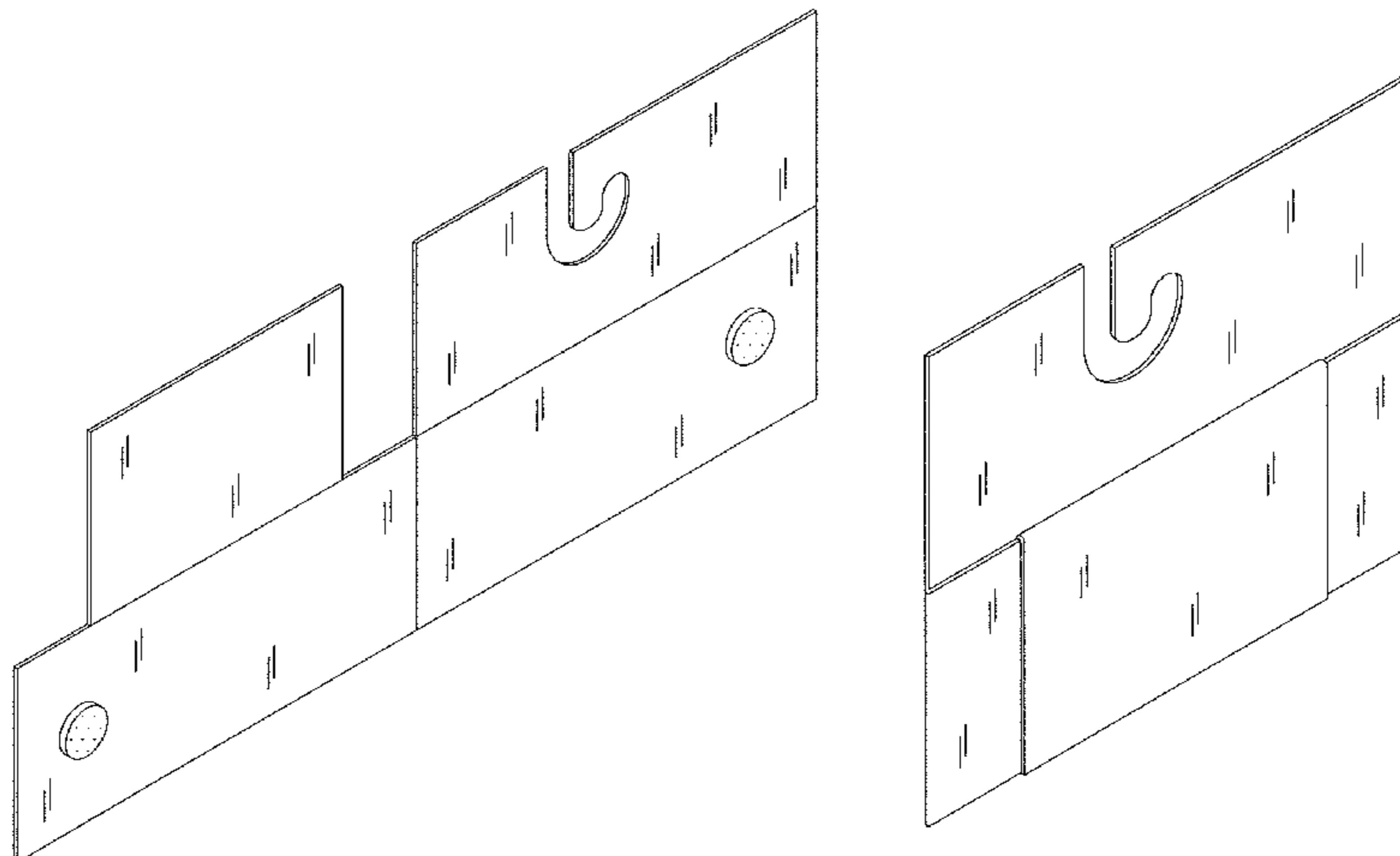
(57) **CLAIM**

The ornamental design for an undergarment hanger, as shown
and described.

DESCRIPTION

FIG. 1 is a front perspective view of an undergarment hanger.
FIG. 2 is a rear perspective view of the undergarment hanger.
FIG. 3 is a front perspective view of the undergarment hanger
in a partially folded position.
FIG. 4 is a rear perspective view of the undergarment hanger
in a partially folded position.
FIG. 5 is a front perspective view of the undergarment hanger
in a fully folded position.
FIG. 6 is a second front perspective view of the undergarment
hanger in a fully folded position.
FIG. 7 is a rear perspective view of the undergarment hanger
in a fully folded position.
FIG. 8 is a second rear perspective view of the undergarment
hanger in a fully folded position.
FIG. 9 is a front view of the undergarment hanger shown in
environmental use.
FIG. 10 is a rear view of the undergarment hanger shown in
environmental use.
FIG. 11 is a front view of the undergarment hanger in a fully
folded position shown in environmental use; and,
FIG. 12 is a rear view of the undergarment hanger in a fully
folded position shown in environmental use.
The broken lines shown represent unclaimed subject matter
and form no part of the claimed design.

1 Claim, 7 Drawing Sheets



(56)

References Cited

U.S. PATENT DOCUMENTS

3,841,478	A *	10/1974	Wells et al.	B25D 33/14	6,293,443	B1	9/2001	Nykoluk	
				206/335	6,622,858	B1 *	9/2003	Wilkinson	B65D 73/0078
D235,316	S *	6/1975	Well	D6/327					206/299
3,997,091	A *	12/1976	Burnette	B65D 73/0064	6,675,997	B1	1/2004	Gouldson et al.	
				206/296	D502,010	S *	2/2005	Starr	D6/323
4,240,553	A	12/1980	Leopold		D570,679	S *	6/2008	Emery	D9/415
4,300,688	A	11/1981	London et al.		7,441,678	B2 *	10/2008	Ford	B65D 73/0071
D264,789	S *	6/1982	Zyla	D6/315					206/292
D268,811	S *	5/1983	Black	D24/145	8,425,391	B2 *	4/2013	Branger	B65D 5/4208
D282,790	S *	3/1986	Morawski	D6/327					206/288
5,005,742	A	4/1991	Smith		8,678,251	B2 *	3/2014	Norman	A47F 5/0006
5,154,329	A	10/1992	Dorfmueller						223/85
D368,168	S *	3/1996	Bennett	D6/320	2005/0284008	A1	12/2005	Hayes et al.	
D368,590	S *	4/1996	Charlet	D6/315	2007/0068981	A1 *	3/2007	Koeda	A47G 25/36
6,026,998	A	2/2000	Brooks						223/94
					2007/0119880	A1 *	5/2007	Fitzgerald	A47F 5/006
									223/85

* cited by examiner

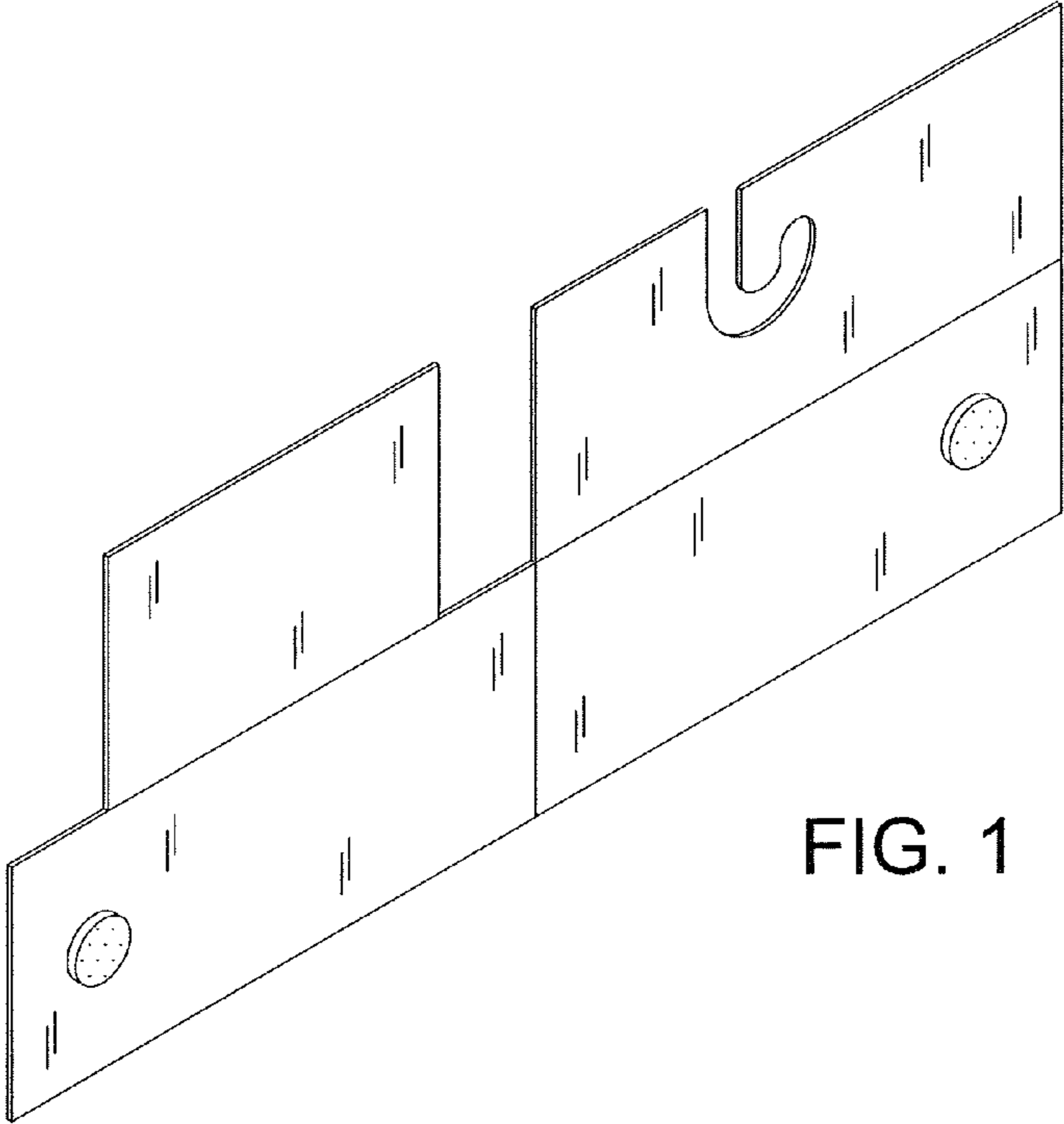


FIG. 1

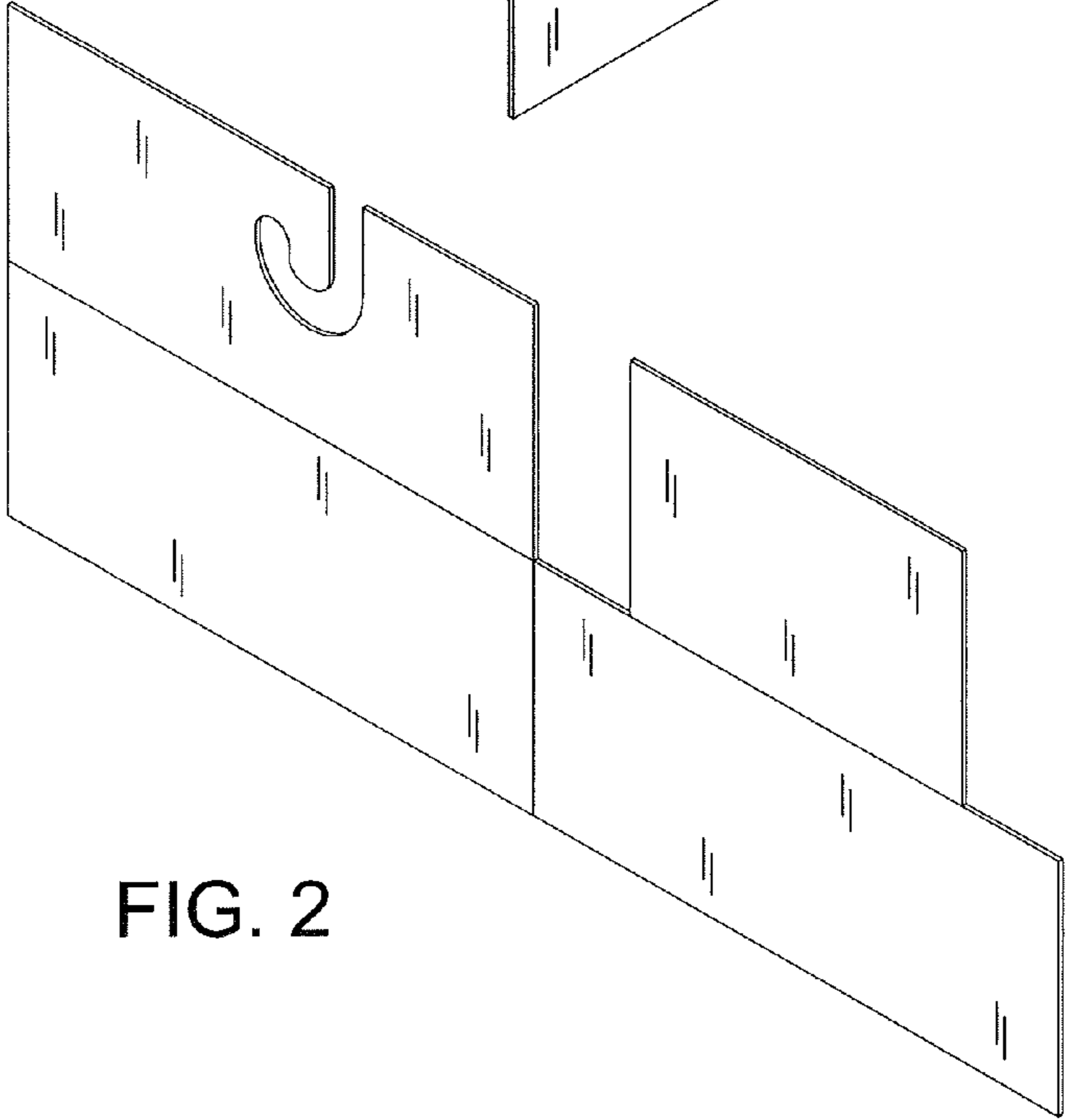


FIG. 2

FIG. 3

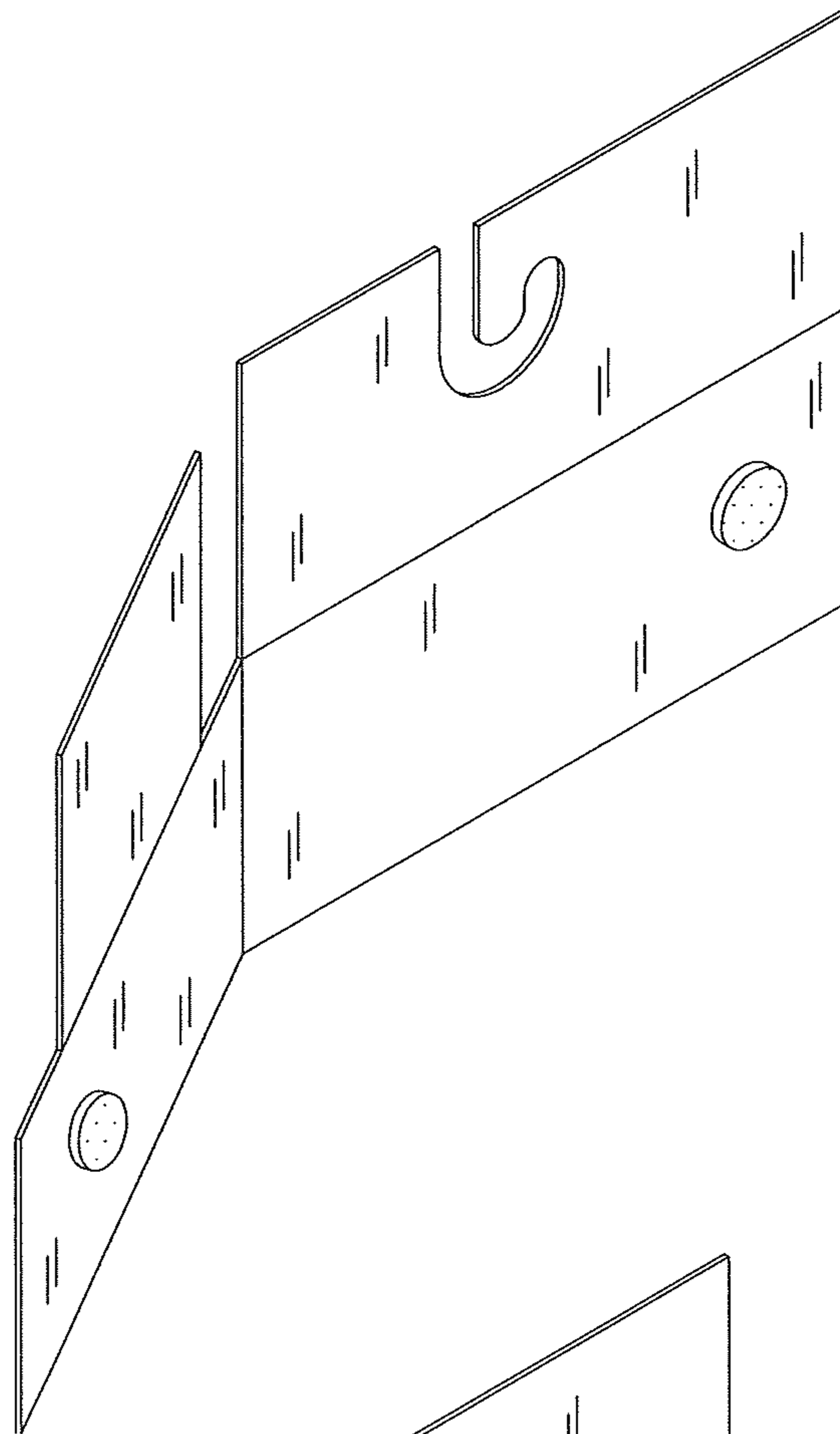


FIG. 4

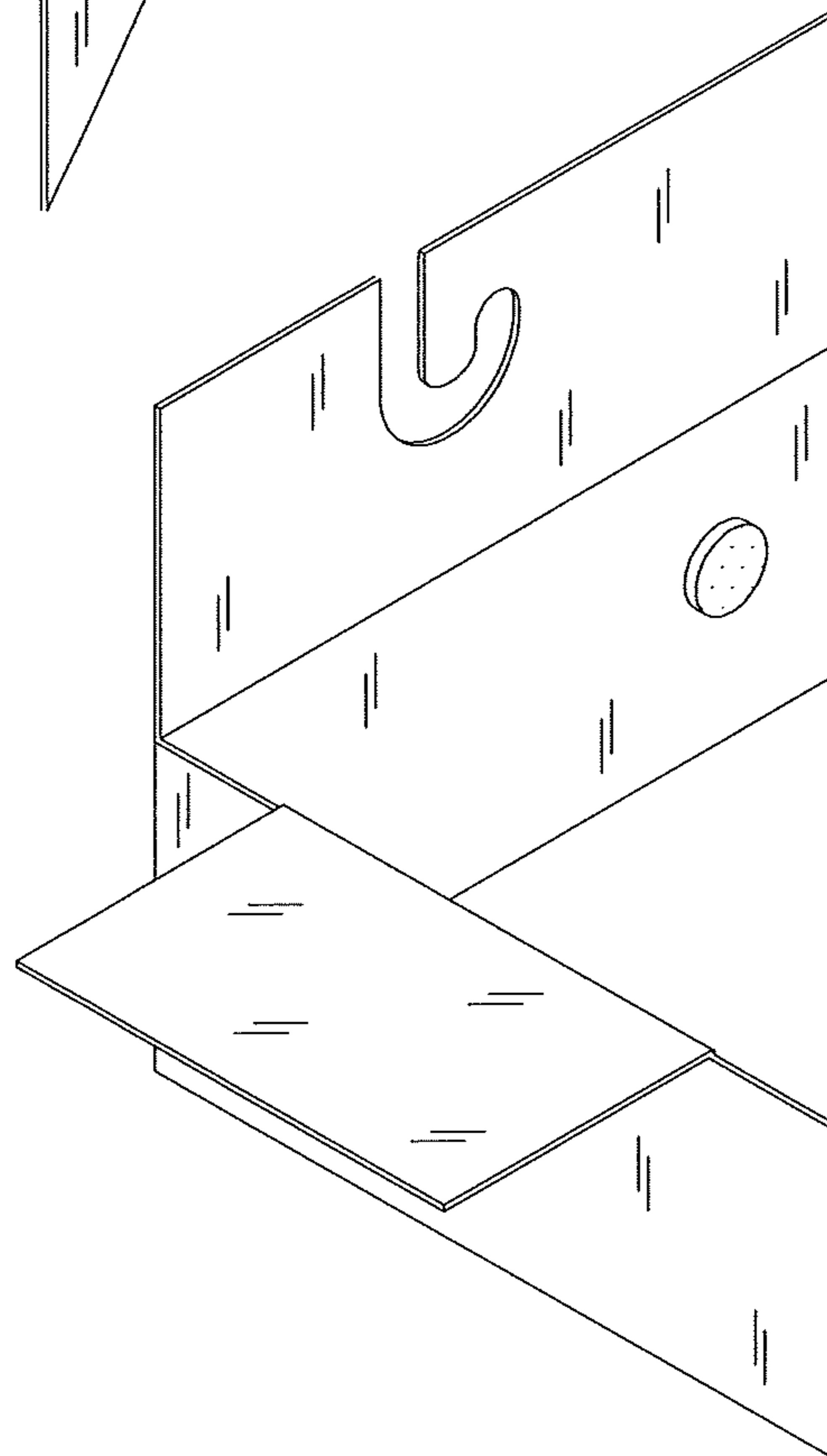


FIG. 5

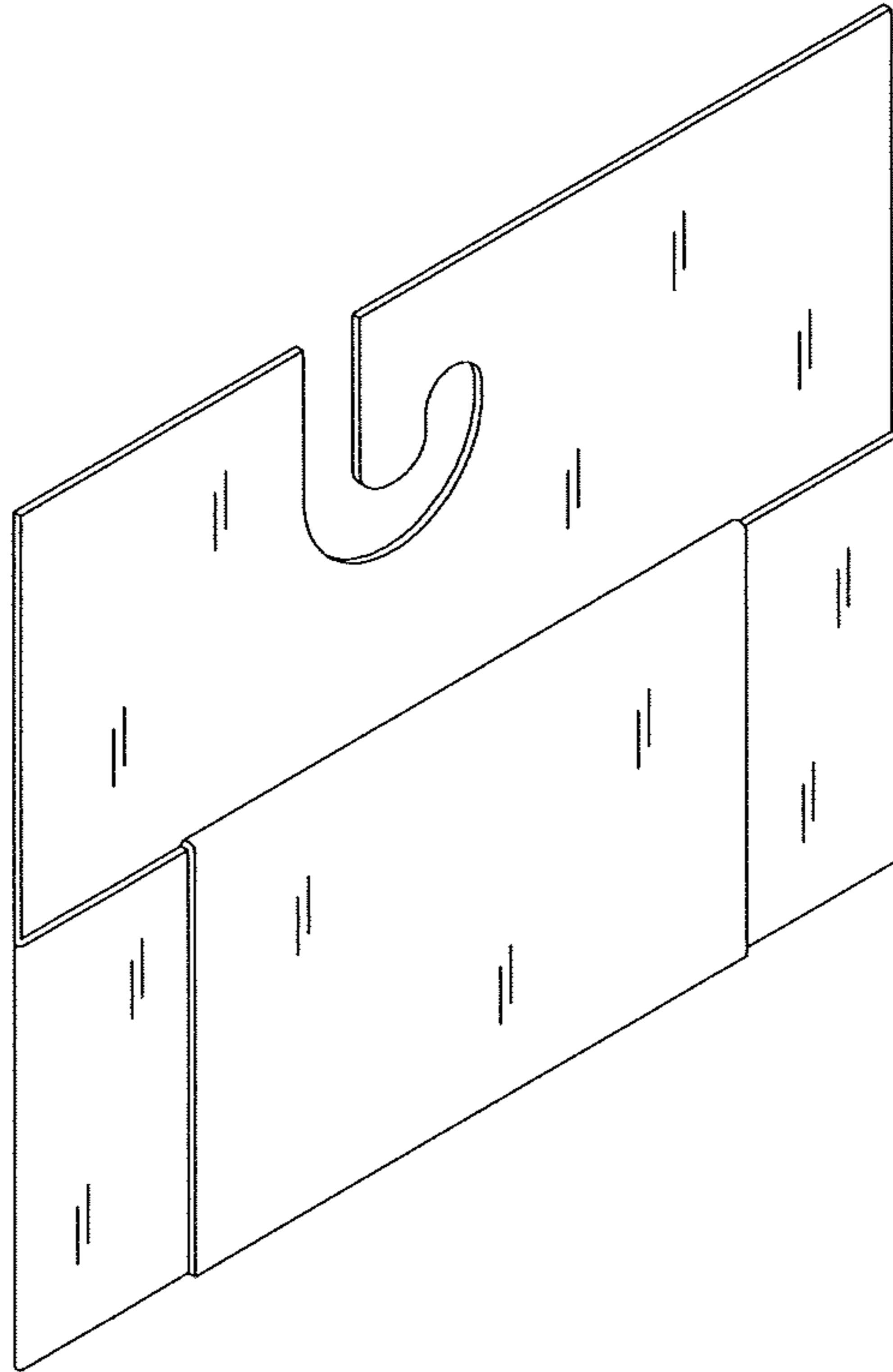


FIG. 6

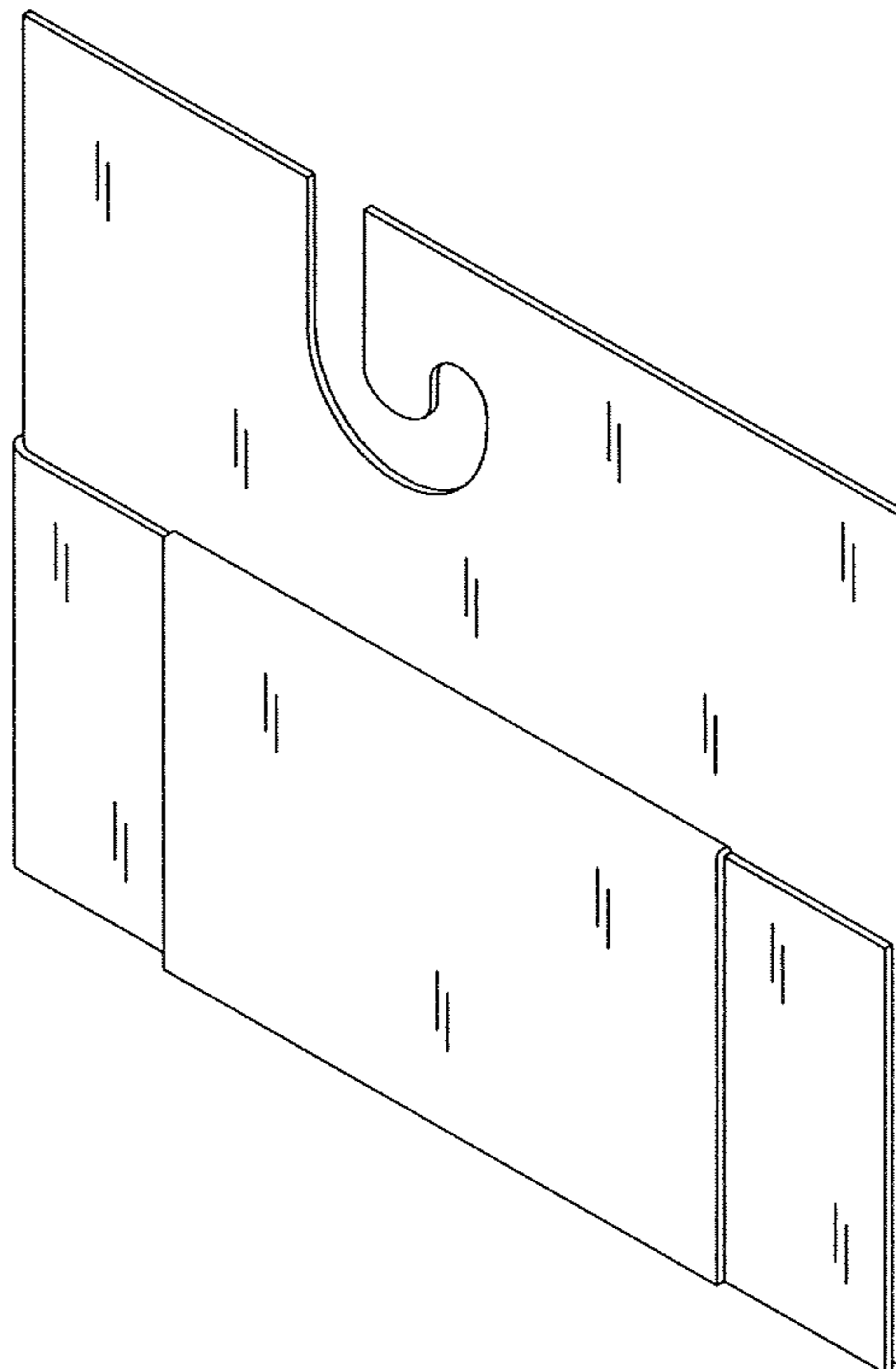


FIG. 7

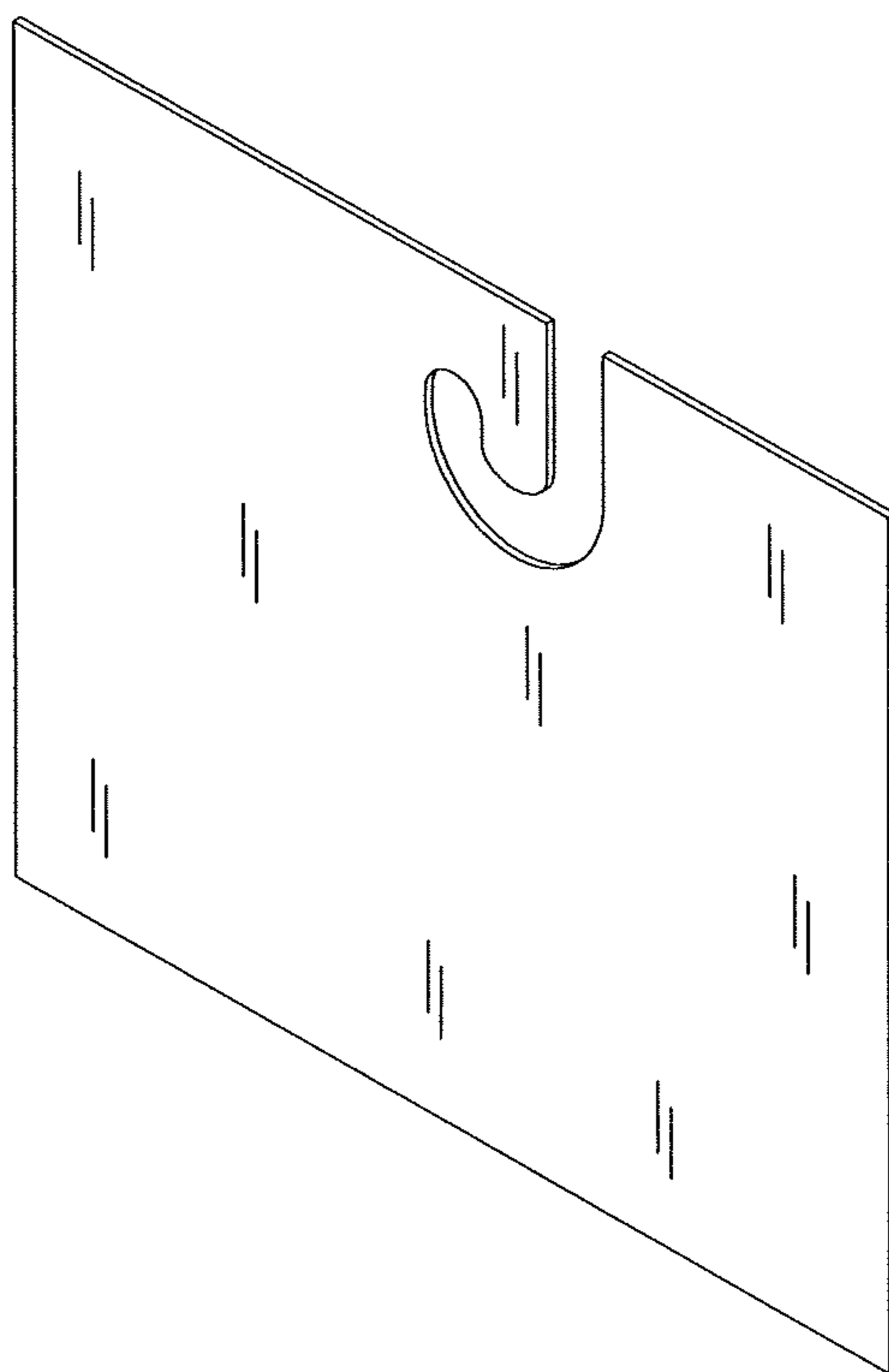
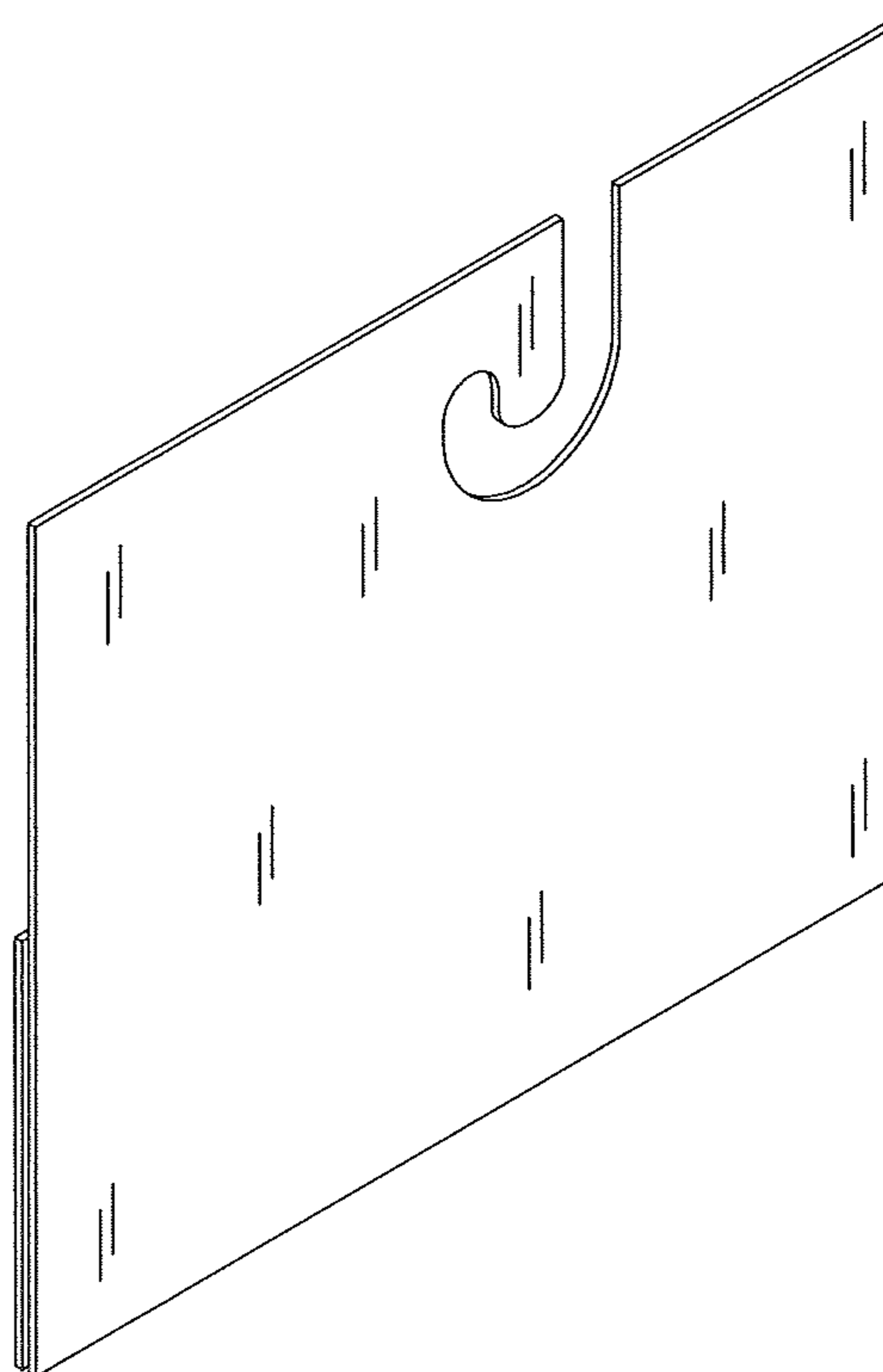


FIG. 8



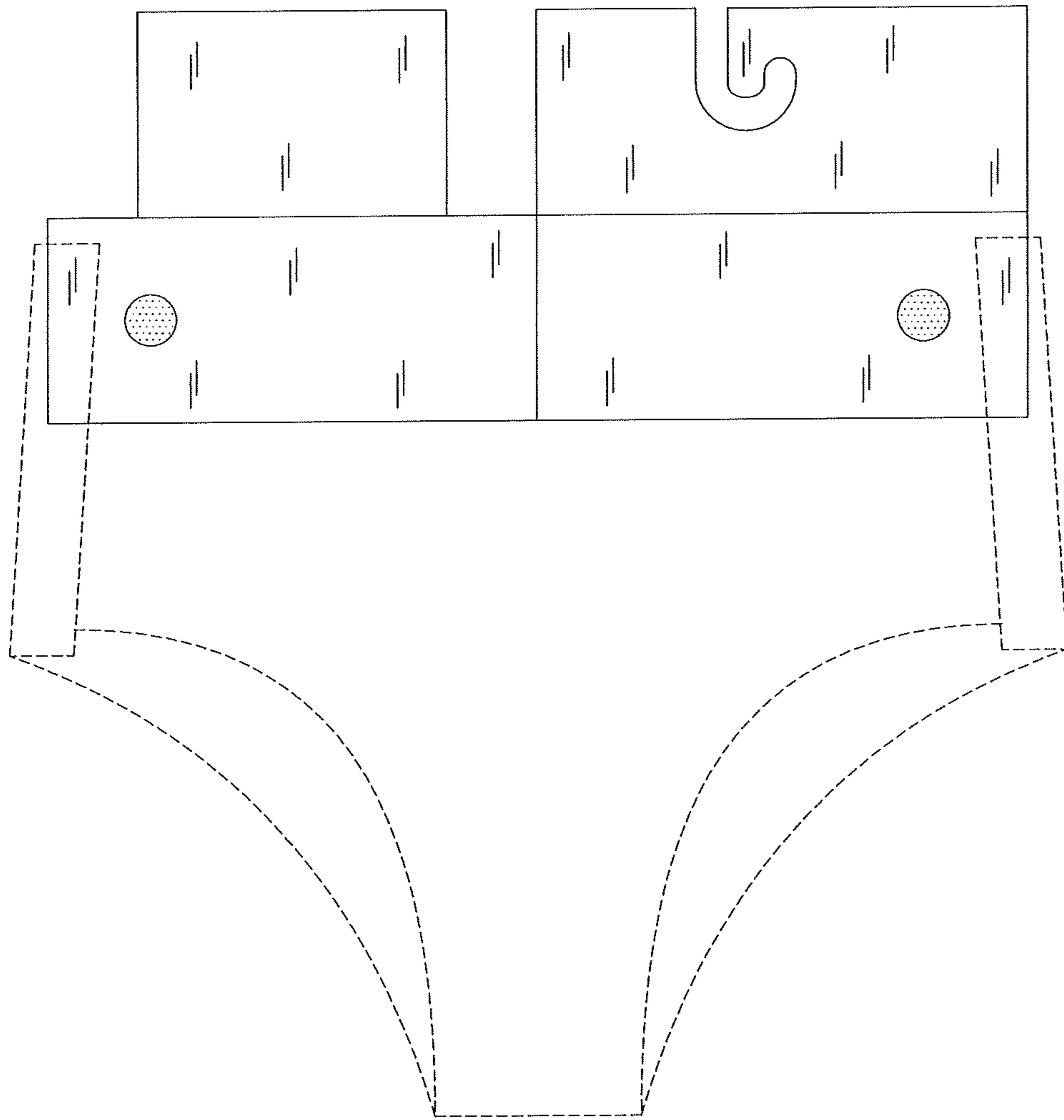


FIG. 9

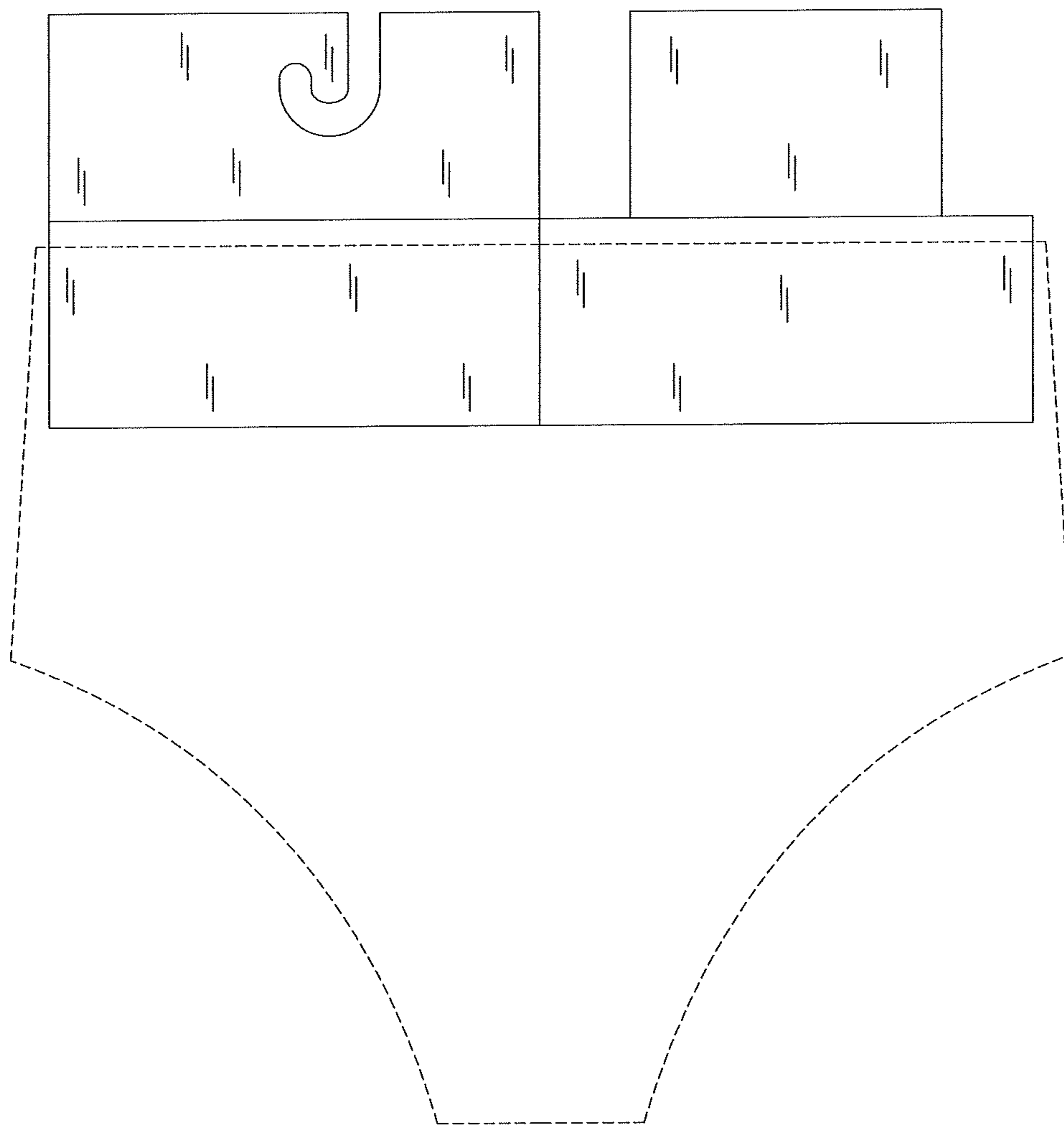


FIG. 10

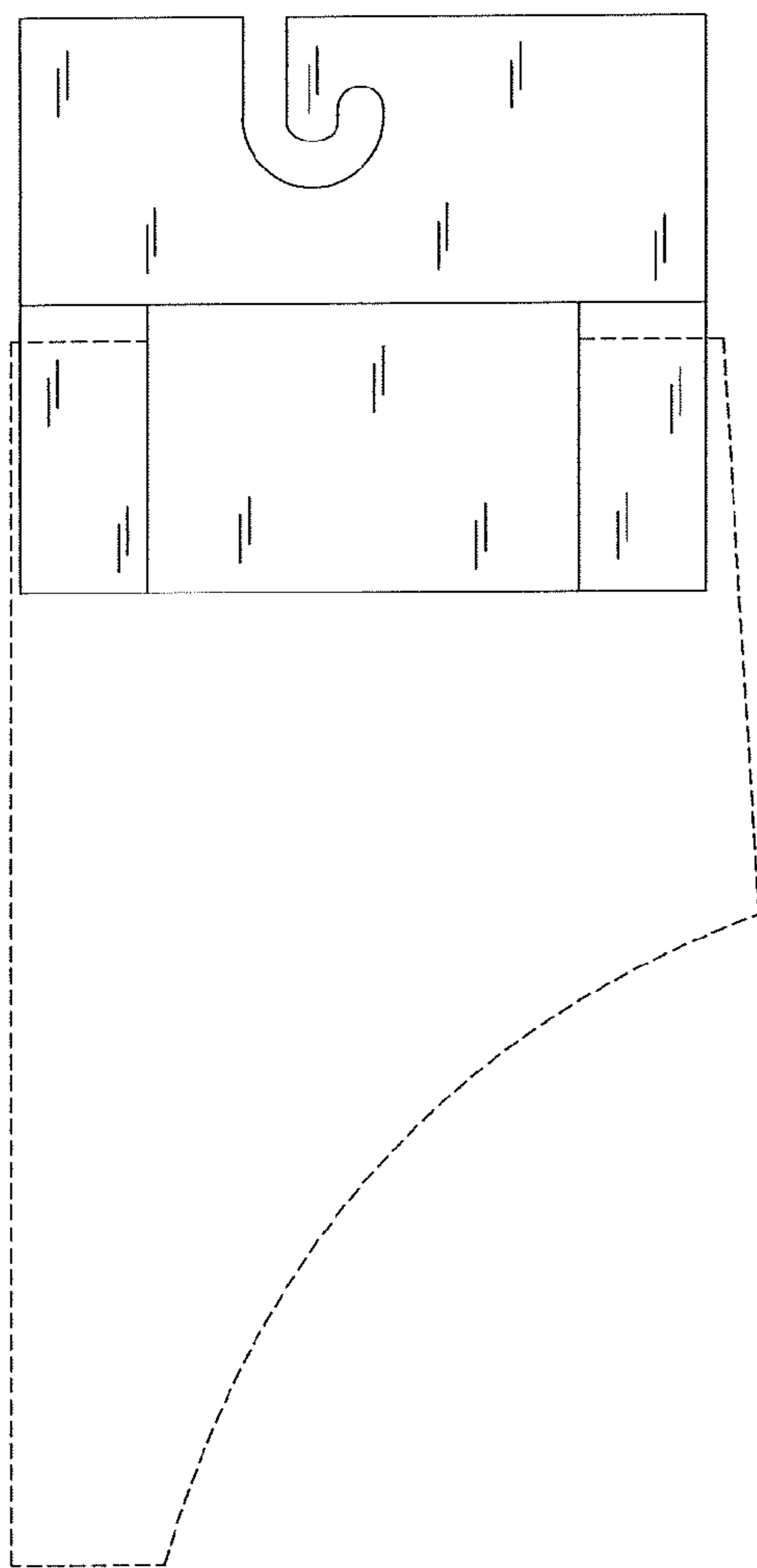


FIG. 11

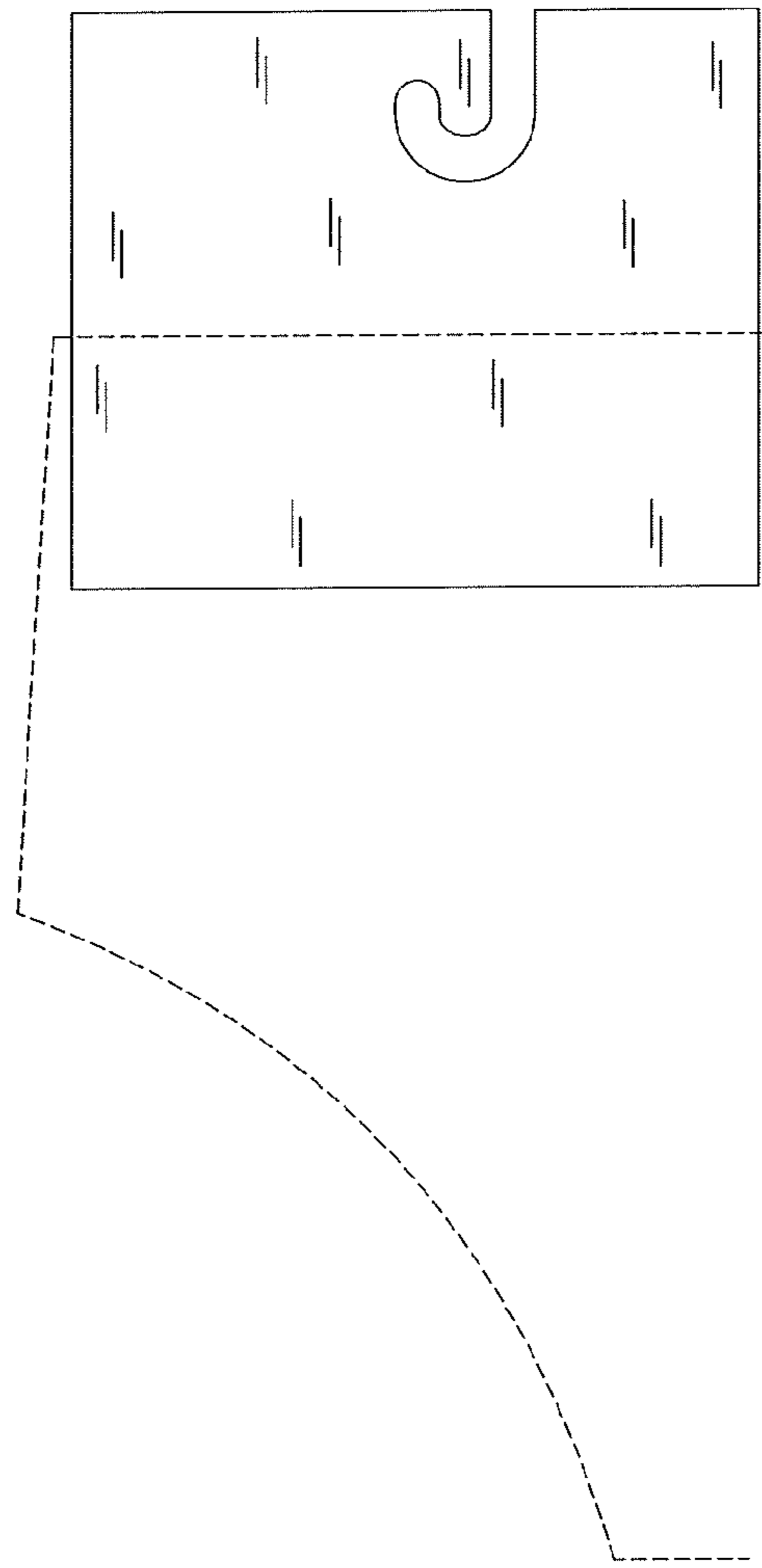


FIG. 12