

US00D753923S

(12) **United States Design Patent**
Pemberton

(10) **Patent No.:** **US D753,923 S**
(45) **Date of Patent:** **** Apr. 19, 2016**

(54) **MODULAR SPRAY ROLLER SYSTEM**

(71) Applicant: **Graco Minnesota Inc.**, Minneapolis,
MN (US)

(72) Inventor: **Dale C. Pemberton**, Big Lake, MN (US)

(73) Assignee: **Graco Minnesota Inc.**, Minneapolis,
MN (US)

(**) Term: **14 Years**

(21) Appl. No.: **29/509,793**

(22) Filed: **Nov. 21, 2014**

(51) **LOC (10) Cl.** **04-01**

(52) **U.S. Cl.**
USPC **D4/122**

(58) **Field of Classification Search**
USPC D4/122, 138; 15/27, 104.001, 104.002,
15/230.11; 492/13, 16-19
CPC B05C 1/00; B05C 1/02; B05C 17/0205;
B44D 2/00
See application file for complete search history.

(56) **References Cited**

U.S. PATENT DOCUMENTS

D439,416 S * 3/2001 Weiss D4/122
D473,055 S * 4/2003 Mann D4/122
D584,059 S * 1/2009 Arvinte D4/122

D603,609 S * 11/2009 Reed D4/122
D630,856 S * 1/2011 Arvinte D4/122
D671,749 S * 12/2012 Brown D4/122
D690,944 S * 10/2013 Lee D4/122
D700,784 S * 3/2014 Arvinte D4/122
8,819,886 B1 * 9/2014 Boukair B05C 17/0205
15/143.1
D728,945 S * 5/2015 Neal D4/122
D741,604 S * 10/2015 Typrowicz D4/122

OTHER PUBLICATIONS

Wagner Smart Flow Roller Manual dated 2012, p. 2.
Wagner SideKick Owner's Manual dated 2013, p. 3.

* cited by examiner

Primary Examiner — Austin Murphy

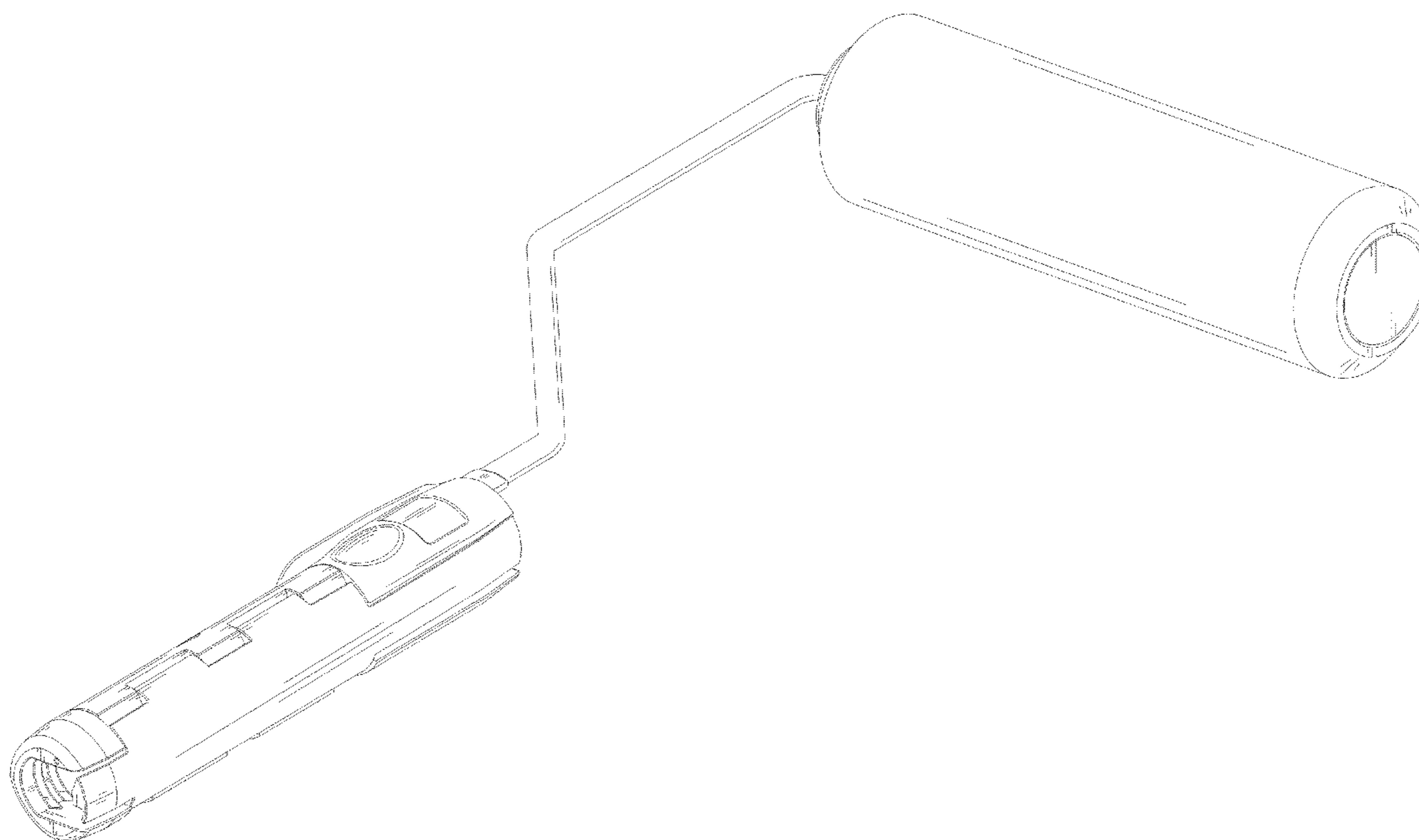
(57) **CLAIM**

The ornamental design for a modular spray roller system, as shown and described.

DESCRIPTION

FIG. 1 is a front right isometric view of a modular spray roller system;
FIG. 2 is a front view thereof,
FIG. 3 is a left side view thereof;
FIG. 4 is a rear view thereof;
FIG. 5 is a right side view thereof;
FIG. 6 is a top view thereof; and,
FIG. 7 is a bottom view of a modular spray roller system.

1 Claim, 6 Drawing Sheets



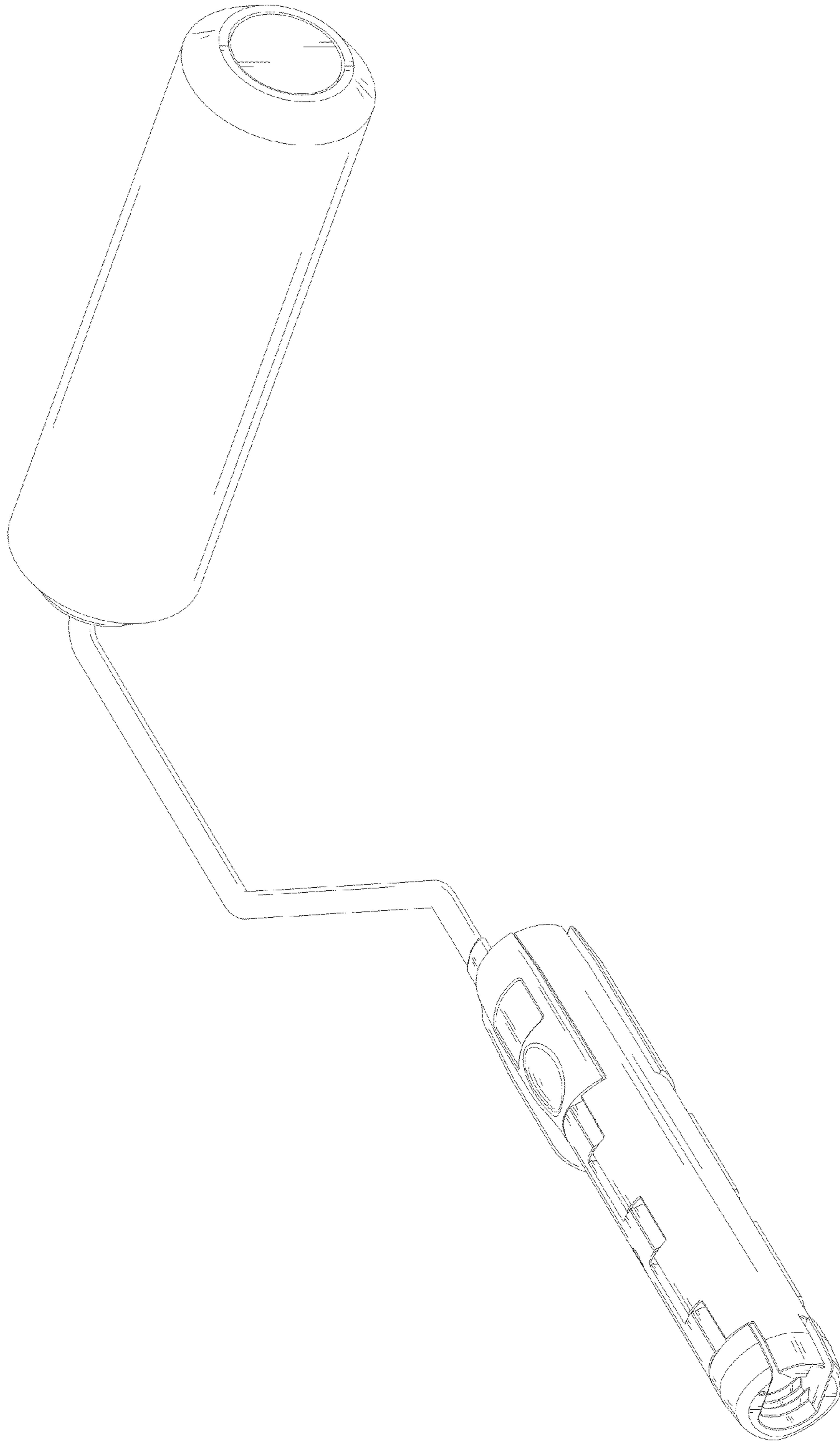


FIG. 1

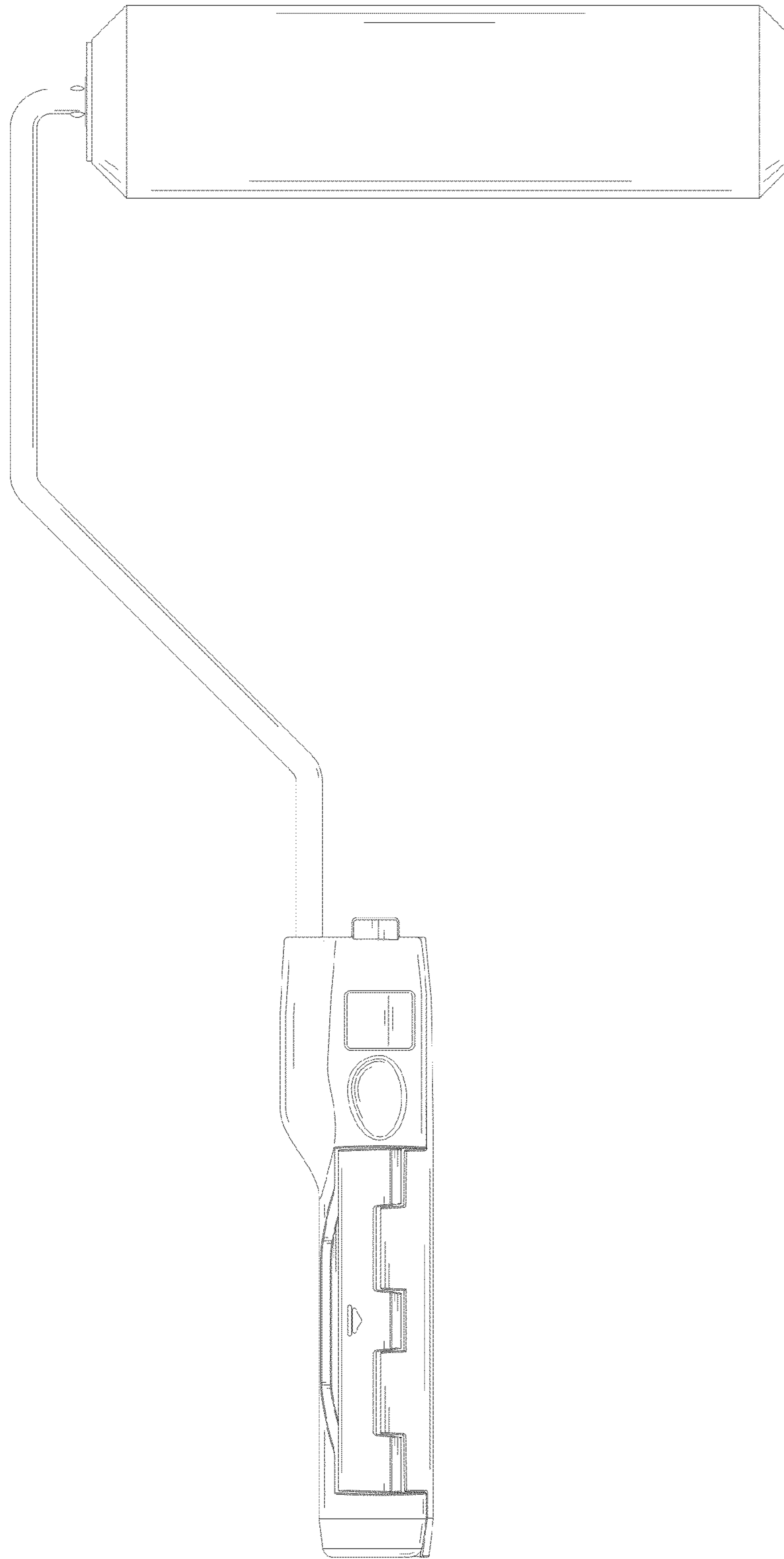


FIG. 2

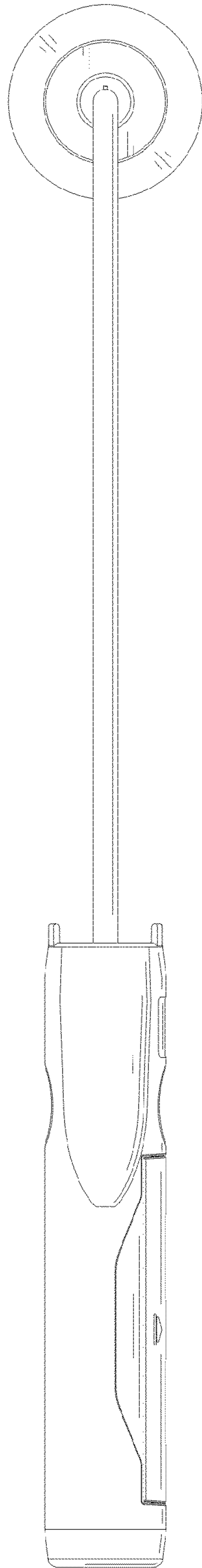


FIG. 3

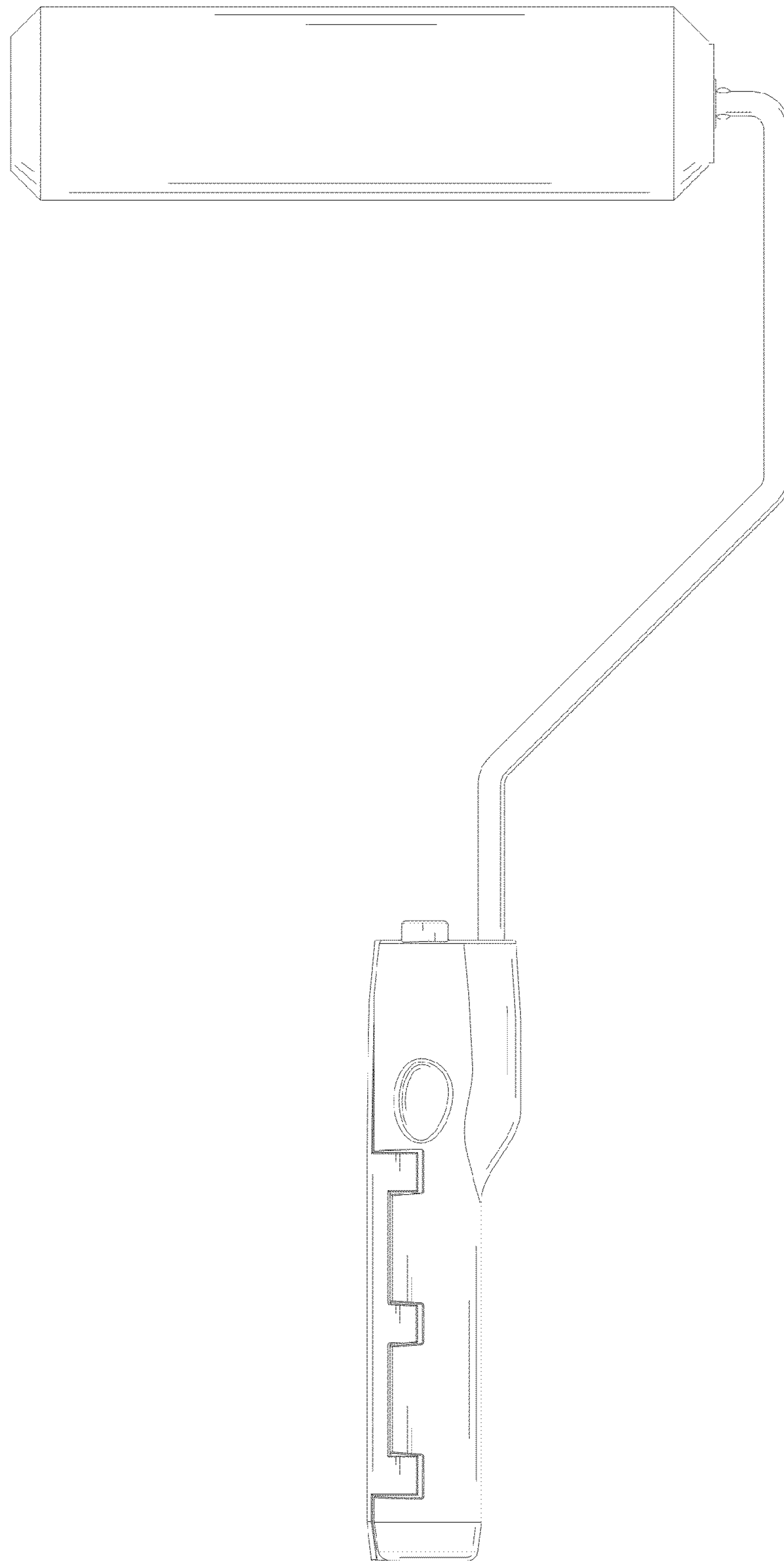


FIG. 4

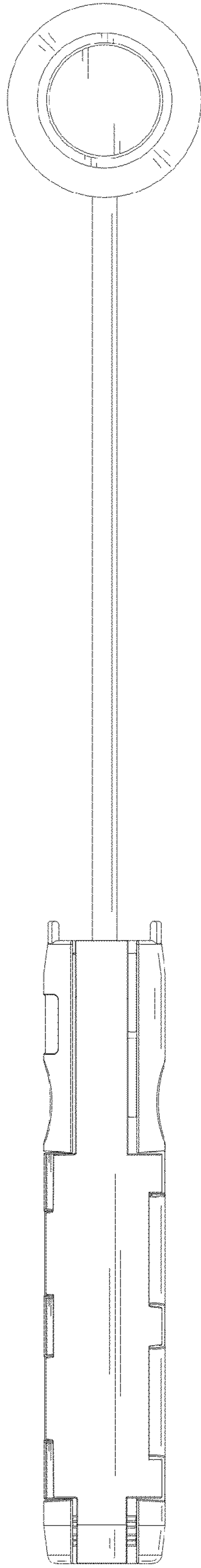


FIG. 5

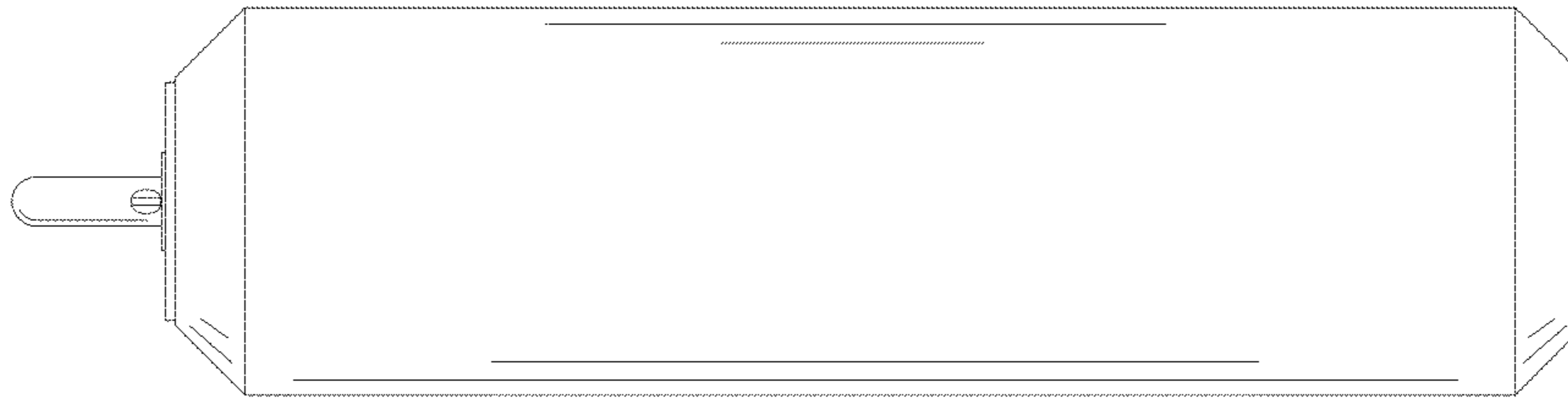


FIG. 6

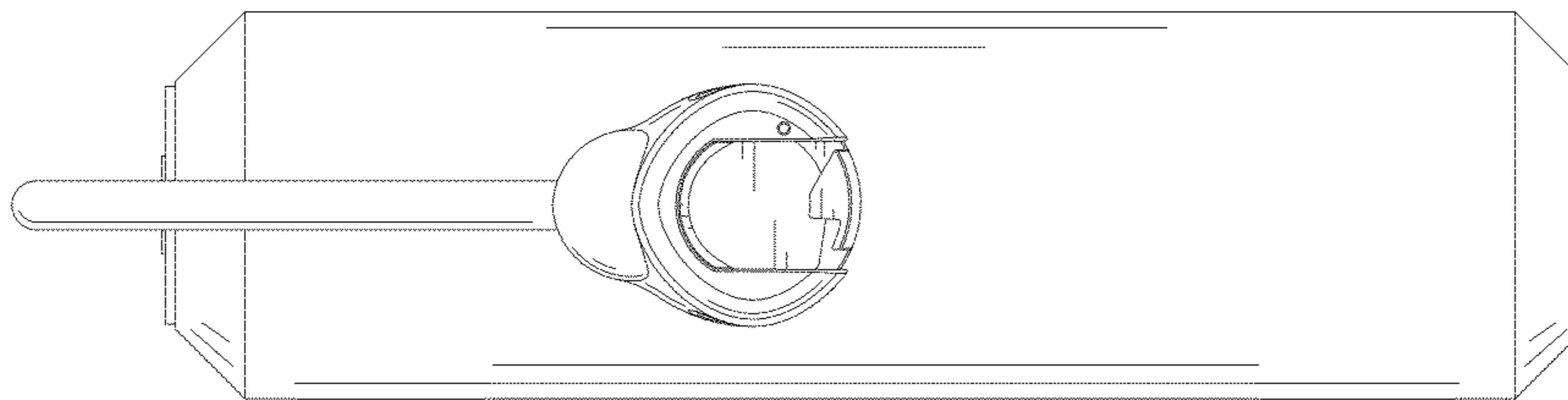


FIG. 7