



US00D753920S

(12) **United States Design Patent**  
**Parker**

(10) **Patent No.:** **US D753,920 S**  
(45) **Date of Patent:** **\*\* Apr. 19, 2016**

(54) **LUGGAGE WHEEL**

(71) Applicant: **Samsonite IP Holdings S.ar.l.**,  
Luxembourg (LU)

(72) Inventor: **Garrett K. W. Parker**, Berkley, MA  
(US)

(73) Assignee: **Samsonite IP Holdings S.a r.l.**,  
Luxembourg (LU)

(\*\*) Term: **14 Years**

(21) Appl. No.: **29/515,660**

(22) Filed: **Jan. 26, 2015**

**Related U.S. Application Data**

(62) Division of application No. 29/440,204, filed on Dec.  
19, 2012, now Pat. No. Des. 721,497.

(51) **LOC (10) Cl.** ..... **03-01**

(52) **U.S. Cl.**

USPC ..... **D3/318; D8/375**

(58) **Field of Classification Search**

USPC ..... **D3/318; D8/375**

CPC ..... **A45C 5/00; A45C 13/00**

See application file for complete search history.

(56) **References Cited**

**U.S. PATENT DOCUMENTS**

4,084,288	A	4/1978	Black
D359,676	S	6/1995	Liang
5,634,538	A	6/1997	Tsai
D421,338	S	3/2000	Moon
D433,088	S	10/2000	Galy
D434,904	S	12/2000	Huang
6,193,324	B1	2/2001	Chang
D438,382	S	3/2001	Chang
D439,410	S	3/2001	Chang
6,256,835	B1	7/2001	Wang

D448,278	S	9/2001	Chi
D448,826	S	10/2001	Galy
6,322,156	B1	11/2001	Kuo
6,354,412	B1	3/2002	Kuo
D470,748	S	2/2003	Tsai
D473,379	S	4/2003	Moon
D481,931	S	11/2003	Chi
D482,265	S	11/2003	Wicha
D484,028	S	12/2003	Moon
D487,348	S	3/2004	Fenton et al.

(Continued)

**FOREIGN PATENT DOCUMENTS**

EM 002514364-0002 8/2014

*Primary Examiner* — Holly Baynham

(74) *Attorney, Agent, or Firm* — Dorsey & Whitney LLP

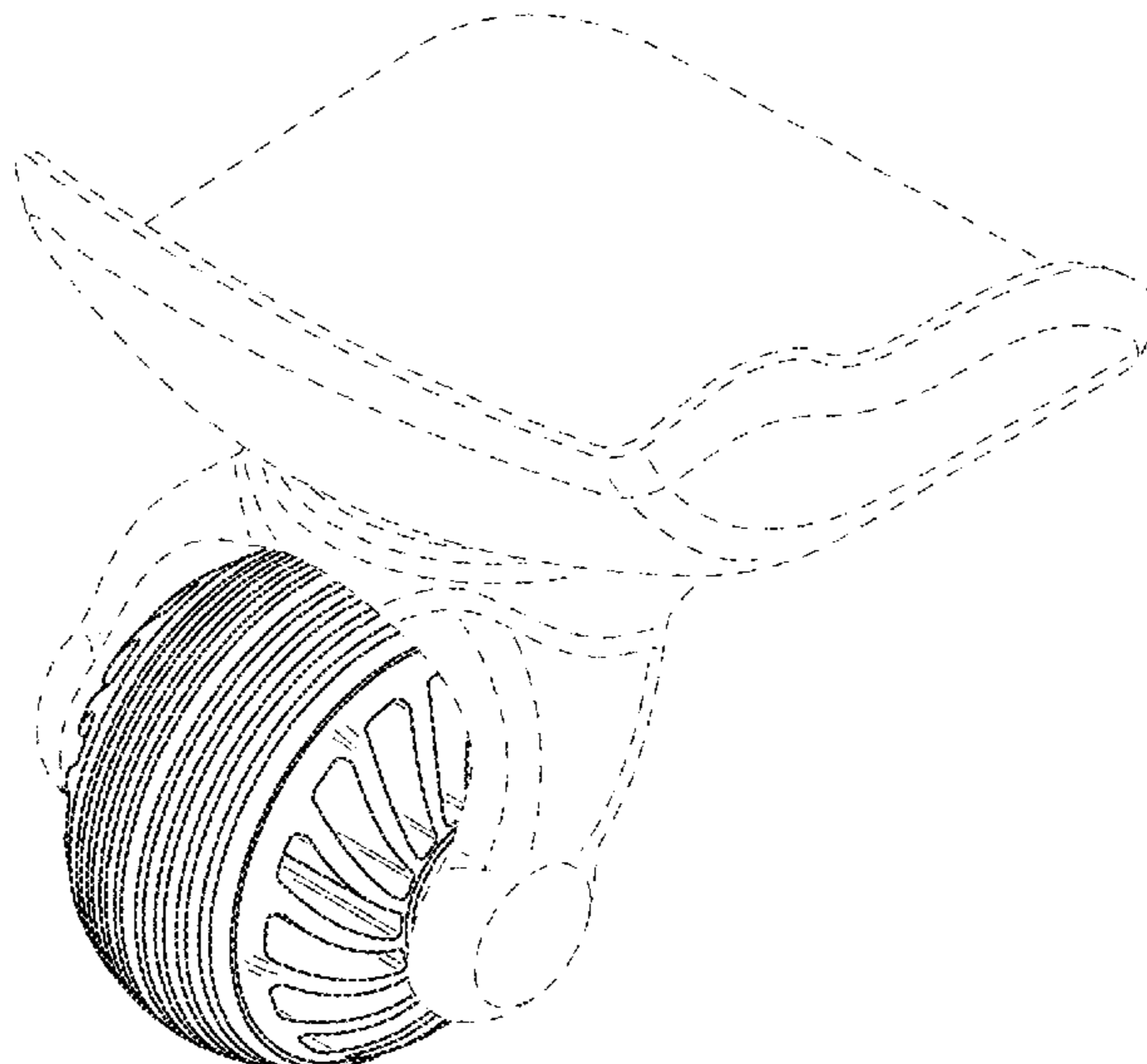
(57) **CLAIM**

The ornamental design for a luggage wheel, as shown and described.

**DESCRIPTION**

FIG. 1 shows a front perspective view of a luggage wheel; FIG. 2 shows another front perspective view of the luggage wheel of FIG. 1; FIG. 3 shows a front elevation view of the luggage wheel of FIG. 1; FIG. 4 shows a right elevation view of the luggage wheel of FIG. 1; FIG. 5 shows a rear elevation view of the luggage wheel of FIG. 1; FIG. 6 shows a left elevation view of the luggage wheel of FIG. 1; FIG. 7 shows a top view of the luggage wheel of FIG. 1; and, FIG. 8 shows a bottom view of the luggage wheel of FIG. 1. The broken lines showing wheel housing are for the purposes of illustrating environment and form no part of the claimed design.

**1 Claim, 8 Drawing Sheets**



(56)

References Cited

U.S. PATENT DOCUMENTS

D491,365 S	6/2004	Proot	D581,161 S	11/2008	Tong
D492,894 S	7/2004	Cheng	D582,160 S	12/2008	Sijmons
D496,259 S	9/2004	Cheng	D582,678 S	12/2008	Rekuc
D505,316 S	5/2005	Topel	7,506,404 B2	3/2009	Block et al.
D513,560 S	1/2006	Neumann	D592,490 S	5/2009	Frame
D525,033 S	7/2006	Neumann	D603,163 S	11/2009	Van Himbeeck
D539,543 S	4/2007	Wu	7,832,533 B2	11/2010	Selvi
D541,047 S *	4/2007	Moon ..... D3/318	D633,299 S	3/2011	Moon
D541,048 S	4/2007	Moon	8,020,679 B2	9/2011	Wu
D550,950 S	9/2007	Vanderminden	D659,395 S	5/2012	Sijmons
D557,900 S	12/2007	Sijmons	D703,442 S	4/2014	Parker
D575,512 S	8/2008	Moon	D718,938 S	12/2014	Parker
D575,957 S	9/2008	Scicluna et al.	D721,497 S	1/2015	Parker
D576,407 S	9/2008	Moon	D721,501 S	1/2015	Parker
7,437,801 B2	10/2008	Dahl	D732,293 S	6/2015	Parker et al.
			D741,599 S	10/2015	Parker
			2014/0041978 A1	2/2014	Chang
			2014/0110204 A1	4/2014	Wu

\* cited by examiner

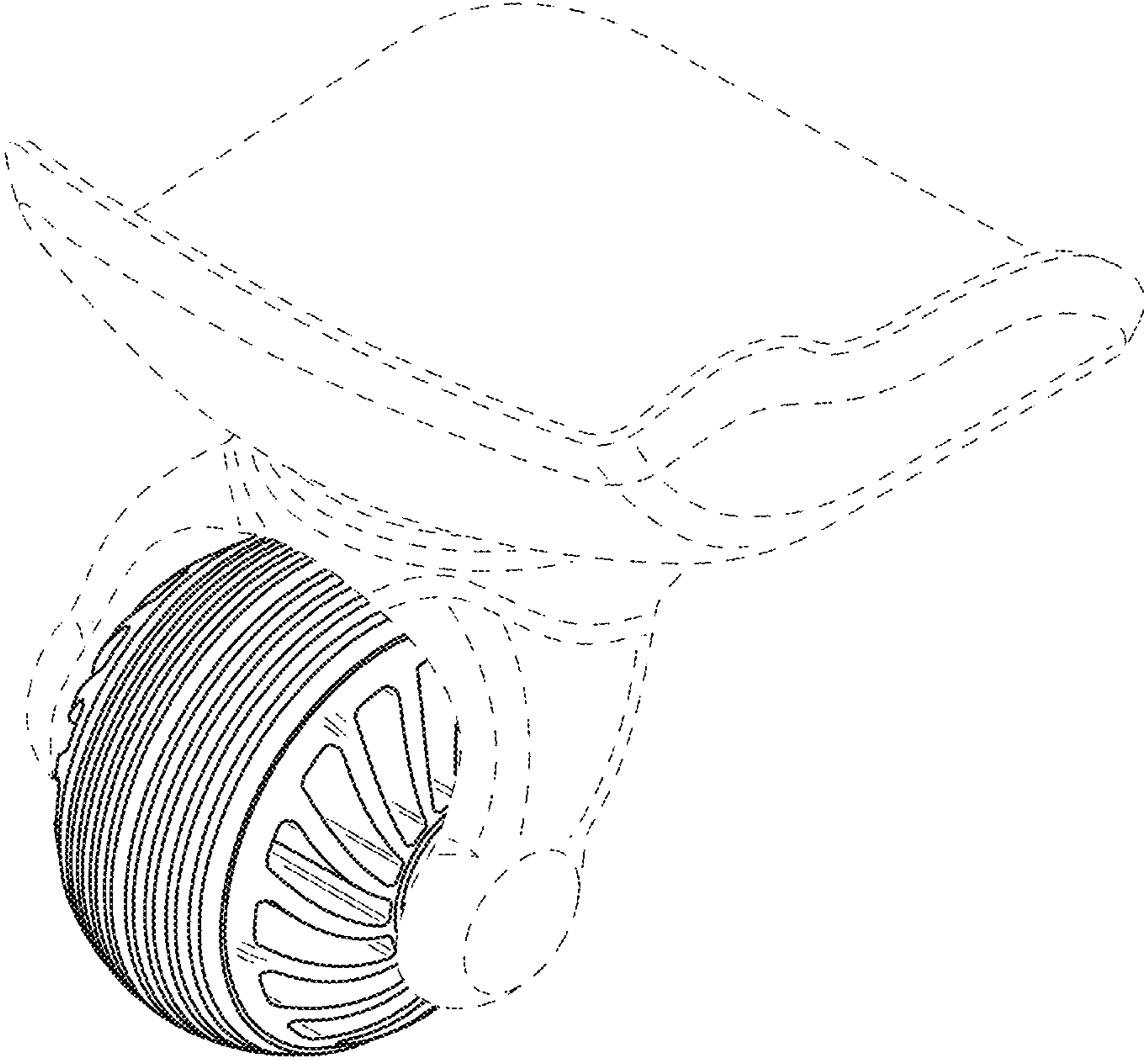


FIG. 1

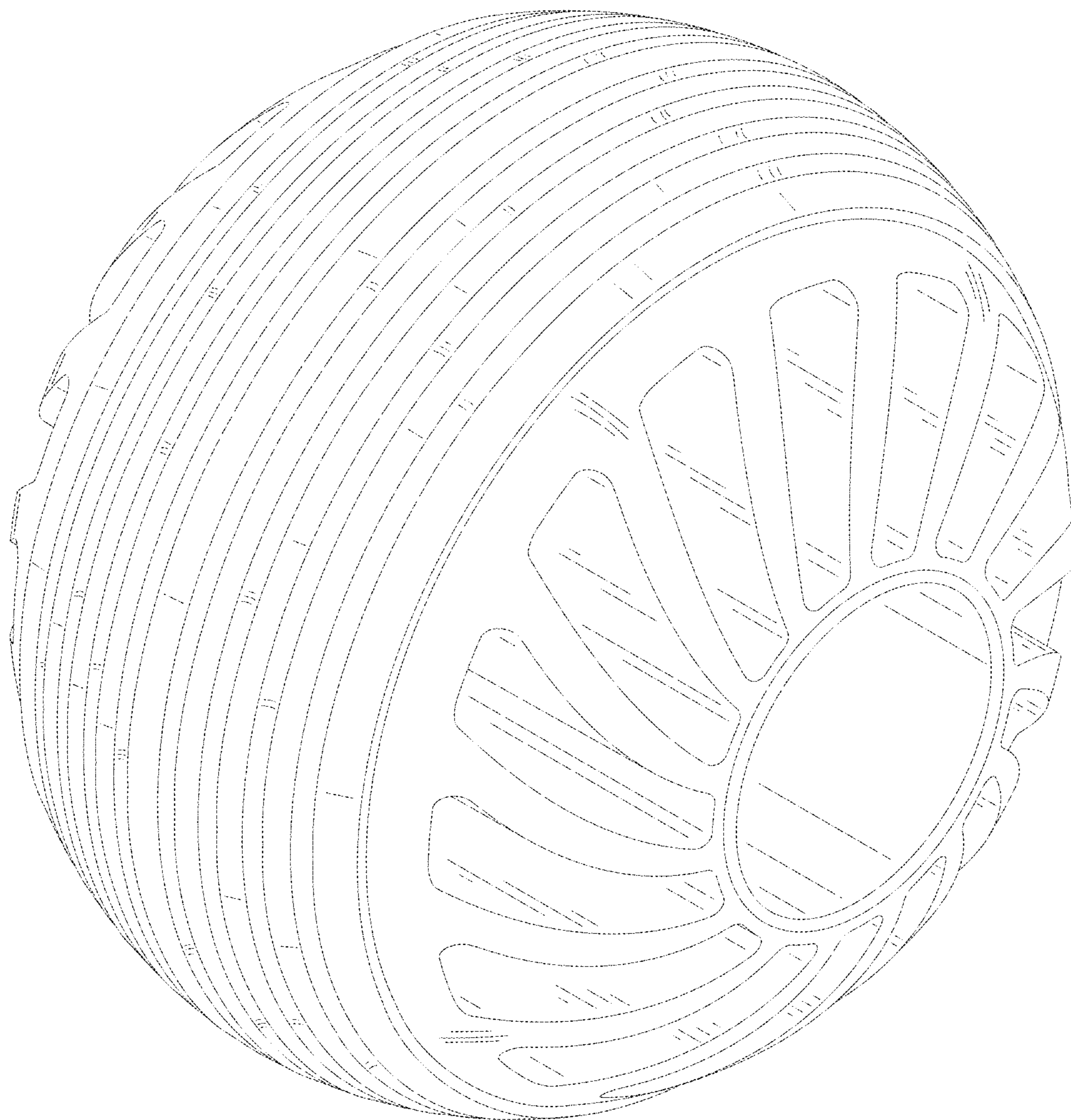


FIG.2





FIG.3

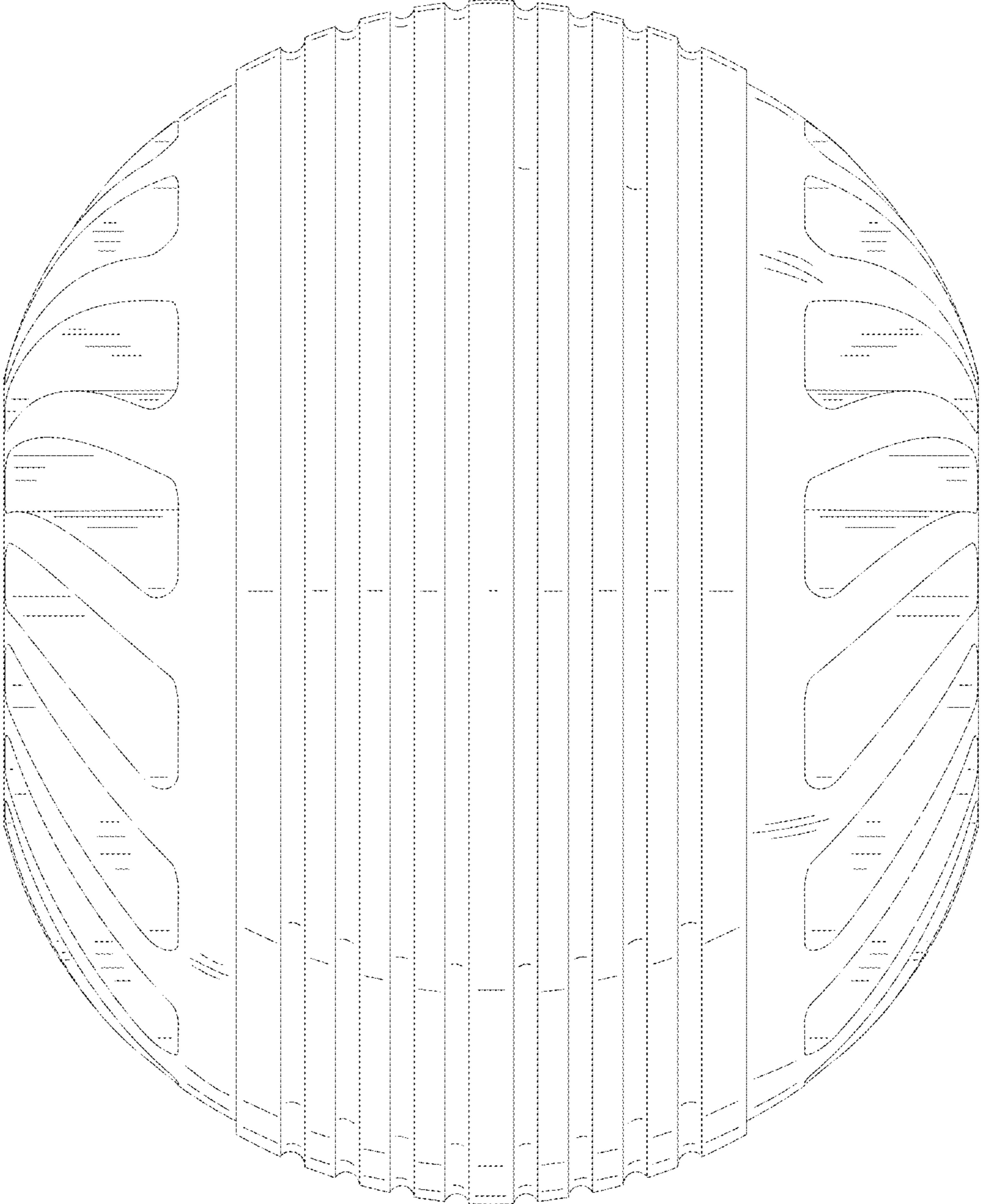


FIG.4



FIG.5



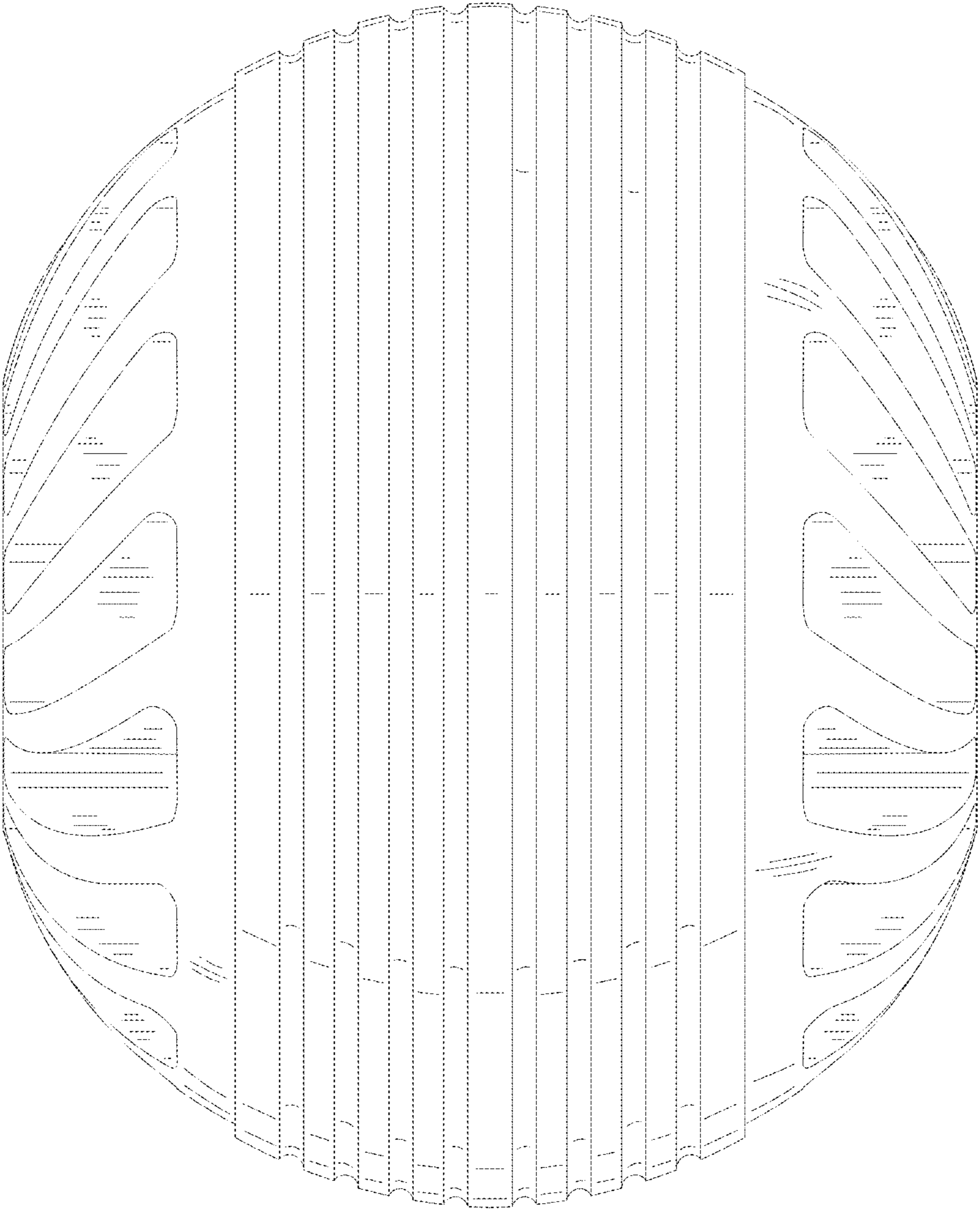


FIG.6





FIG.7

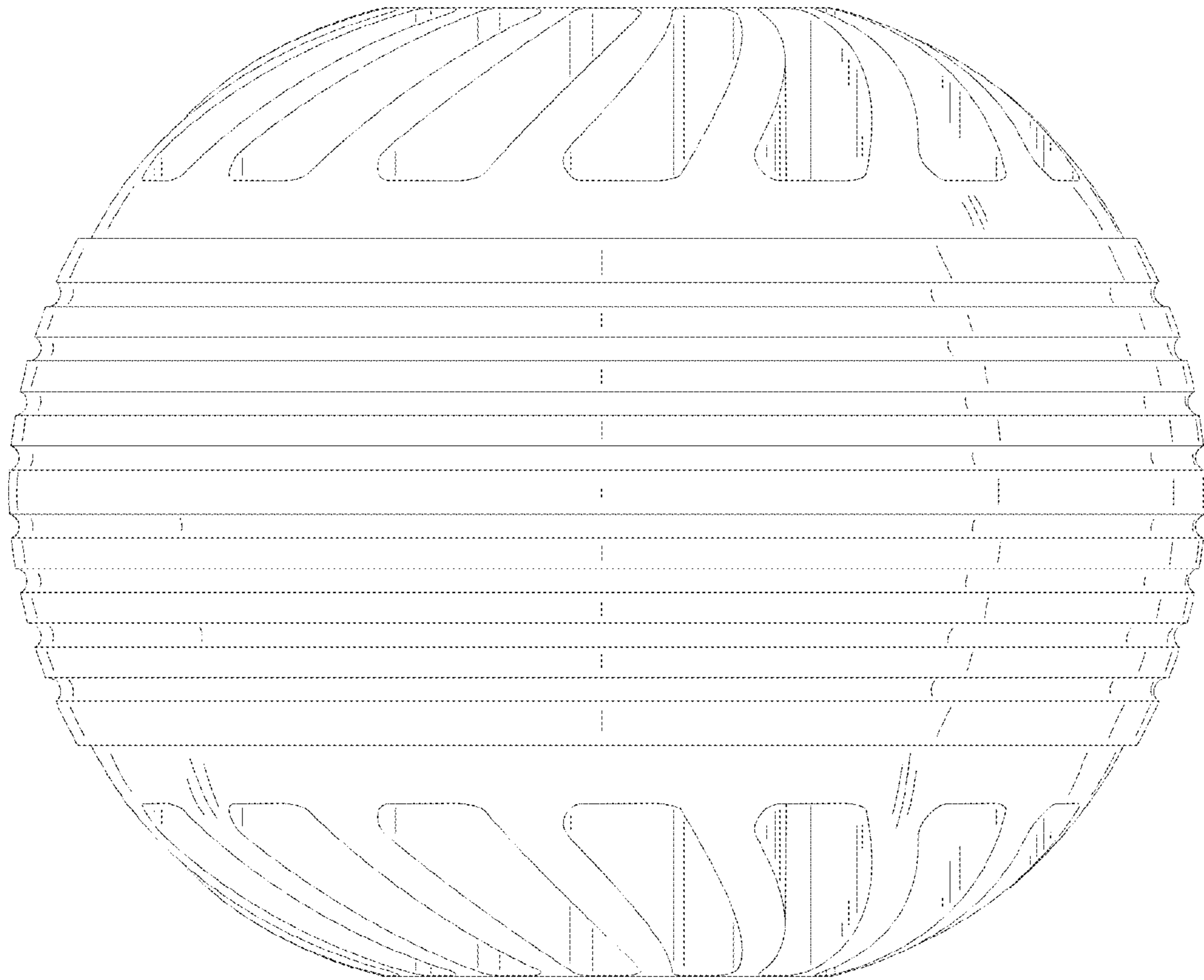


FIG.8