



US00D753916S

(12) **United States Design Patent**  
**Park**

(10) **Patent No.:** **US D753,916 S**  
(45) **Date of Patent:** **\*\* Apr. 19, 2016**

(54) **PORTABLE COVER FOR FOLDING GOLF HAND CART**

(71) Applicant: **John M. Park**, Gig Harbor, WA (US)

(72) Inventor: **John M. Park**, Gig Harbor, WA (US)

(\*\*) Term: **14 Years**

(21) Appl. No.: **29/500,221**

(22) Filed: **Aug. 22, 2014**

**Related U.S. Application Data**

(63) Continuation-in-part of application No. 12/383,782, filed on Mar. 26, 2009, now abandoned.

(51) **LOC (10) Cl.** ..... **03-01**

(52) **U.S. Cl.**  
USPC ..... **D3/255**

(58) **Field of Classification Search**  
USPC ..... D3/201, 203, 203.5, 204, 205, 206, 217, D3/221, 229, 218, 227, 232-233, 239, D3/240-243, 245, 246, 249, 255, 260, 261, D3/262, 271.12, 289, 301, 303, 318, 323, D3/327, 328, 900; D8/97, 107, 300, 303, D8/313, 314, 321; D15/5, 18  
CPC ..... A63B 55/10; A63B 55/408; A45C 3/08  
See application file for complete search history.

(56) **References Cited**

**U.S. PATENT DOCUMENTS**

2,628,801 A	2/1953	Gunning
2,718,251 A	9/1955	Barbato
2,868,559 A	1/1959	Vincelette
3,288,189 A	11/1966	Davis
3,316,951 A	5/1967	Jacobson
3,738,677 A	6/1973	Renock
4,017,091 A	4/1977	Wallen
D286,930 S	11/1986	Plowey
4,629,202 A	12/1986	Nelson et al.
D314,468 S	2/1991	Wolever

D318,370 S	7/1991	White	
D341,485 S	11/1993	Brengel	
5,265,894 A	11/1993	Dunn	
D352,167 S	11/1994	Sheppard, Jr.	
D360,296 S *	7/1995	Hunsaker	D3/255
D385,418 S *	10/1997	Bisson	D3/255
5,810,064 A	9/1998	Sanderson et al.	
D409,833 S	5/1999	Coward, III	
5,975,170 A	11/1999	Anguiano	
D421,838 S *	3/2000	Bradshaw	D3/255
6,164,425 A *	12/2000	Latshaw	A45C 5/14 190/108
6,557,702 B1	5/2003	Sanderson et al.	
6,612,412 B2	9/2003	Sanderson et al.	
D483,943 S *	12/2003	Ferrara, Jr.	D3/255
7,147,243 B2	12/2006	Kady	

(Continued)

*Primary Examiner* — Robert M Spear

*Assistant Examiner* — Eliza Bennett-Hattan

(74) *Attorney, Agent, or Firm* — Robert C Montgomery; Montgomery Patent & Design LP

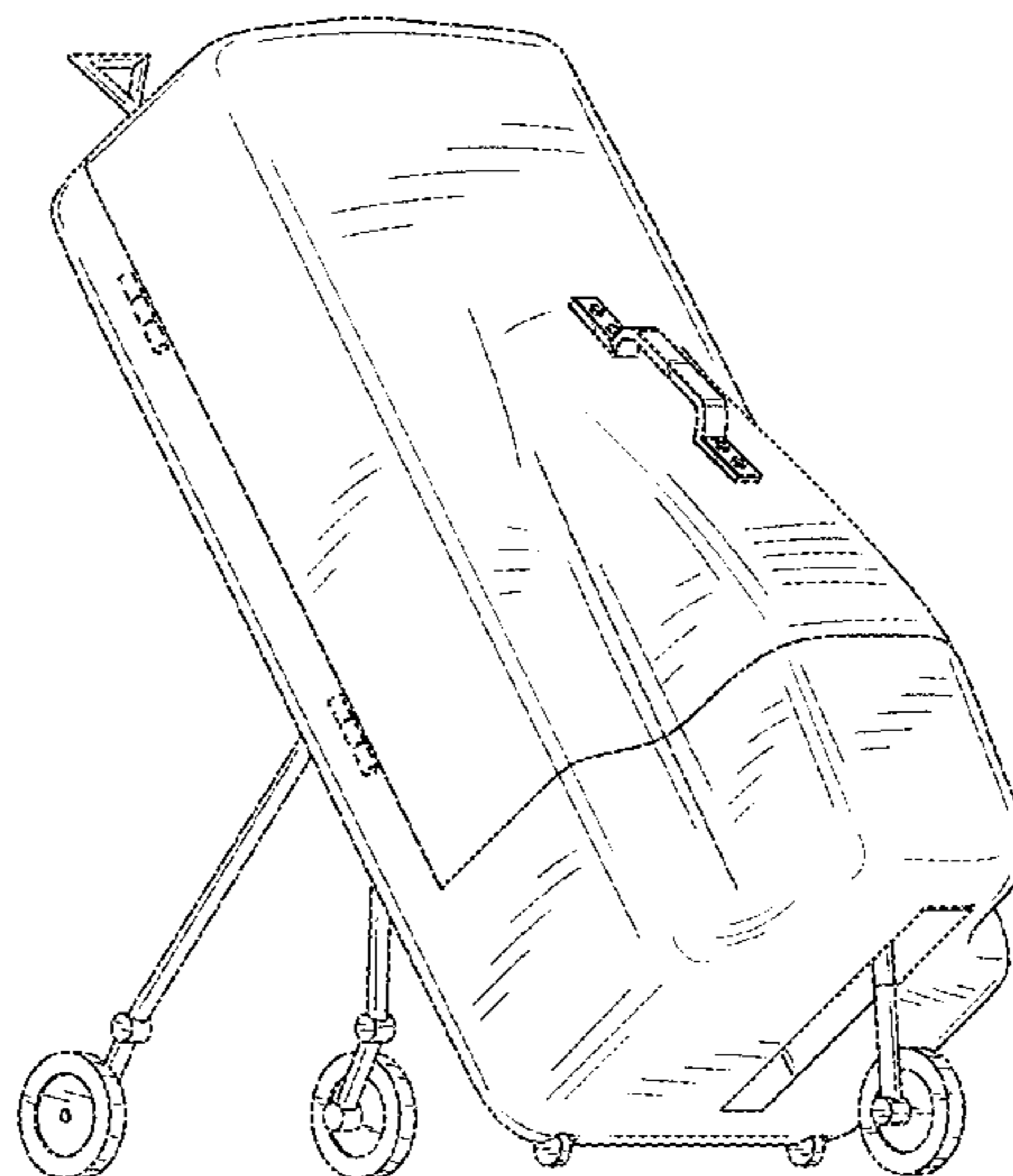
(57) **CLAIM**

The ornamental design for a portable cover for a folding golf hand cart, as shown and described.

**DESCRIPTION**

FIG. 1 is a perspective front view of the portable cover for a folding golf hand cart, showing my new design; FIG. 2 is a perspective back view thereof; FIG. 3 is a front view thereof; FIG. 4 is a back view thereof; FIG. 5 is a right side view thereof; FIG. 6 is a left side view thereof; FIG. 7 is a top view thereof; FIG. 8 is a bottom view thereof; and, FIG. 9 is a perspective back view with the rear wheels stored within the carrier. The broken lines in the drawing depict environmental subject matter only and form no part of the claimed design.

**1 Claim, 7 Drawing Sheets**



# US D753,916 S

Page 2

---

(56)

## References Cited

### U.S. PATENT DOCUMENTS

D593,322 S \* 6/2009 Blyth ..... D3/255  
D642,798 S \* 8/2011 McCollum ..... D3/279

D664,765 S \* 8/2012 Saia ..... D3/279  
D718,527 S \* 12/2014 Enes ..... D3/261  
D725,453 S \* 3/2015 Lodato ..... D8/91  
D729,519 S \* 5/2015 Clough ..... D3/279

\* cited by examiner

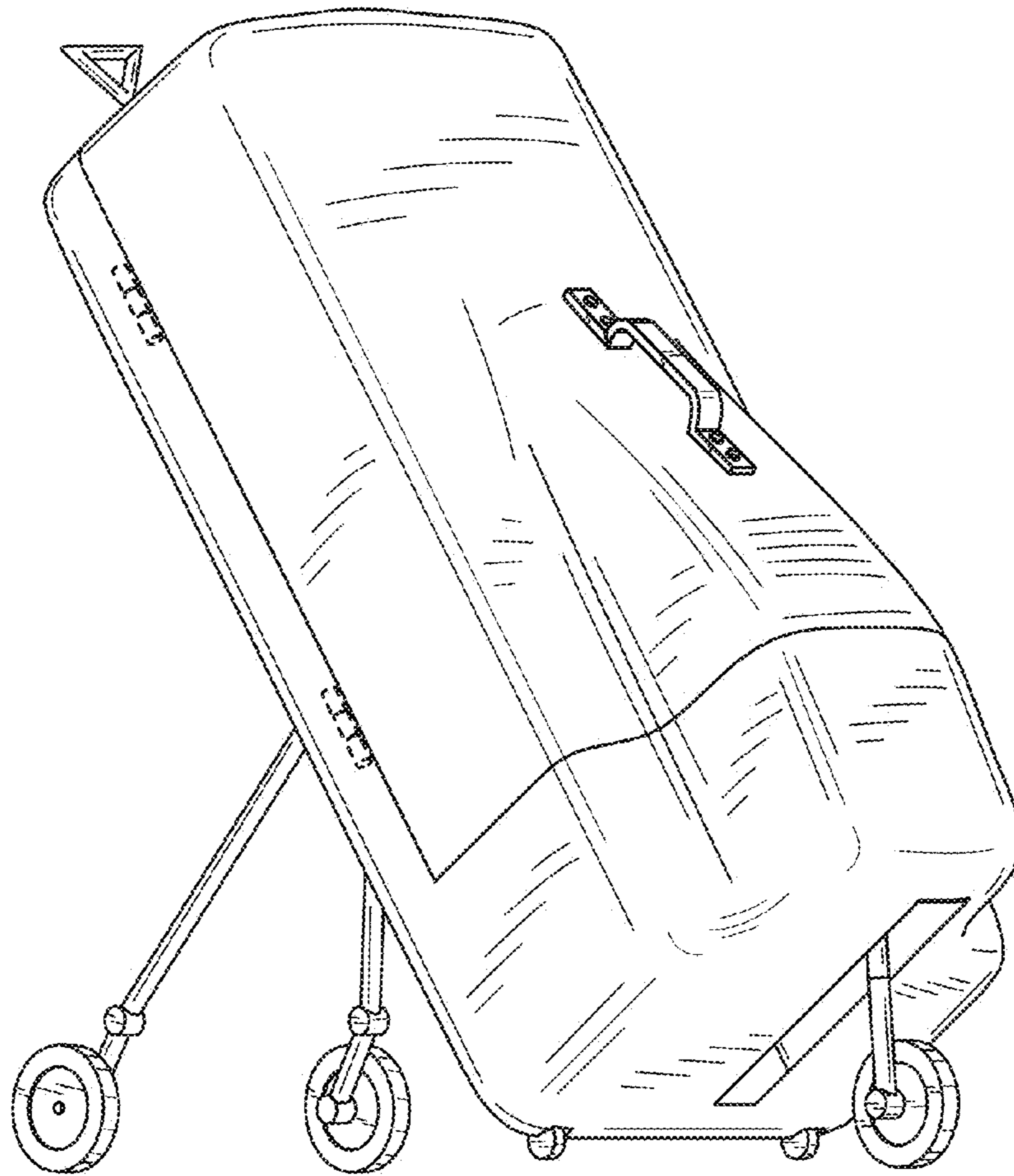


Fig. 1



Fig. 2

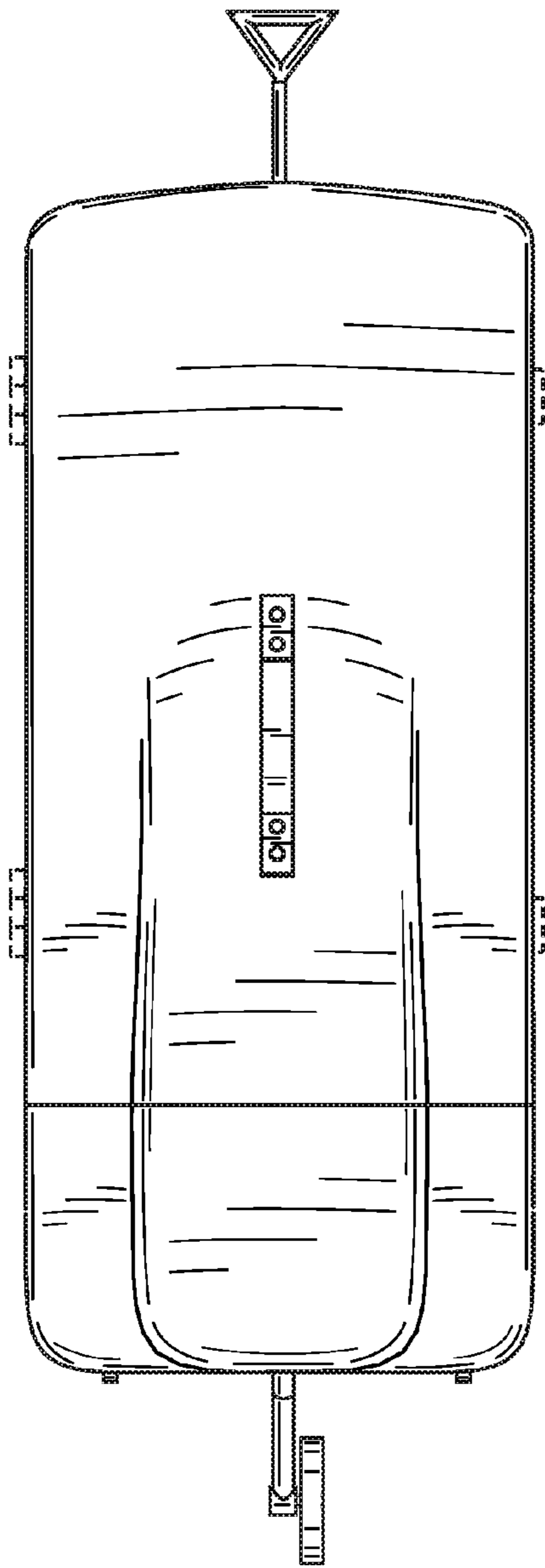


Fig. 3

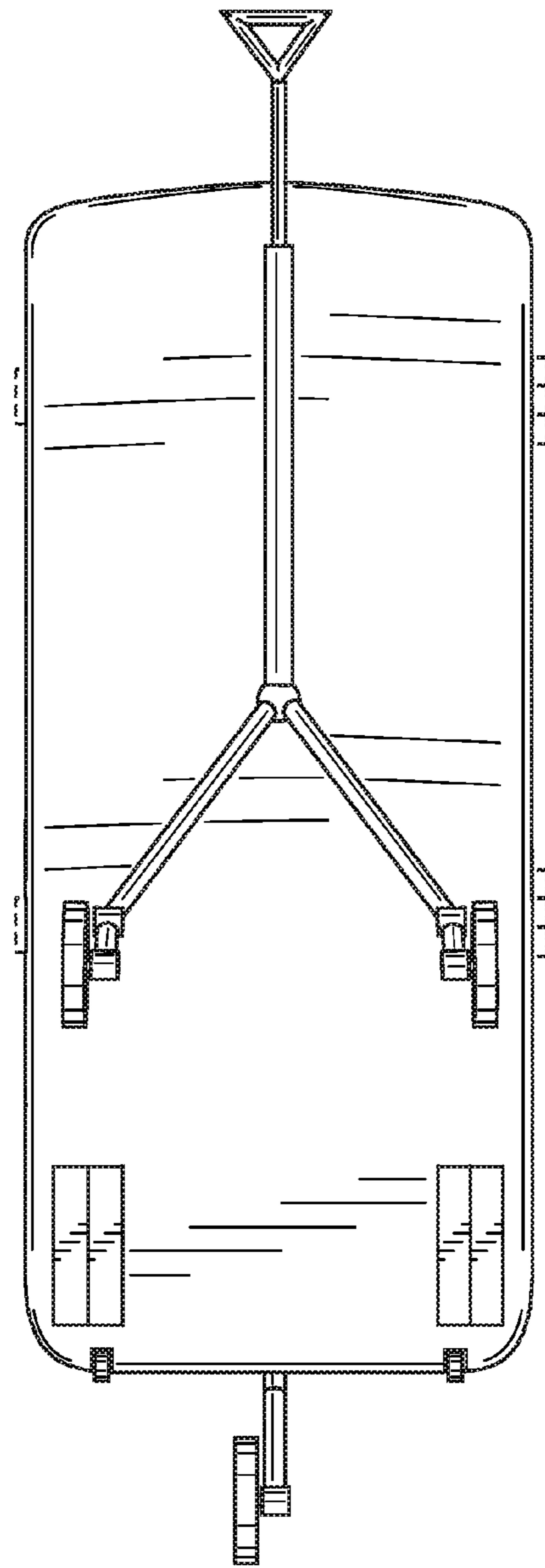


Fig. 4

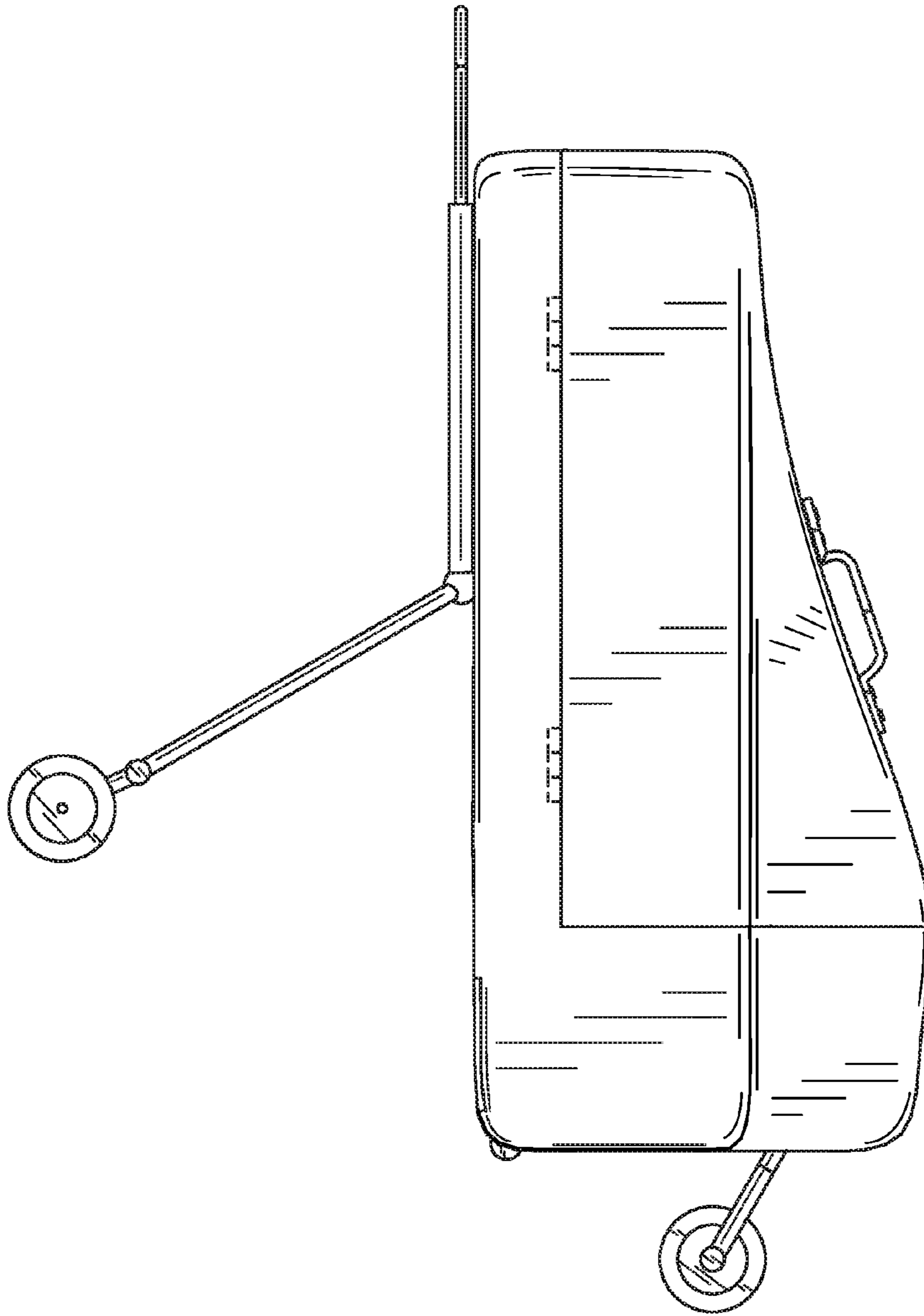


Fig. 5

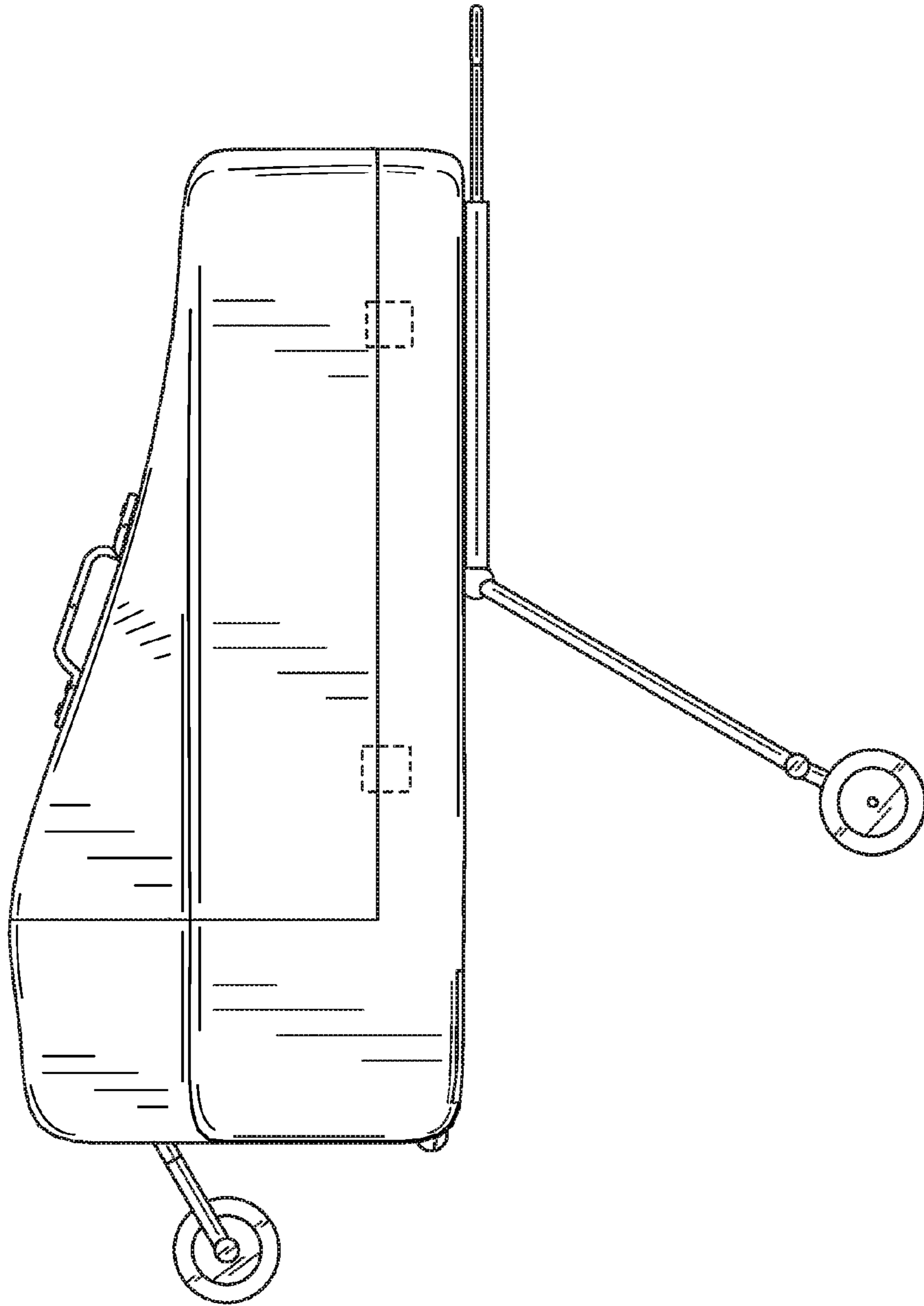


Fig. 6

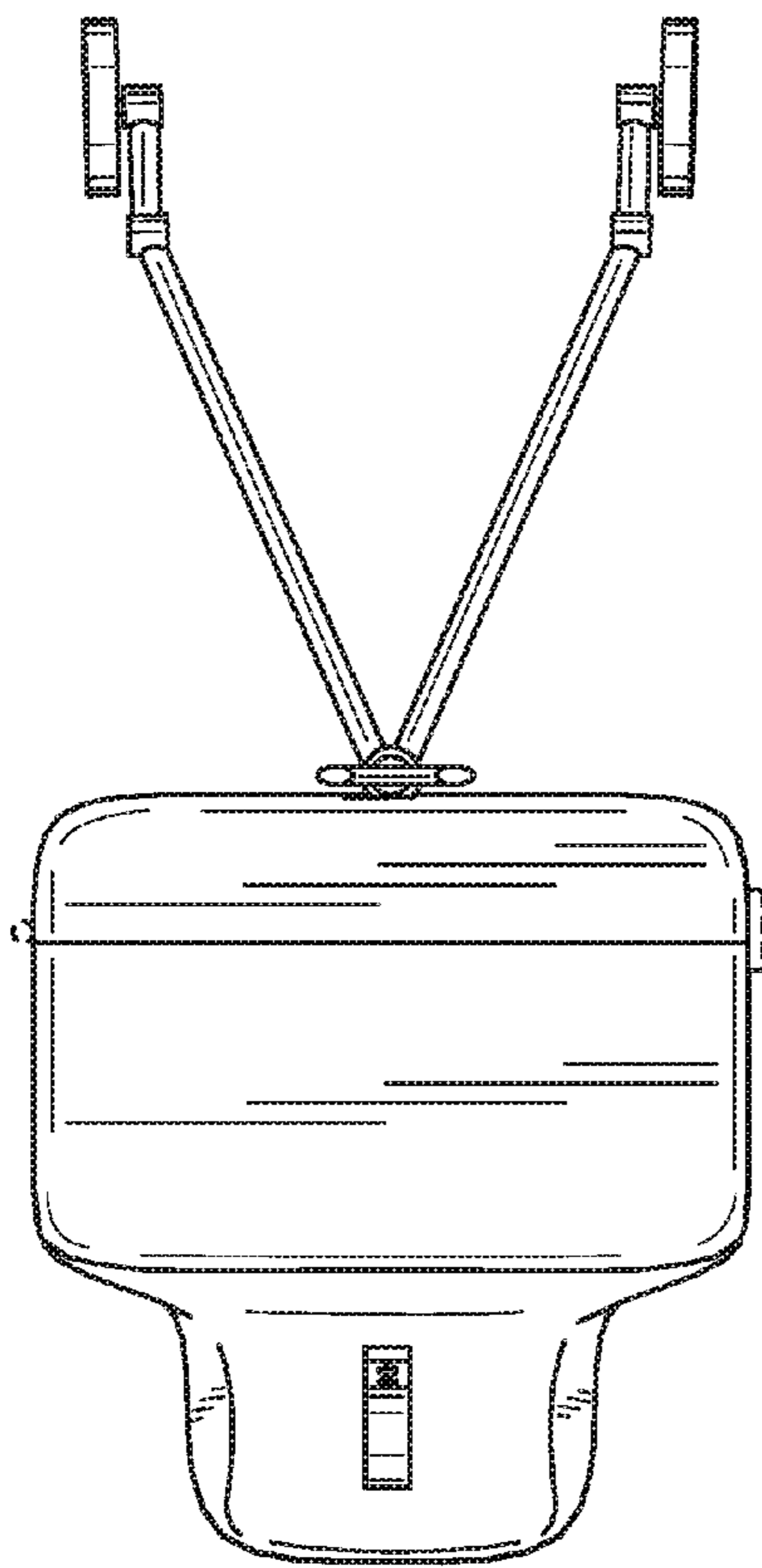


Fig. 7

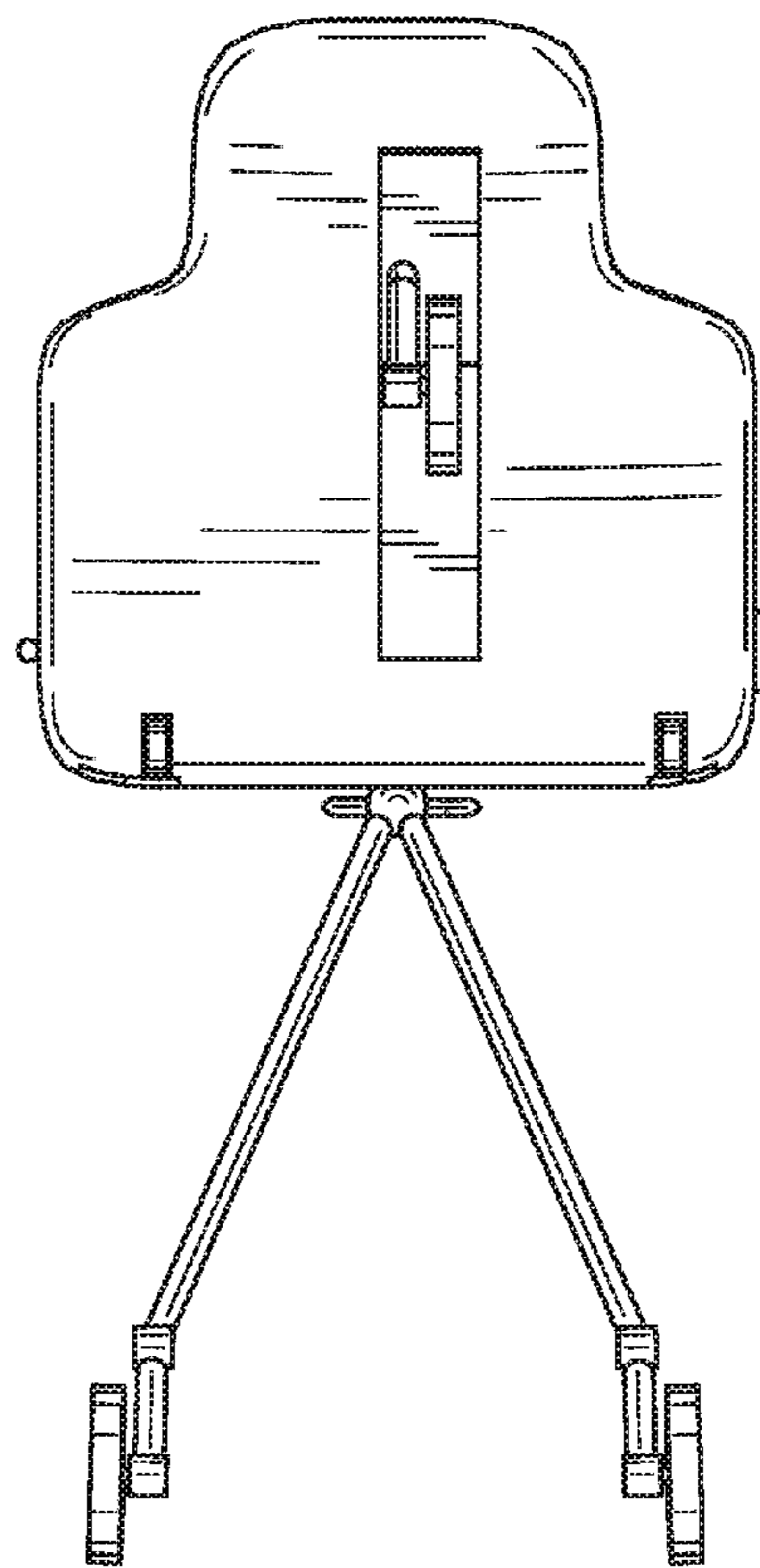


Fig. 8



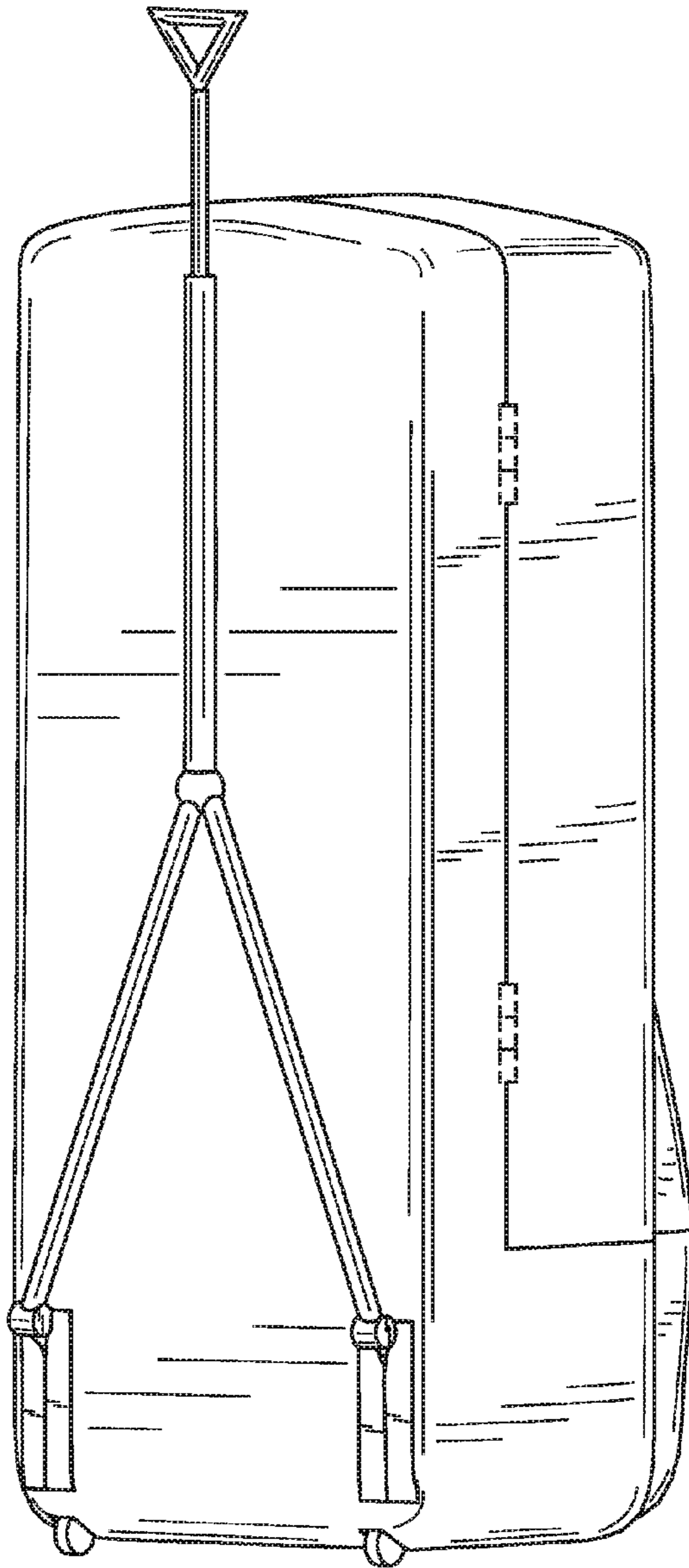


Fig. 9