



US00D753914S

(12) **United States Design Patent**
Van Migem et al.

(10) **Patent No.:** **US D753,914 S**
(45) **Date of Patent:** **** Apr. 19, 2016**

(54) **SHOPPING BAG WITH REFLECTIVE STRIPS**

(56) **References Cited**

(71) Applicant: **Jamamosva Gifts JLT**, Dubai (AE)

U.S. PATENT DOCUMENTS

(72) Inventors: **Olivier Van Migem**, Edegem (BE);
Frederic Collignon, Wilrijk (BE)

D147,487 S * 9/1947 Bienen 150/108
D659,388 S * 5/2012 Lucido D3/232
D659,996 S * 5/2012 Fang D3/232

(73) Assignee: **Jamamosva Gifts JLT**, Dubai (AE)

* cited by examiner

(**) Term: **14 Years**

Primary Examiner — Holly Baynham
(74) *Attorney, Agent, or Firm* — Kirschstein, Israel,
Schiffmiller & Pieroni, P.C.

(21) Appl. No.: **29/493,919**

(57) **CLAIM**
The ornamental design for a shopping bag with reflective strips, as shown and described.

(22) Filed: **Jun. 16, 2014**

DESCRIPTION

(30) **Foreign Application Priority Data**

Feb. 27, 2014 (EM) 001404321-0001

(51) **LOC (10) Cl.** **03-01**

(52) **U.S. Cl.**
USPC **D3/232**

(58) **Field of Classification Search**
USPC D3/232-233, 240-243, 245-246
CPC A45C 1/024; A45C 3/06
See application file for complete search history.

FIG. 1 is a perspective view of a shopping bag with reflective strips according to our new design.
FIG. 2 is a top plan view thereof.
FIG. 3 is a front elevational view thereof, the rear elevational view being a mirror image.
FIG. 4 is a right side elevational view thereof, the left side elevational view being a mirror image; and,
FIG. 5 is a bottom plan view thereof.
The thin, diagonal, shade lines on the views represent reflective surfaces.

1 Claim, 4 Drawing Sheets

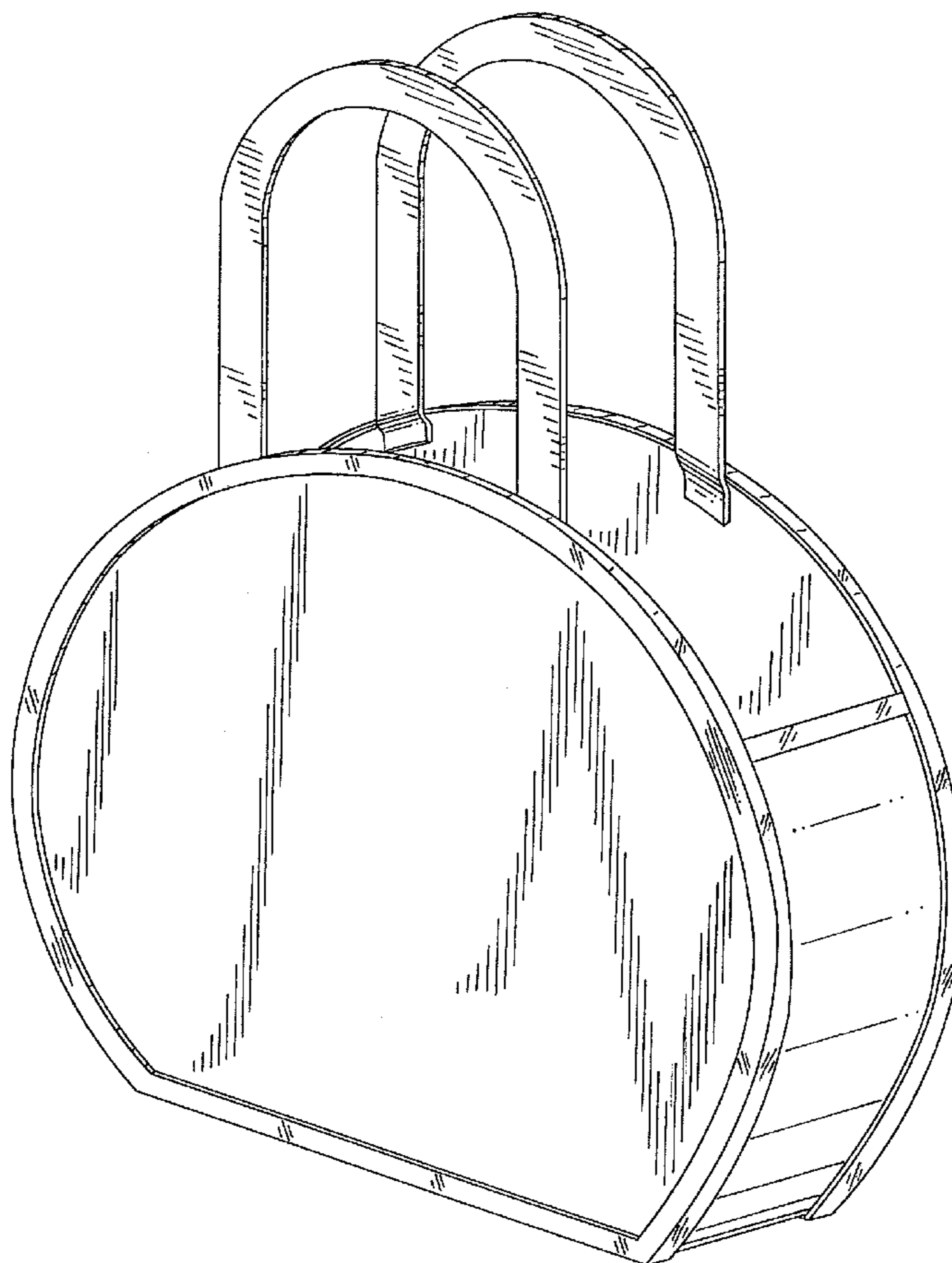


FIG. 1

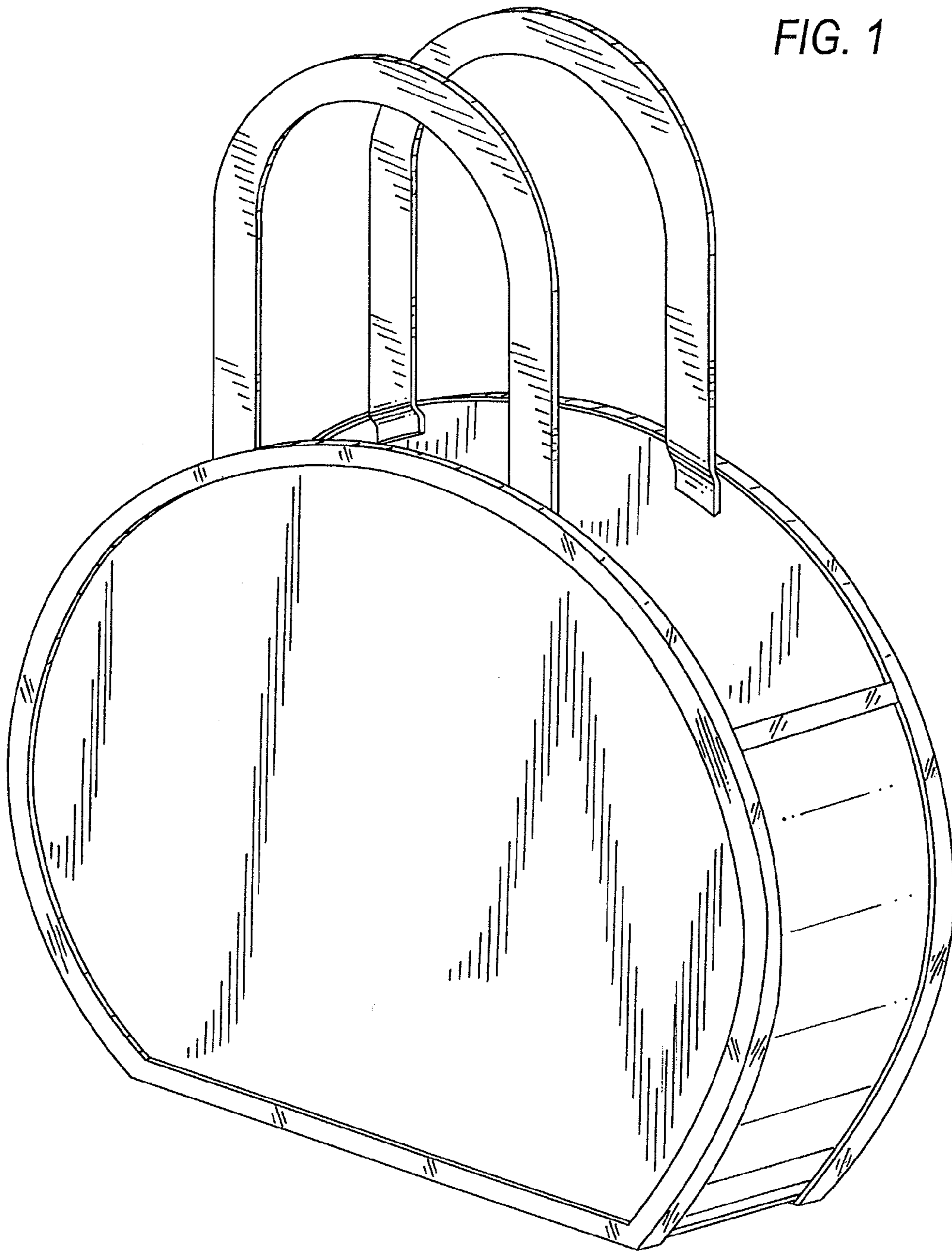


FIG. 2

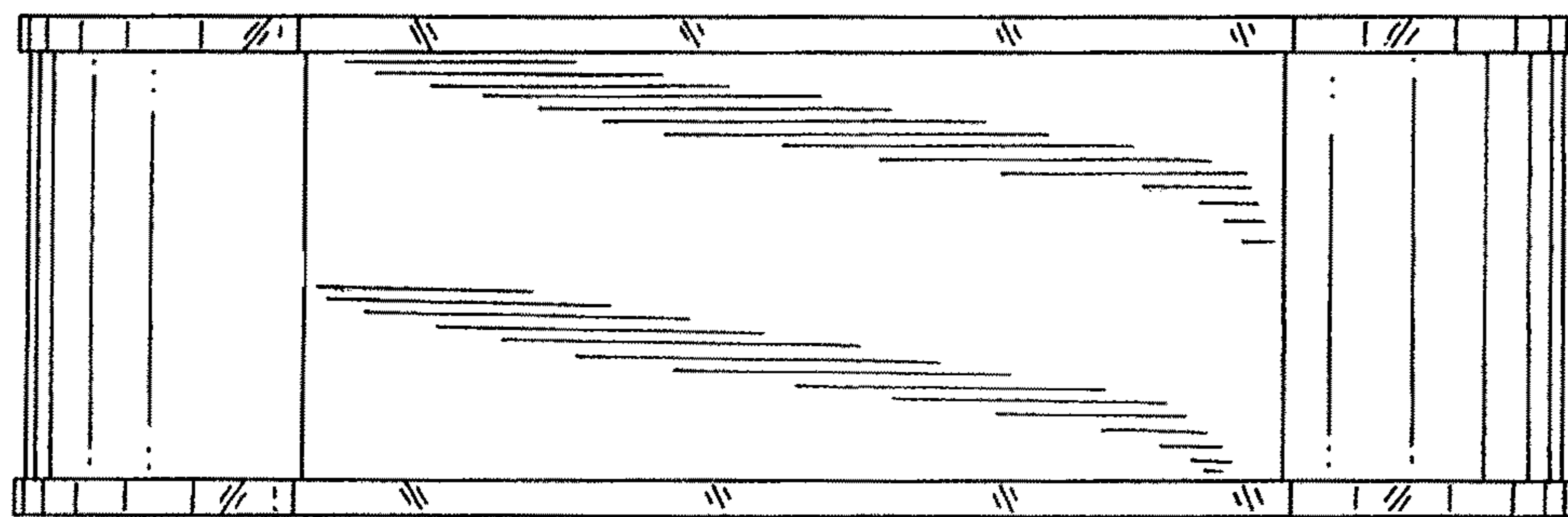
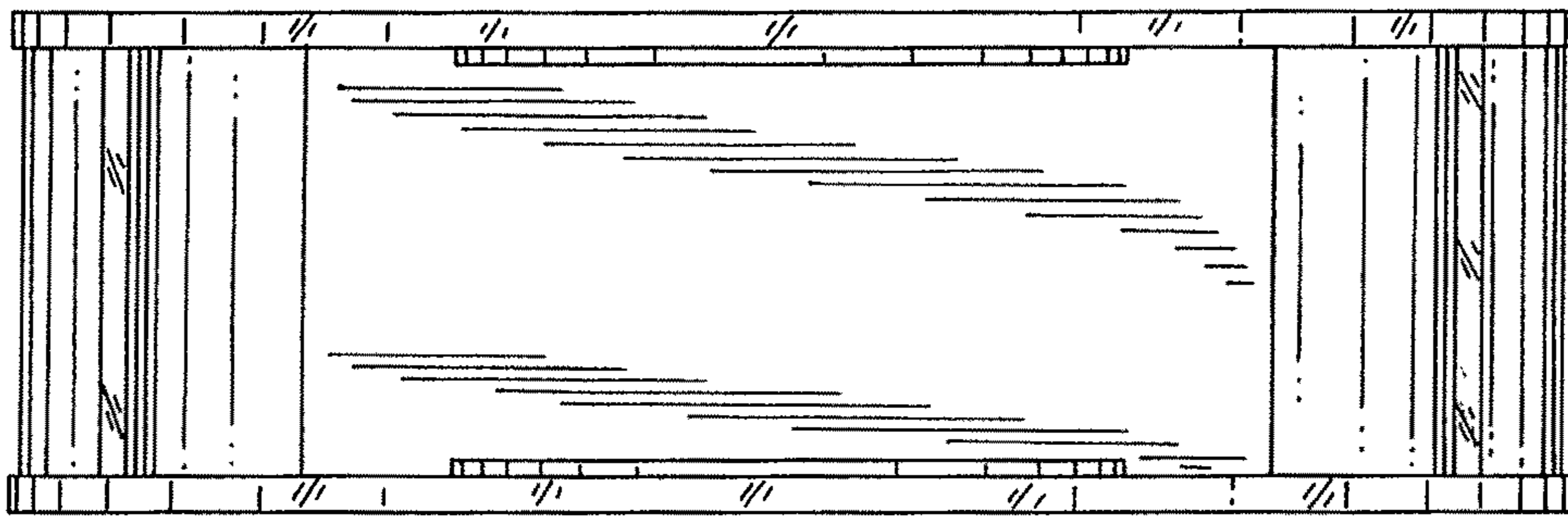
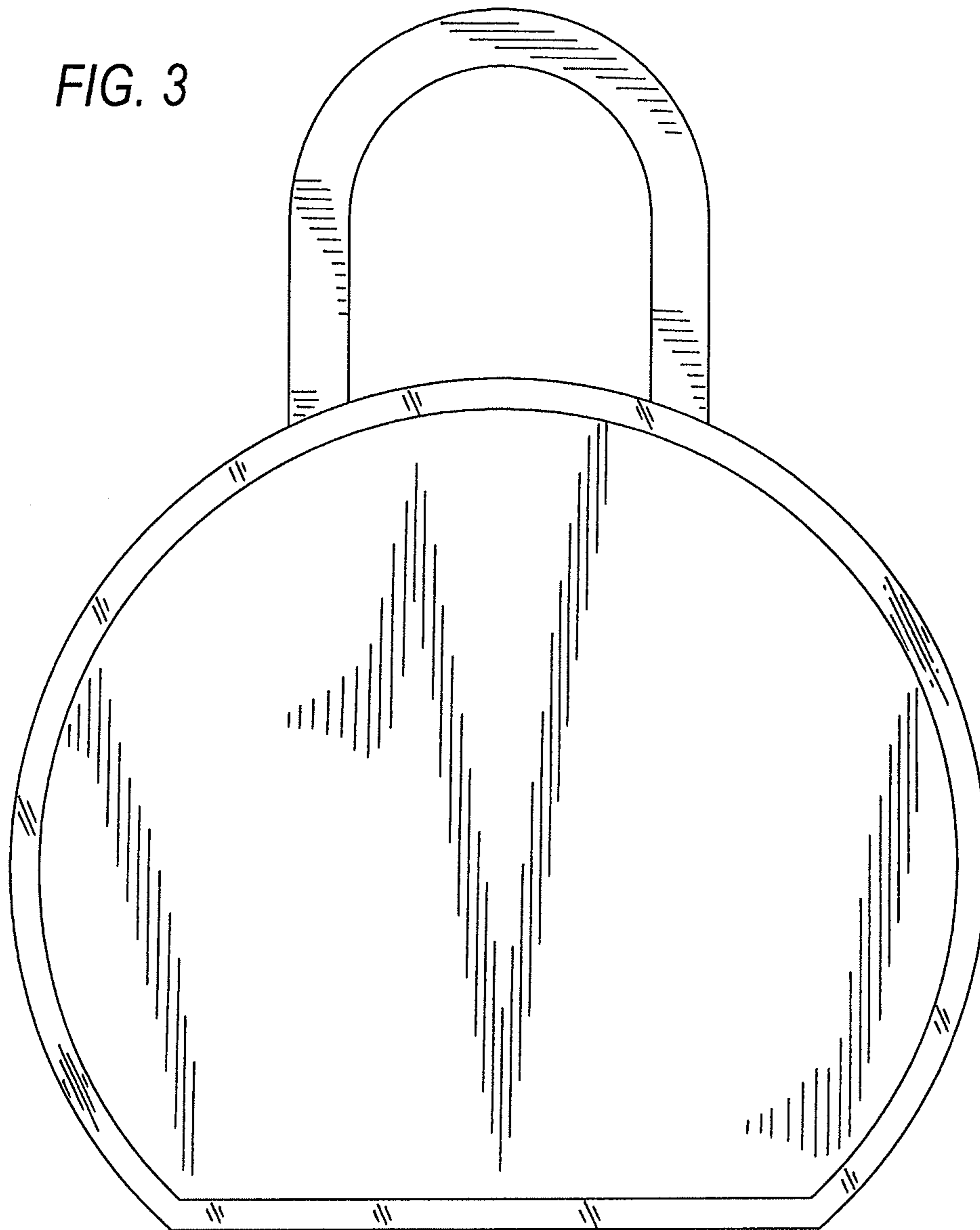


FIG. 5

FIG. 3



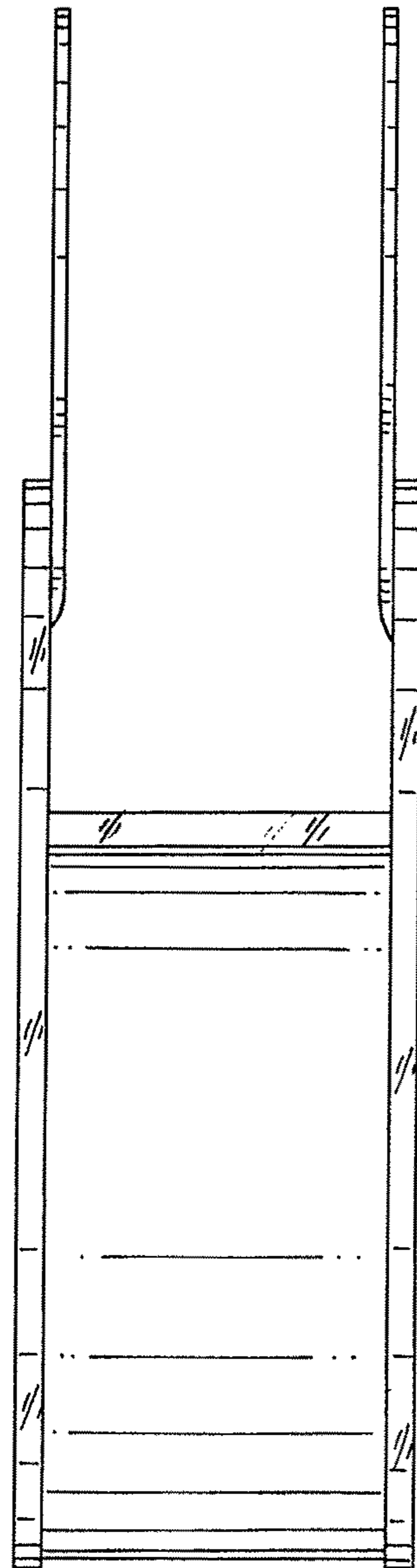


FIG. 4