



US00D753913S

(12) **United States Design Patent**  
**Galoob**

(10) **Patent No.:** **US D753,913 S**

(45) **Date of Patent:** **\*\* \*Apr. 19, 2016**

- (54) **HANDGUN CARRIER**
- (71) Applicant: **The Texas Girdle Concealed Carry System, Inc.**, Crowley, TX (US)
- (72) Inventor: **Mark Galoob**, Crowley, TX (US)
- (73) Assignee: **The Texas Girdle Concealed Carry System, Inc.**, Crowley, TX (US)
- (\*) Notice: This patent is subject to a terminal disclaimer.
- (\*\*) Term: **14 Years**
- (21) Appl. No.: **29/500,219**
- (22) Filed: **Aug. 22, 2014**
- (51) **LOC (10) Cl.** ..... **03-01**
- (52) **U.S. Cl.**  
USPC ..... **D3/222**
- (58) **Field of Classification Search**  
USPC ..... D3/222–223, 215, 218, 224, 226;  
224/192–193, 219, 222, 267, 269, 666,  
224/676–677, 668, 662, 238, 243, 680, 587,  
224/911–912  
See application file for complete search history.

- 6,695,186 B2 2/2004 Madarang
- 6,814,270 B2 11/2004 Mason
- D515,312 S \* 2/2006 Clark ..... D3/222
- 7,258,259 B1 8/2007 Owens
- 7,631,368 B1 12/2009 Samson
- 7,950,554 B2 \* 5/2011 Hoffner ..... A45F 5/02  
224/222
- D675,818 S \* 2/2013 Jenkins ..... D3/223
- 8,622,269 B2 1/2014 Hogue
- D710,089 S \* 8/2014 Lively ..... D3/222
- D725,383 S \* 3/2015 Gazso ..... D3/222
- 2012/0085802 A1 4/2012 Ferrante
- 2013/0015225 A1 1/2013 Hogue
- 2013/0180144 A1 7/2013 Kresser et al.

\* cited by examiner

*Primary Examiner* — Catheri Oliver-Garcia

(74) *Attorney, Agent, or Firm* — Scott T. Griggs; Griggs Bergen LLP

(57) **CLAIM**

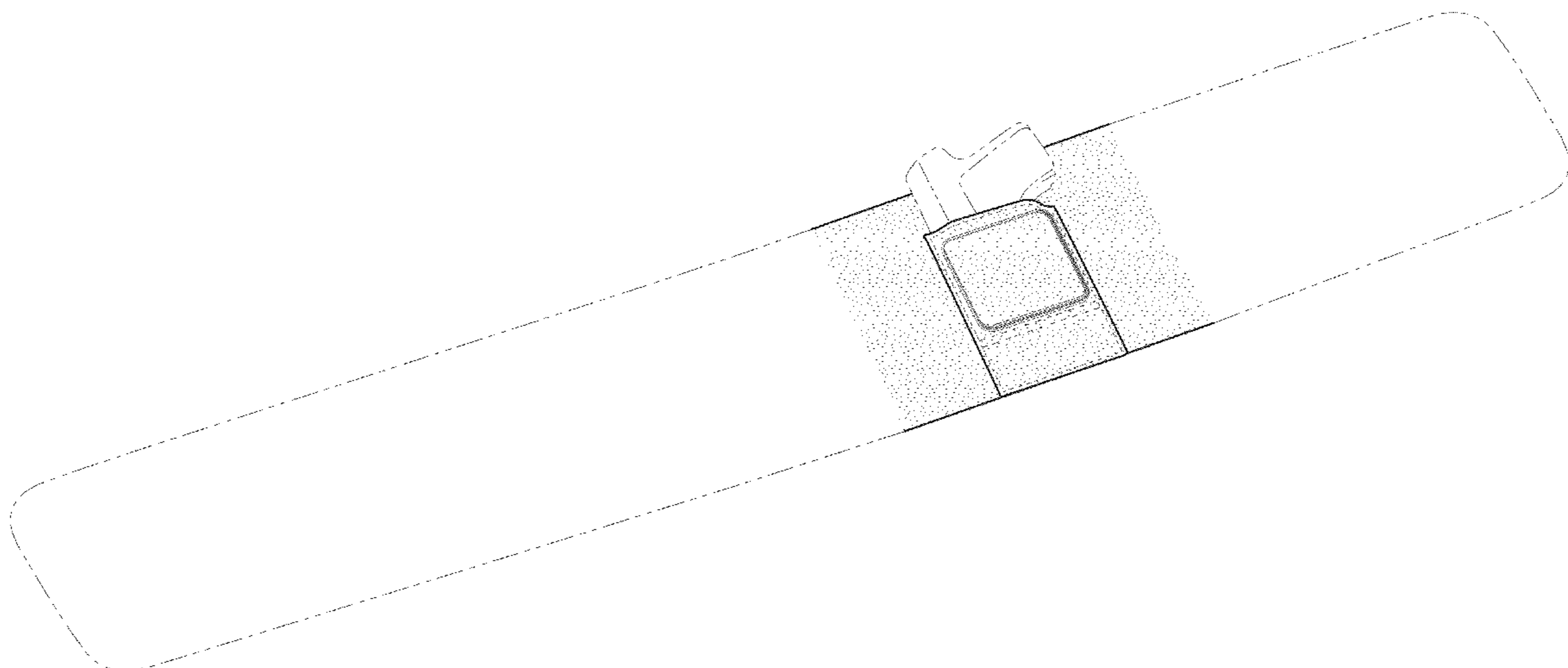
The ornamental design for a handgun carrier, as shown and described.

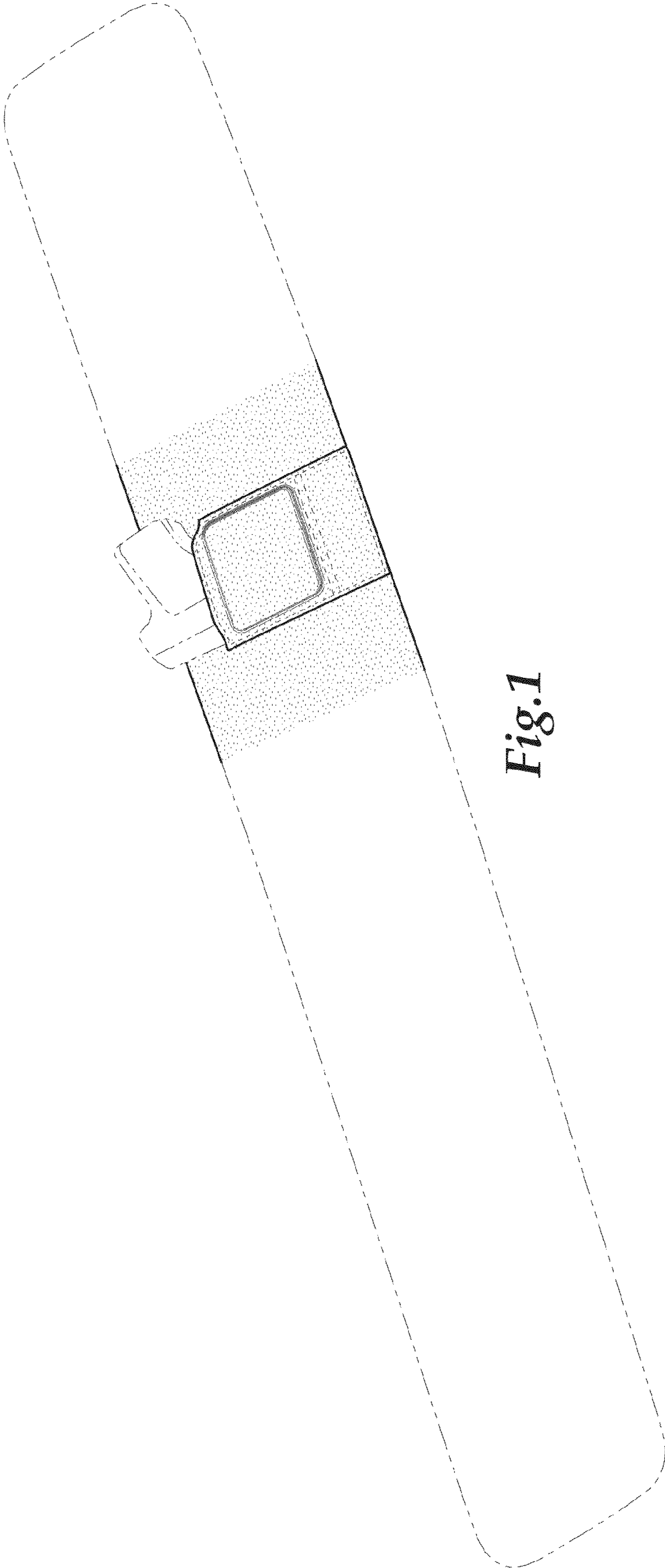
**DESCRIPTION**

FIG. 1 is a front perspective view of a handgun carrier showing my new design;  
 FIG. 2 is a top plan view of the handgun carrier;  
 FIG. 3 is a bottom plan view of the handgun carrier;  
 FIG. 4 is front elevation view of the handgun carrier;  
 FIG. 5 is a rear elevation view of the handgun carrier;  
 FIG. 6 is a top plan view of the handgun carrier;  
 FIG. 7 is a bottom plan view of the handgun carrier;  
 FIG. 8 is front elevation view of the handgun carrier; and,  
 FIG. 9 is a rear elevation view of the handgun carrier.  
 The broken lines shown depict environmental subject matter and form no part of the claimed design. The broken lines disclosed on the pocket area represent top stitching.

**1 Claim, 3 Drawing Sheets**

- (56) **References Cited**  
U.S. PATENT DOCUMENTS
- 4,286,741 A 9/1981 Rogers
- 5,161,721 A 11/1992 Nichols
- D361,656 S \* 8/1995 Fogarty, Jr. .... D3/222
- 5,544,794 A 8/1996 Nichols
- 5,909,834 A 6/1999 Parrott, III
- 6,264,079 B1 \* 7/2001 Skaggs ..... F41C 33/0236  
224/193
- 6,402,001 B1 6/2002 Madarang





*Fig.1*

