



US00D753912S

(12) **United States Design Patent**
Spero

(10) **Patent No.:** **US D753,912 S**
(45) **Date of Patent:** **** Apr. 19, 2016**

(54) **APPARATUS FOR REDUCING THEFT AND LOSS OF SMALL ELECTRONIC DEVICES**

8,931,745 B2 * 1/2015 Ng 248/206.5
8,950,638 B2 * 2/2015 Wangercyn et al. 224/217
2011/0084081 A1 * 4/2011 Chung et al. 220/628

(71) Applicant: **Rhonda B. Spero**, Miami, FL (US)

* cited by examiner

(72) Inventor: **Rhonda B. Spero**, Miami, FL (US)

Primary Examiner — Catheri Oliver-Garcia

(**) Term: **14 Years**

(74) *Attorney, Agent, or Firm* — Nancy J. Flint, Esq.; Nancy J. Flint, Attorney at Law, P.A.

(21) Appl. No.: **29/462,439**

(57) **CLAIM**

The ornamental design for an apparatus for reducing theft and loss of small electronic devices, as shown and described.

(22) Filed: **Aug. 4, 2013**

DESCRIPTION

Related U.S. Application Data

(63) Continuation of application No. 12/914,443, filed on Oct. 28, 2010, now abandoned.

(51) **LOC (10) Cl.** **03-01**

(52) **U.S. Cl.**
USPC **D3/218**

(58) **Field of Classification Search**
USPC D3/218, 215, 207–211, 219, 228;
224/197, 217–218, 255, 578;
455/575.1–575.8; 379/449;
361/679.59; 206/45.2, 45.24, 320;
248/206.5, 309.4, 683; 220/628

See application file for complete search history.

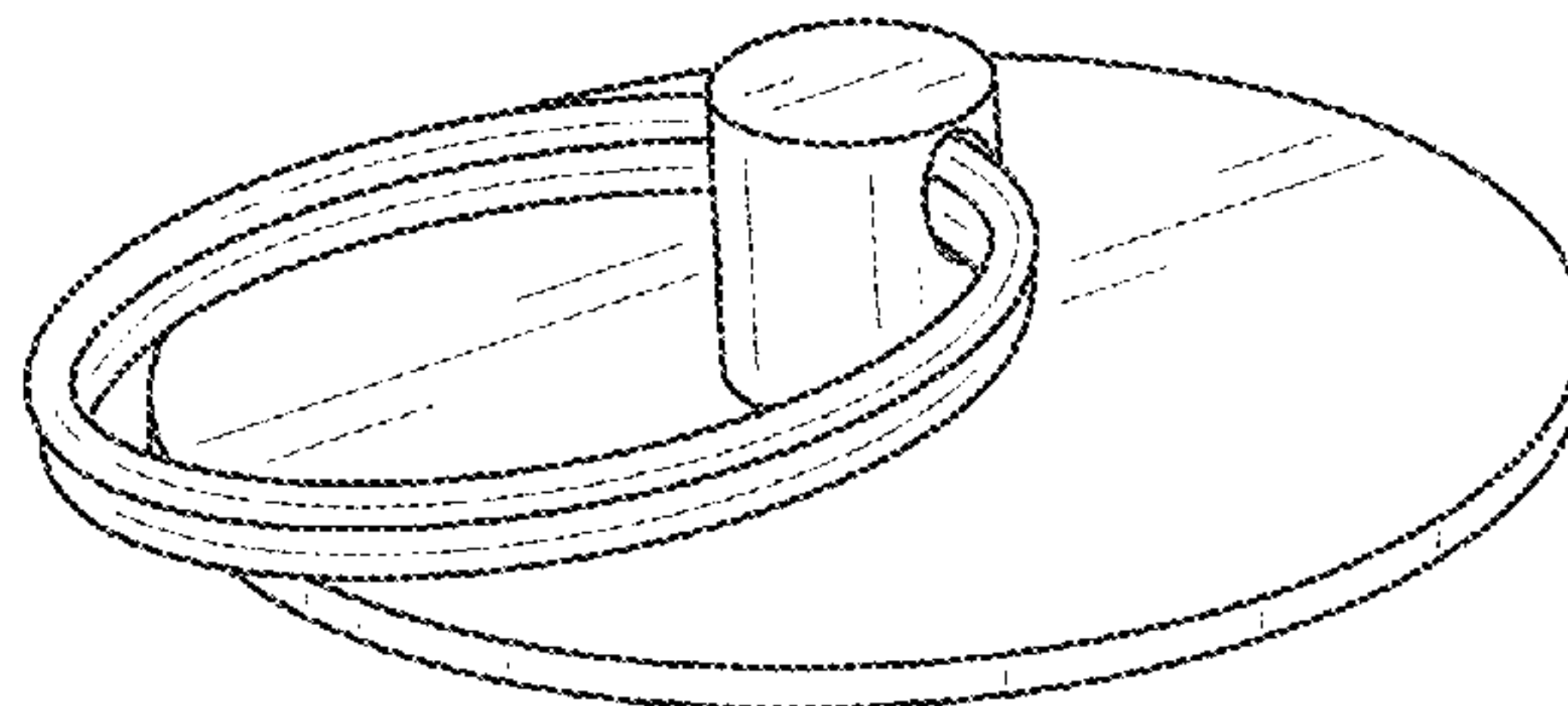
(56) **References Cited**

U.S. PATENT DOCUMENTS

D435,721 S * 1/2001 Lukach D3/215
D477,709 S * 7/2003 Natividad D3/218
D499,545 S * 12/2004 Condiff D3/218
D520,738 S * 5/2006 Tarantino D3/218
7,661,567 B2 * 2/2010 Myers 224/217
D641,154 S * 7/2011 Smith D3/218
8,550,317 B2 * 10/2013 Hyseni 224/197
8,783,450 B2 * 7/2014 Wang 206/45.2
8,833,620 B2 * 9/2014 Interdonato 224/217

FIG. 1 is a side perspective view of a first embodiment of an apparatus for reducing theft and loss of small electronic devices showing my new design;
FIG. 2 is a front elevation view thereof;
FIG. 3 is a rear elevation view thereof;
FIG. 4 is a left side elevation view thereof;
FIG. 5 is a right side elevation view thereof;
FIG. 6 is a top plan view thereof;
FIG. 7 is a bottom plan view thereof;
FIG. 8 is a side perspective view, shown attached to an electronic device;
FIG. 9 is a side perspective view, shown attached to an electronic device with an attached tether chain;
FIG. 10 is a side perspective view of a second embodiment of an apparatus for reducing theft and loss of small electronic devices;
FIG. 11 is a front elevation view thereof;
FIG. 12 is a rear elevation view thereof;
FIG. 13 is a left side elevation view thereof;
FIG. 14 is a right side elevation view thereof;
FIG. 15 is a top plan view thereof;
FIG. 16 is a bottom plan view thereof; and,
FIG. 17 is a side perspective view, shown attached to an electronic device.
The break shown in the chain portion of the design in FIGS. 10-17 indicate that no particular length is claimed.

1 Claim, 11 Drawing Sheets



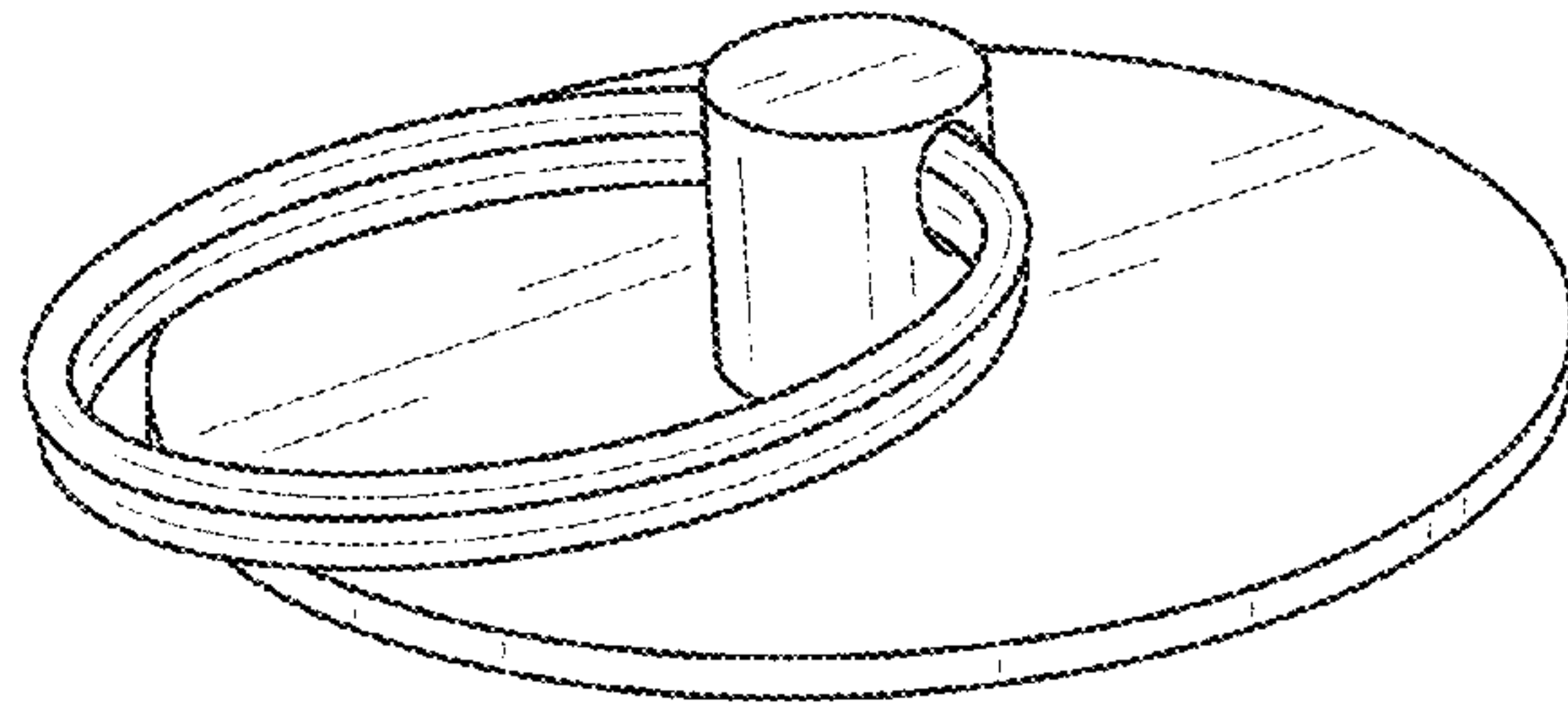


FIG. 1

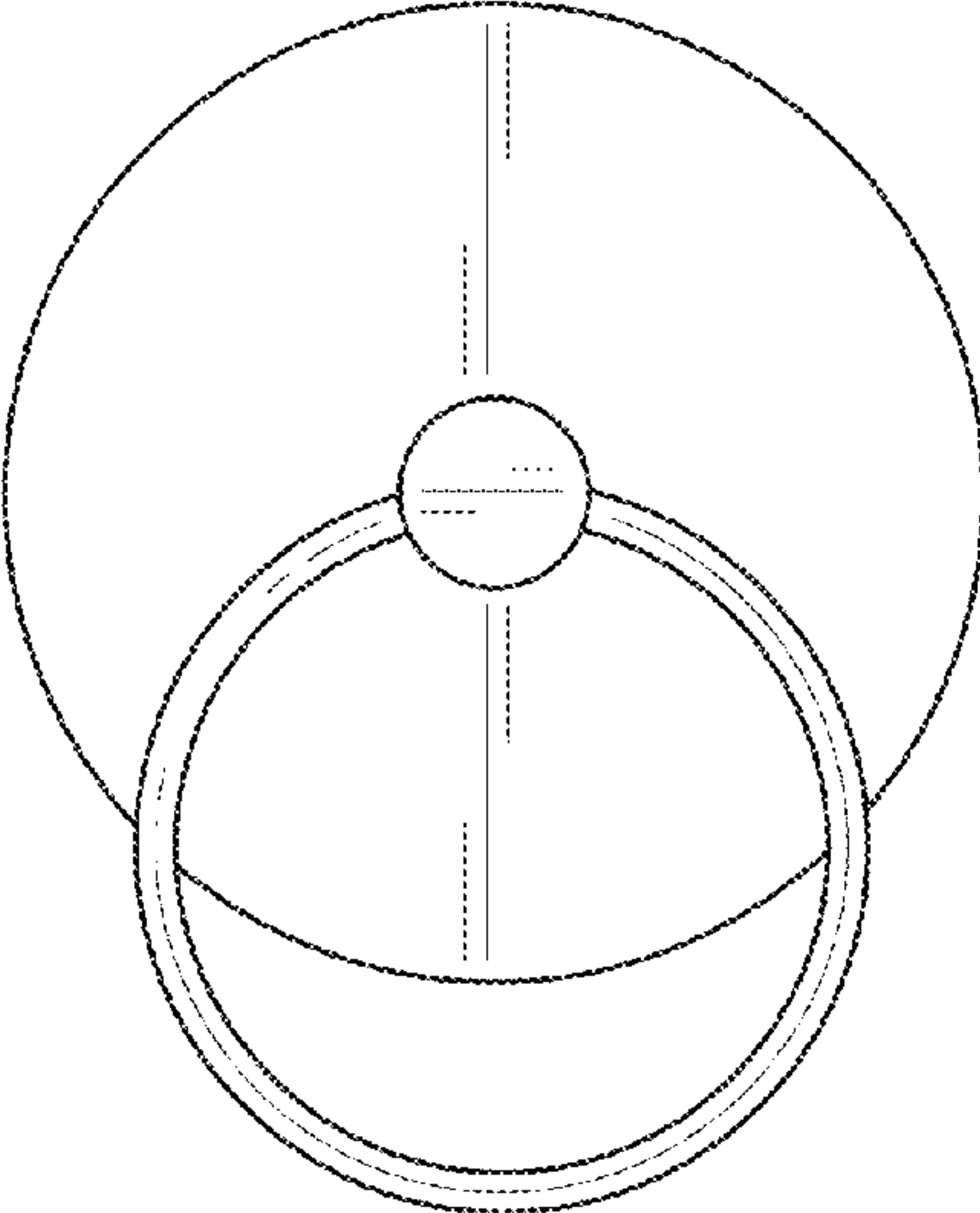


FIG. 2

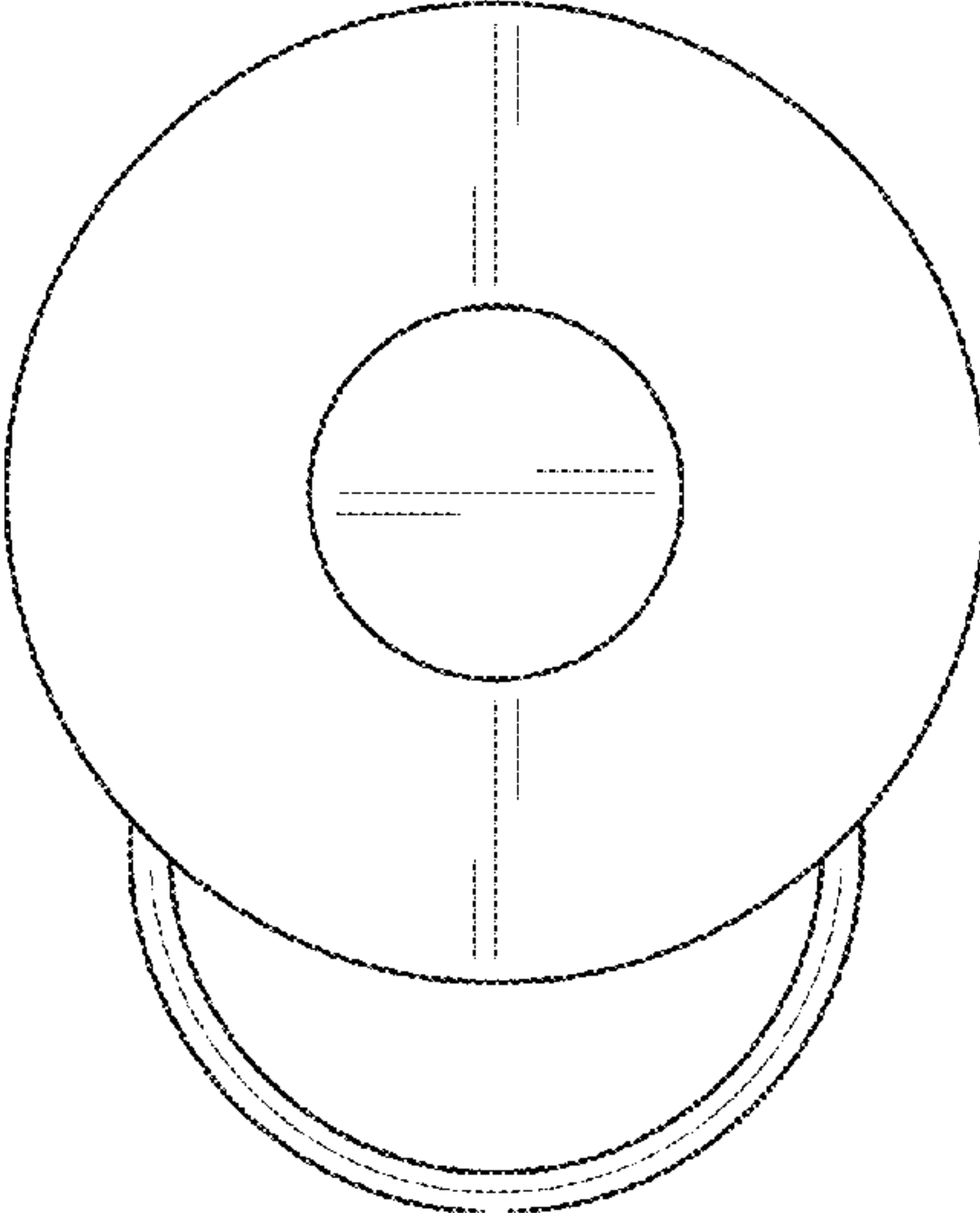


FIG. 3

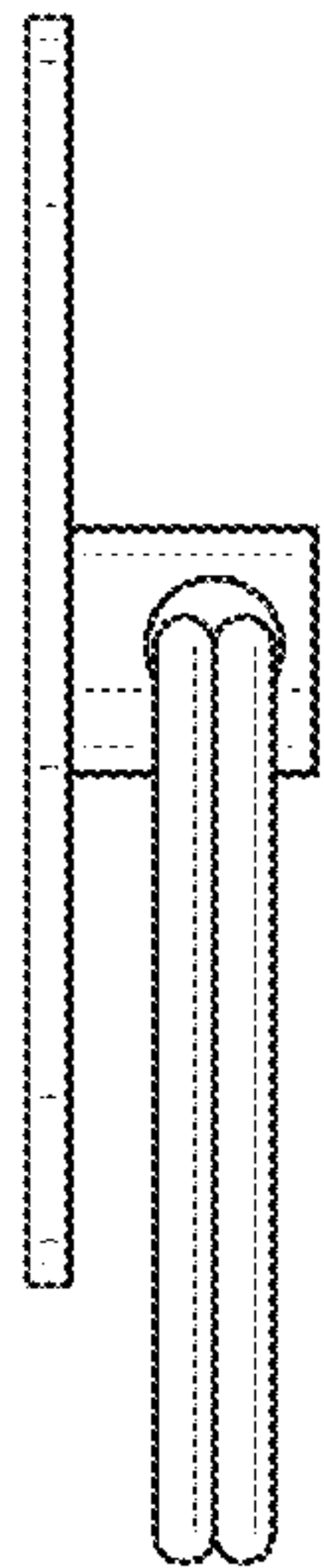


FIG. 4

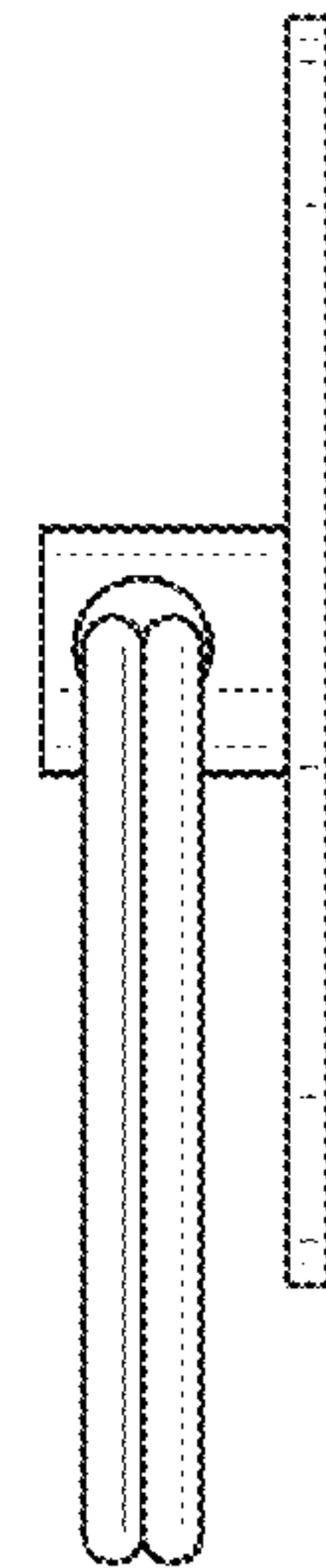


FIG. 5

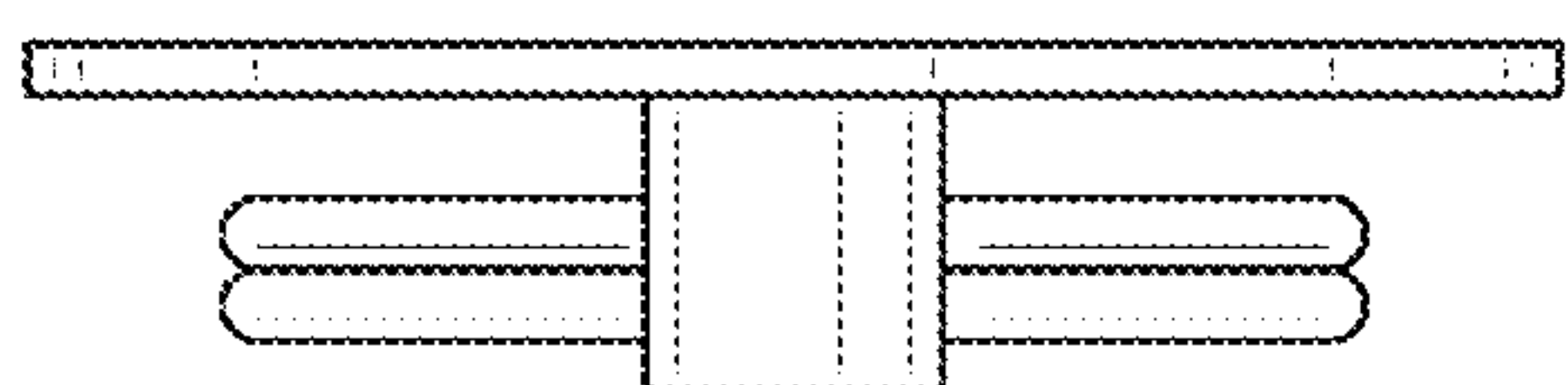


FIG. 6

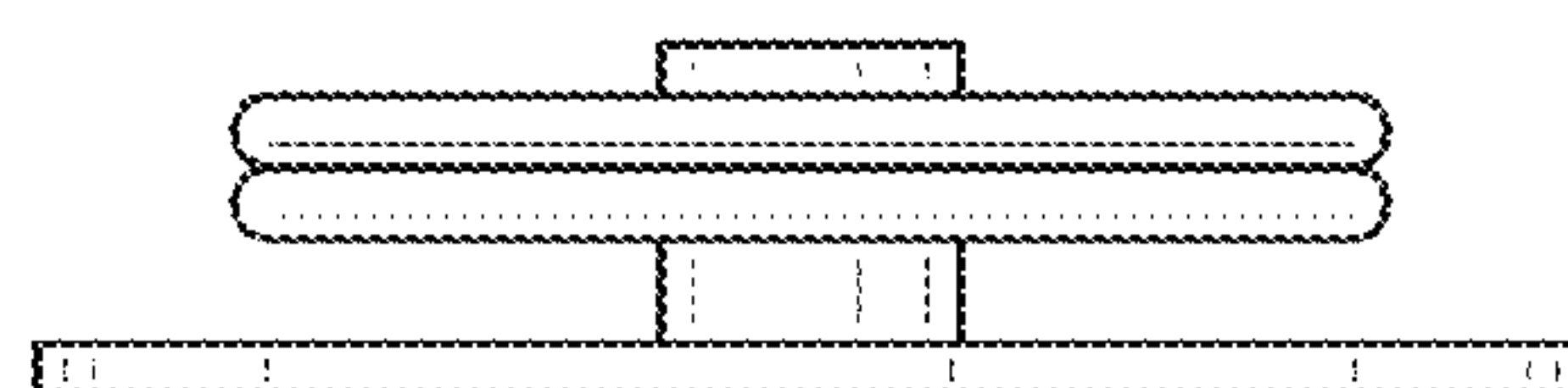


FIG. 7

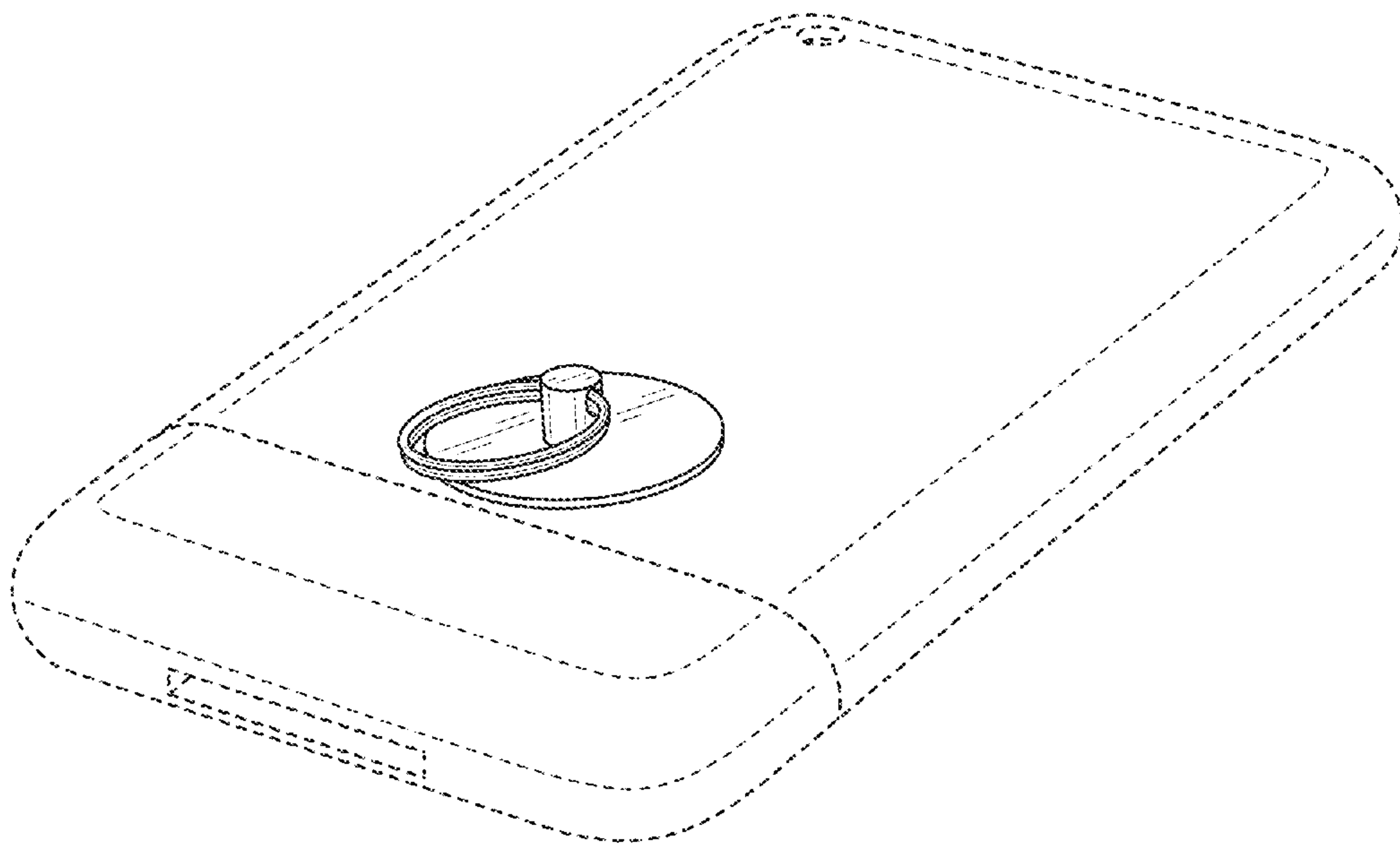


FIG. 8

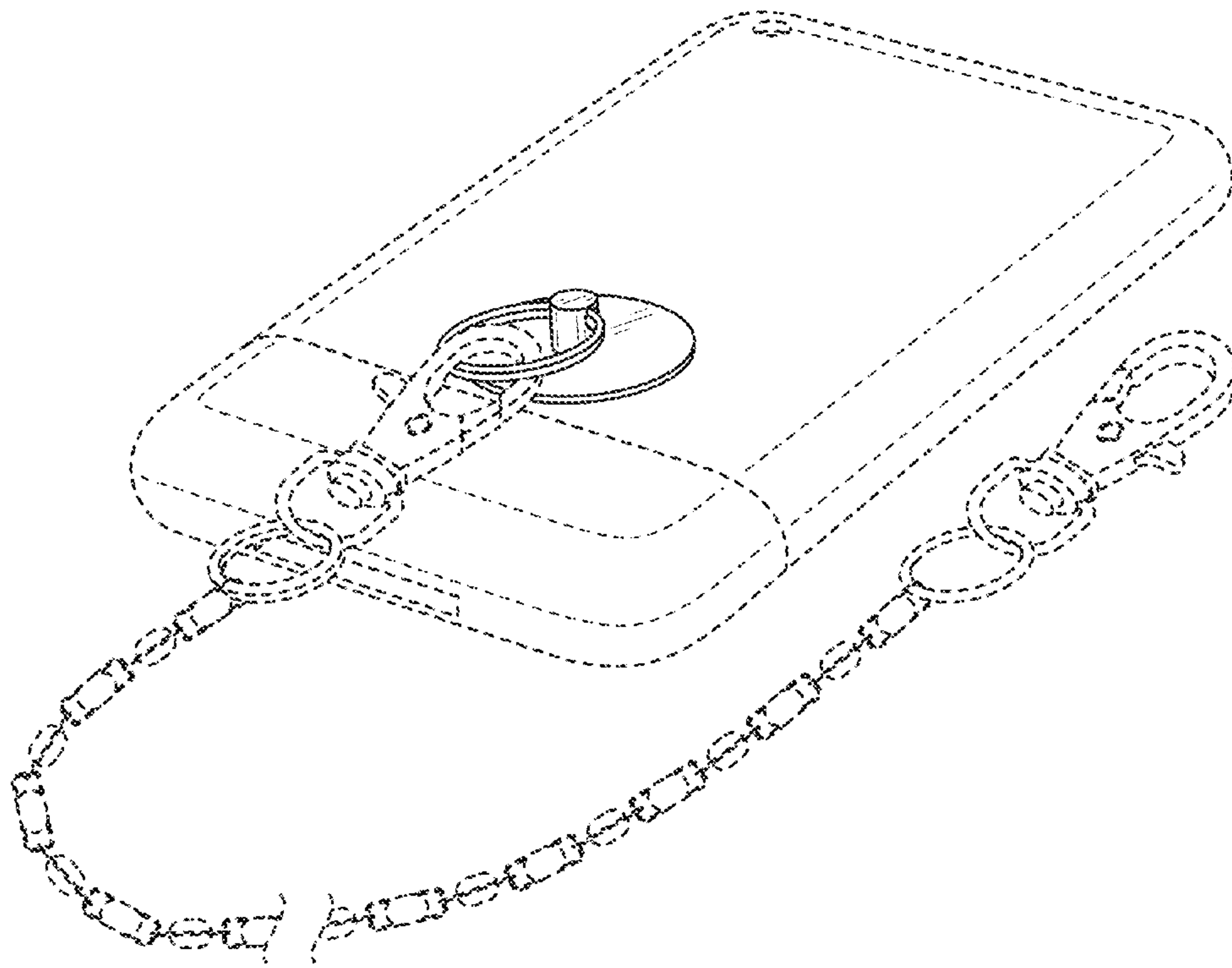


FIG. 9

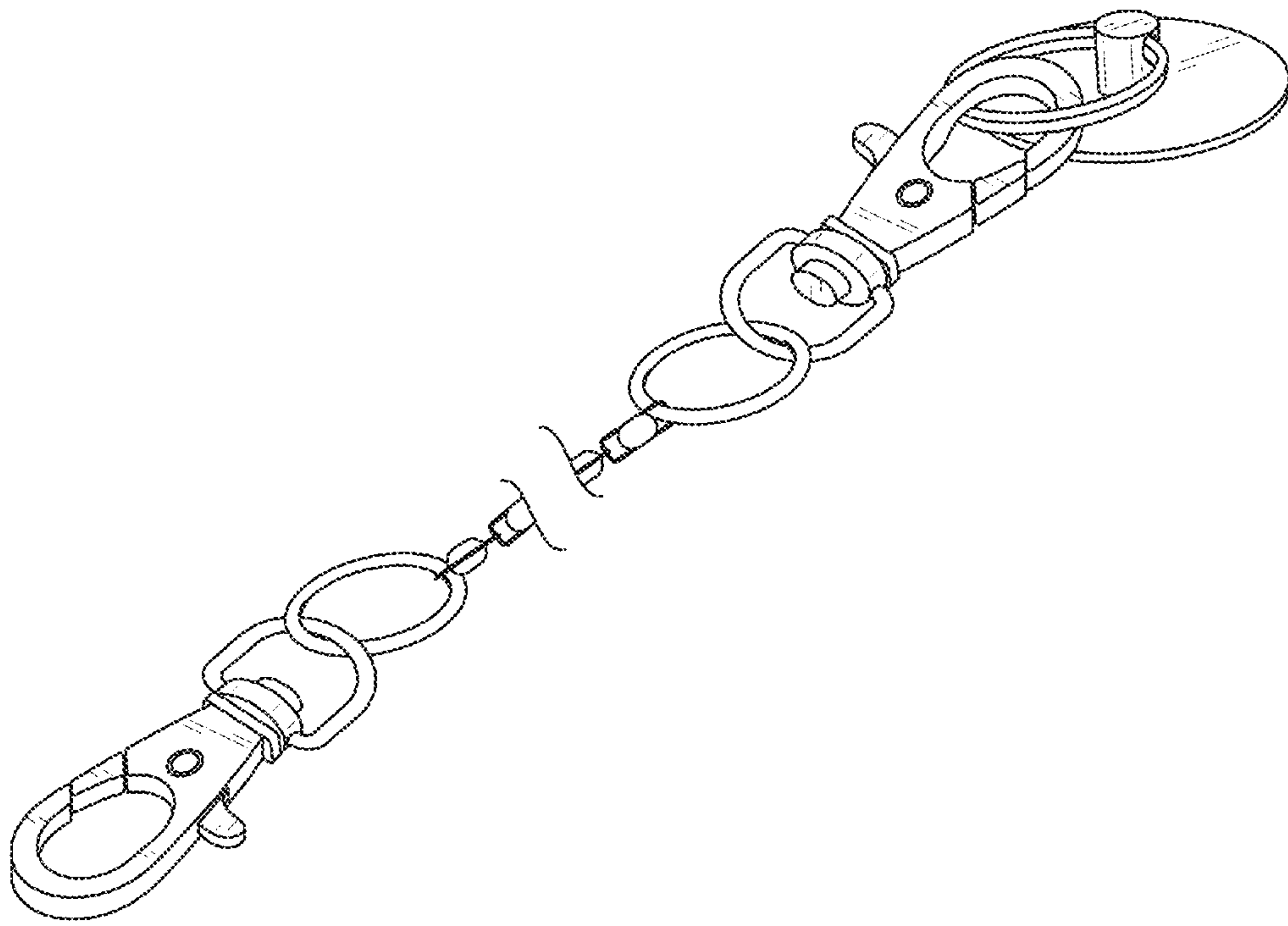


FIG. 10

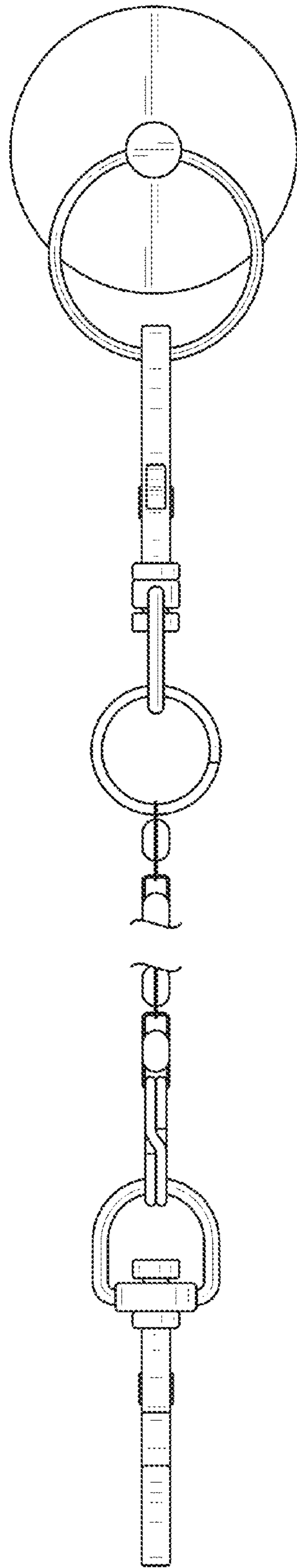


FIG. 11

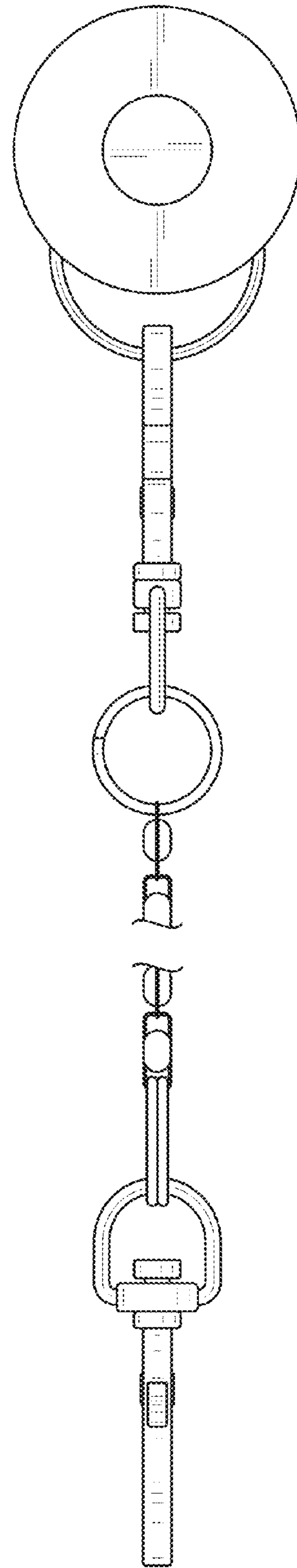


FIG. 12

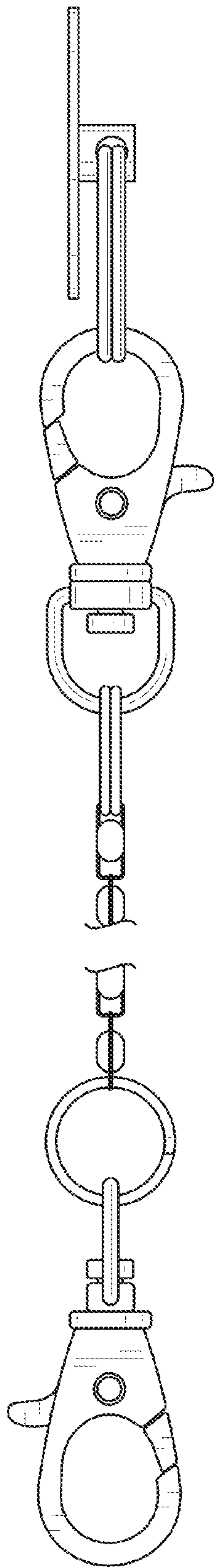


FIG. 13

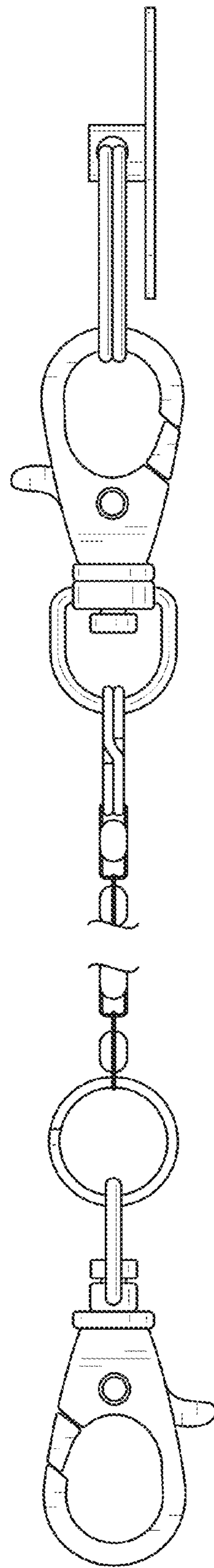


FIG. 14

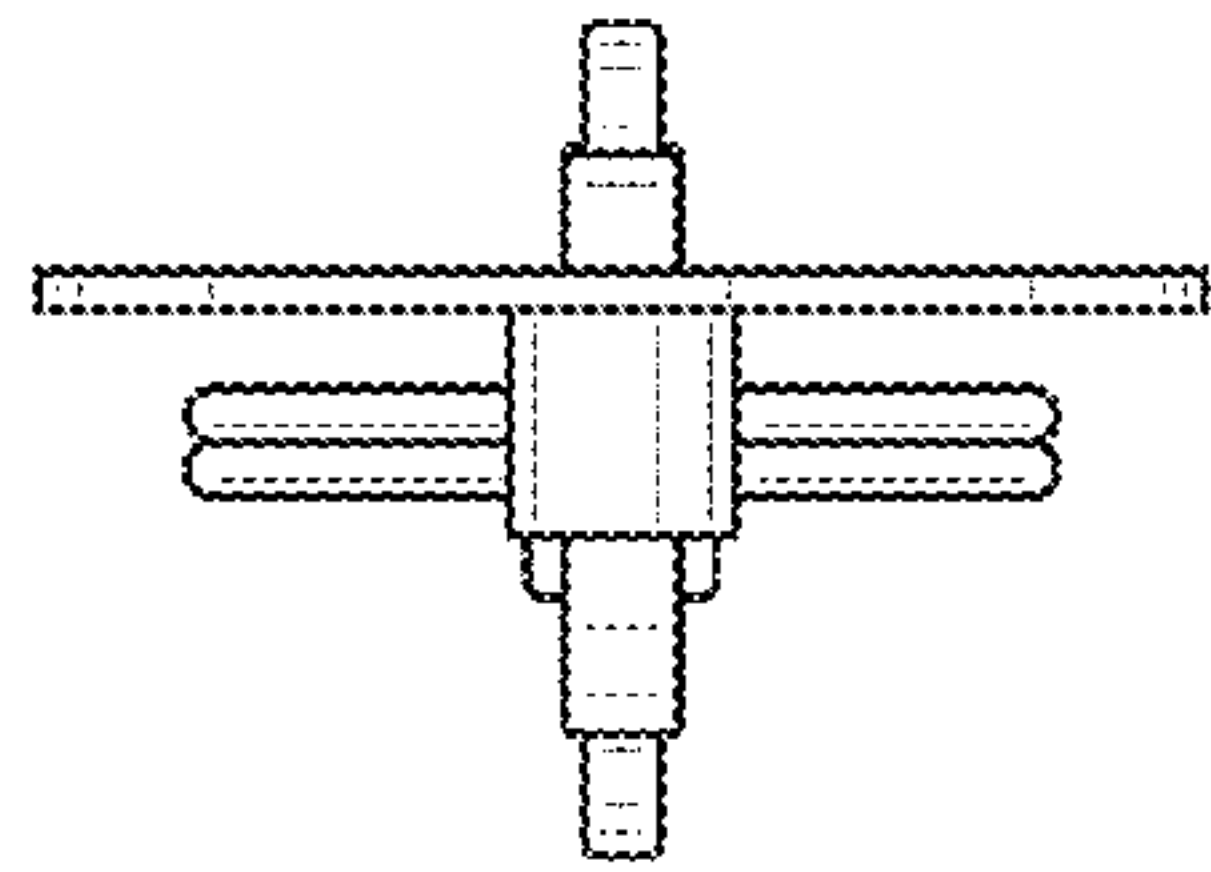


FIG. 15

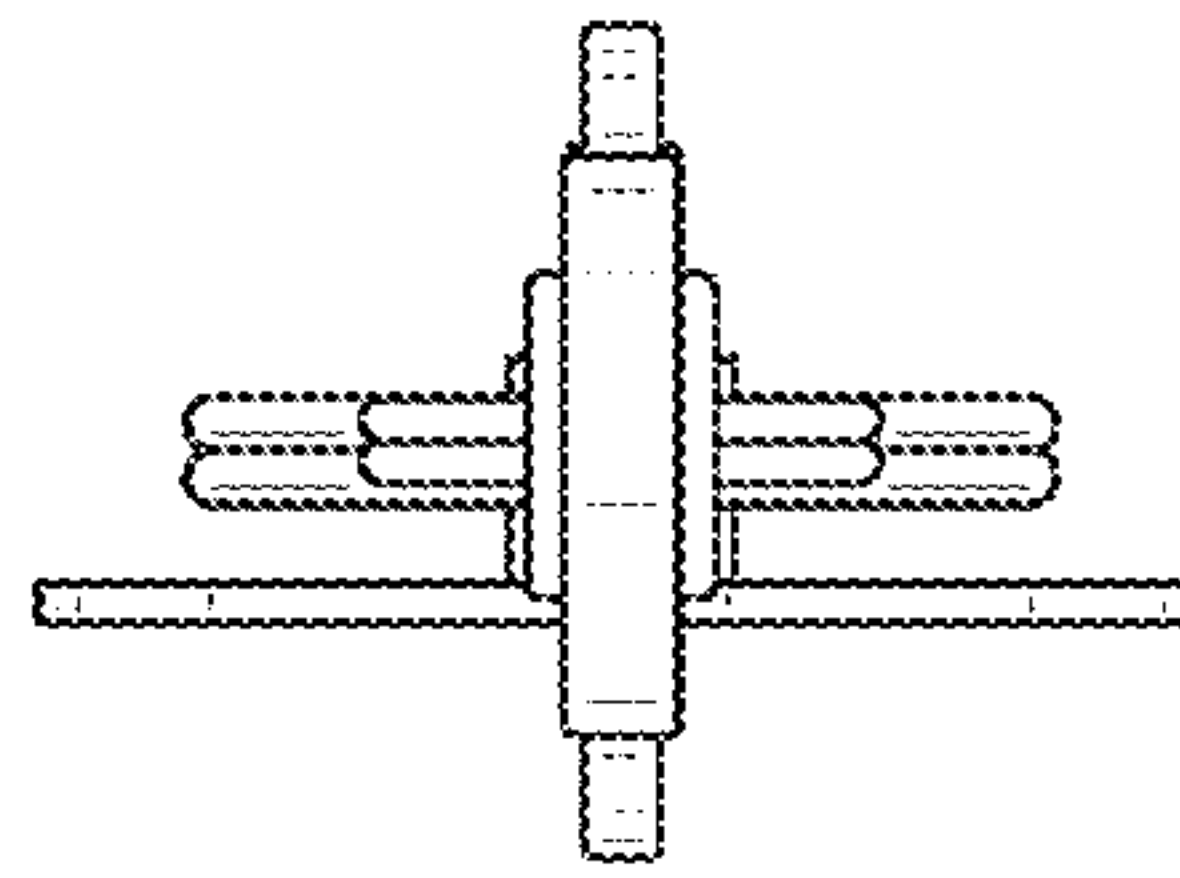


FIG. 16

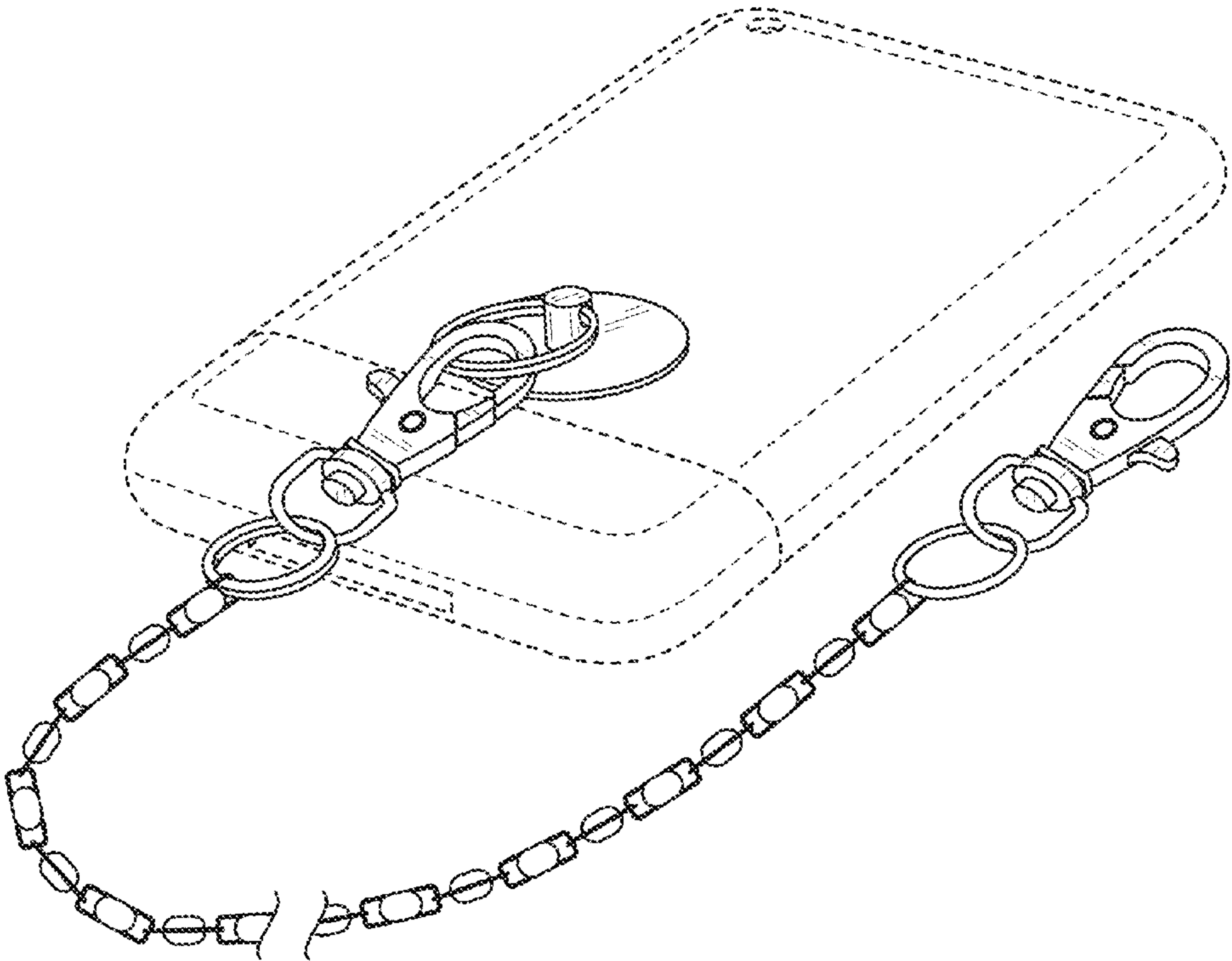


FIG. 17