



US00D753911S

(12) **United States Design Patent**
Ballesteros

(10) **Patent No.:** **US D753,911 S**
(45) **Date of Patent:** **** Apr. 19, 2016**

- (54) **MAGNETIC BAR ACCESSORY HOLDER**
- (71) Applicant: **Axel Ballesteros**, Oakland Park, FL (US)
- (72) Inventor: **Axel Ballesteros**, Oakland Park, FL (US)
- (**) Term: **15 Years**
- (21) Appl. No.: **29/545,507**
- (22) Filed: **Nov. 13, 2015**

Related U.S. Application Data

- (62) Division of application No. 29/482,421, filed on Feb. 18, 2014, now Pat. No. Des. 744,746.
- (51) **LOC (10) Cl.** **03-01**
- (52) **U.S. Cl.**
USPC **D3/215**
- (58) **Field of Classification Search**
USPC D3/215, 206, 226, 228; 224/183, 219,
224/222, 267, 269; 362/103
CPC . A45F 5/00; A45F 2005/008; A63B 57/0031;
A44C 5/0046
See application file for complete search history.

(56) **References Cited**

U.S. PATENT DOCUMENTS

- 1,482,647 A * 2/1924 Gise A45F 5/00
224/219
- 4,069,954 A * 1/1978 Rauch A45F 5/00
224/219
- D256,292 S * 8/1980 Cox 224/219
- D256,963 S * 9/1980 Harrington 224/269
- 4,830,246 A * 5/1989 Ryan A01L 11/00
224/219
- 5,154,506 A * 10/1992 Leard F21L 15/14
224/222
- 5,333,767 A * 8/1994 Anderson A45F 5/00
224/183
- 6,530,508 B1 * 3/2003 Devine A45F 5/00
224/183
- D487,844 S * 3/2004 Nichols D3/215
- D667,214 S * 9/2012 Manga D3/206

* cited by examiner

Primary Examiner — Catheri Oliver-Garcia

(74) *Attorney, Agent, or Firm* — Nancy J. Flint, Esq.; Nancy J. Flint, Attorney At Law, P.A.

(57) **CLAIM**
The ornamental design for a magnetic bar accessory holder, as shown and described.

DESCRIPTION

FIG. 1 is a front perspective view of a magnetic bar accessory holder in a closed position showing my new design;
 FIG. 2 is a front view of a magnetic bar accessory holder in a closed position;
 FIG. 3 is a right side view of a magnetic bar accessory holder in a closed position;
 FIG. 4 is a rear view of a magnetic bar accessory holder in a closed position;
 FIG. 5 is a left side view of a magnetic bar accessory holder in a closed position;
 FIG. 6 is a top view of a magnetic bar accessory holder in a closed position;
 FIG. 7 is a bottom view of a magnetic bar accessory holder in a closed position;
 FIG. 8 is a perspective view of a magnetic bar accessory holder in a closed position as attached to the belt of a user and holding a bottle opener and a pen;
 FIG. 9 is a front perspective view of a magnetic bar accessory holder in an open position showing my new design;
 FIG. 10 is a front view of a magnetic bar accessory holder in an open position;
 FIG. 11 is a right side view of a magnetic bar accessory holder in an open position;
 FIG. 12 is a left side view of a magnetic bar accessory holder in an open position;
 FIG. 13 is a rear view of a magnetic bar accessory holder in an open position;
 FIG. 14 is a top view of a magnetic bar accessory holder in an open position; and,
 FIG. 15 is a bottom view of magnetic bar accessory holder in an open position.
 Any broken lines illustrative of environmental structure in the drawings are not part of the design sought to be patented.

1 Claim, 6 Drawing Sheets

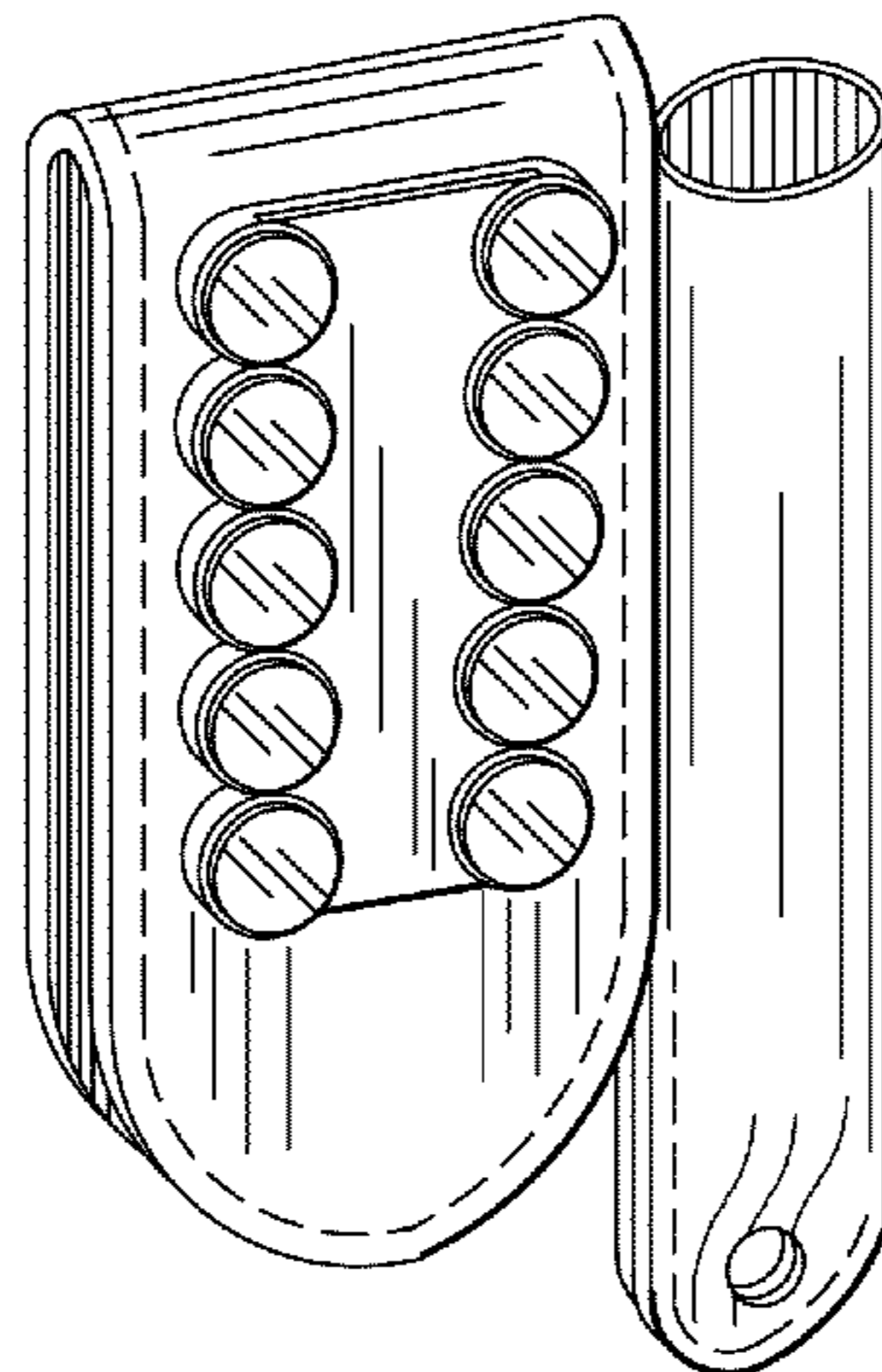


FIG. 1

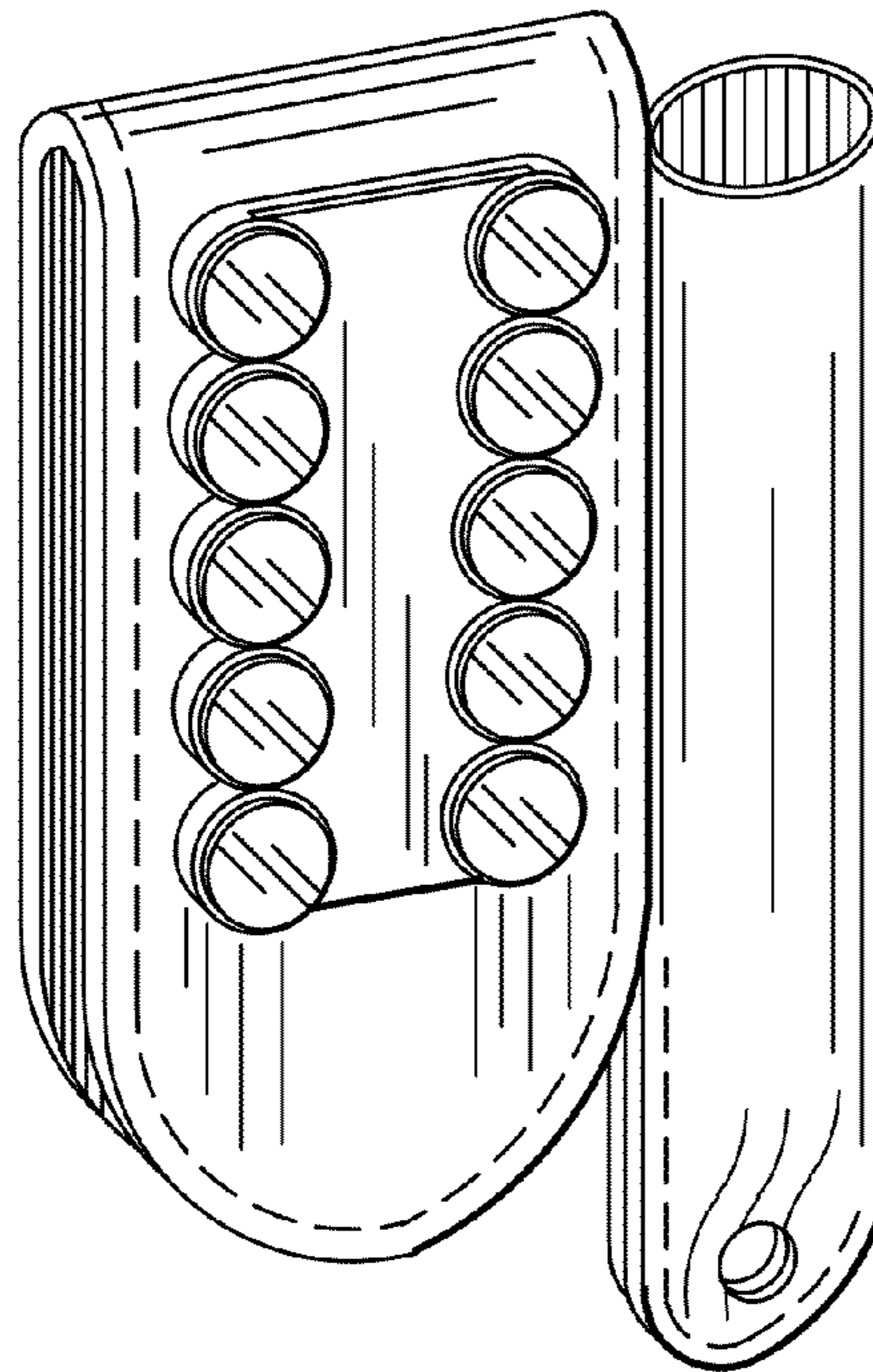


FIG. 2

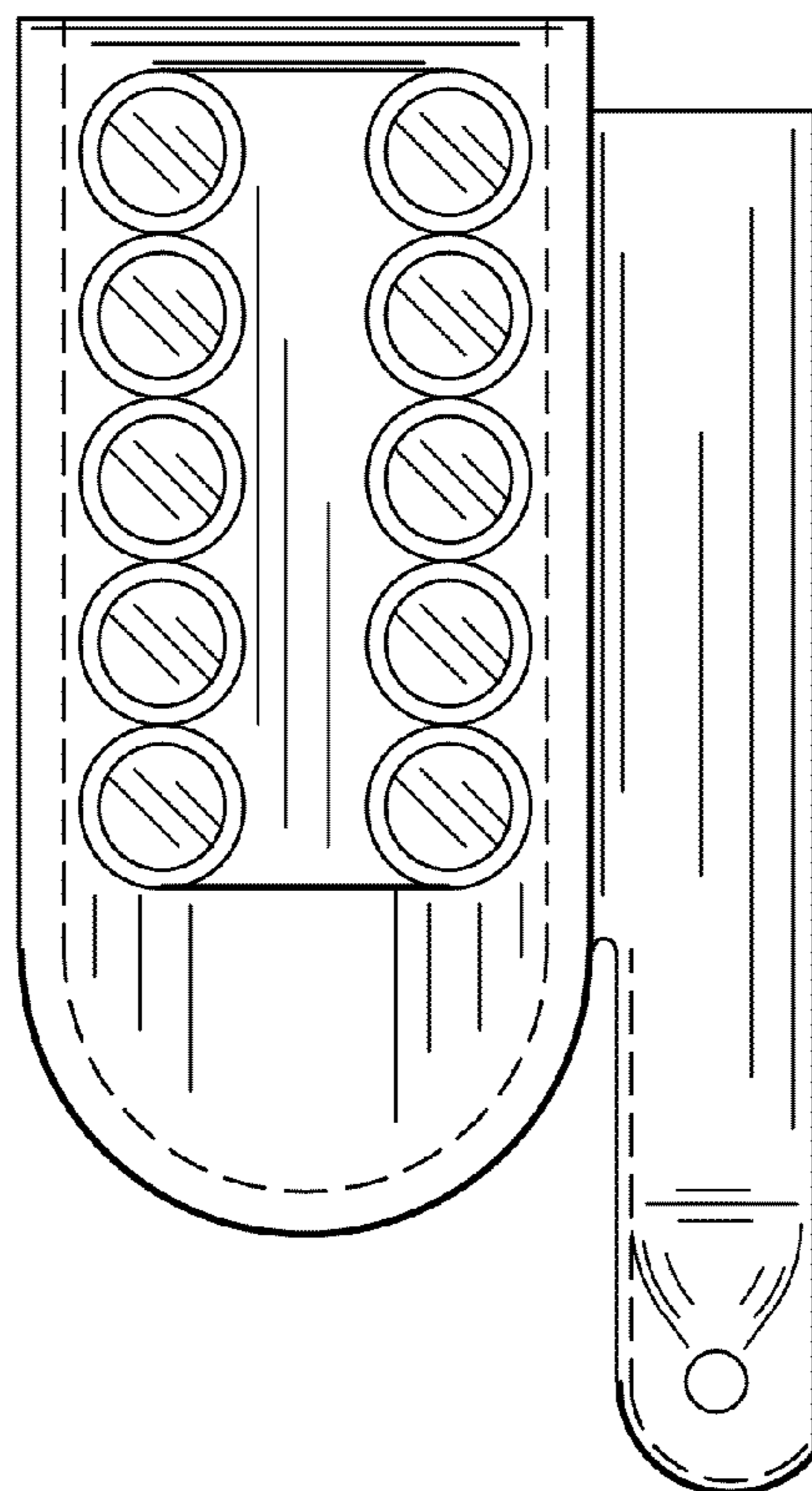


FIG. 3

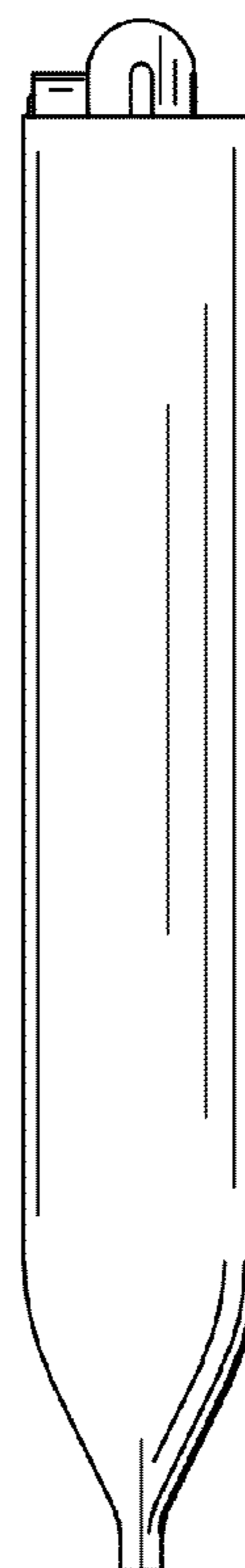


FIG. 4

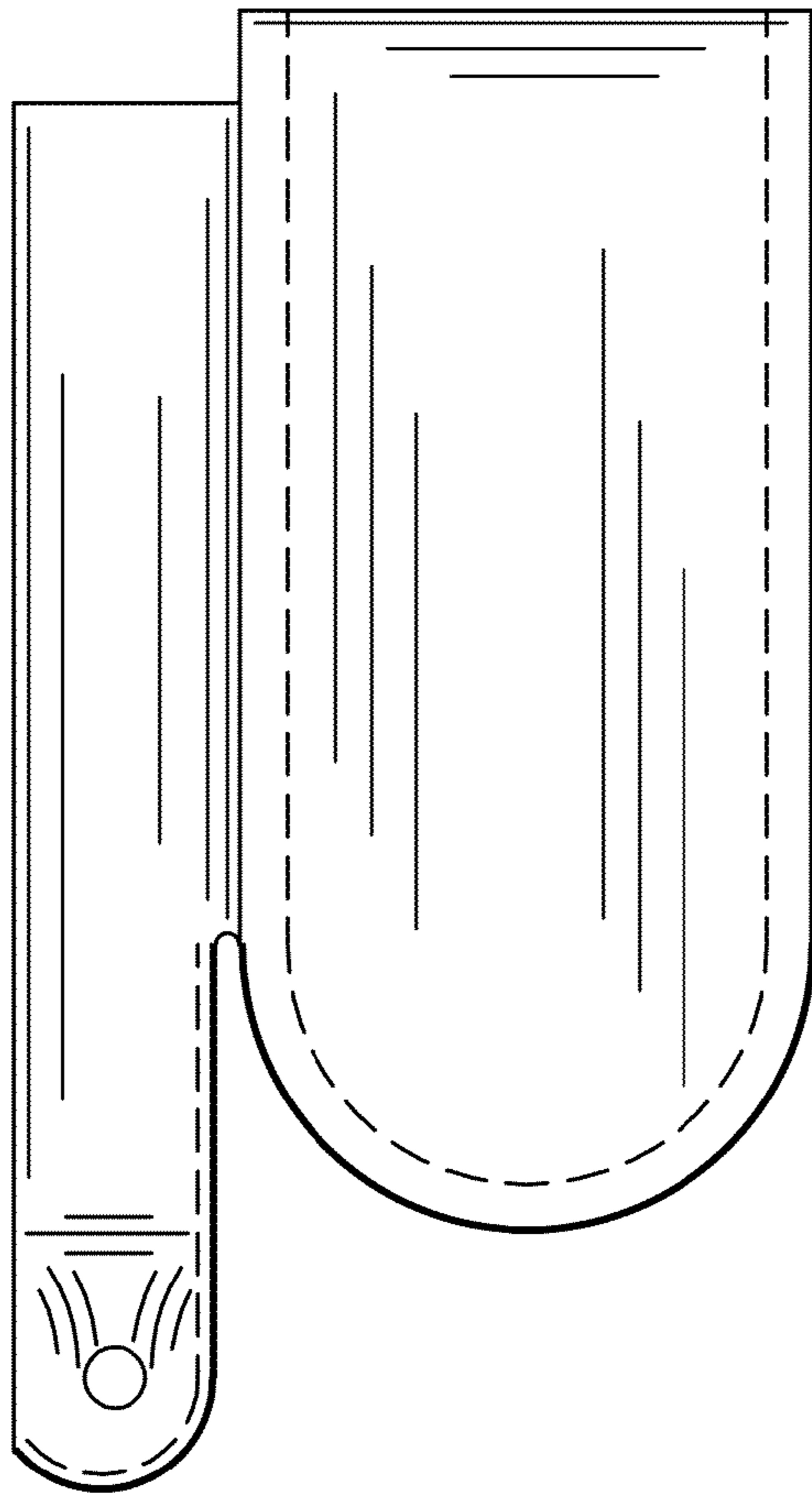


FIG. 5

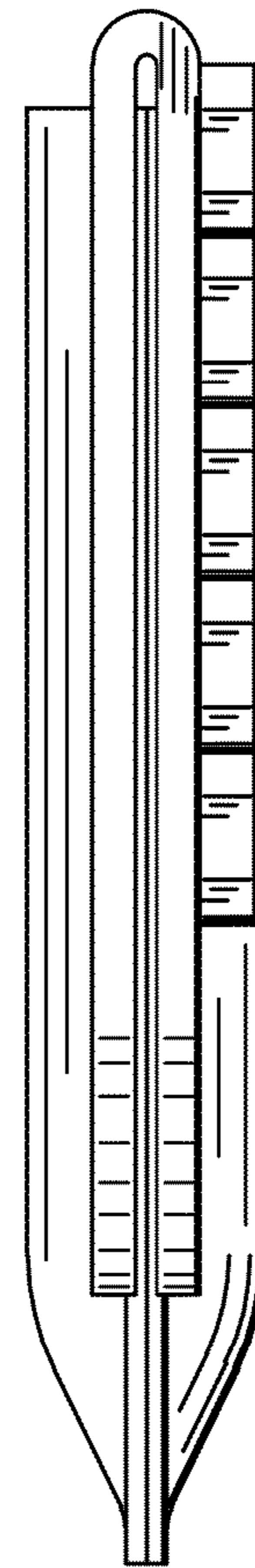


FIG. 6

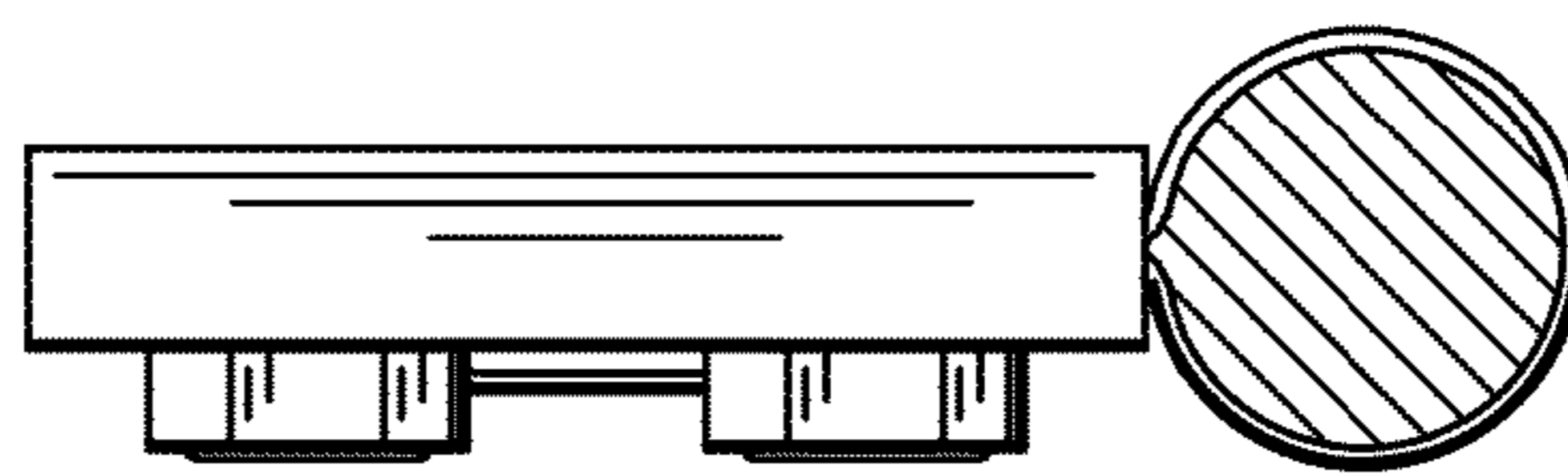


FIG. 7

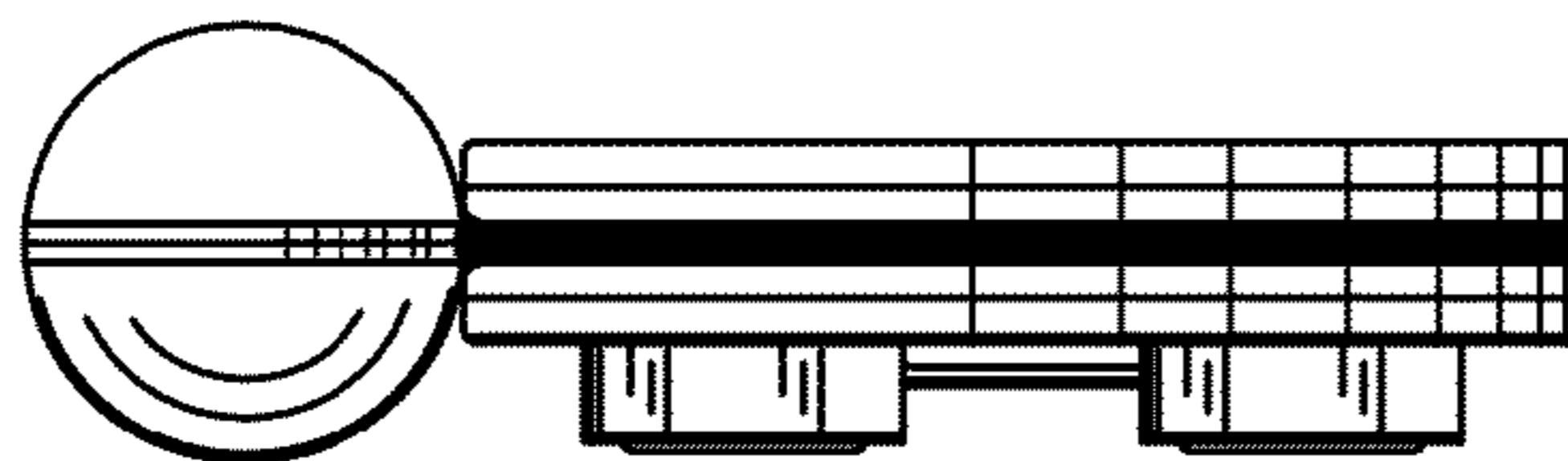


FIG. 8

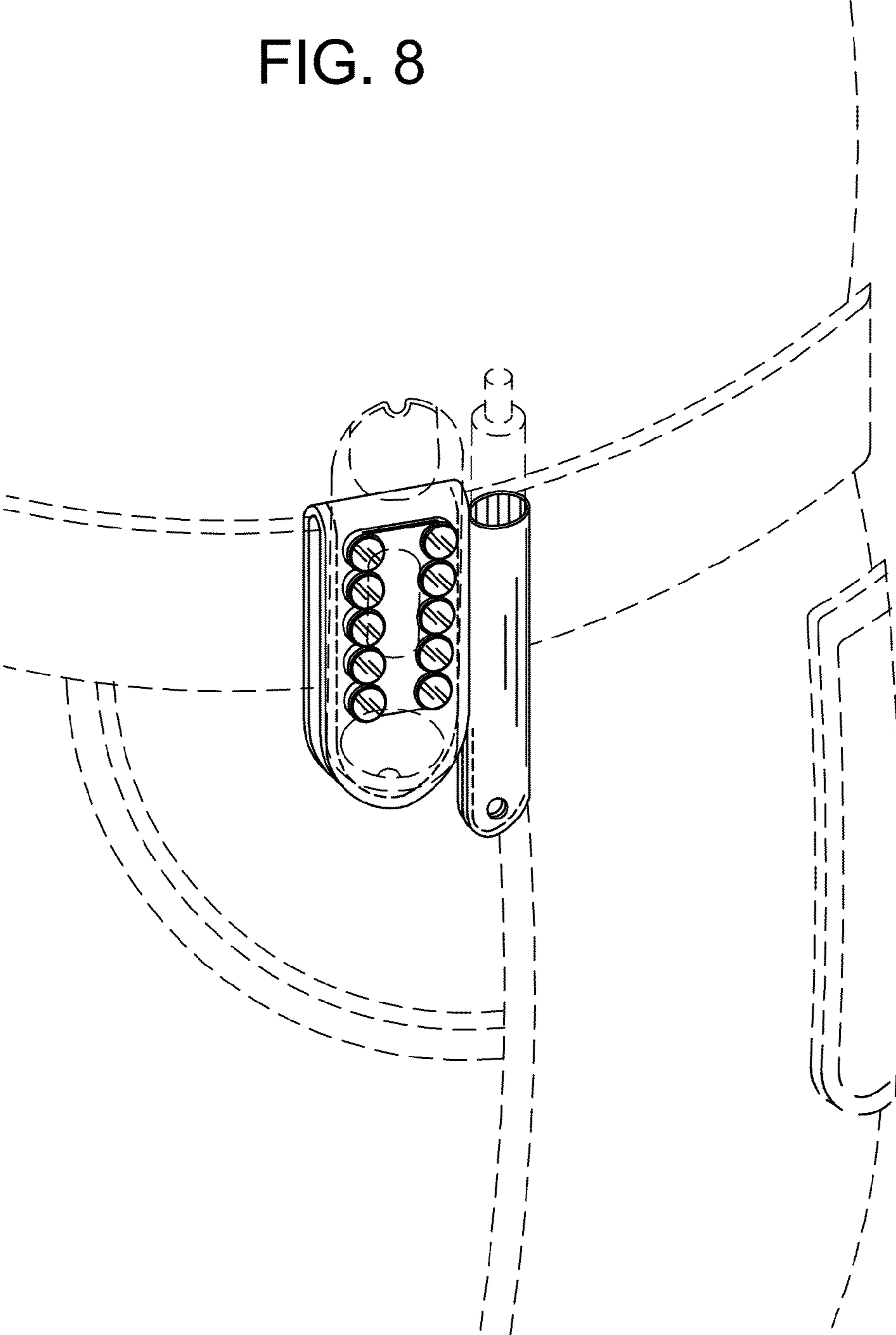


FIG. 9

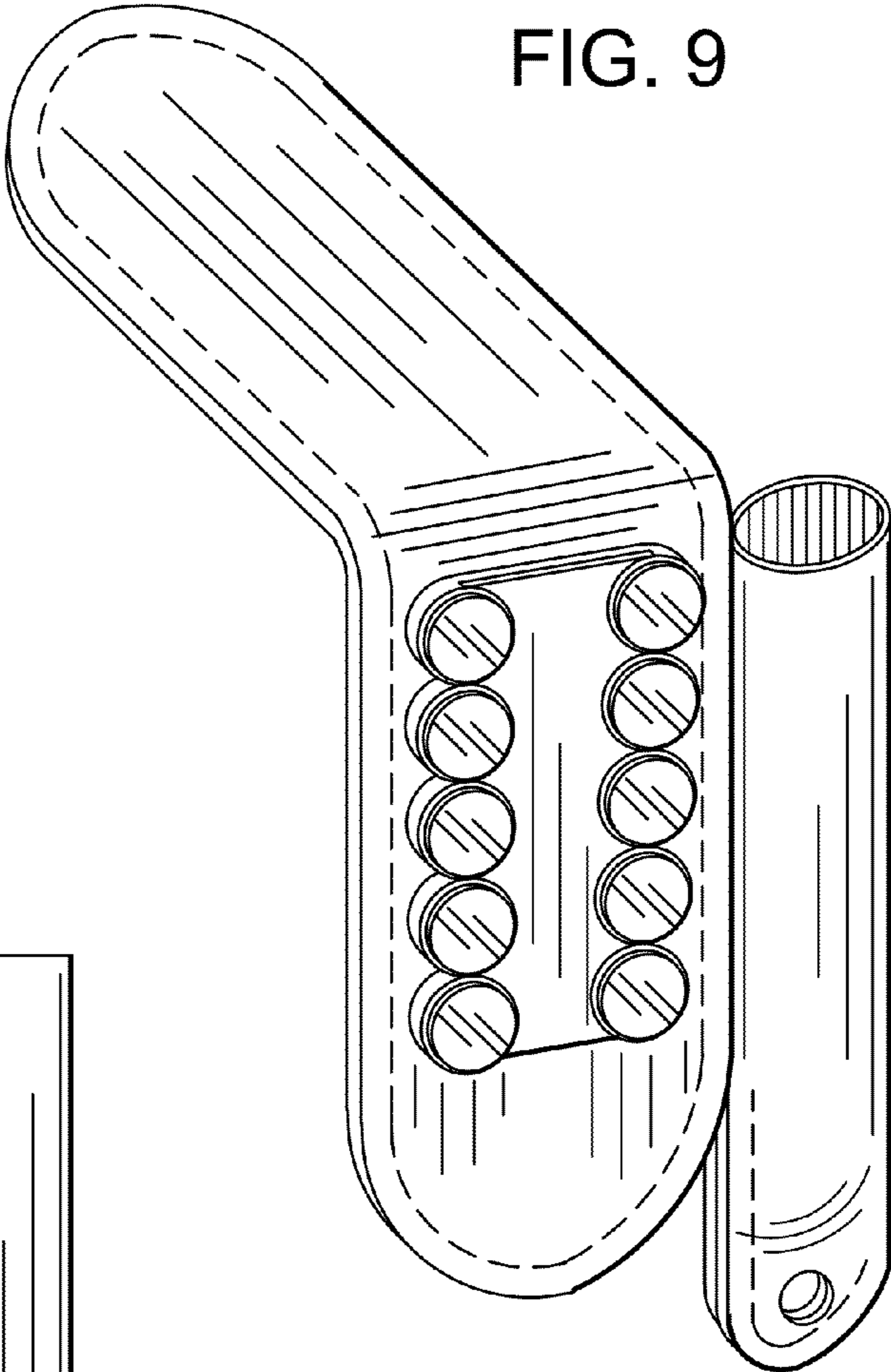


FIG. 10

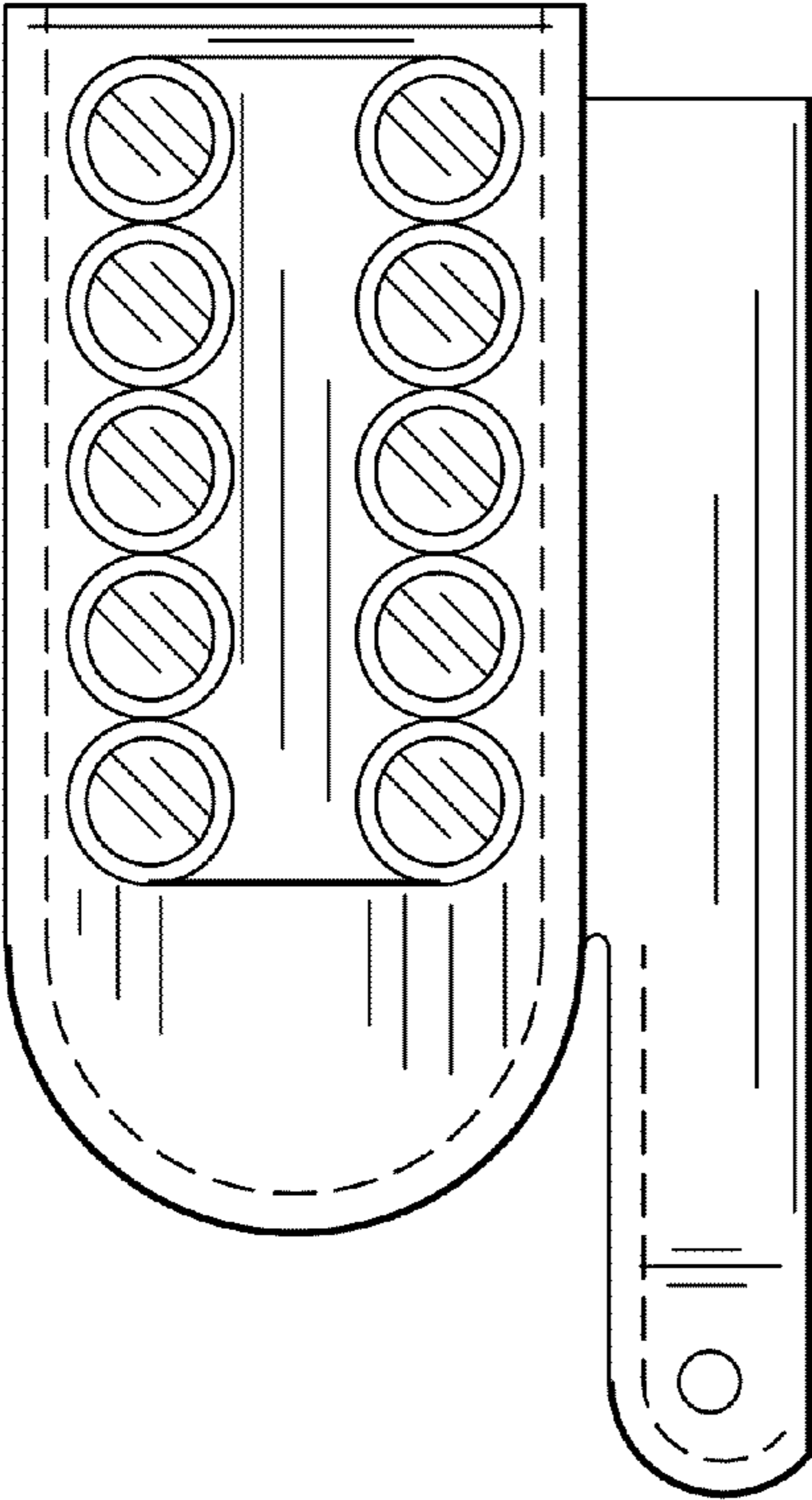


FIG. 11

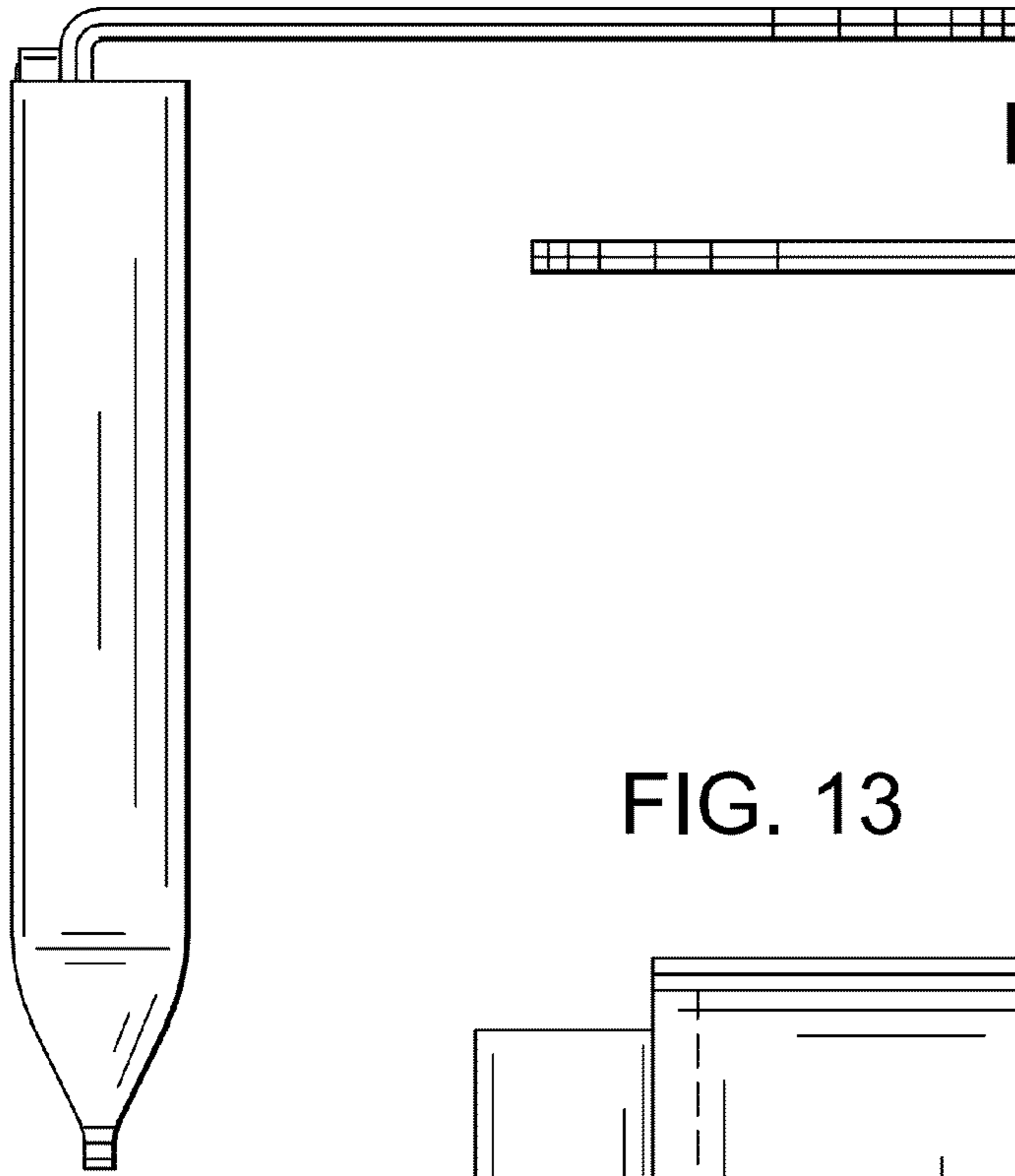


FIG. 12

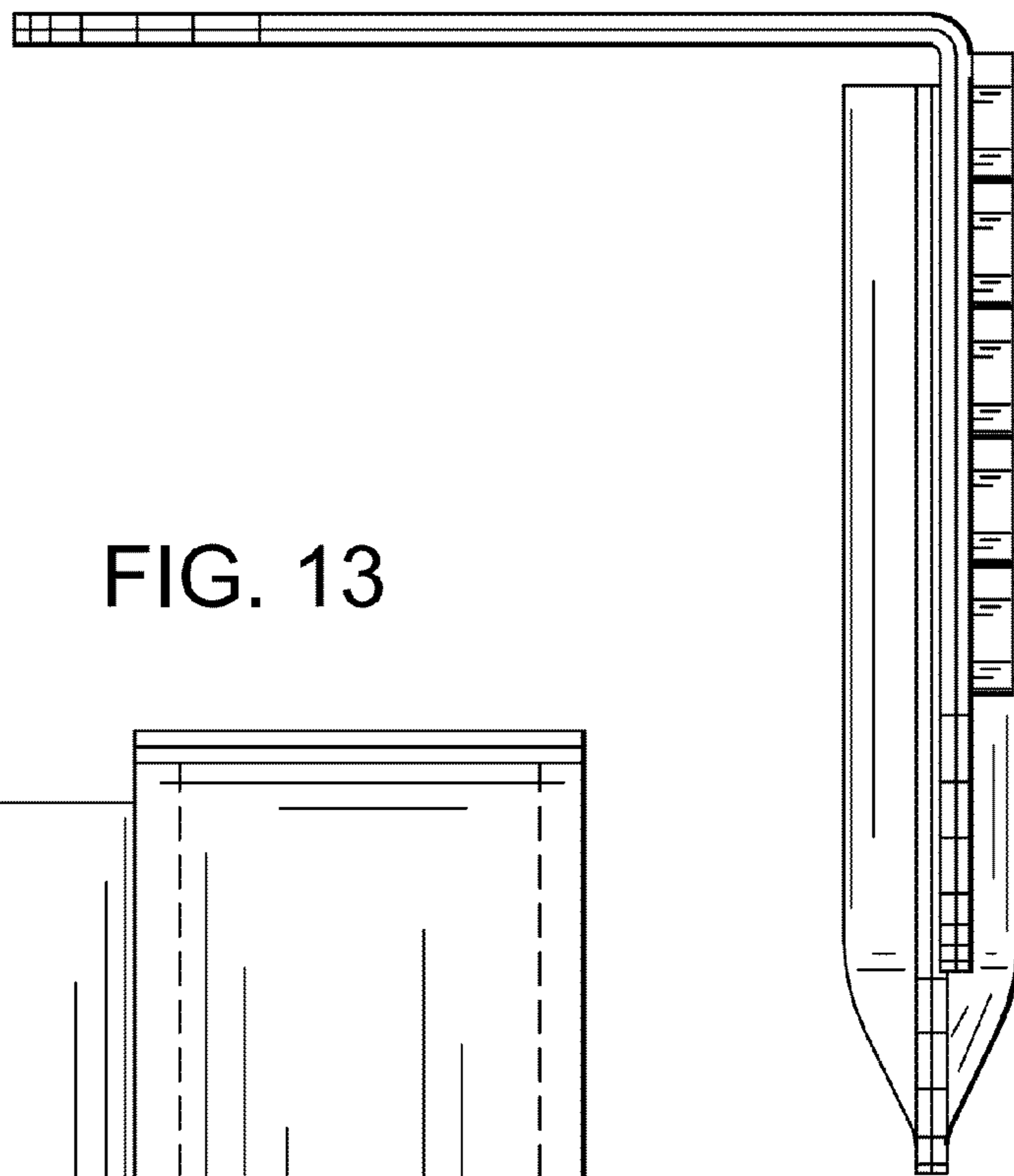
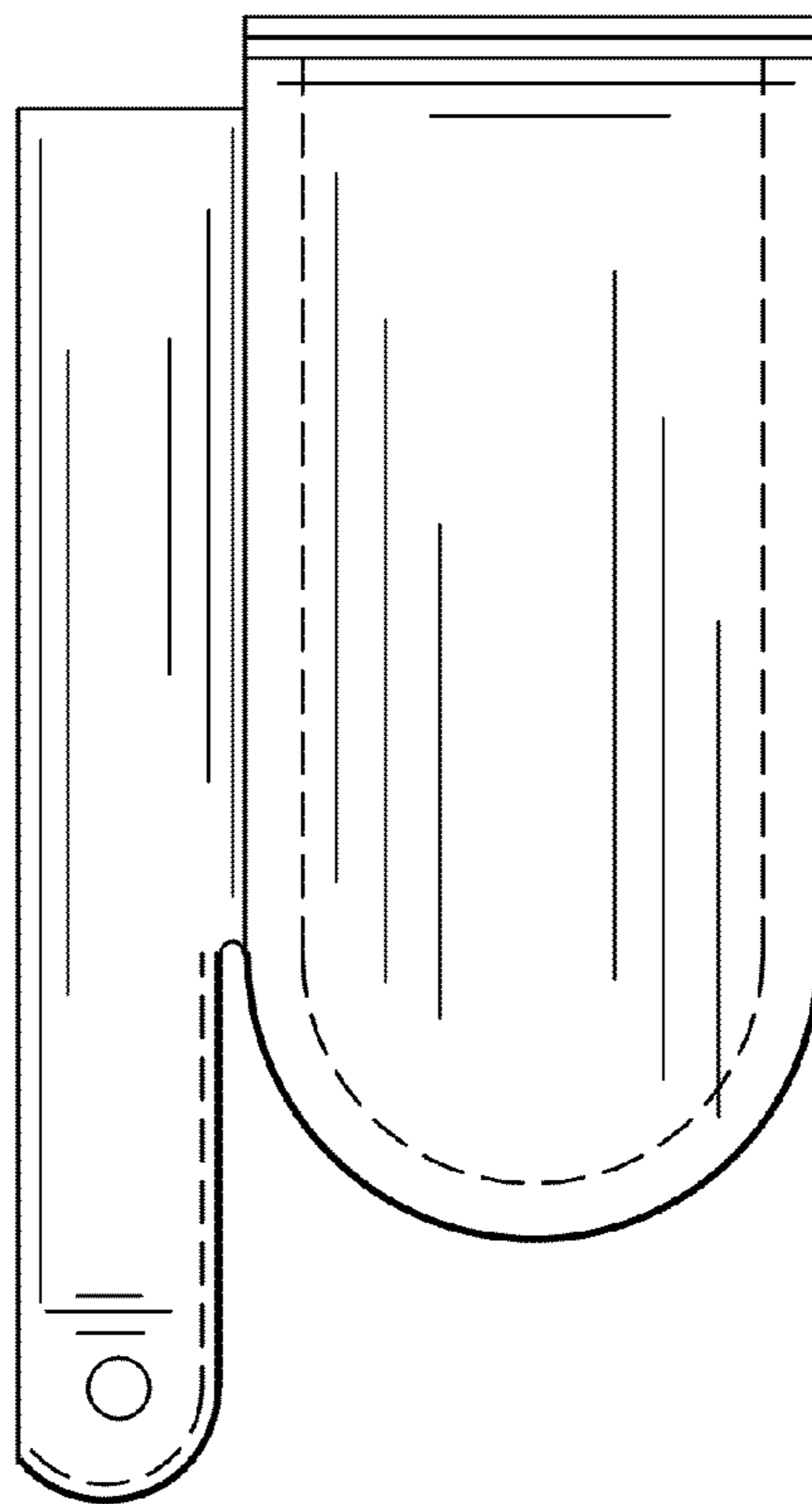


FIG. 13



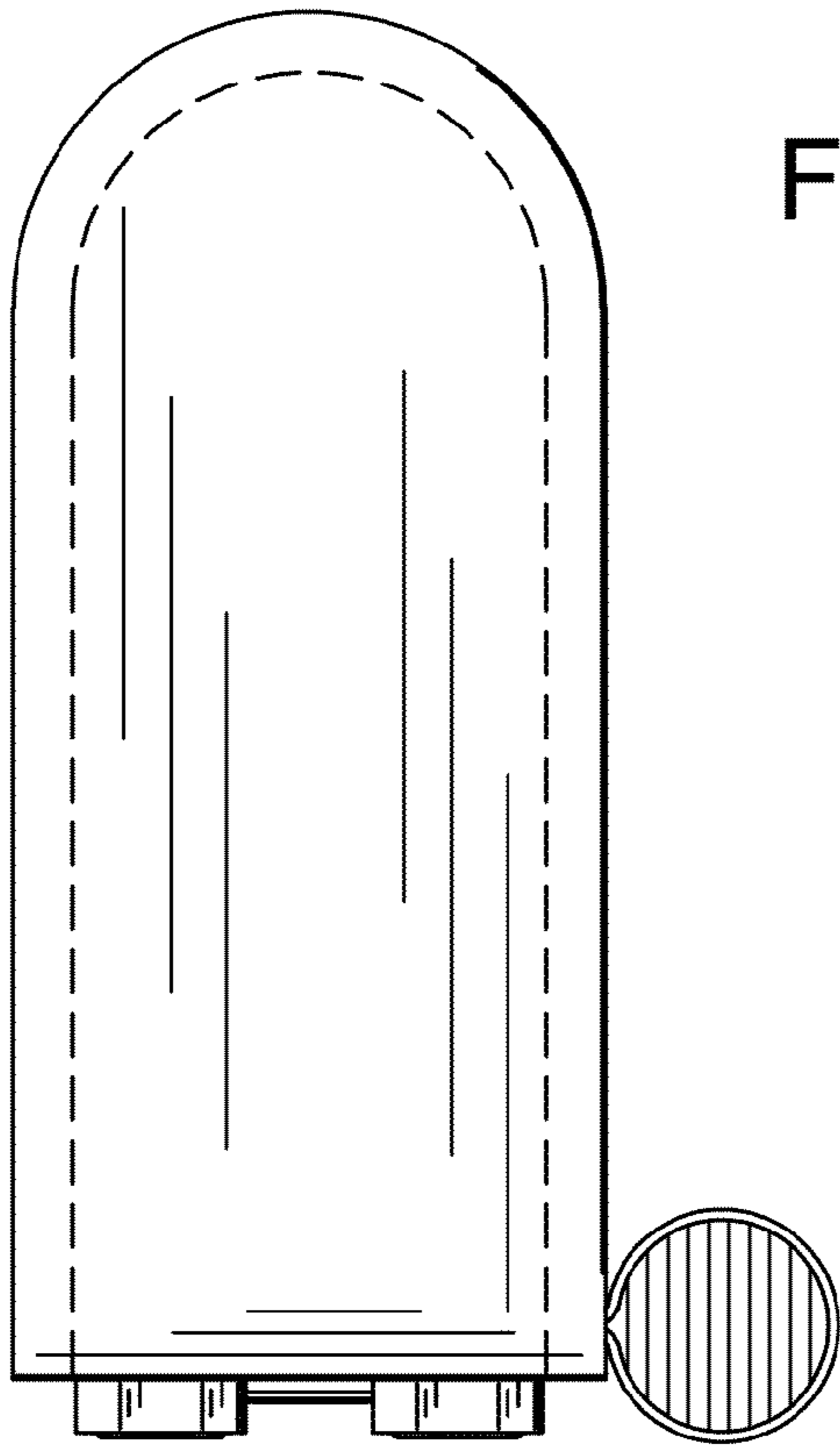


FIG. 14

FIG. 15

