



US00D753905S

(12) **United States Design Patent**
Singleterry

(10) **Patent No.:** **US D753,905 S**

(45) **Date of Patent:** **** Apr. 19, 2016**

(54) **PUZZLE-SHAPED SNAPBACK-STYLE SIZE ADJUSTMENT STRAP**

(71) Applicant: **Daryl Edward Singleterry**, Portsmouth, NH (US)

(72) Inventor: **Daryl Edward Singleterry**, Portsmouth, NH (US)

(**) Term: **14 Years**

(21) Appl. No.: **29/504,996**

(22) Filed: **Oct. 11, 2014**

(51) **LOC (10) Cl.** **02-03**

(52) **U.S. Cl.**
USPC **D2/891**

(58) **Field of Classification Search**
USPC D2/865, 866, 869, 872, 874, 877, 880,
D2/881, 882, 884, 891, 895, 999;
D29/122, 129; D11/3, 6, 12, 17, 19,
D11/220

CPC A42B 1/00; A42B 1/004; A42B 1/02;
A42B 1/062; A42B 1/064; A42B 1/205;
A42B 1/22; A42B 1/24; A42B 3/14; A42B
3/145; A42B 7/00; A44C 5/00

See application file for complete search history.

(56) **References Cited**

U.S. PATENT DOCUMENTS

1,709,181	A *	4/1929	Matlock	A42B 1/22 24/595.1
2,322,461	A *	6/1943	Mariano	A44C 5/00 40/118
D299,380	S *	1/1989	Wang	168/13
D350,772	S *	9/1994	King	D19/64
D396,547	S *	8/1998	Capparella	D2/866
D425,688	S *	5/2000	Richlin	D2/865
D668,172	S *	10/2012	Gaspard	D11/6
D675,404	S *	2/2013	Parker	D2/882
8,584,265	B2 *	11/2013	Lilenthal	A42B 3/14 2/417

2003/0233696	A1 *	12/2003	Lee	A42B 1/22 2/195.2
2004/0187191	A1 *	9/2004	Lee	A42B 1/24 2/171
2008/0201825	A1 *	8/2008	Chun	A42B 1/225 2/209.13
2010/0281661	A1 *	11/2010	Harada	A42B 1/22 24/593.11
2013/0111650	A1 *	5/2013	Hong	A42B 1/225 2/209.13
2014/0101820	A1 *	4/2014	Cho	A42B 1/22 2/171

OTHER PUBLICATIONS

“Amber Snap Bliiizlz 4 pack,” item avialble for sale on-line. Publication date unknown. Retrieved from the Internet on Nov. 24, 2015. URL: <http://www.mcssl.com/store/tripleiiicons/amber-snap-bliiizlz-4-pack>. (1 page).*

* cited by examiner

Primary Examiner — Karen E. Eldridge Powers

Assistant Examiner — Jasmine Mlinarcik

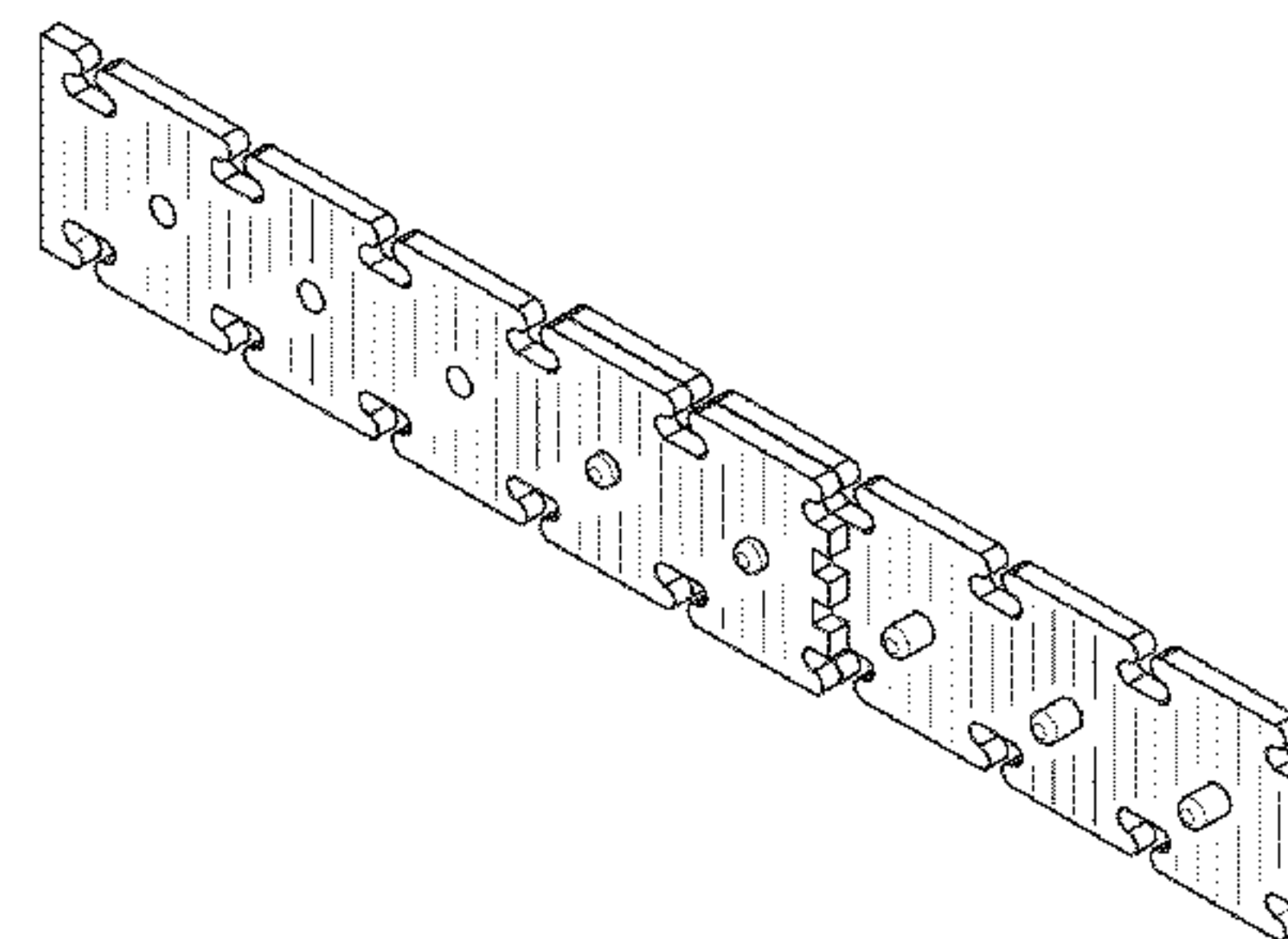
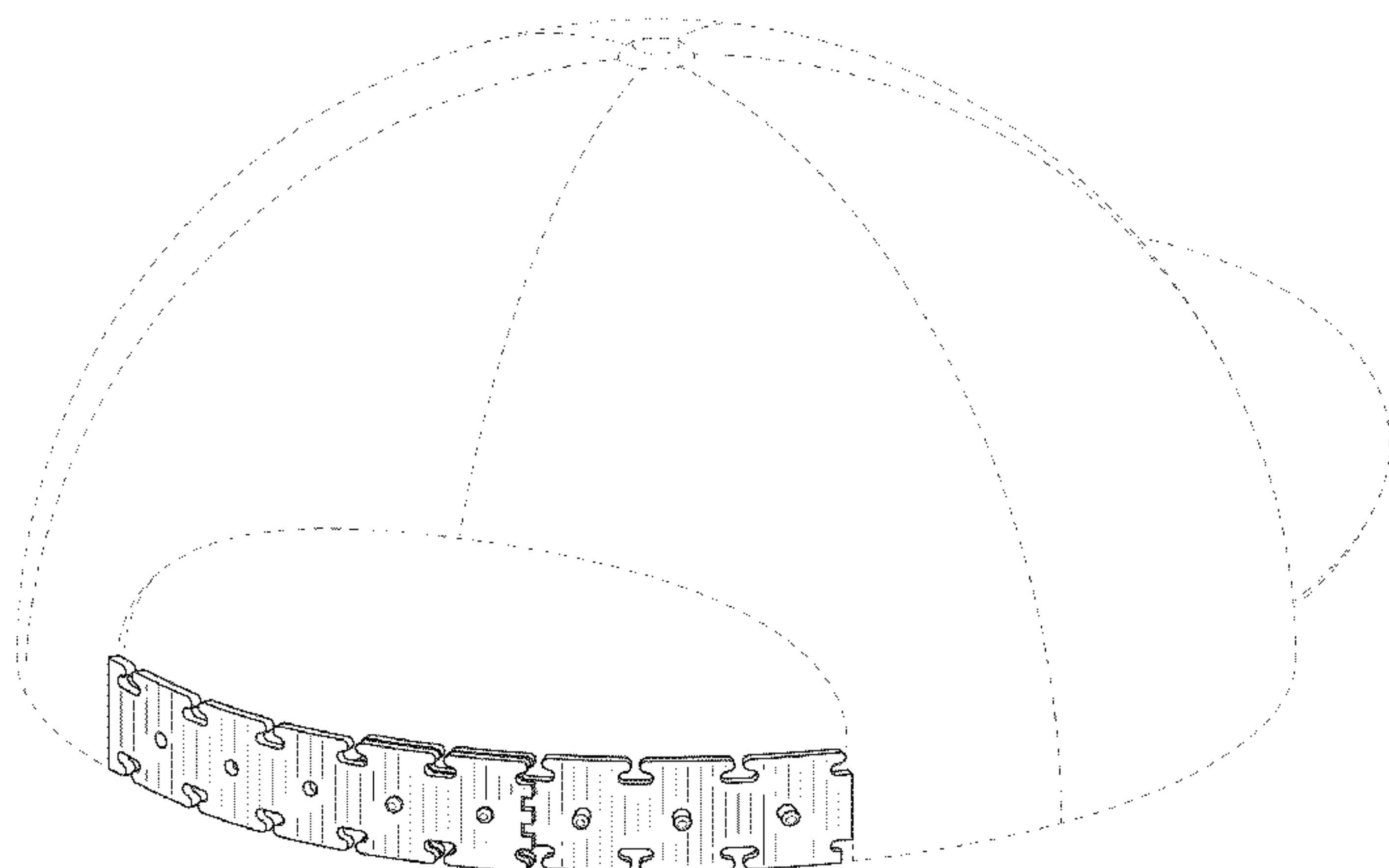
(57) **CLAIM**

The ornamental design for a puzzle-shaped snapback-style size adjustment strap, as shown and described.

DESCRIPTION

FIG. 1 is a front perspective view of a puzzle-shaped snapback-style size adjustment strap in use;
FIG. 2 is a front perspective view thereof;
FIG. 3 is a front elevation view thereof;
FIG. 4 is a rear elevation view thereof;
FIG. 5 is a left side elevation view thereof;
FIG. 6 is a right side elevation view thereof;
FIG. 7 is a top plan view thereof; and,
FIG. 8 is a bottom plan view thereof.
The broken lines shown in the drawings that illustrate a hat form no part of the claimed design.

1 Claim, 3 Drawing Sheets



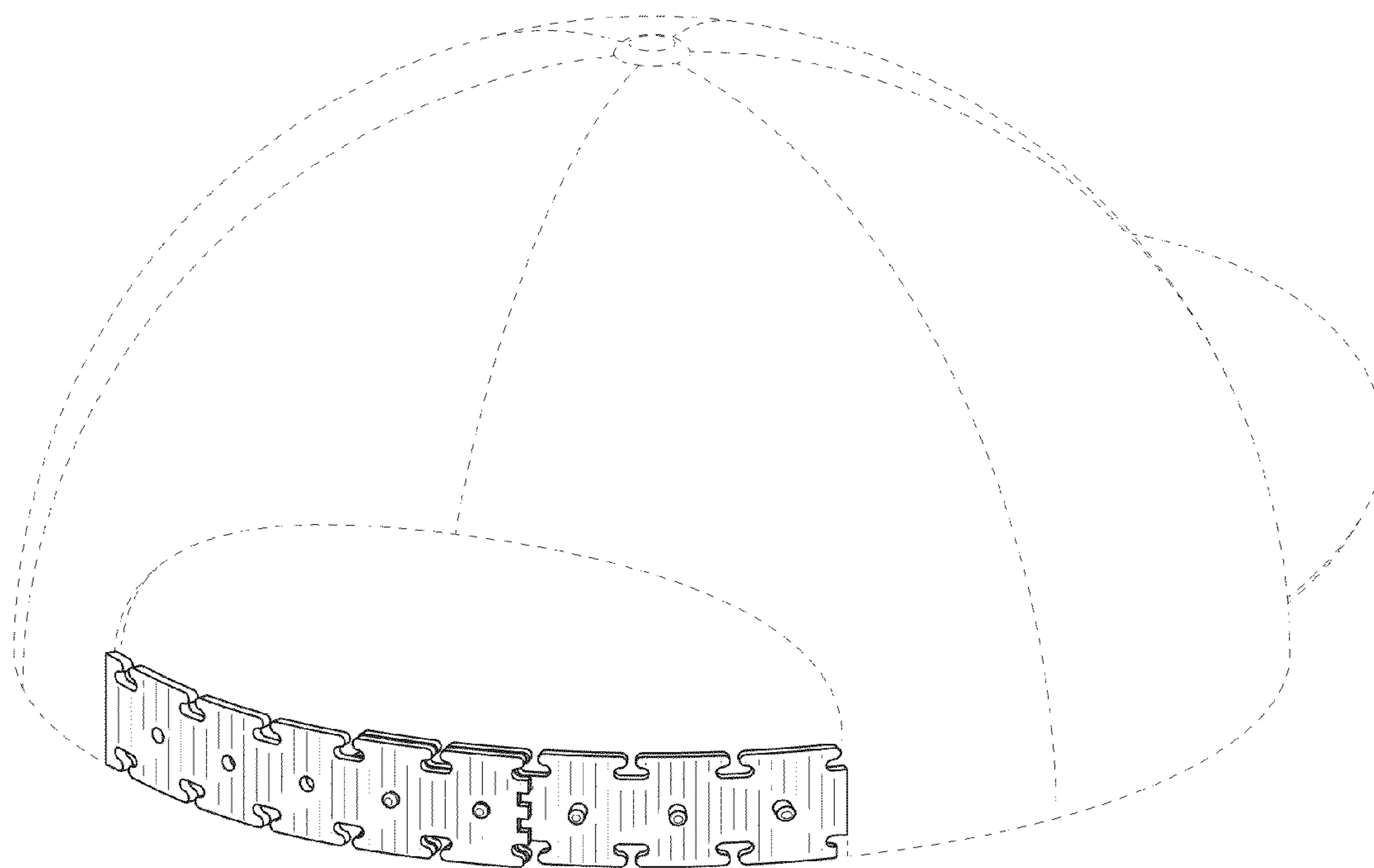


FIG. 1

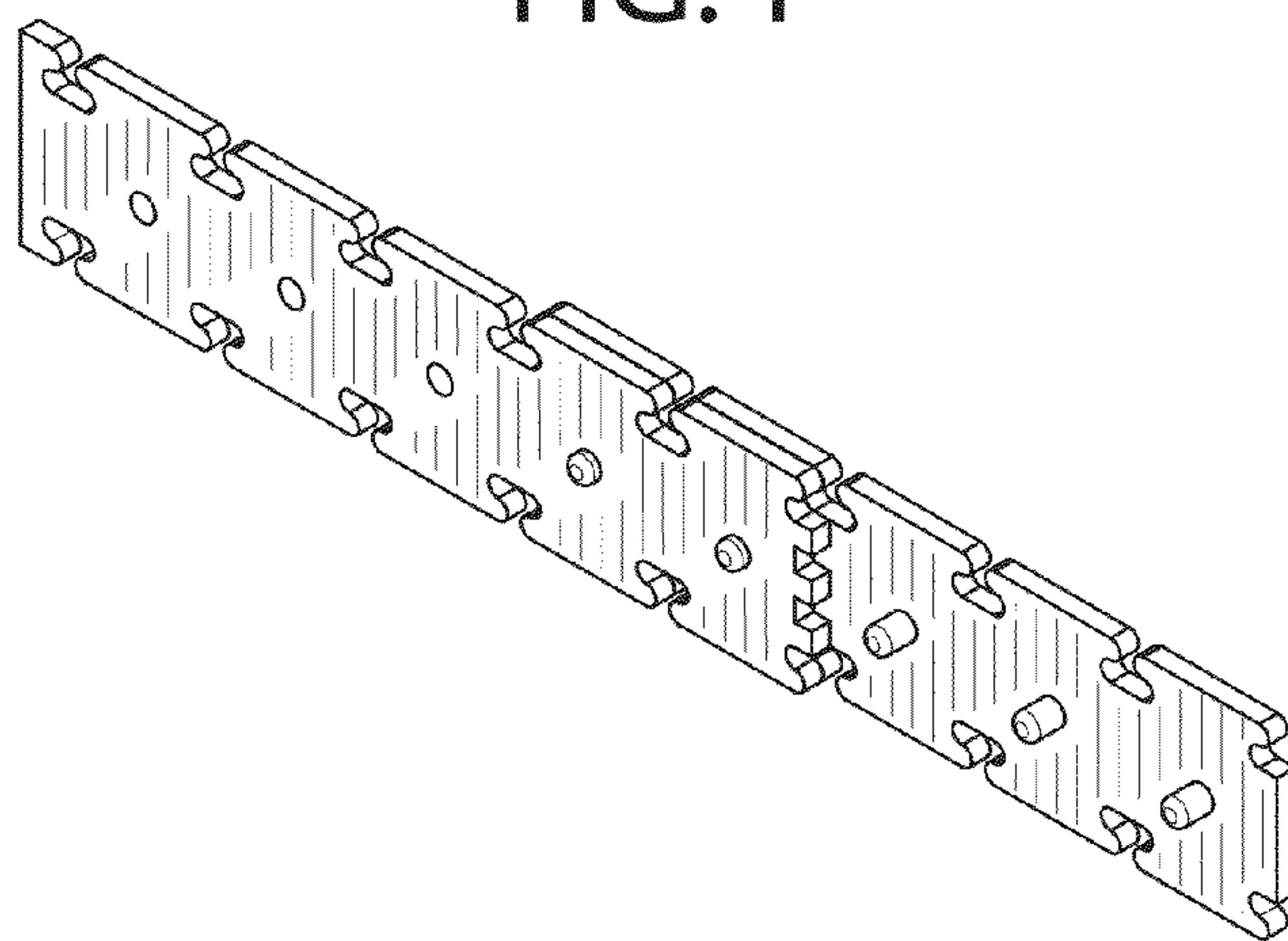


FIG. 2

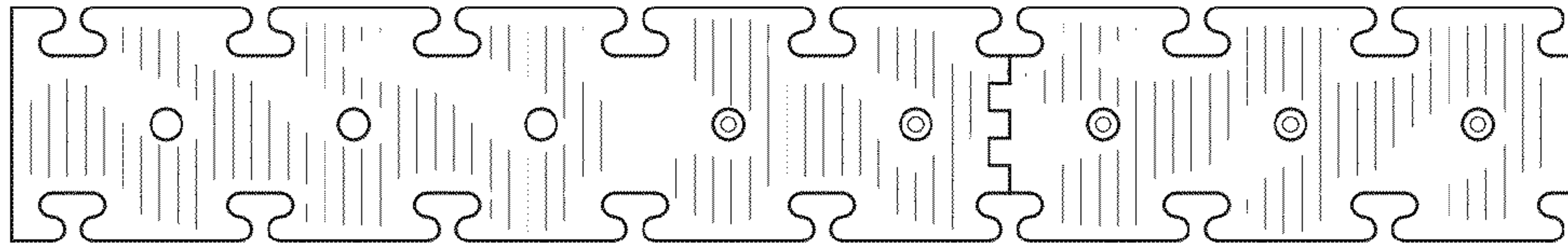


FIG. 3

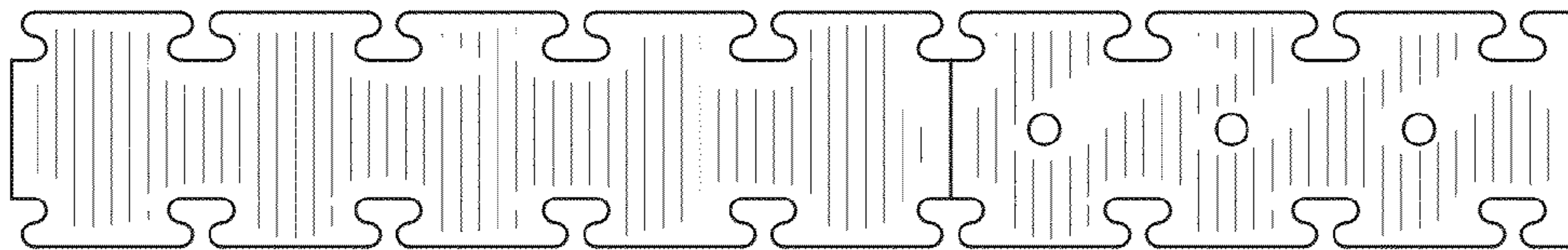


FIG. 4

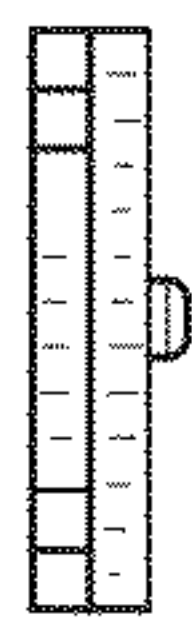


FIG. 5

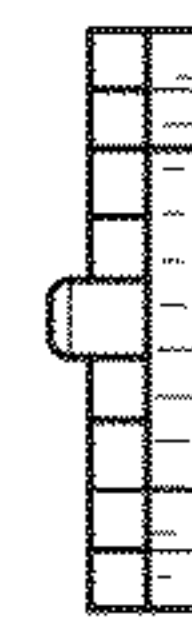


FIG. 6

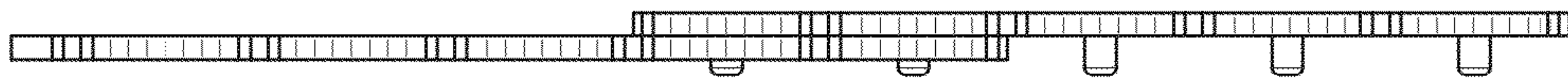


FIG. 7

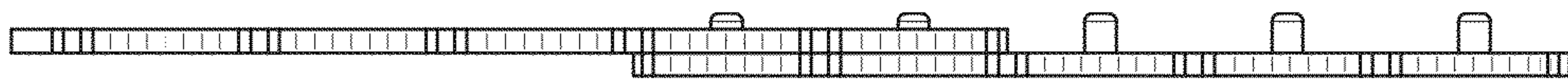


FIG. 8