



US00D753892S

(12) **United States Design Patent**
Hutchinson

(10) **Patent No.:** **US D753,892 S**
(45) **Date of Patent:** **** Apr. 19, 2016**

(54) **WAIST BELT**

(71) Applicant: **Tess E. Hutchinson**, Dallas, TX (US)

(72) Inventor: **Tess E. Hutchinson**, Dallas, TX (US)

(**) Term: **14 Years**

(21) Appl. No.: **29/503,047**

(22) Filed: **Sep. 23, 2014**

(51) **LOC (10) Cl.** **02-07**

(52) **U.S. Cl.**
USPC **D2/627**

(58) **Field of Classification Search**
USPC D2/627, 628, 629, 631, 632, 634, 635,
D2/636, 638; D3/215, 635; D11/3, 216;
D21/692; D29/101.3, 101.5, 120.1;
D30/152, 153
CPC A41F 9/00; A41F 9/002; A41F 9/005;
A41F 9/007; A41F 9/02; A63B 29/02; A63B
29/028; B68C 1/14; A45F 5/021
See application file for complete search history.

(56) **References Cited**

U.S. PATENT DOCUMENTS

D69,883 S	4/1926	Hannon	
D78,173 S *	4/1929	Tonks	D11/216
D116,437 S	8/1939	Toran	
D117,236 S	10/1939	Zaretzky	
D121,971 S	8/1940	Amen	
2,392,761 A *	1/1946	Pease, Jr.	A41F 9/002 2/311
2,655,664 A *	10/1953	Ramos	A41F 9/002 2/301
3,378,895 A *	4/1968	Eberhart	A44B 11/2511 24/650
D341,336 S *	11/1993	Stathis	D11/216

D356,516 S *	3/1995	Price	D10/104.1
D369,129 S	4/1996	Fildan	
D369,327 S	4/1996	Fildan	
D373,011 S	8/1996	Rippel	
D384,486 S	10/1997	Herrli	
D386,867 S *	11/1997	Clark	D2/627
D472,499 S	4/2003	Valle	
D475,946 S *	6/2003	Fildan	D11/216
D488,912 S	4/2004	Berger	
D558,427 S	1/2008	Solin	
2009/0007317 A1 *	1/2009	White	A41F 9/00 2/322

* cited by examiner

Primary Examiner — Celia Murphy

Assistant Examiner — Clare Ann Gannon

(74) *Attorney, Agent, or Firm* — Locke Lord LLP

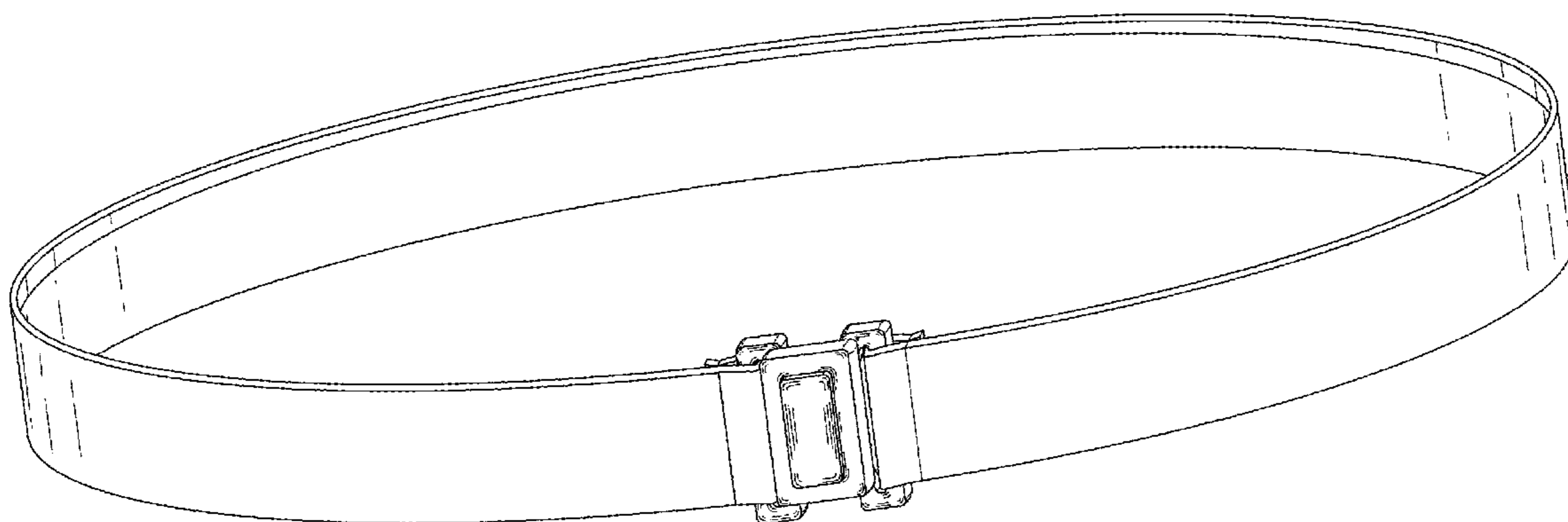
(57) **CLAIM**

The ornamental design for a waist belt, as shown and described.

DESCRIPTION

FIG. 1 is a perspective view of the waist belt;
FIG. 2 is a rear elevation view of the waist belt;
FIG. 3 is a top plan view of the waist belt;
FIG. 4 is a front elevation view of the waist belt;
FIG. 5 is a bottom plan view of the waist belt;
FIG. 6 is a right elevation view of the waist belt;
FIG. 7 is a left elevation view of the waist belt;
FIG. 8 is a rear elevation view of the waist belt taken along line 8-8 in FIG. 5;
FIG. 9 is a cross sectional view of the waist belt taken along line 9-9 in FIG. 2; and,
FIG. 10 is a cross sectional view of the waist belt taken along line 10-10 in FIG. 2.

1 Claim, 3 Drawing Sheets



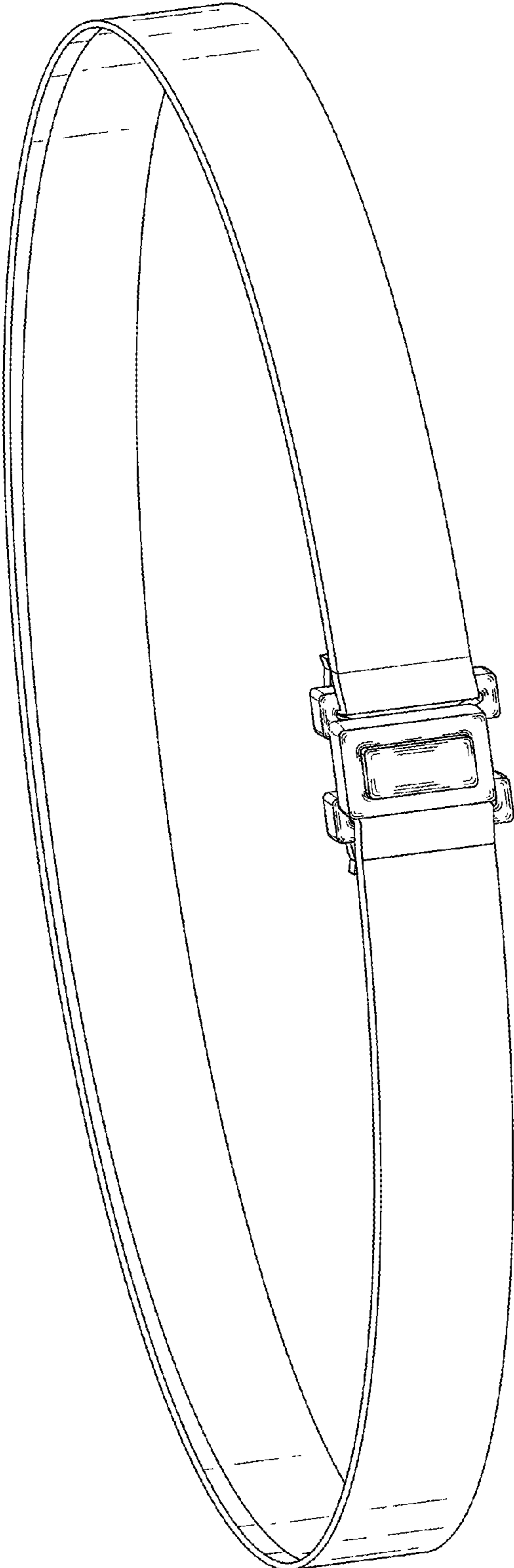
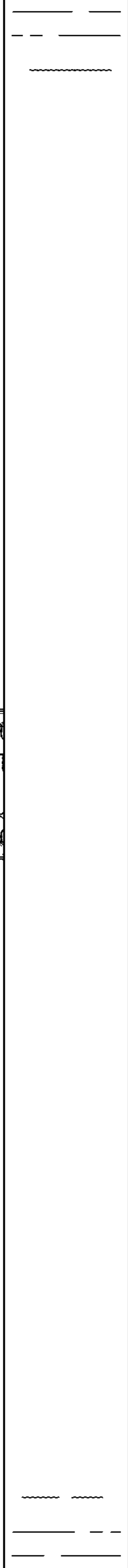


FIG. 1

10 → 9



10 → 9

FIG. 2

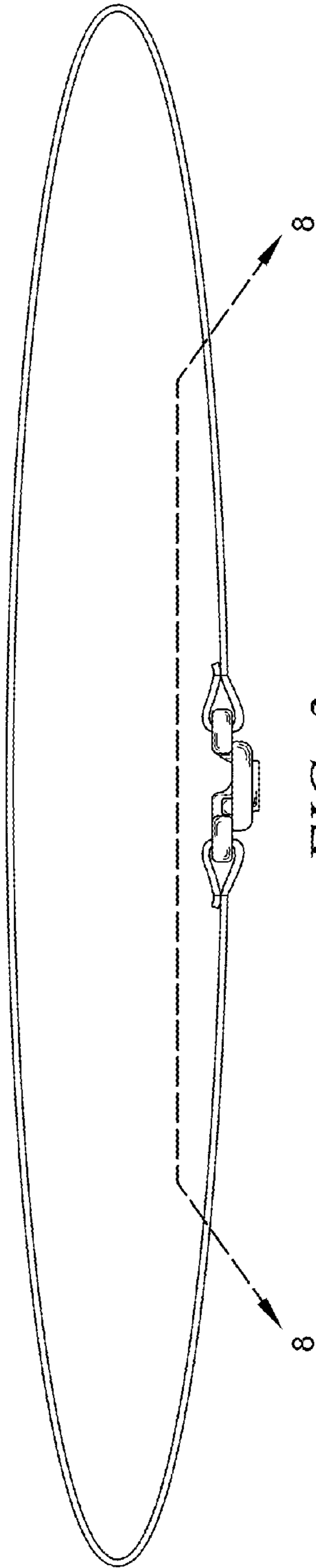


FIG. 3

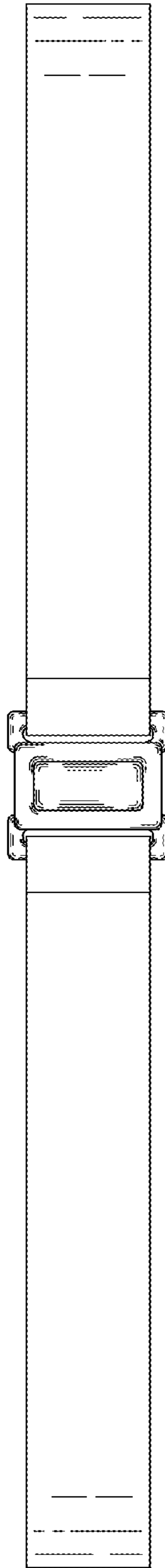


FIG. 4

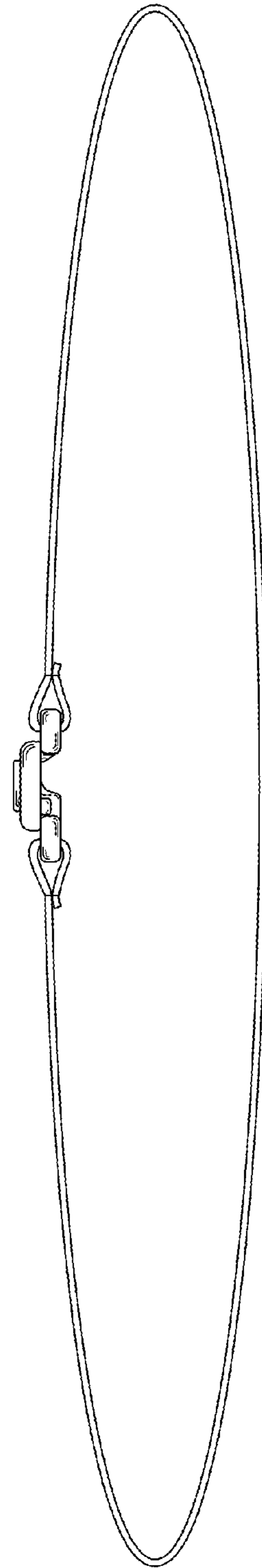


FIG. 5

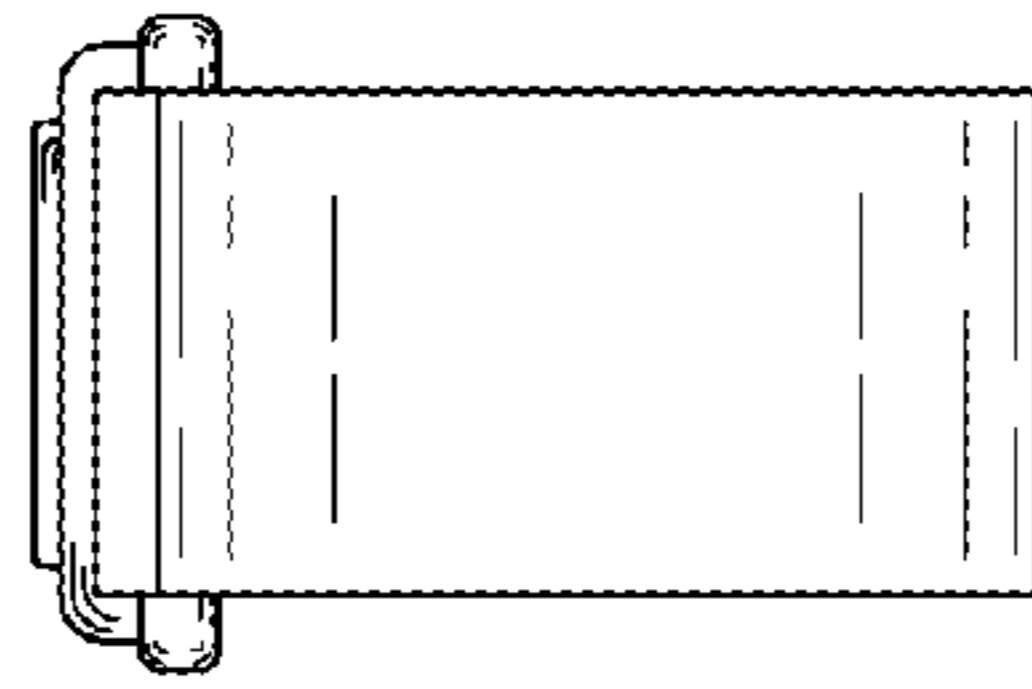


FIG. 6

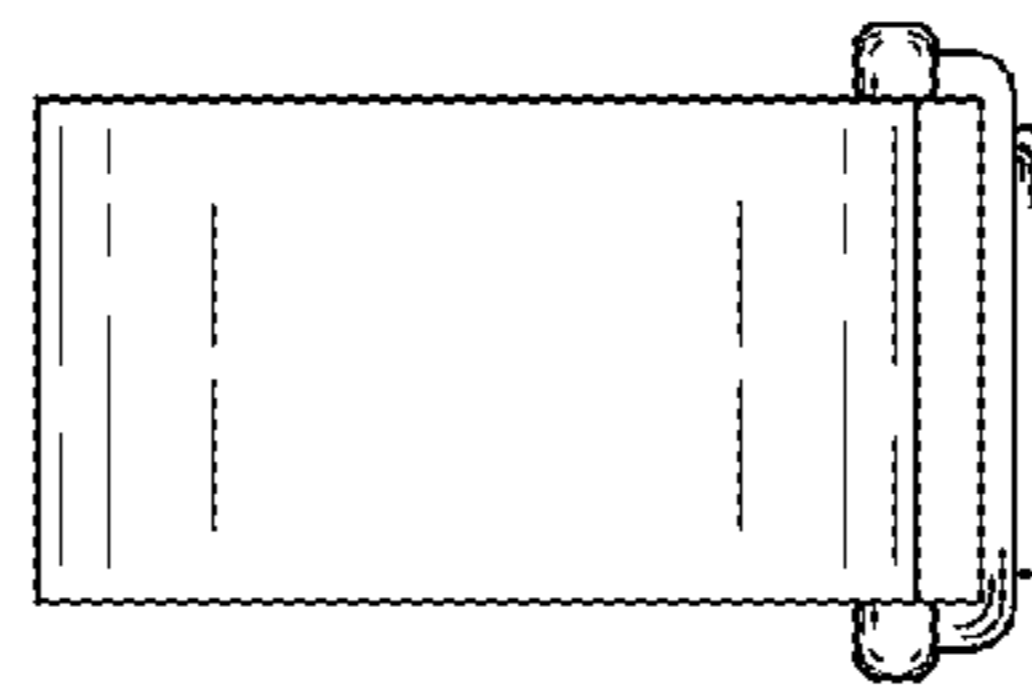


FIG. 7

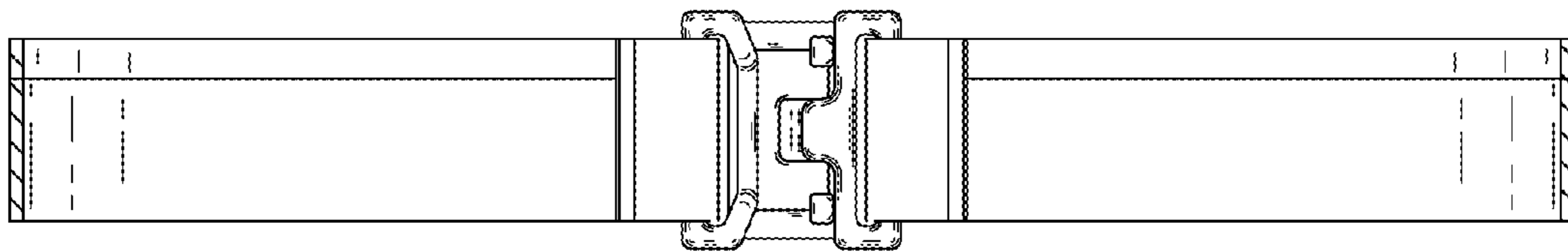


FIG. 8

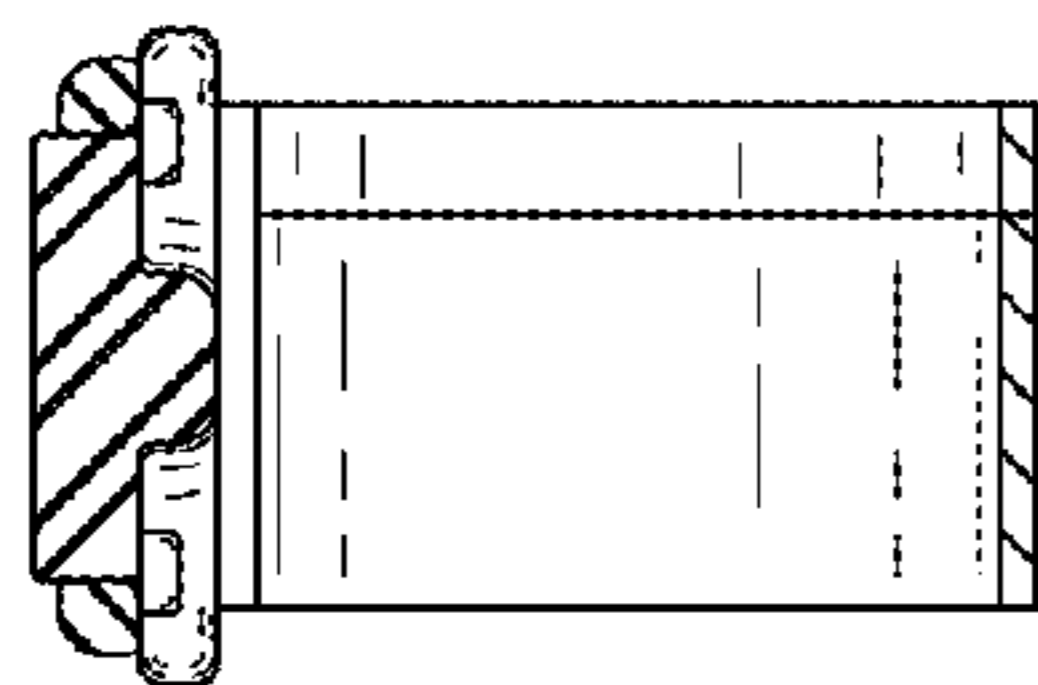


FIG. 9

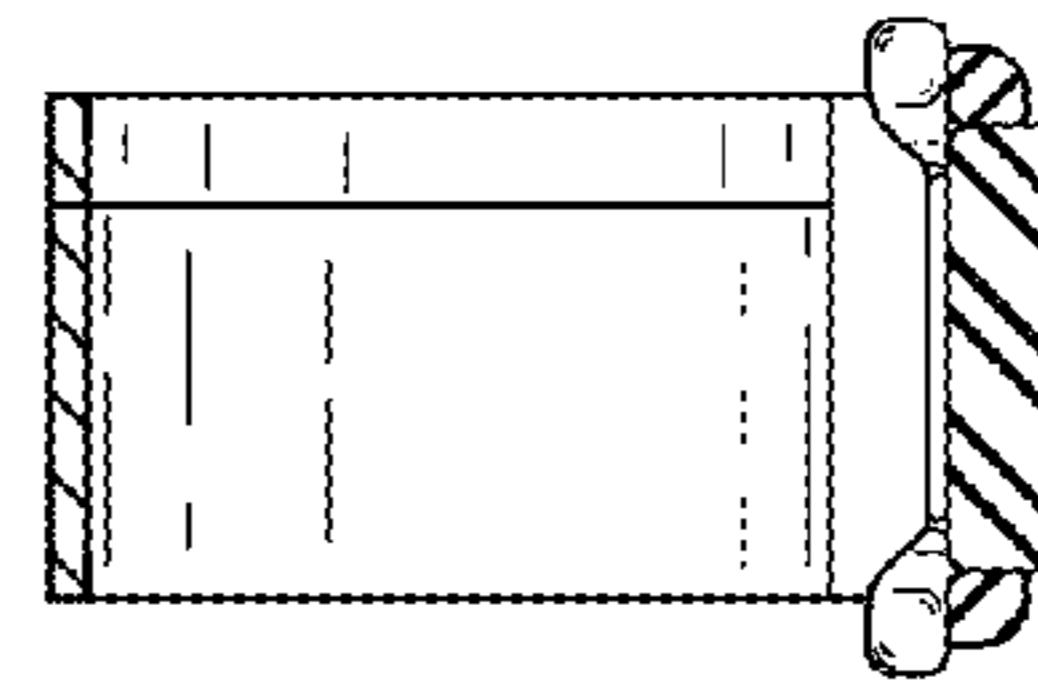


FIG. 10