



US00D753890S

(12) **United States Design Patent**
Zemel et al.

(10) **Patent No.:** **US D753,890 S**
(45) **Date of Patent:** **** Apr. 12, 2016**

(54) **GRILL SCRAPER**

(71) Applicant: **BLUE RHINO GLOBAL SOURCING, INC.**, Liberty, MO (US)

(72) Inventors: **Marc Zemel**, Melville, NY (US); **Adam Schillen**, Dix Hills, NY (US)

(73) Assignee: **BLUE RHINO GLOBAL SOURCING, INC.**, Liberty, MO (US)

(**) Term: **14 Years**

(21) Appl. No.: **29/512,847**

(22) Filed: **Dec. 23, 2014**

(51) **LOC (10) Cl.** **06-05**

(52) **U.S. Cl.**
USPC **D32/46**

(58) **Field of Classification Search**
USPC D32/46, 49, 42; D8/14, 45, 46, 47, 105, D8/98, 90; D7/682
CPC B60S 3/045; A47L 1/16
See application file for complete search history.

(56) **References Cited**

U.S. PATENT DOCUMENTS

D292,532 S *	10/1987	Strongwater	D32/49
D320,921 S *	10/1991	Henke	D8/14
D324,805 S *	3/1992	Pease	D8/105
D343,265 S *	1/1994	Pollak	D32/41
5,357,646 A *	10/1994	Kim	A47L 1/16 15/111

D452,759 S *	1/2002	Spear	D32/46
D459,847 S *	7/2002	Ingram	D32/49
D523,198 S *	6/2006	Veltrop	D32/49
D587,871 S *	3/2009	van Deursen	D32/46
D652,593 S *	1/2012	Wu	D32/40
D664,319 S *	7/2012	Thompson	D32/46
D685,554 S *	7/2013	Malvasio	D32/40
D721,213 S *	1/2015	Hamilton	D32/46

* cited by examiner

Primary Examiner — T. Chase Nelson

Assistant Examiner — Michelle E Wilson

(74) *Attorney, Agent, or Firm* — Carter, DeLuca, Farrell & Schmidt, LLP

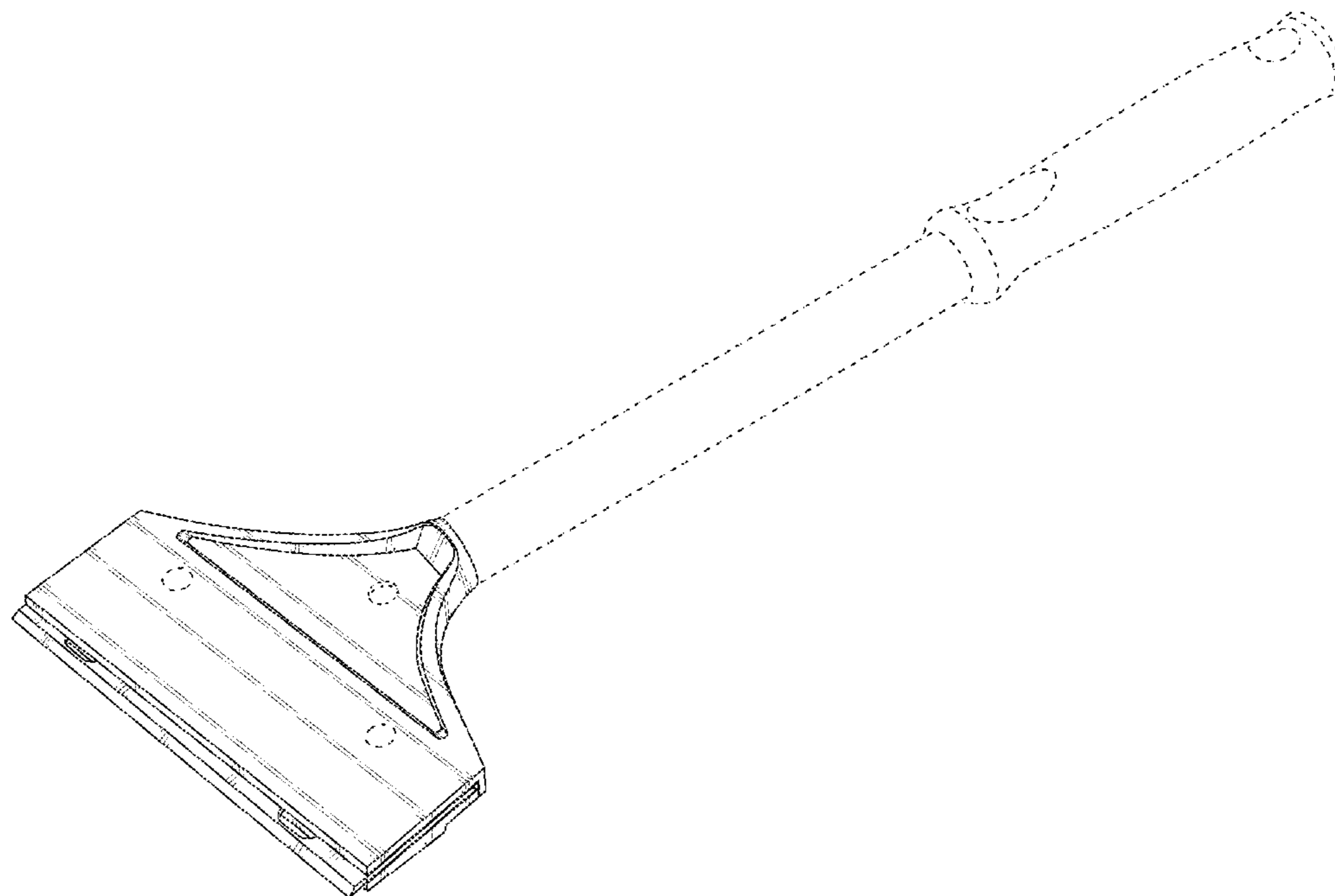
(57) **CLAIM**

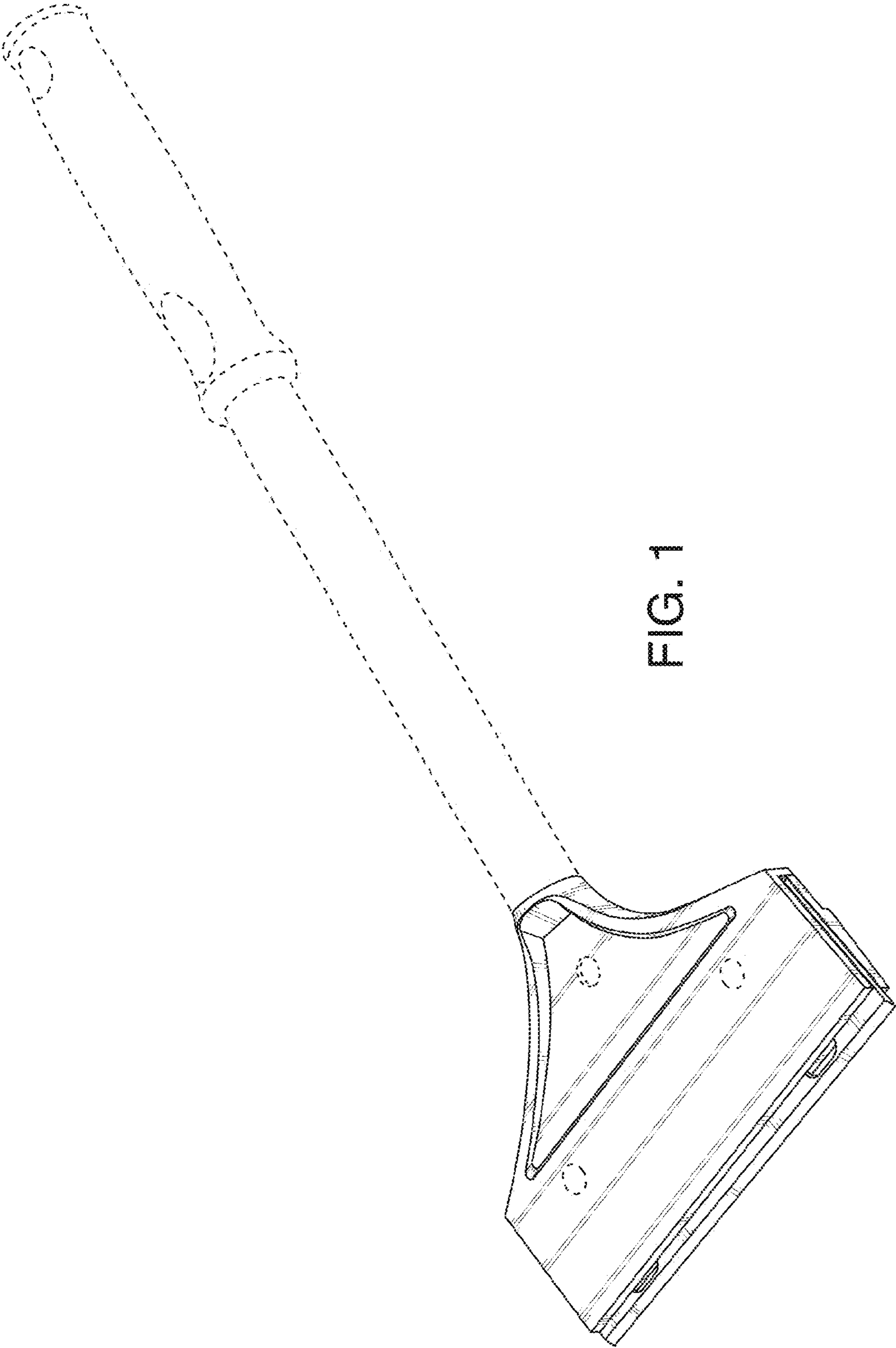
The ornamental design for a grill scraper, as shown and described.

DESCRIPTION

FIG. 1 is a perspective view of a grill scraper in accordance with the present design;
FIG. 2 is a right side elevational view thereof;
FIG. 3 is a left side elevational view thereof;
FIG. 4 is a front side elevational view thereof;
FIG. 5 is a rear side elevational view thereof;
FIG. 6 is a top plan view thereof; and,
FIG. 7 is a bottom plan view thereof.
The broken lines shown are included for the purpose of illustrating a portion of the grill scraper that forms no part of the claimed design.

1 Claim, 5 Drawing Sheets





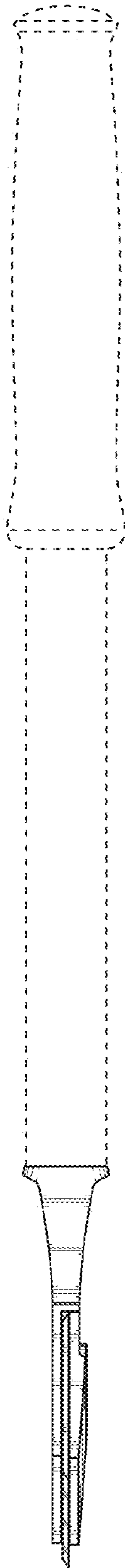


FIG. 2

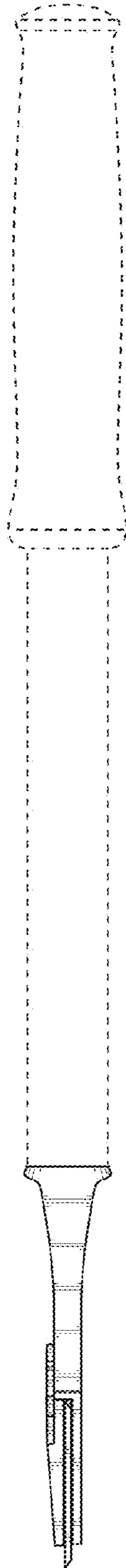


FIG. 3

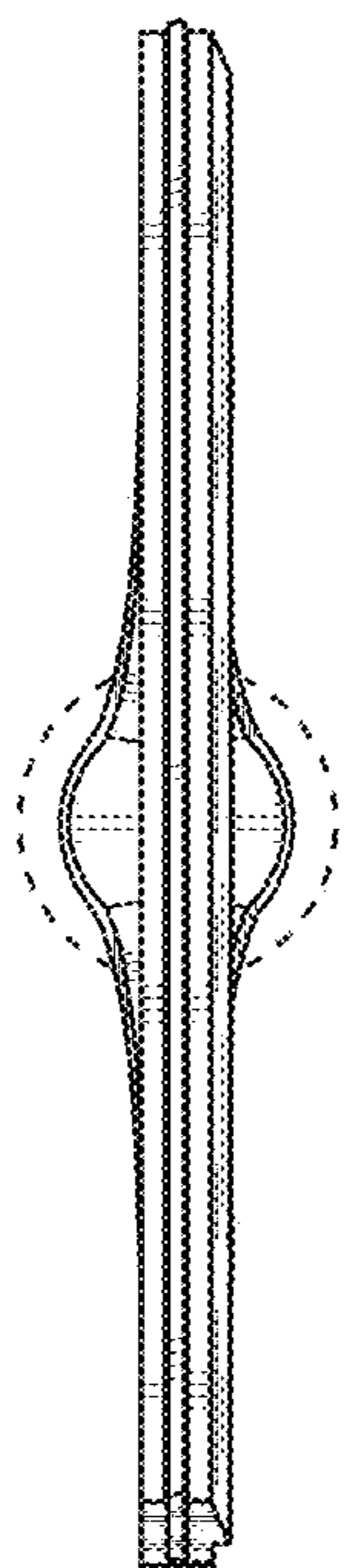


FIG. 4



FIG. 5

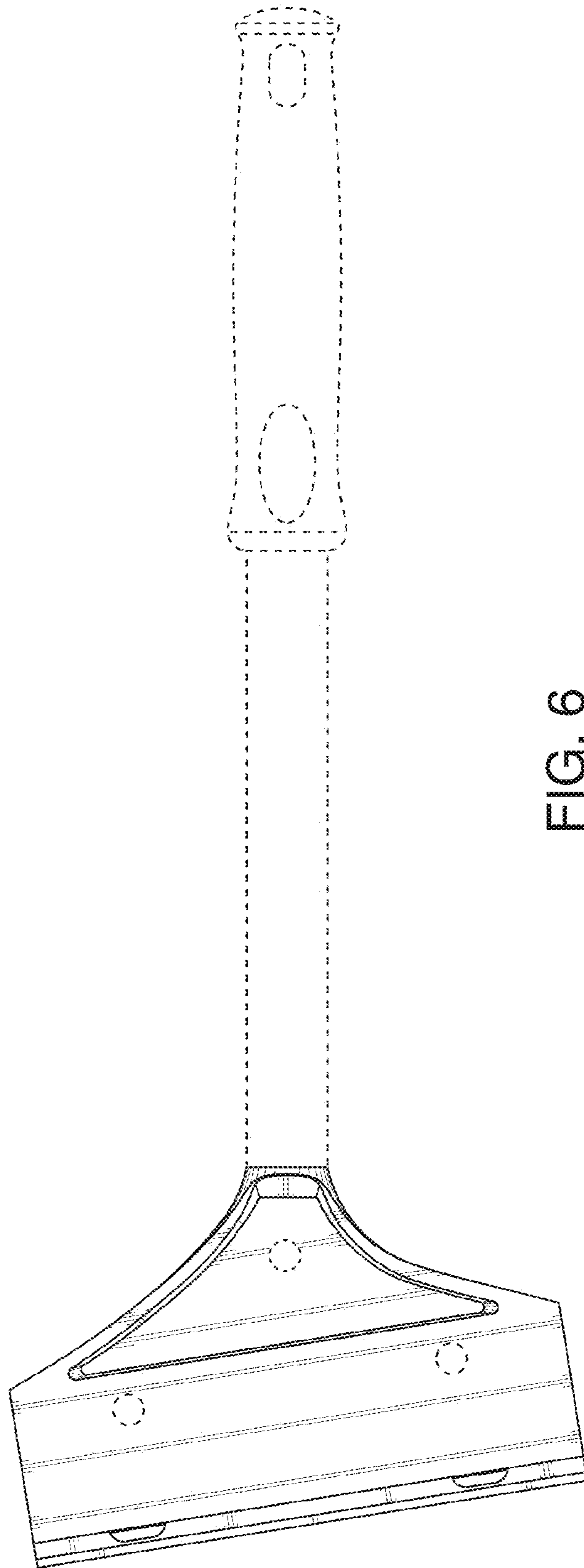


FIG. 6

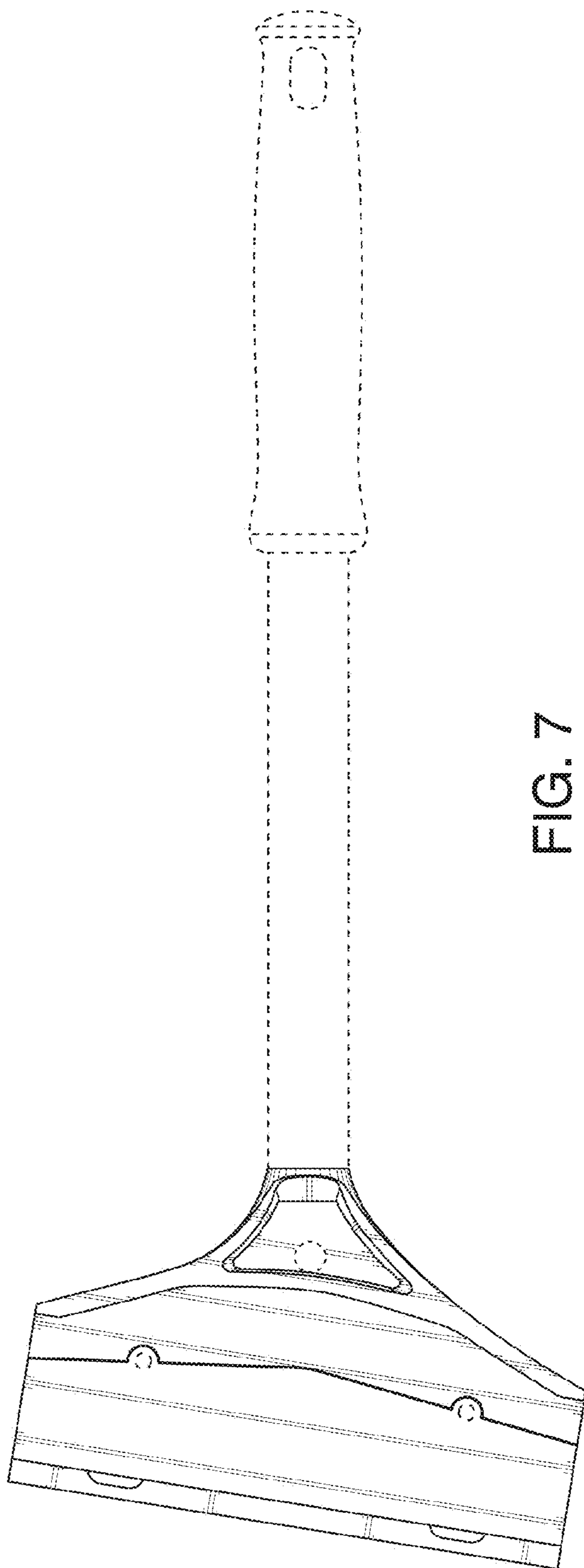


FIG. 7