



US00D753889S

(12) **United States Design Patent**  
**Jeon et al.**

(10) **Patent No.:** **US D753,889 S**  
(45) **Date of Patent:** **\*\* Apr. 12, 2016**

(54) **WASHING MACHINE**

(56) **References Cited**

(71) Applicant: **Samsung Electronics Co., Ltd.**,  
Suwon-si (KR)  
(72) Inventors: **Jong Su Jeon**, Seongnam-si (KR); **Ha Young Jang**, Seoul (KR); **Jaewon Choi**,  
Seoul (KR)

U.S. PATENT DOCUMENTS

D232,187 S *	7/1974	McCollum	.....	D32/25
D412,378 S *	7/1999	Richardson	.....	D32/25
D489,500 S *	5/2004	Sneddon	.....	D32/25
D620,213 S *	7/2010	Bixby	.....	D32/25
D629,169 S *	12/2010	Bixby	.....	D32/25
D728,876 S *	5/2015	Scarpellini	.....	D32/25

(73) Assignee: **Samsung Electronics Co., Ltd.**,  
Suwon-si (KR)

\* cited by examiner

*Primary Examiner* — T. Chase Nelson  
*Assistant Examiner* — Michelle E Wilson  
(74) *Attorney, Agent, or Firm* — NSIP Law

(\*\*) Term: **14 Years**

(57) **CLAIM**

(21) Appl. No.: **29/494,996**

We claim the ornamental design for a washing machine, as shown and described.

(22) Filed: **Jun. 26, 2014**

**DESCRIPTION**

(30) **Foreign Application Priority Data**

Jan. 3, 2014 (KR) ..... 30-2014-0000535

(51) **LOC (10) Cl.** ..... **15-05**

(52) **U.S. Cl.**  
USPC ..... **D32/25**

(58) **Field of Classification Search**  
USPC ..... D32/1, 25, 29, 5-6, 8  
CPC ... D06F 33/02; D06F 39/02; D06F 2204/065;  
D06F 25/00; D06F 35/006

FIG. 1 is a front perspective view of a washing machine showing our new design;  
FIG. 2 is a front view thereof;  
FIG. 3 is a rear view thereof;  
FIG. 4 is a left-side view thereof;  
FIG. 5 is a right-side view thereof;  
FIG. 6 is a top view thereof; and,  
FIG. 7 is a bottom view thereof.  
The broken lines in the figures show portions of the washing machine which form no part of the claimed design.

See application file for complete search history.

**1 Claim, 7 Drawing Sheets**

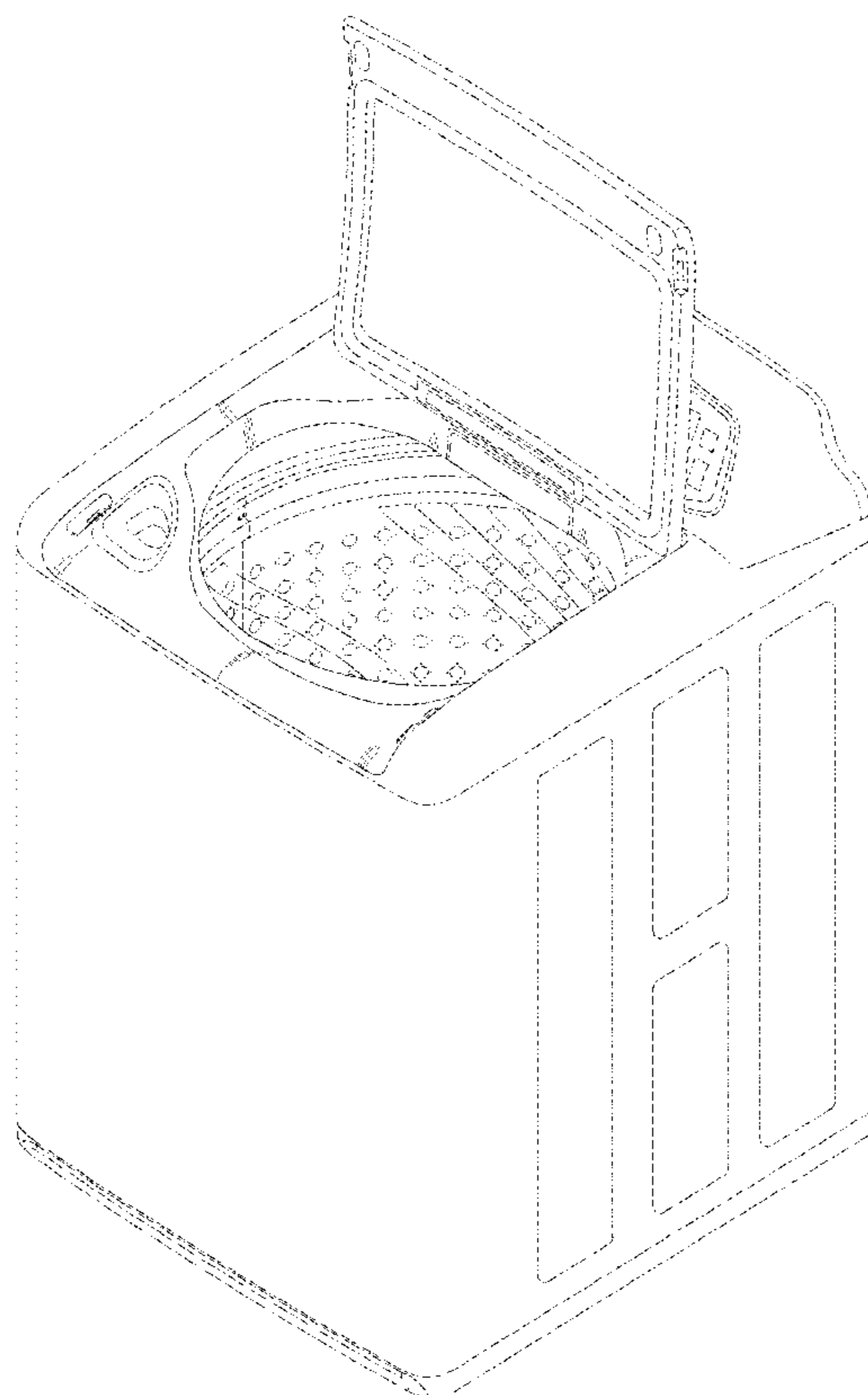


Fig. 1

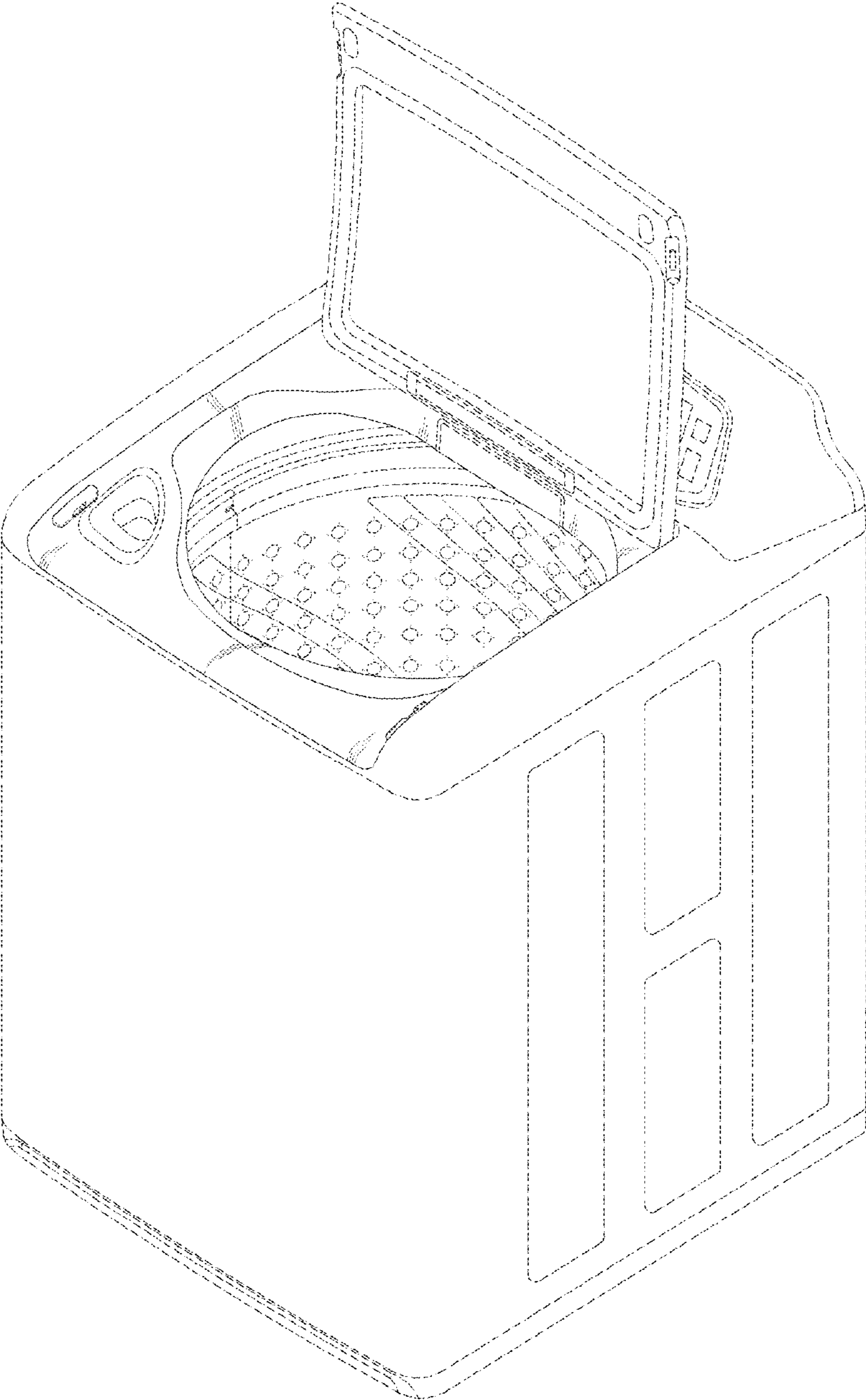


Fig. 2

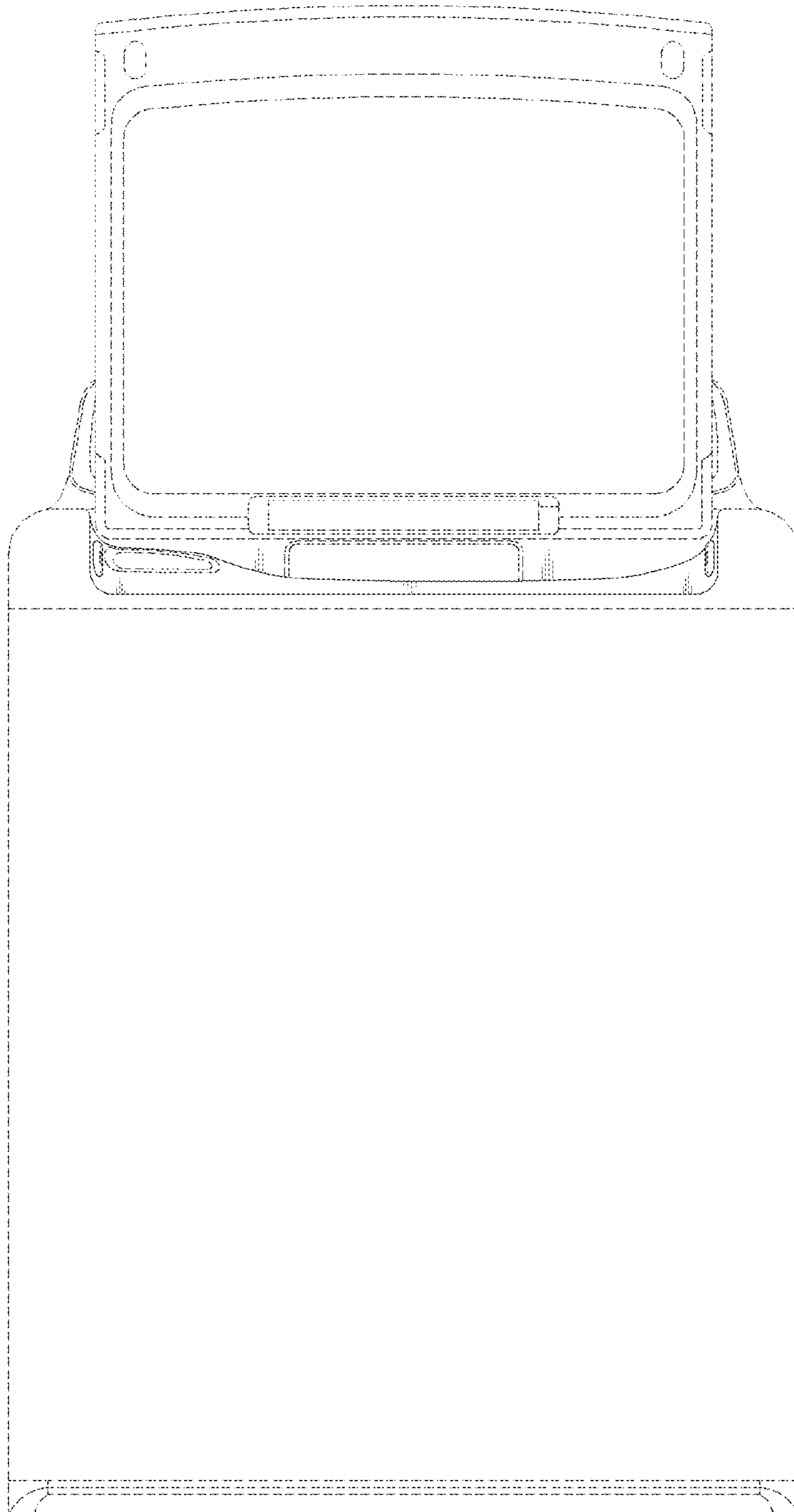


Fig. 3

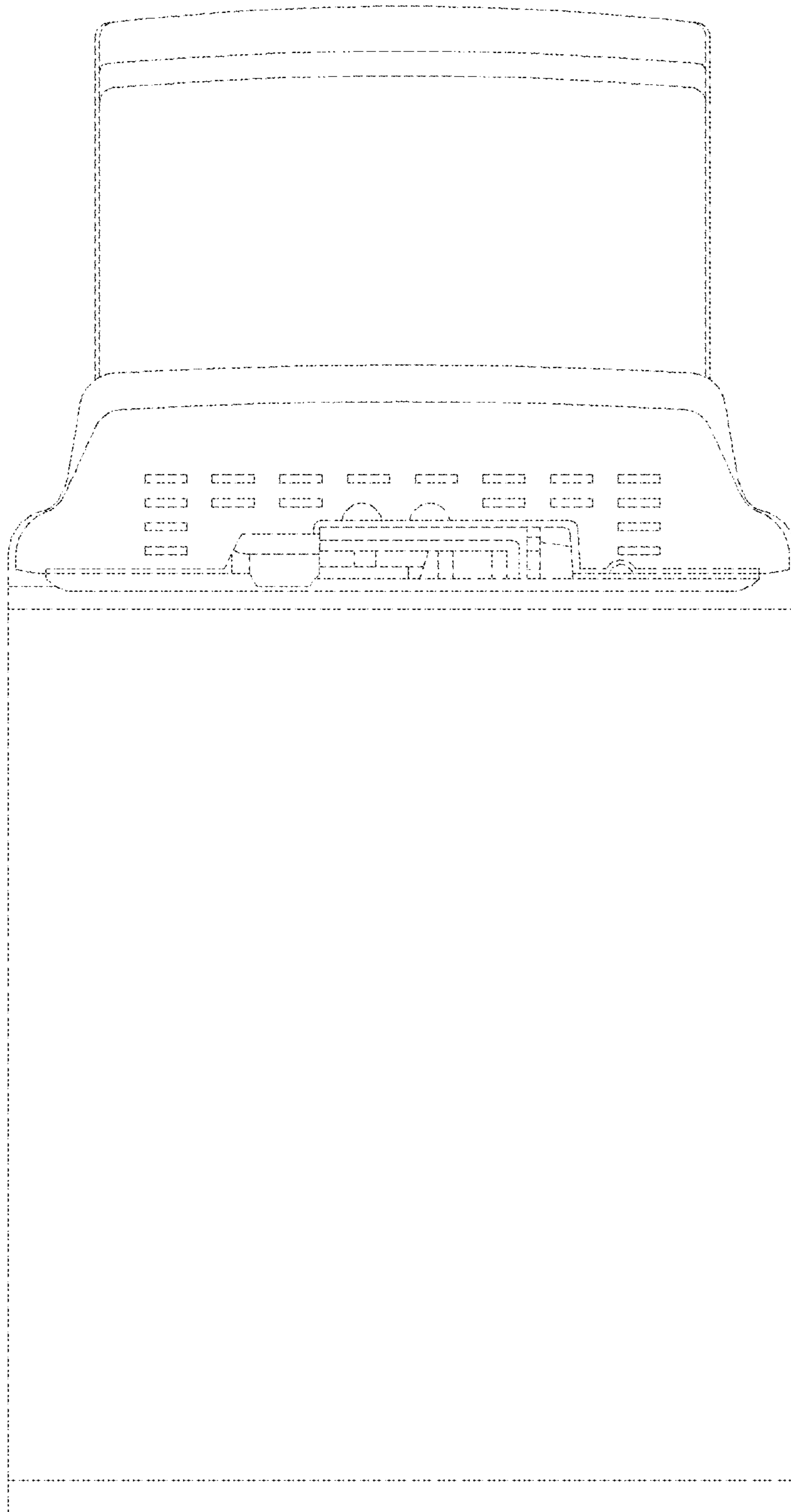


Fig. 4

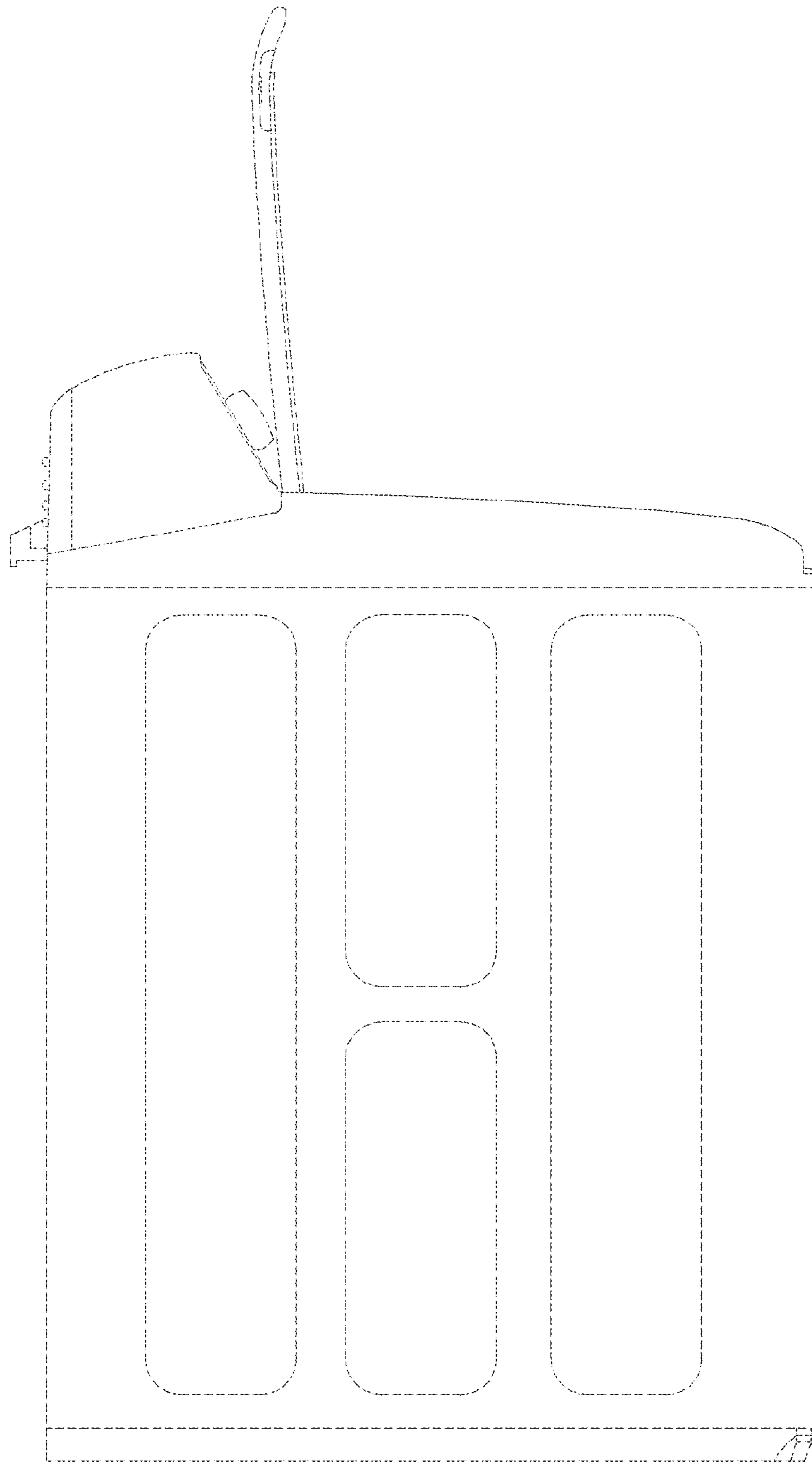


Fig. 5

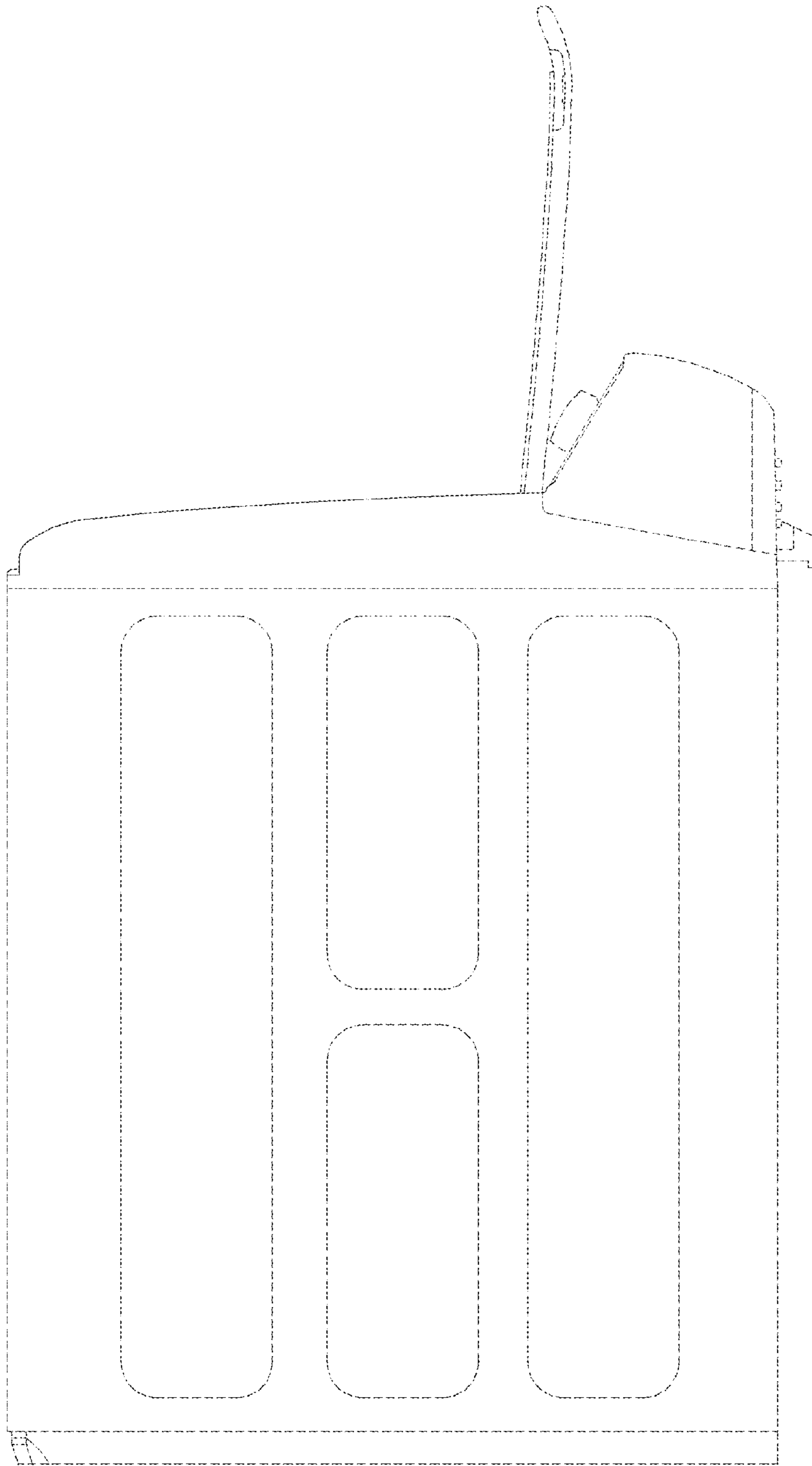


Fig. 6

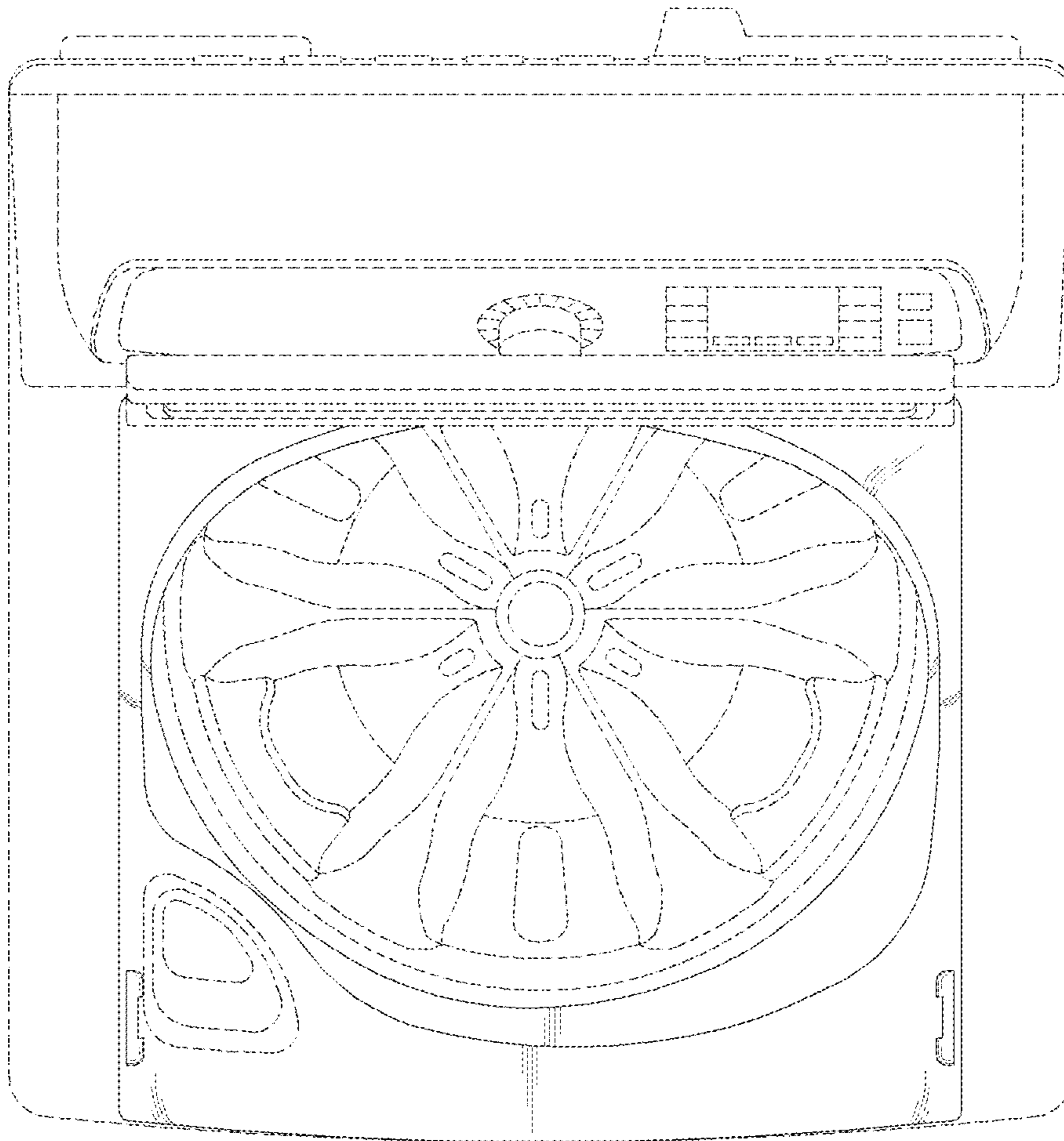


Fig. 7

