



US00D753886S

(12) **United States Design Patent**
Veness

(10) **Patent No.:** **US D753,886 S**

(45) **Date of Patent:** **** Apr. 12, 2016**

(54) **LITTER BOX**

(71) Applicant: **Doskocil Manufacturing Company, Inc.**, Arlington, TX (US)

(72) Inventor: **David Veness**, Fort Worth, TX (US)

(73) Assignee: **DOSKOCIL MANUFACTURING COMPANY, INC.**, Arlington, TX (US)

(**) Term: **14 Years**

(21) Appl. No.: **29/481,454**

(22) Filed: **Feb. 6, 2014**

(51) **LOC (10) Cl.** **30-99**

(52) **U.S. Cl.**
USPC **D30/161**

(58) **Field of Classification Search**
USPC D30/161; 119/161, 163, 165-170
See application file for complete search history.

(56) **References Cited**

U.S. PATENT DOCUMENTS

D215,306 S *	9/1969	Hoff	D30/117
D298,371 S *	11/1988	Reynolds	D30/161
D308,589 S *	6/1990	Shay	D30/161
D370,317 S *	5/1996	Kohus	D30/161
D373,663 S *	9/1996	Walter	D30/161
5,662,066 A *	9/1997	Reitz	119/163
D433,544 S *	11/2000	Nesbit-Yontz	D30/161
D463,887 S *	10/2002	Walter et al.	D30/161
D467,041 S *	12/2002	Cortes-Reuter	D30/109

D496,501 S *	9/2004	Walter et al.	D30/161
7,017,519 B1 *	3/2006	Deasy et al.	119/166
2010/0307424 A1 *	12/2010	Evans	119/165

* cited by examiner

Primary Examiner — Cathy Anne MacCormac

(74) *Attorney, Agent, or Firm* — Global IP Counselors, LLP

(57) **CLAIM**

The ornamental design for a litter box, as shown and described.

DESCRIPTION

FIG. 1 is an top, front and left side perspective view of the litter box;

FIG. 2 is a bottom, front and right side perspective view thereof;

FIG. 3 is a front elevational view thereof;

FIG. 4 is a left side elevational view thereof;

FIG. 5 is a right side elevational view thereof;

FIG. 6 is a rear elevational view thereof;

FIG. 7 is a top plan view thereof;

FIG. 8 is an enlarged partial view of portion 8 circled on FIG. 2;

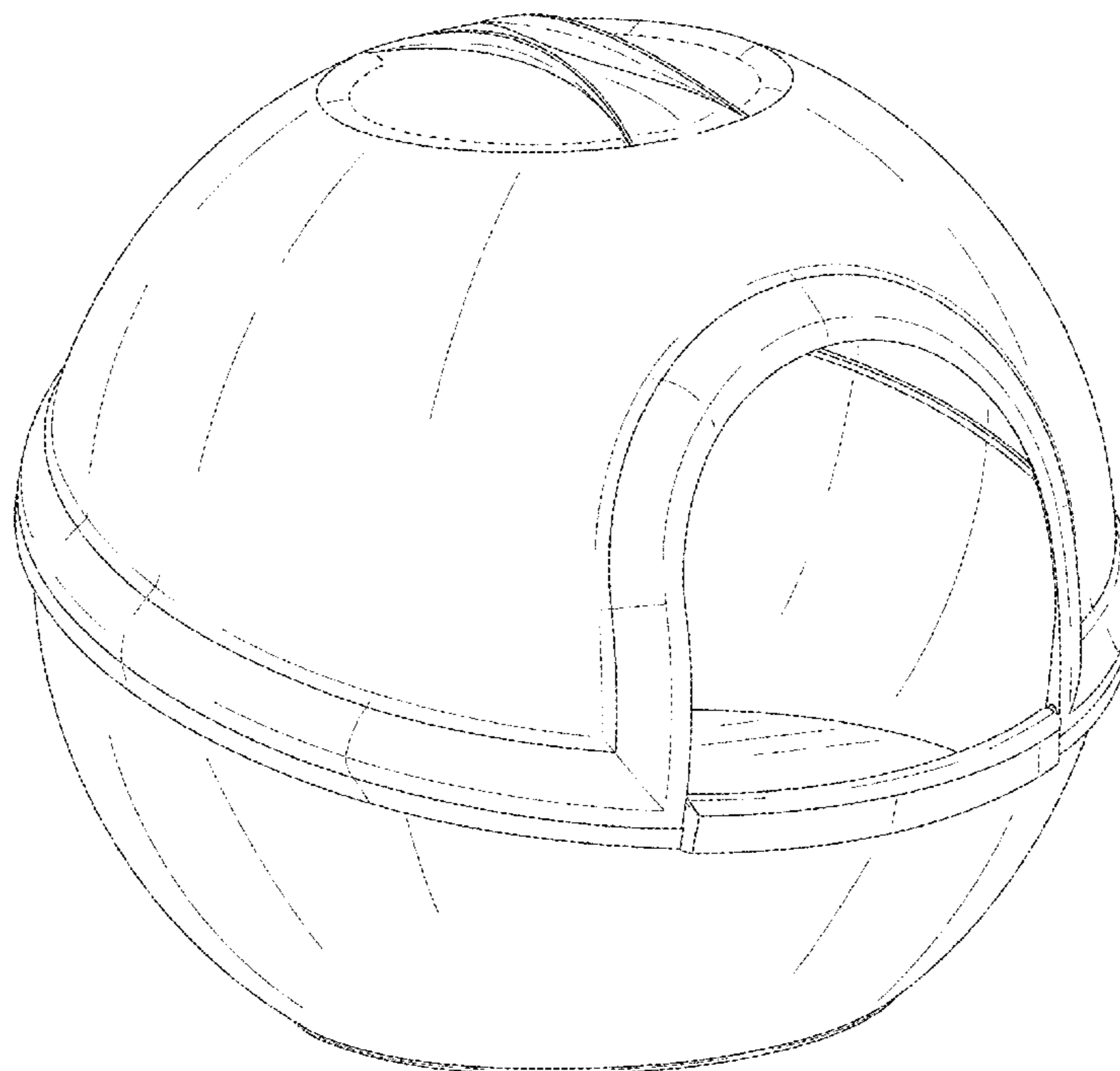
FIG. 9 is an enlarged partial view of portion 9 circled on FIG. 2;

FIG. 10 is an enlarged partial view of portion 10 circled on FIG. 6; and,

FIG. 11 is an enlarged partial view of portion 11 circled on FIG. 6.

The broken lines depict environmental subject matter, are for illustration only, and form no part of the claimed design.

1 Claim, 9 Drawing Sheets



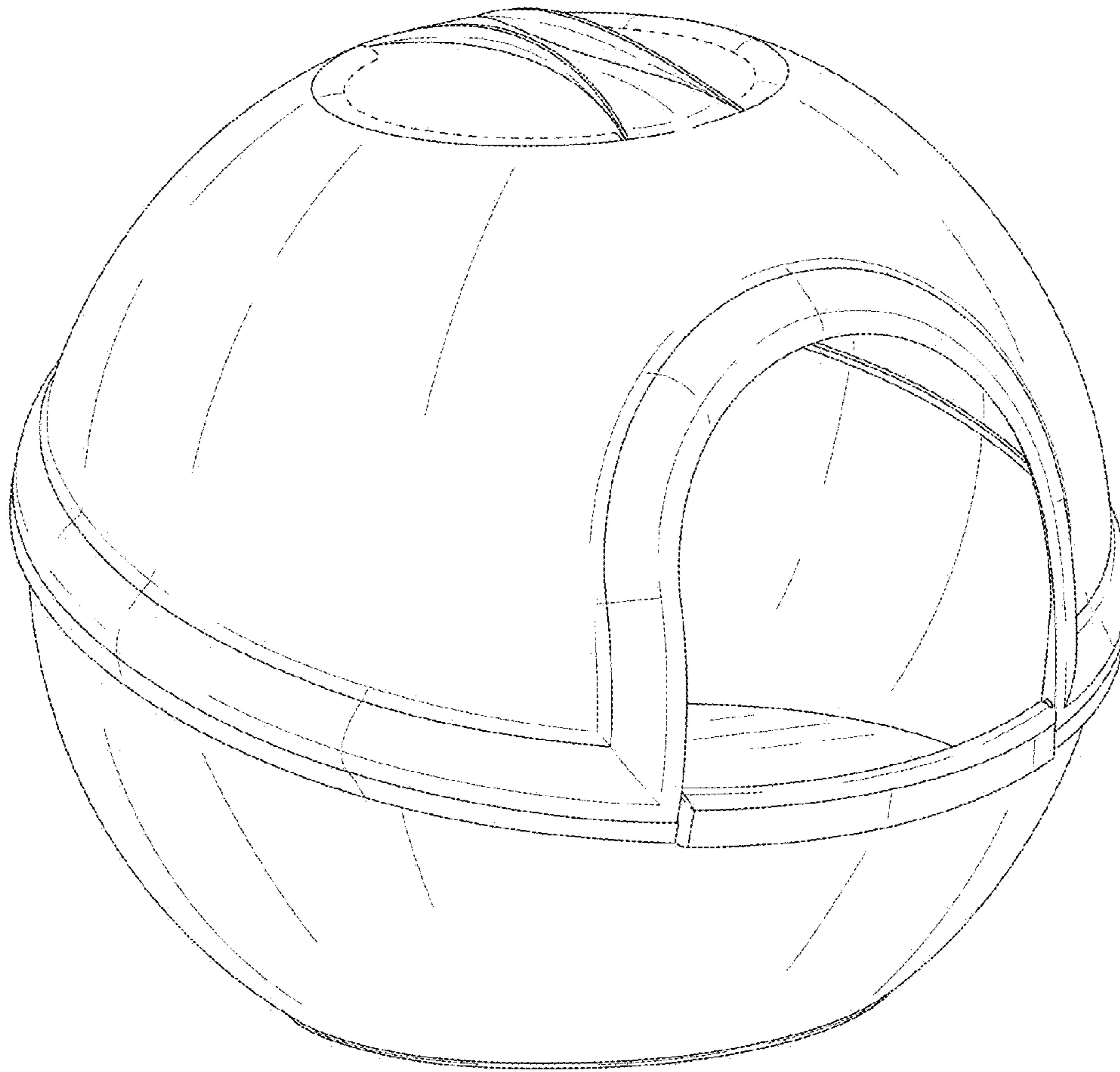


FIG. 1

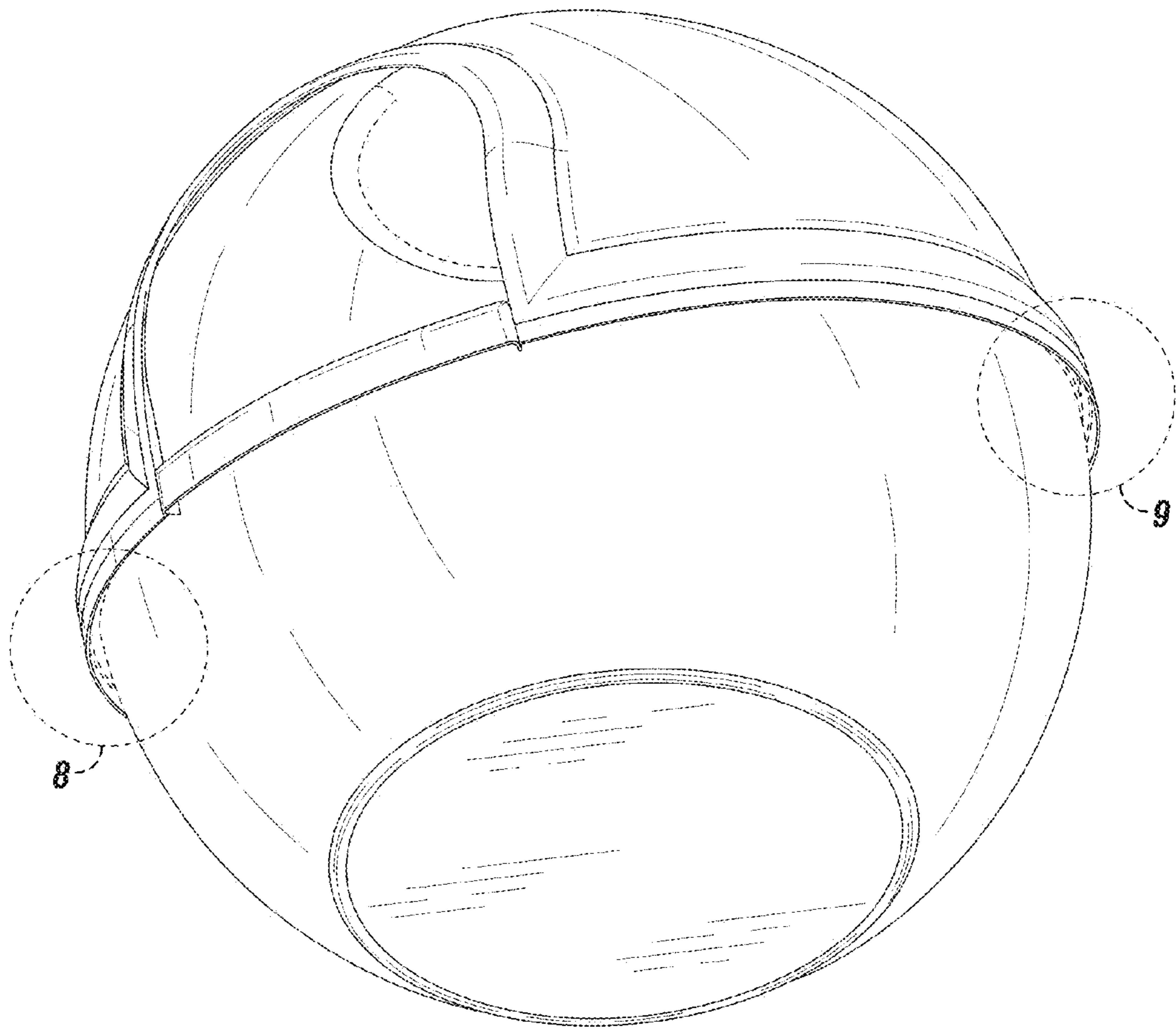


FIG. 2

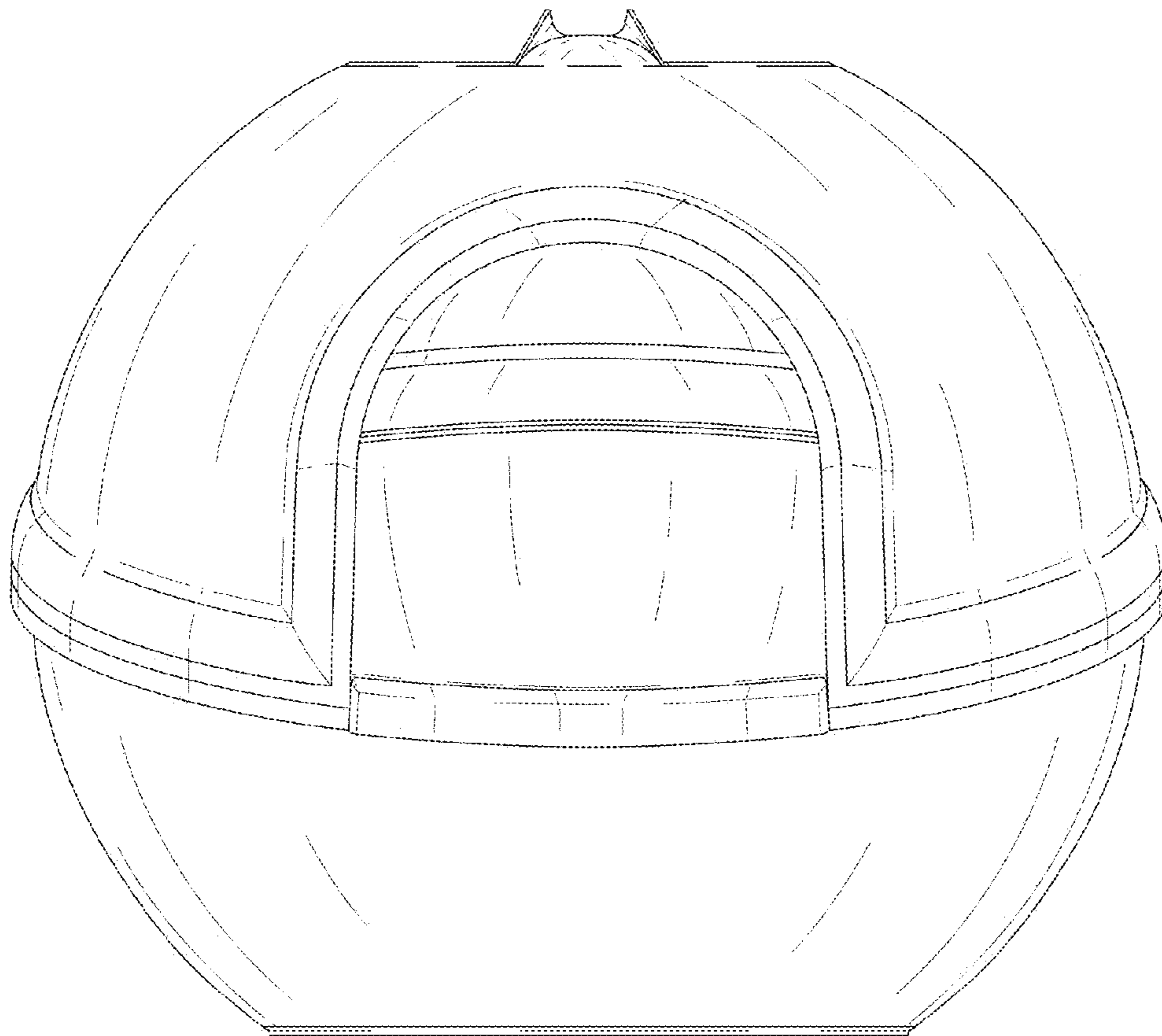


FIG. 3

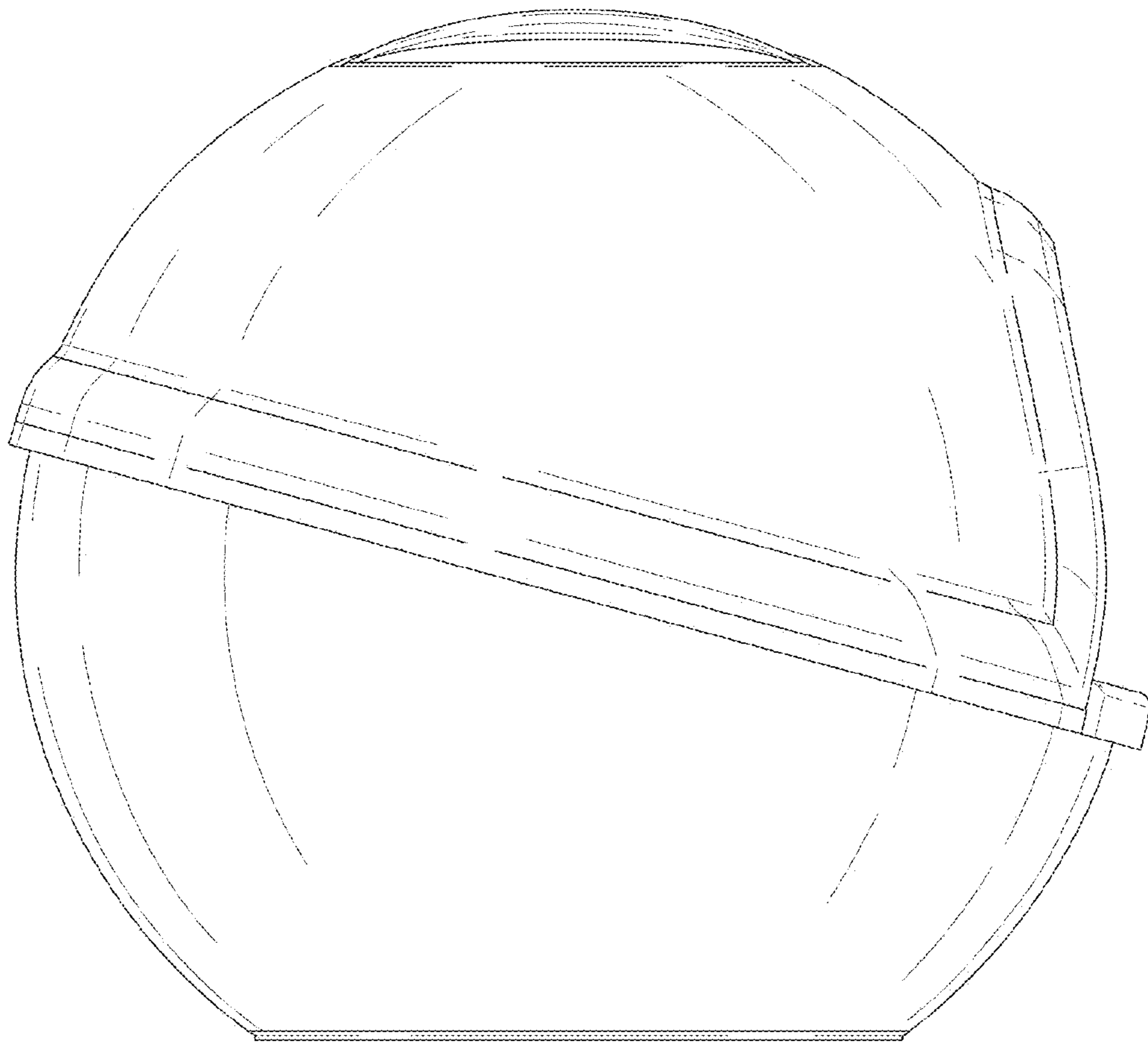


FIG. 4

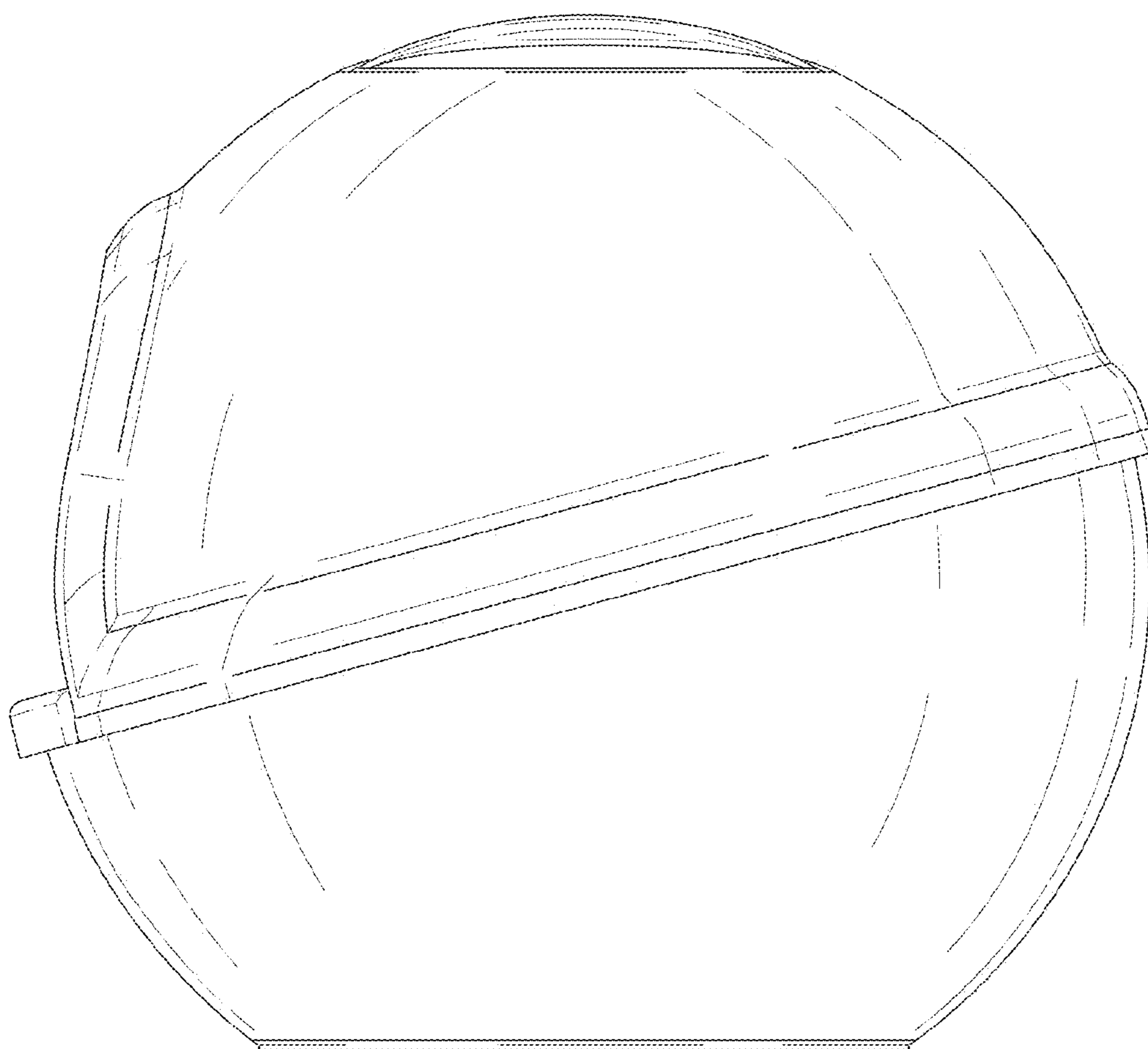


FIG. 5

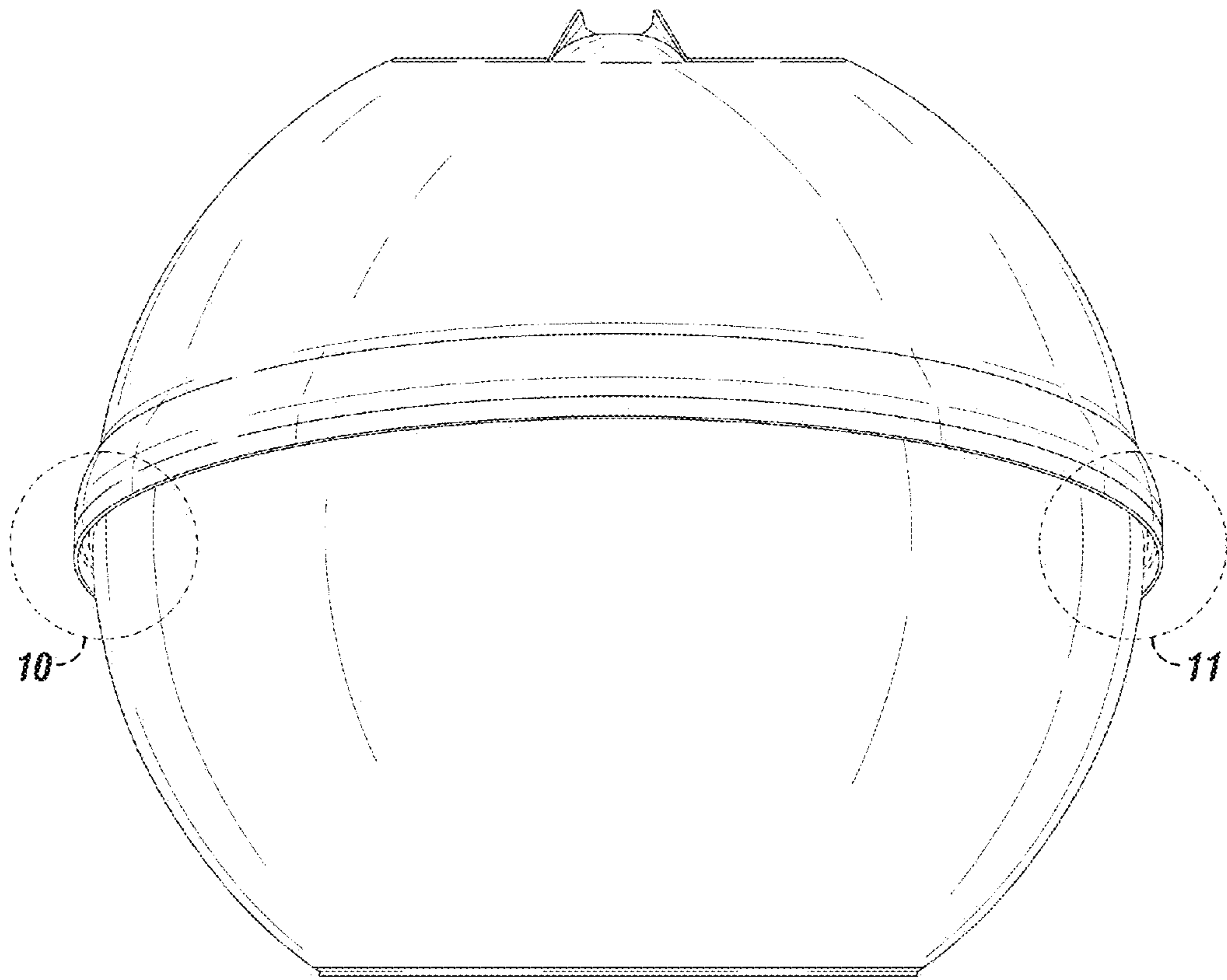


FIG. 6

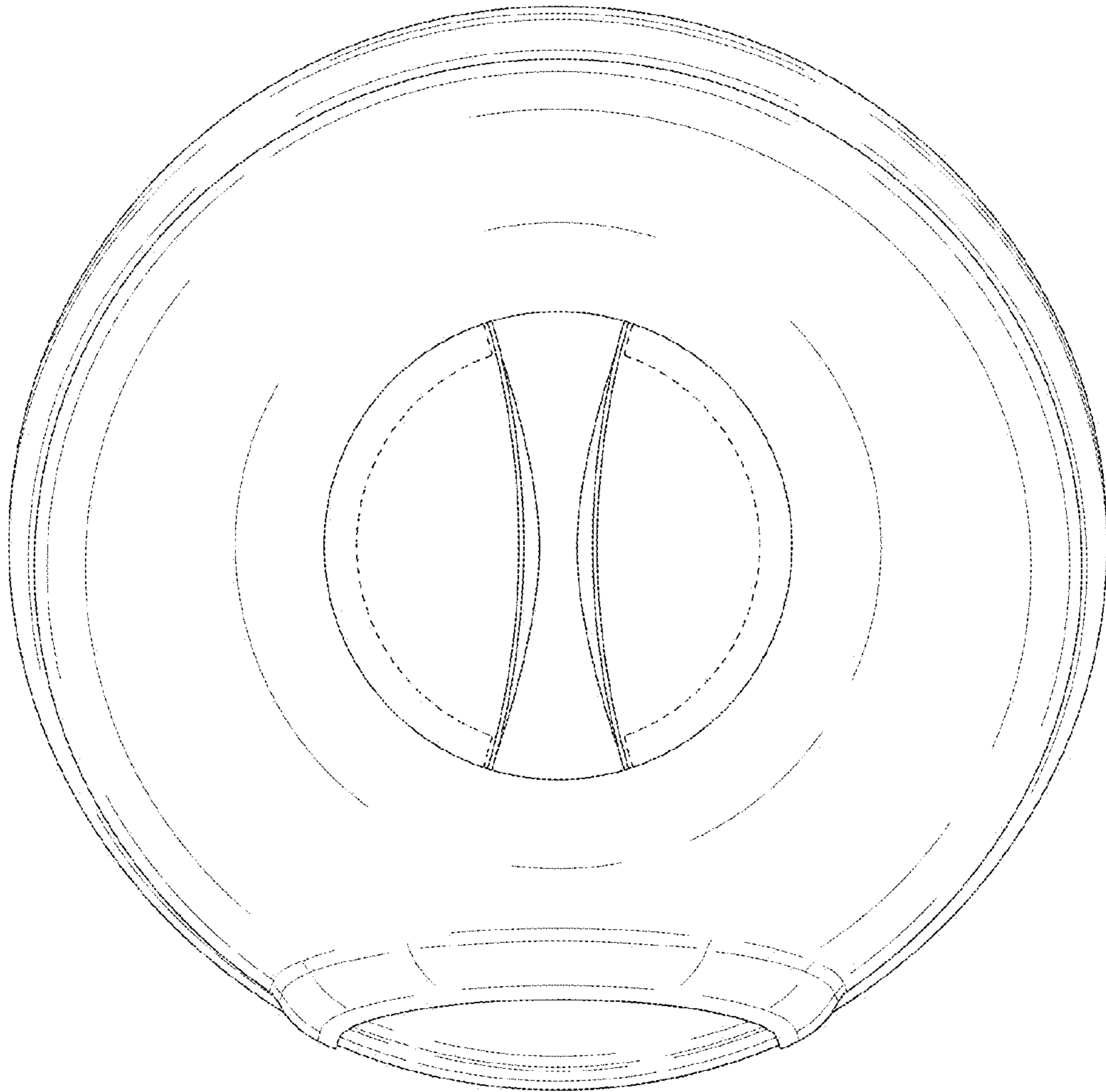


FIG. 7

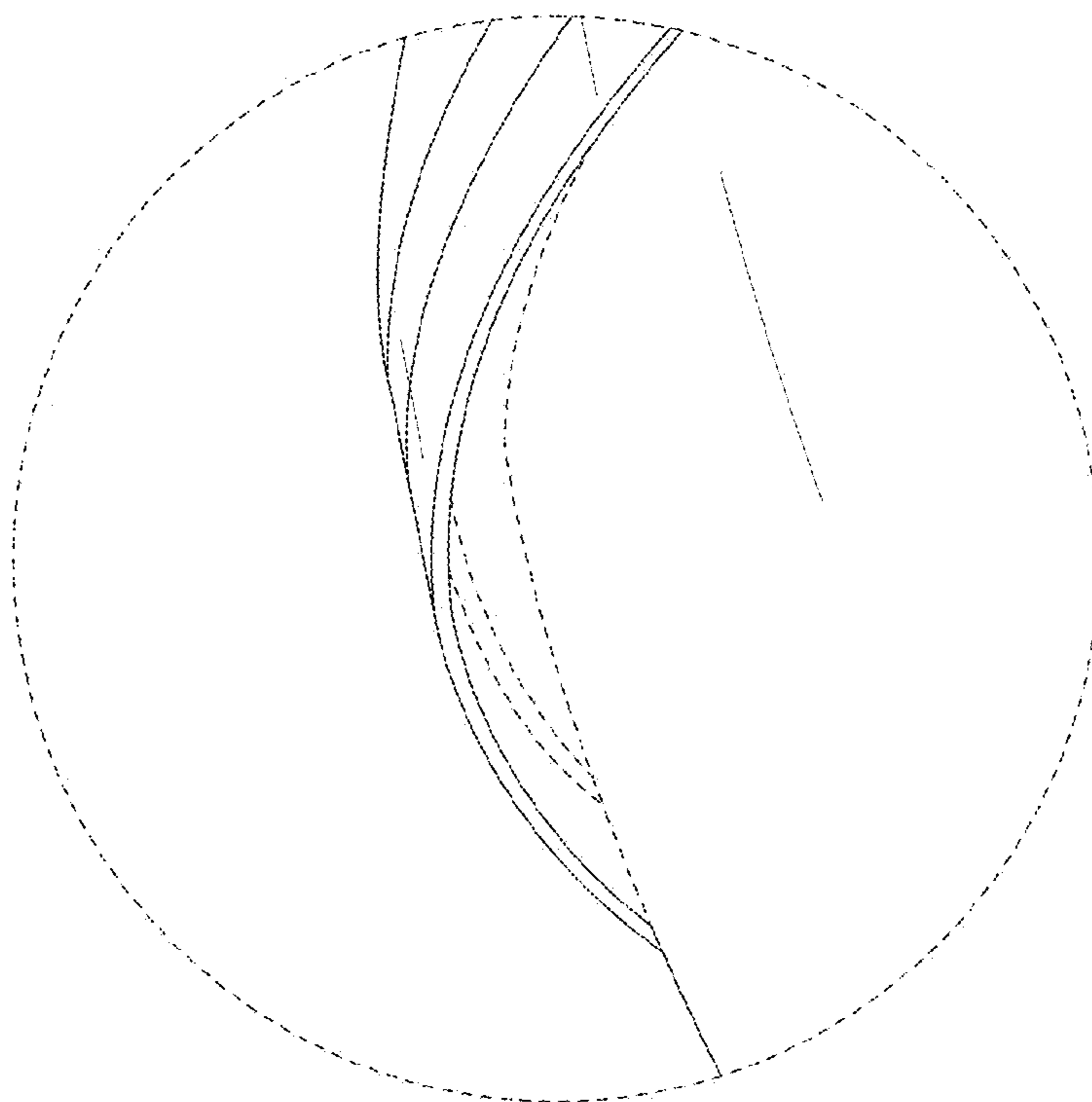


FIG. 8

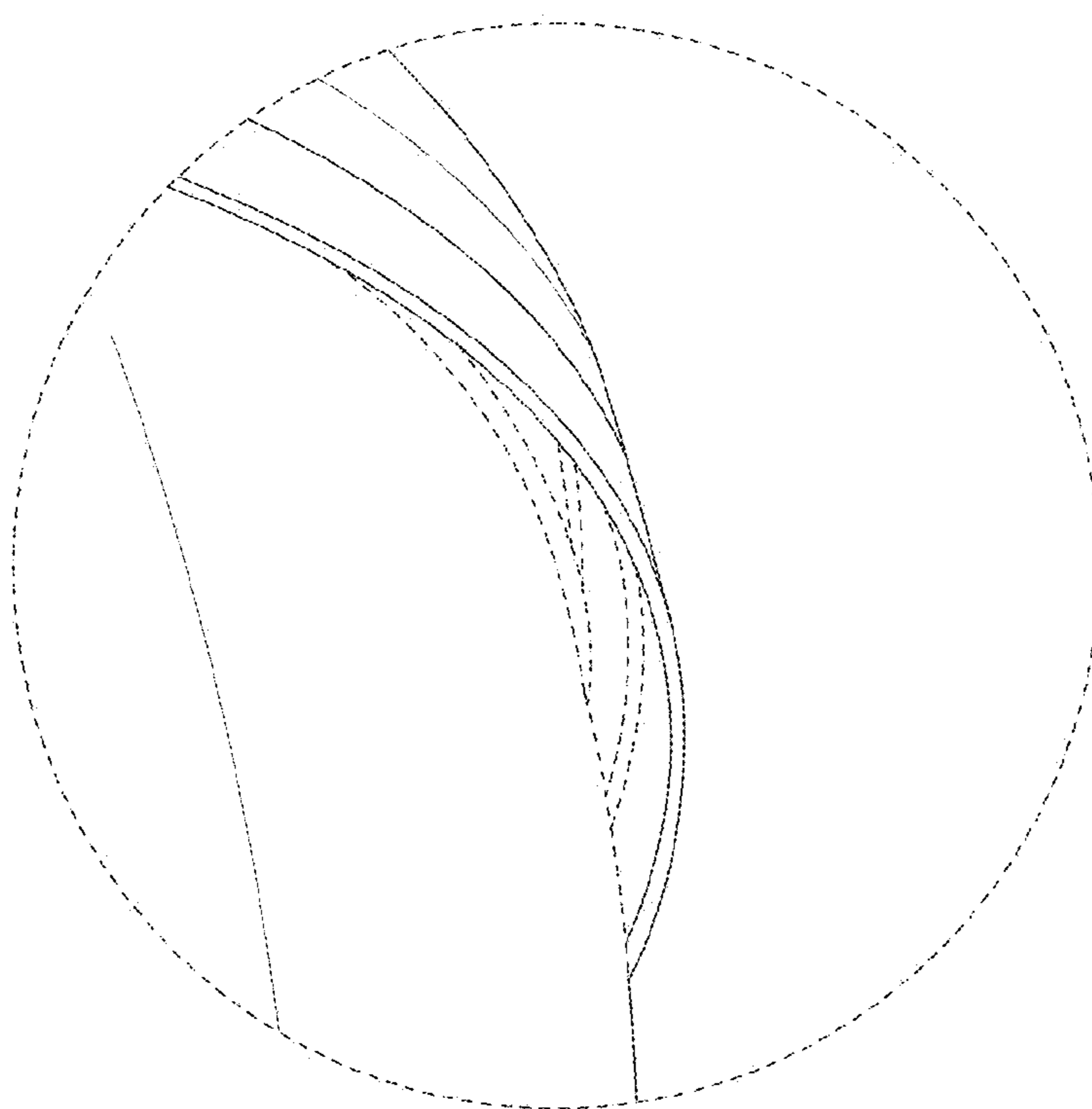


FIG. 9

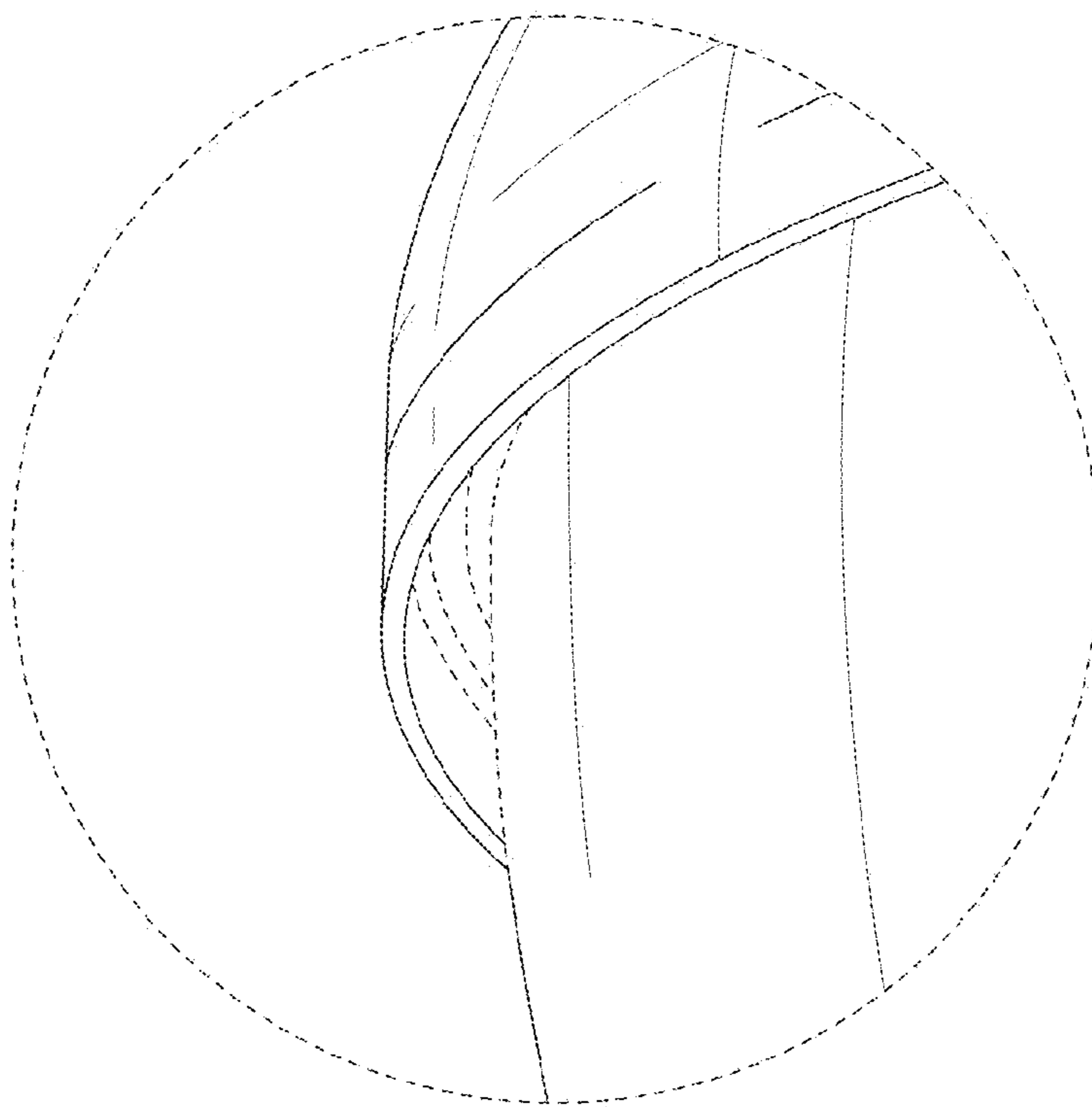


FIG. 10

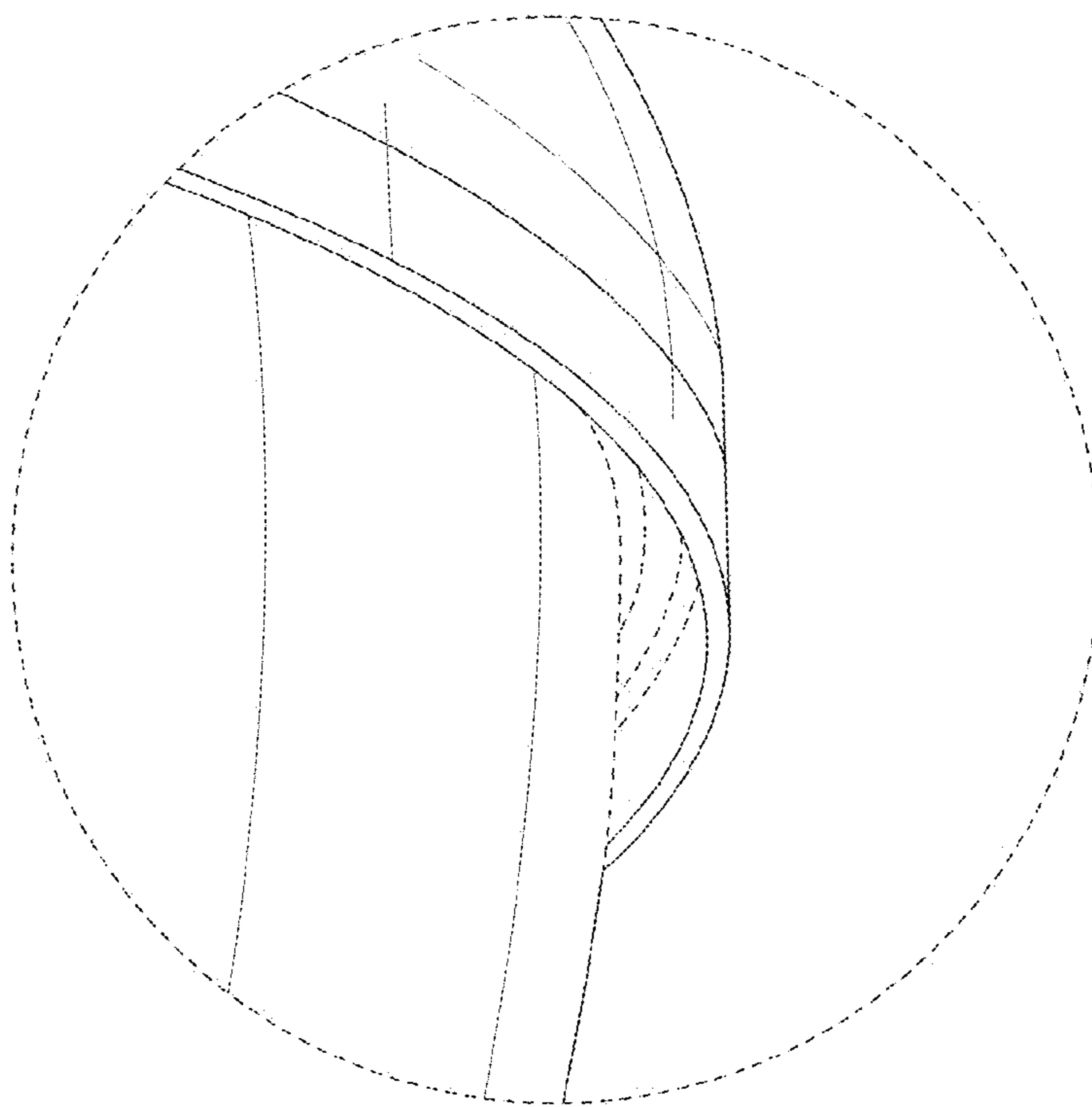


FIG. 11