



US00D753884S

(12) **United States Design Patent**
Bonney et al.

(10) **Patent No.:** **US D753,884 S**
(45) **Date of Patent:** **** Apr. 12, 2016**

(54) **HEARING PROTECTOR**

(71) Applicant: **3M INNOVATIVE PROPERTIES COMPANY**, St. Paul, MN (US)
(72) Inventors: **Brenda M. Bonney**, Woodbury, MN (US); **Scott T. Cheek**, Indianapolis, IN (US); **Nicolas A. Echeverri**, Woodbury, MN (US); **Douglas D. Fletcher**, Woodbury, MN (US); **Oscar M. Hemberg**, Dolarö (SE)

(73) Assignee: **3M INNOVATIVE PROPERTIES COMPANY**, St. Paul, MN (US)

(**) Term: **14 Years**

(21) Appl. No.: **29/471,083**

(22) Filed: **Oct. 28, 2013**

(51) **LOC (10) Cl.** **29-02**

(52) **U.S. Cl.**
USPC **D29/112**

(58) **Field of Classification Search**
USPC D29/100, 102, 105, 106, 108, 112, 122;
2/455, 410, 417, 423, 424, 425, 9, 171,
2/208, 209, 918; D14/205, 223, 249;
181/129, 130, 135; 379/430, 431;
381/380, 381; 455/90.3, 575.1
CPC A42B 3/16; A42B 3/163; A42B 3/166;
A61F 11/06; A61F 11/08; A61F 11/10;
A61F 11/12; A61F 11/14; A61F 2011/085;
H04R 1/10; H04R 1/1008; H04R 1/1016;
H04R 1/105; H04R 1/1058; H04R 1/1066;
H04R 1/1075; H04R 1/1083; H04R 5/0335;
H04R 25/652; H04R 25/654; H04R 25/656;
A63B 71/10

See application file for complete search history.

(56) **References Cited**

U.S. PATENT DOCUMENTS

2,883,671 A * 4/1959 Hornickel A61F 11/14
128/866
2,981,958 A * 5/1961 Wadsworth A61F 11/14
2/209
3,051,961 A * 9/1962 Clark A61F 11/14
181/129

(Continued)

FOREIGN PATENT DOCUMENTS

JP D1479204 9/2013

OTHER PUBLICATIONS

Guns & Ammo, No. 1, vol. 40, Jan. 31, 1996, P5, JPO Reference No. HB08000493.

(Continued)

Primary Examiner — Elizabeth J Oswecki
(74) *Attorney, Agent, or Firm* — Irina Hass

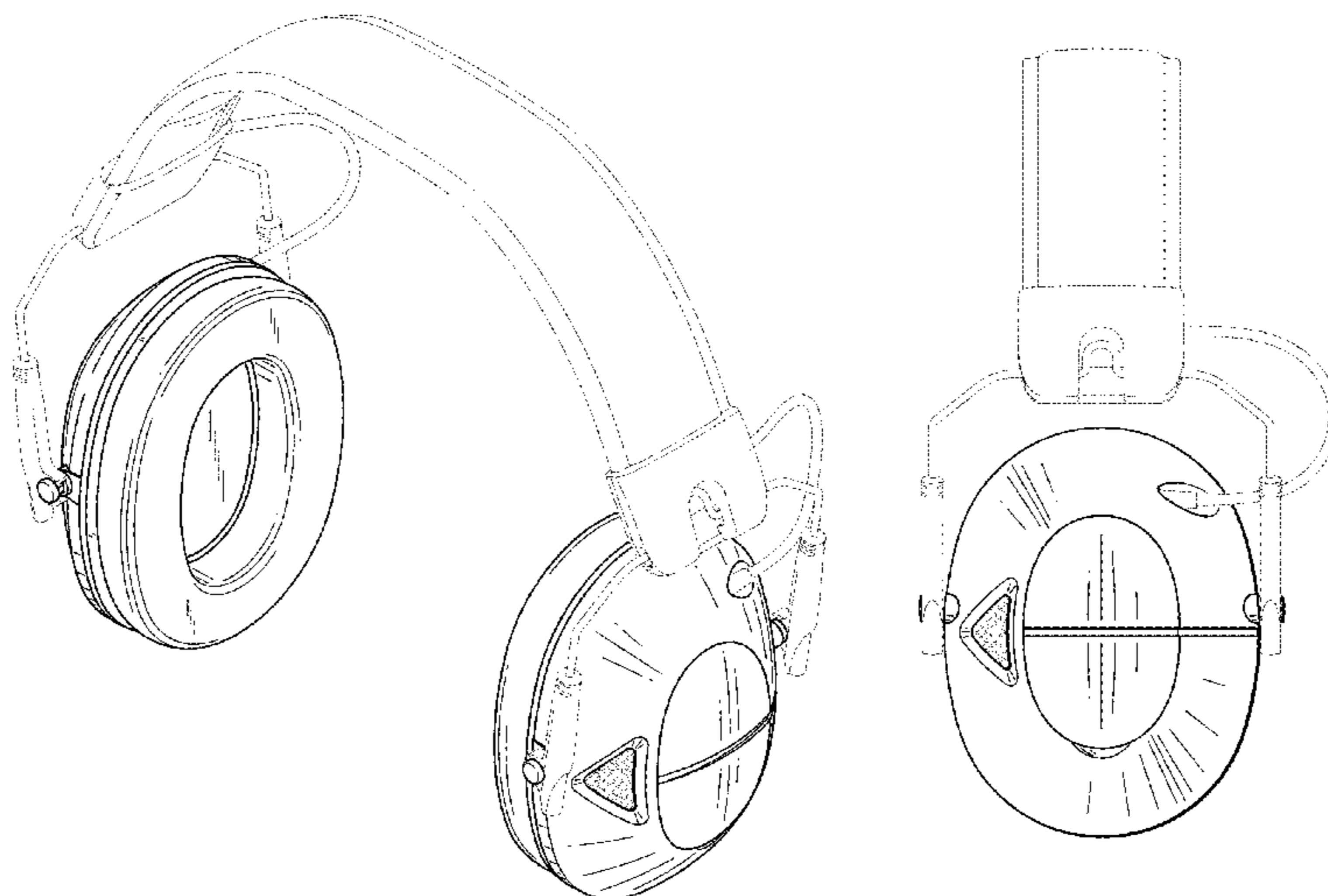
(57) **CLAIM**

The ornamental design for a hearing protector, as shown and described.

DESCRIPTION

FIG. 1 is a perspective view of a hearing protector showing our new design;
FIG. 2 is a right side view thereof;
FIG. 3 is a left side view thereof;
FIG. 4 is a front view thereof;
FIG. 5 is a top view thereof;
FIG. 6 is a bottom view thereof;
FIG. 7 is a rear view thereof; and,
FIG. 8 is another perspective view thereof shown in a folded position.
Portions of the drawings shown in broken lines do not form part of the claimed design.

1 Claim, 4 Drawing Sheets



(56)

References Cited

U.S. PATENT DOCUMENTS

3,085,253 A * 4/1963 Ulrich A61F 11/14
181/256
3,104,398 A * 9/1963 Georg A61F 11/14
2/209
3,681,540 A * 8/1972 Thomson H04R 5/0335
381/374
D298,670 S * 11/1988 Palmaer D14/205
D313,092 S * 12/1990 Nilsson D14/205
D375,584 S * 11/1996 Westerdal D29/112
D385,665 S * 10/1997 Westerdal D29/112
D403,126 S * 12/1998 Scanlon D29/112
D411,200 S * 6/1999 Almqvist D14/192
D434,191 S * 11/2000 Emilsson D29/112
D459,033 S 6/2002 Dix et al.

6,654,966 B2 * 12/2003 Rolla H04R 5/0335
2/209
D509,323 S * 9/2005 Emilsson D29/112
7,172,052 B2 * 2/2007 Lenhard-Backhaus 181/129
D541,483 S * 4/2007 Birgersson D29/112
D547,500 S * 7/2007 Karrman D29/112
D616,865 S * 6/2010 Marchand D14/205
D651,764 S * 1/2012 Gresko D29/112
D701,193 S * 3/2014 Kelly D14/205

OTHER PUBLICATIONS

Master Catalog Fall 1998, P521, JPO Reference No. HD10027484.
Derpartner, Jan. 17, 1995, P24, JPO Reference No. HD07000398.
Wal-Mart Stores, Inc., Jun. 2, 2008, Homepage, JPO Reference No.
HJ20009208.
Sennheiser Electronic GmbH & Co. KG, Feb. 28, 2011, Homepage,
JPO Reference No. HJ22075248.

* cited by examiner

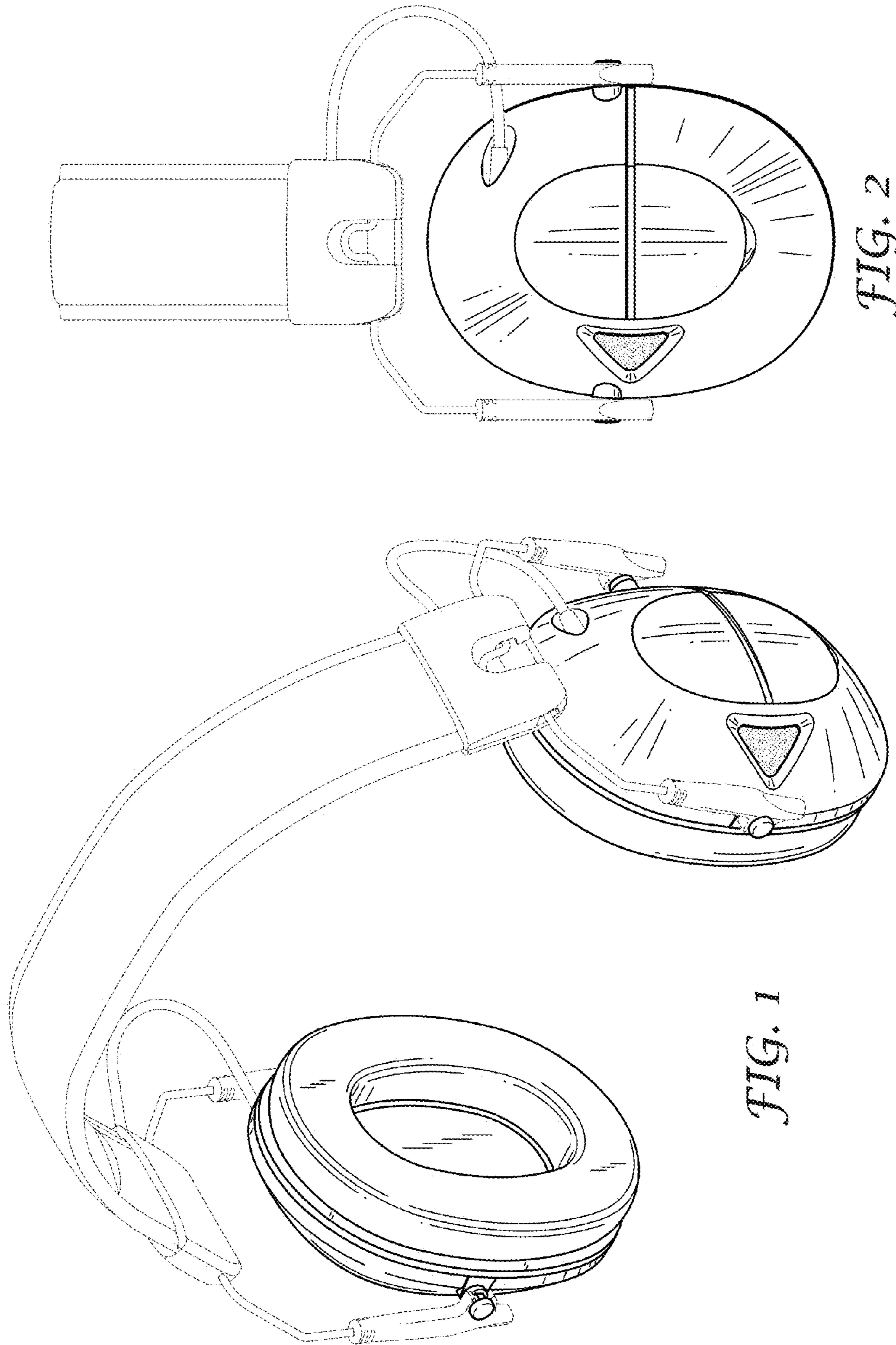


FIG. 2

FIG. 1

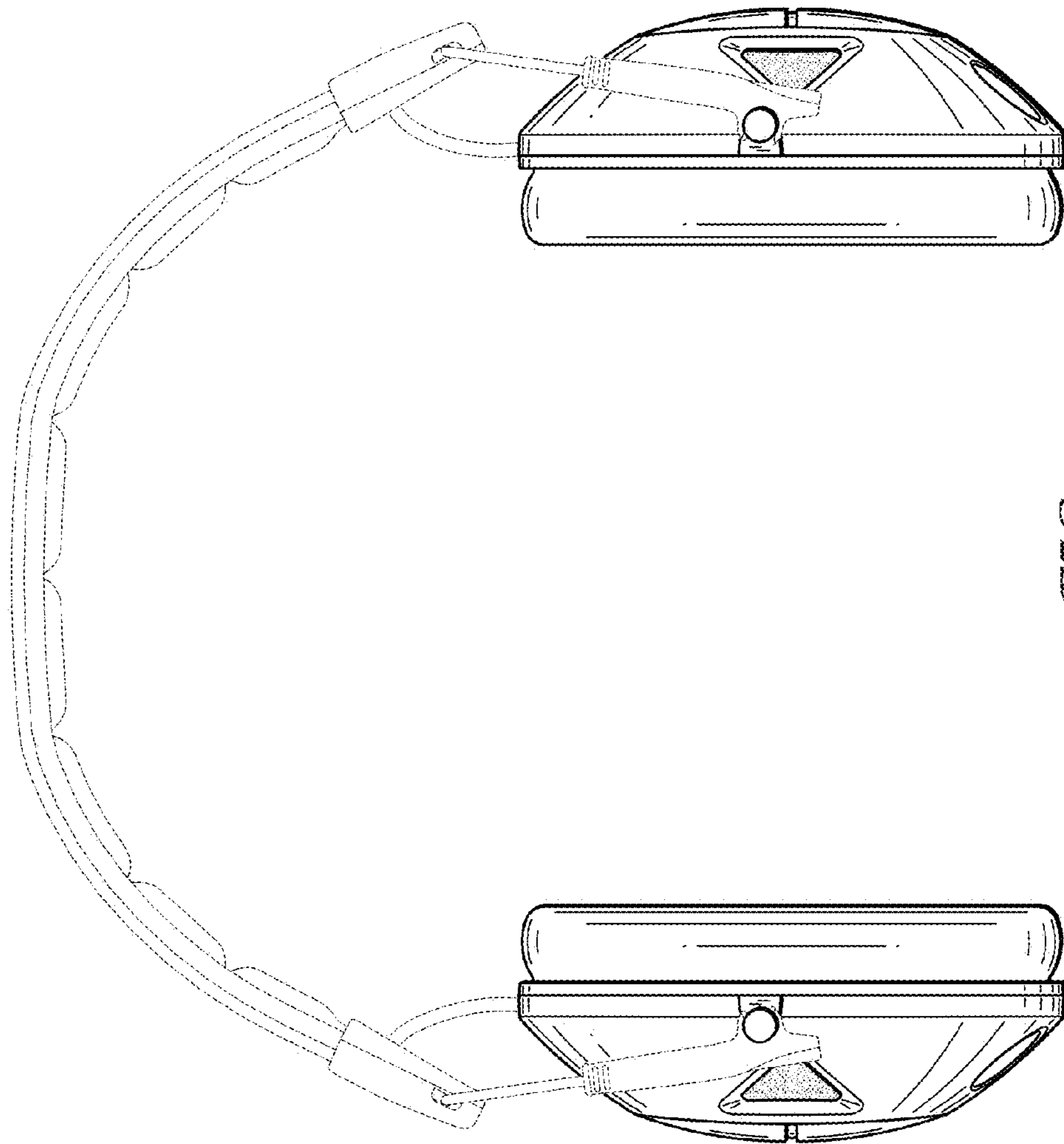


FIG. 4

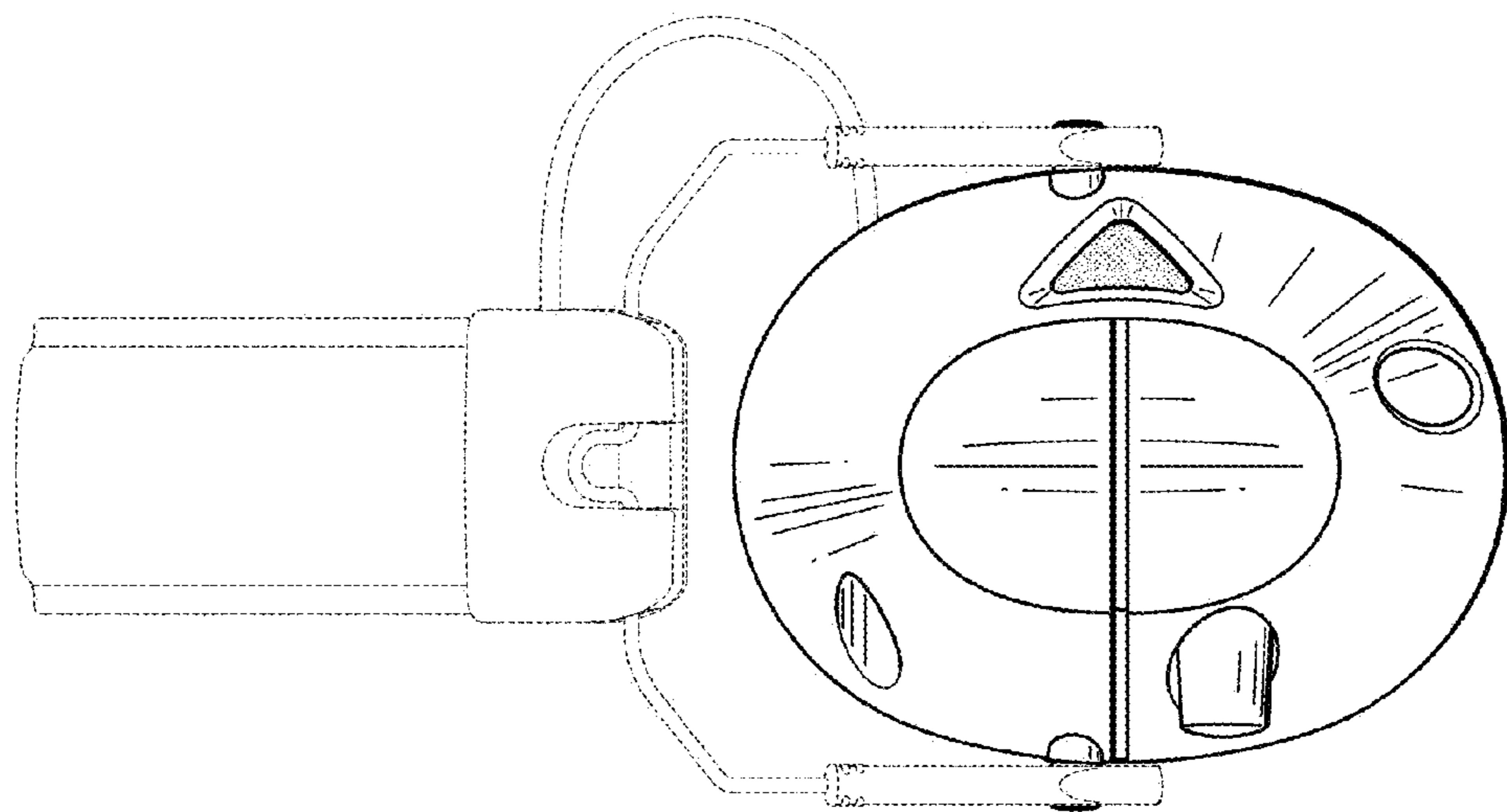


FIG. 3

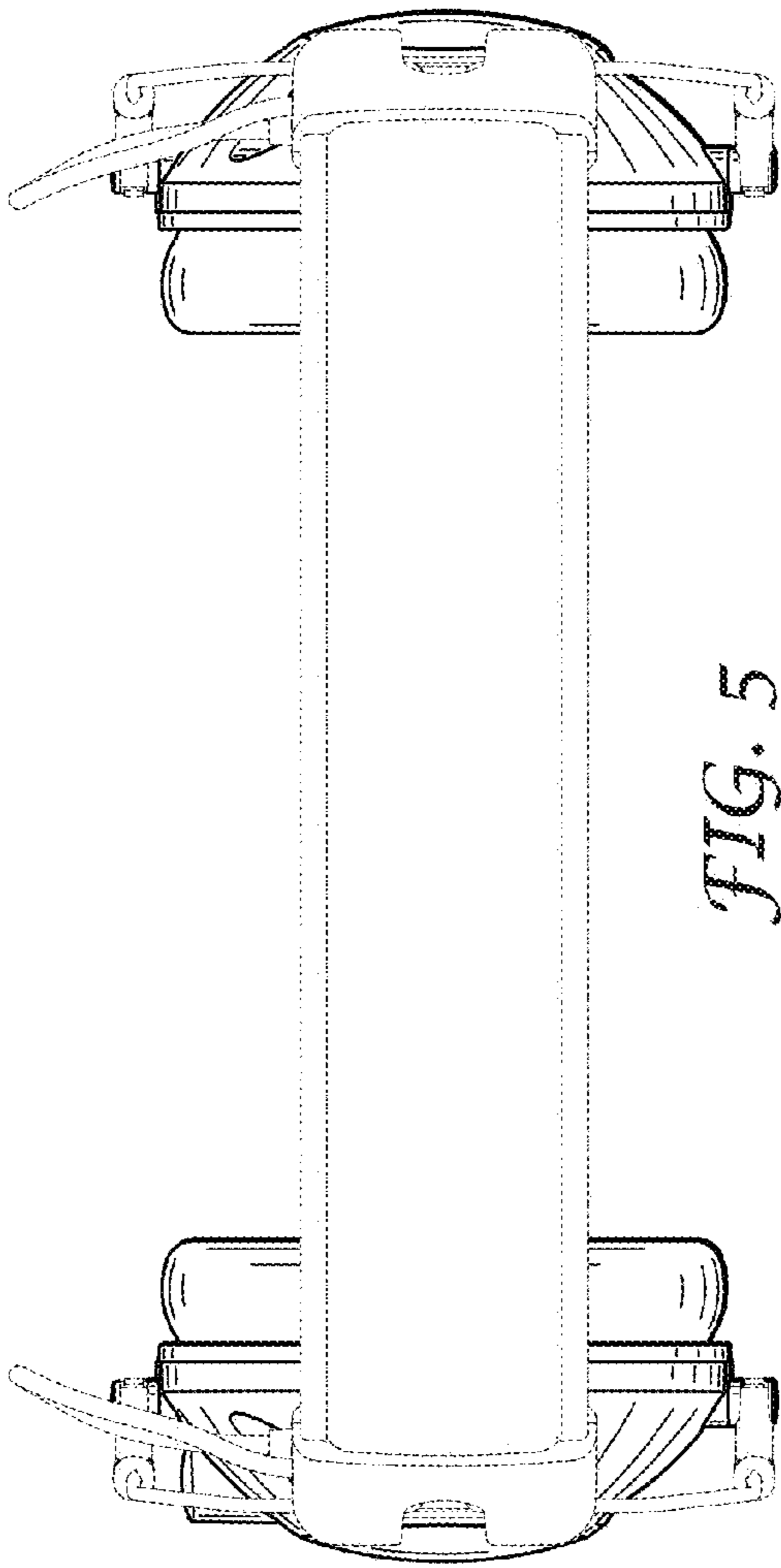


FIG. 5

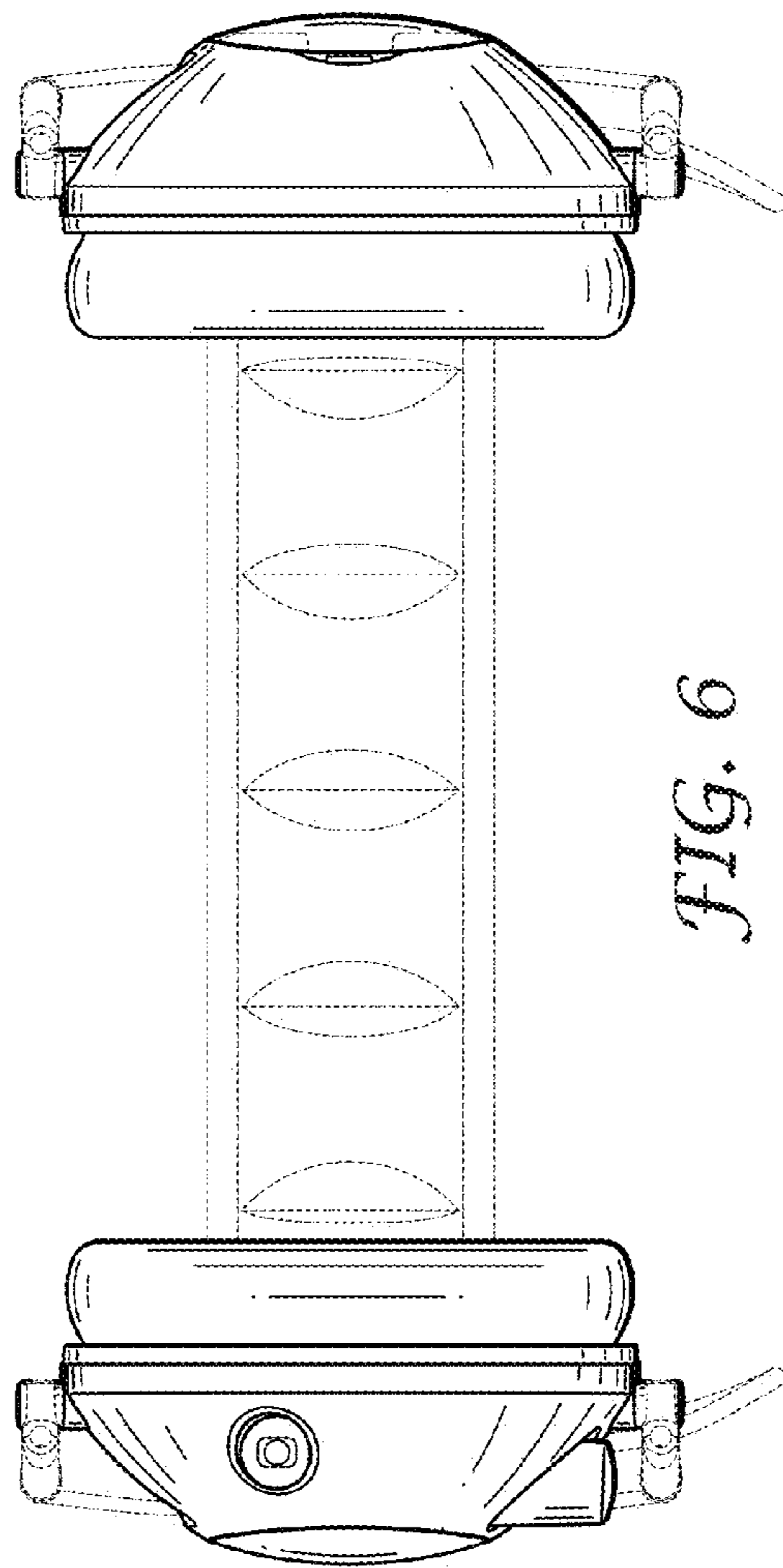


FIG. 6

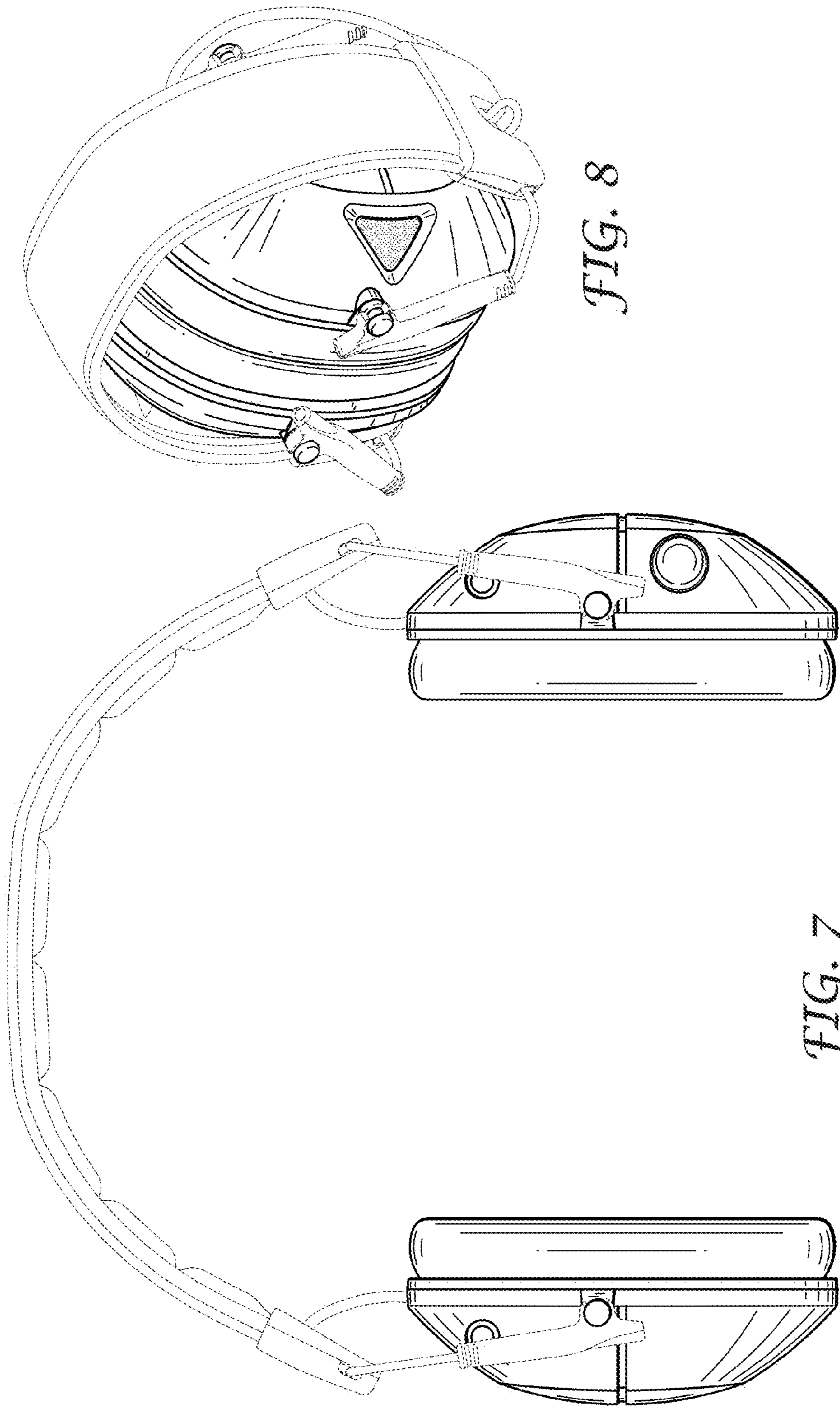


FIG. 8

FIG. 7