



US00D753882S

(12) **United States Design Patent**
Chertoff et al.

(10) **Patent No.:** **US D753,882 S**
(45) **Date of Patent:** **** Apr. 12, 2016**

(54) **COMPACT**

(71) Applicant: **ELC Management LLC**, Melville, NY (US)

(72) Inventors: **Jesse Chertoff**, Tenafly, NJ (US); **Sarah Kloman**, Mamaroneck, NY (US)

(73) Assignee: **ELC MANAGEMENT LLC**, Melville, NY (US)

(**) Term: **14 Years**

(21) Appl. No.: **29/488,988**

(22) Filed: **Apr. 25, 2014**

(51) **LOC (10) Cl.** **28-03**

(52) **U.S. Cl.**
USPC **D28/83**

(58) **Field of Classification Search**

USPC D28/78, 82, 83, 81, 77, 79, 84, 76, 64.1, D28/64.3, 73; D3/275, 901, 205, 274; D9/503-505, 655, 661, 662, 663
CPC A45D 40/00; A45D 40/22; A45D 40/221; A45D 40/222; A45D 40/24; A45D 2040/223-2040/228; A45D 33/00; A45D 33/03; A45D 33/006; A45D 33/008; A45D 33/22; A45D 42/02; A45D 2040/0012
See application file for complete search history.

(56) **References Cited**

U.S. PATENT DOCUMENTS

D422,120 S * 3/2000 Orsomando D28/83
D479,016 S * 8/2003 Sgariboldi D28/78
D496,759 S * 9/2004 Rodriguez D28/82
D503,245 S * 3/2005 Vanoncini D28/78
D517,244 S * 3/2006 Ditrichstein D28/78

D531,761 S * 11/2006 Zadeh D28/83
D582,100 S * 12/2008 Jackel D28/82
D642,743 S * 8/2011 Shteysel D28/83
D655,866 S * 3/2012 Villarreal D28/83
D720,526 S * 1/2015 Lopez-Stout D3/205
D721,855 S * 1/2015 Lavigne D28/83
D722,205 S * 2/2015 Parker D28/83
D722,406 S * 2/2015 Greenfield D28/83

* cited by examiner

Primary Examiner — Jennifer Rivard

Assistant Examiner — April Rivas

(74) *Attorney, Agent, or Firm* — Cynthia R. Miller

(57) **CLAIM**

The ornamental design for a compact, as shown.

DESCRIPTION

FIG. 1 is a top, front and right side perspective view of our new design for a compact;

FIG. 2 is a bottom, front and right side perspective view of the compact shown in FIG. 1;

FIG. 3 is a top plan view of the compact shown in FIG. 1;

FIG. 4 is a bottom plan view of the compact shown in FIG. 1;

FIG. 5 is a front elevation view of the compact shown in FIG. 1;

FIG. 6 is a rear elevation view of the compact shown in FIG. 1;

FIG. 7 is a left side elevation view of the compact shown in FIG. 1;

FIG. 8 is a right side elevation view of the compact shown in FIG. 1; and,

FIG. 9 is a front and right side perspective view of the compact shown in FIG. 1 in the open position.

The broken lines illustrate portions of the compact. The broken lines and the unshaded portions within form no part of the claimed design.

1 Claim, 4 Drawing Sheets

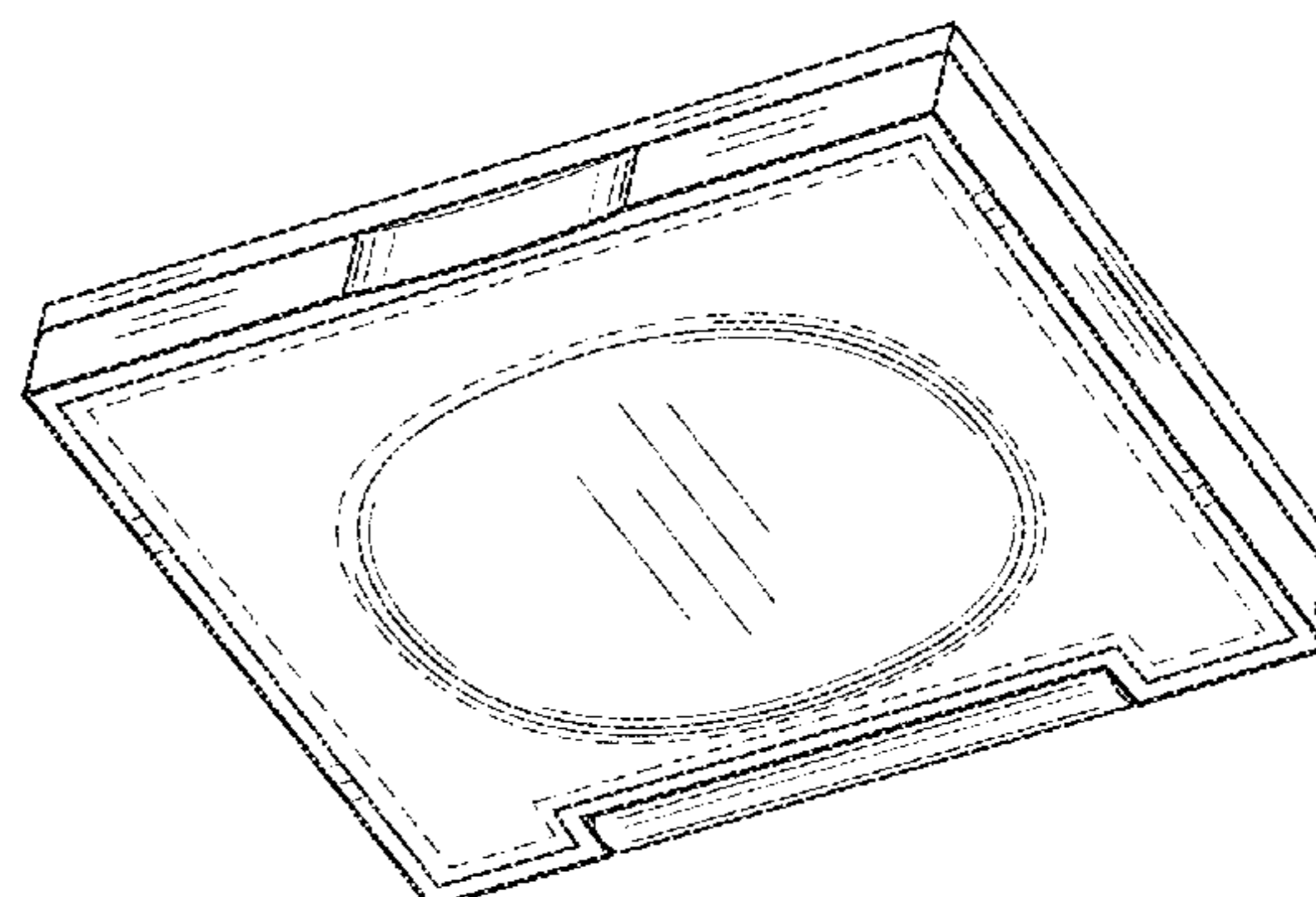
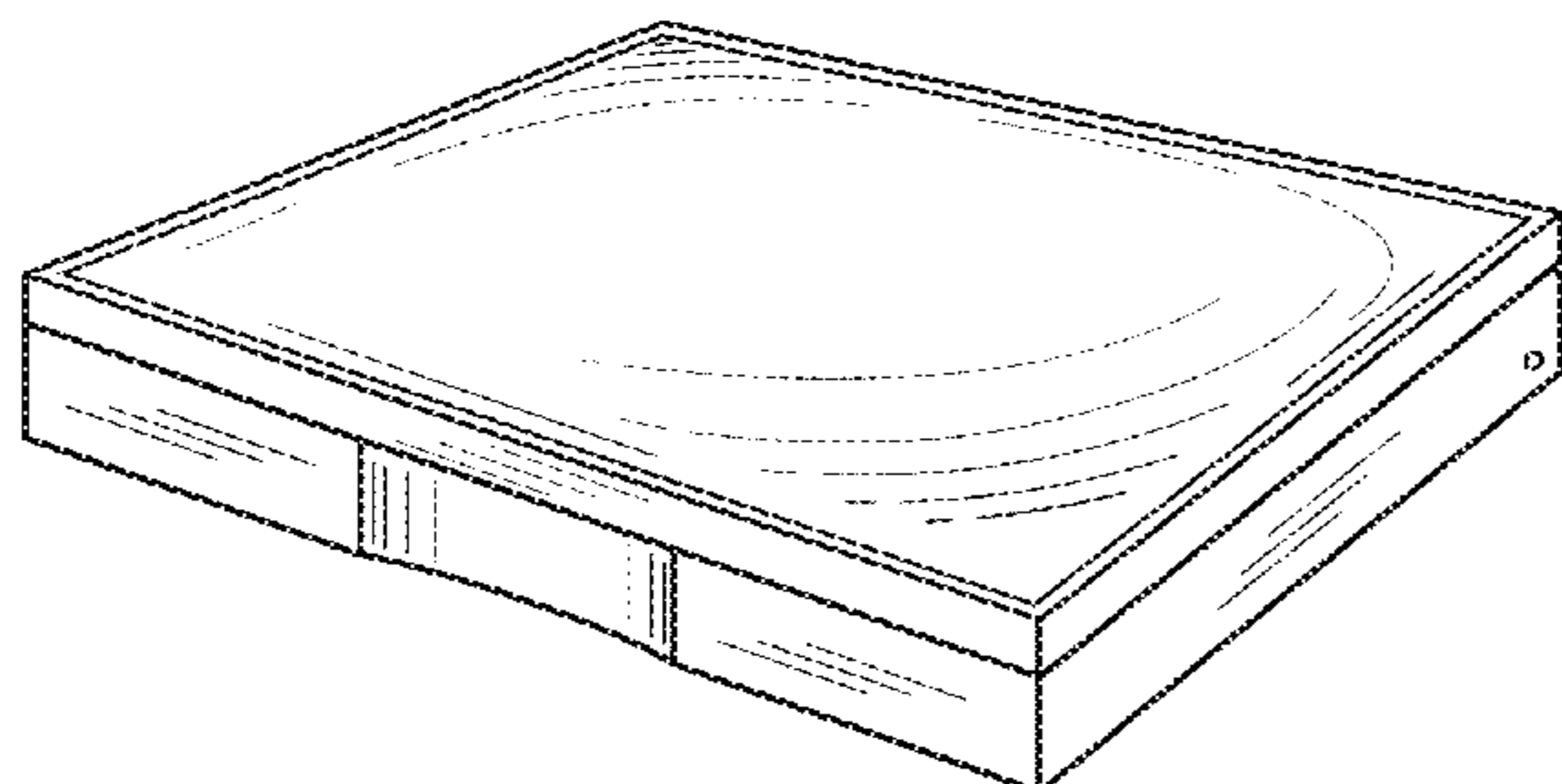


FIG. 1

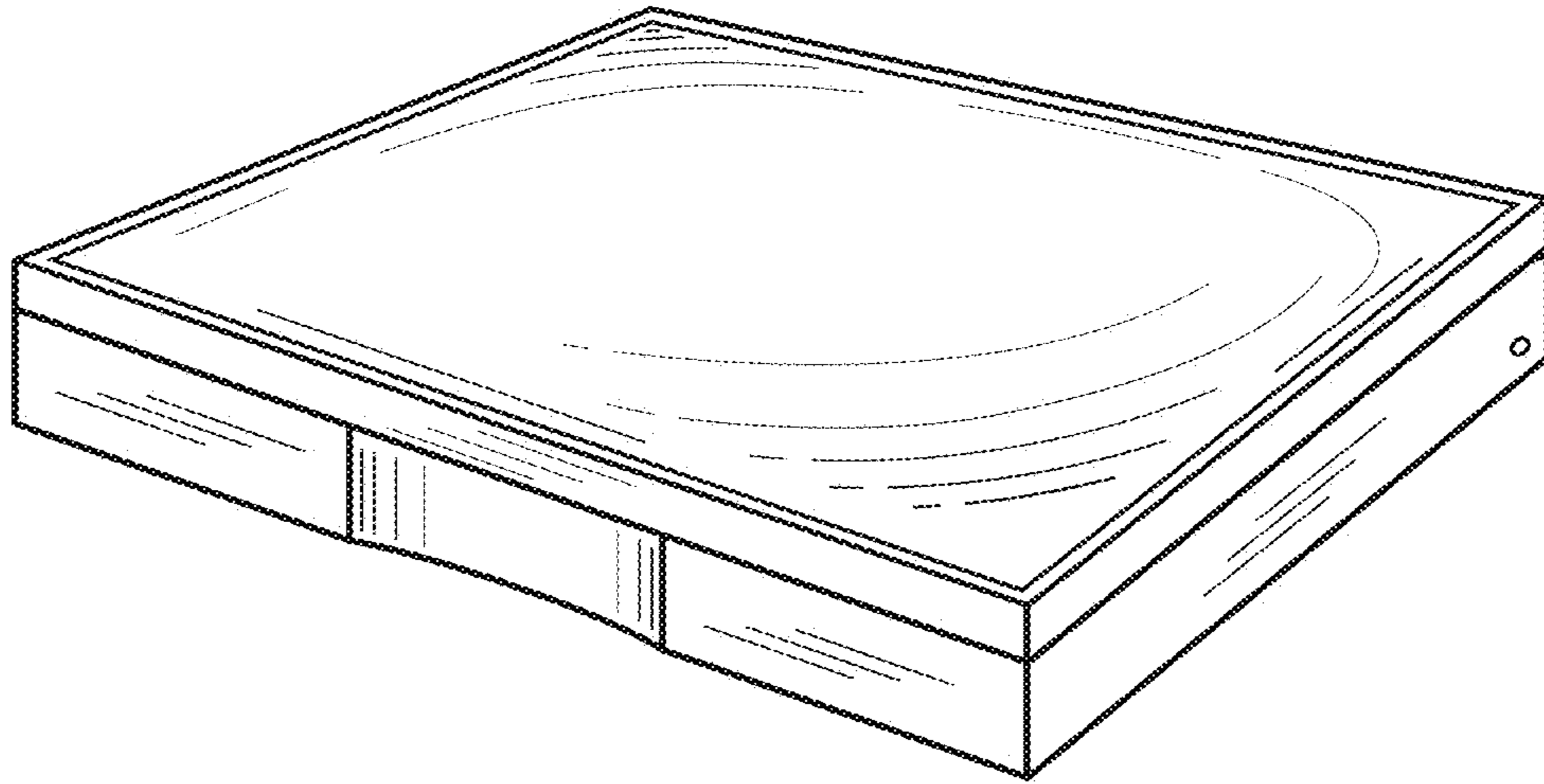


FIG. 2

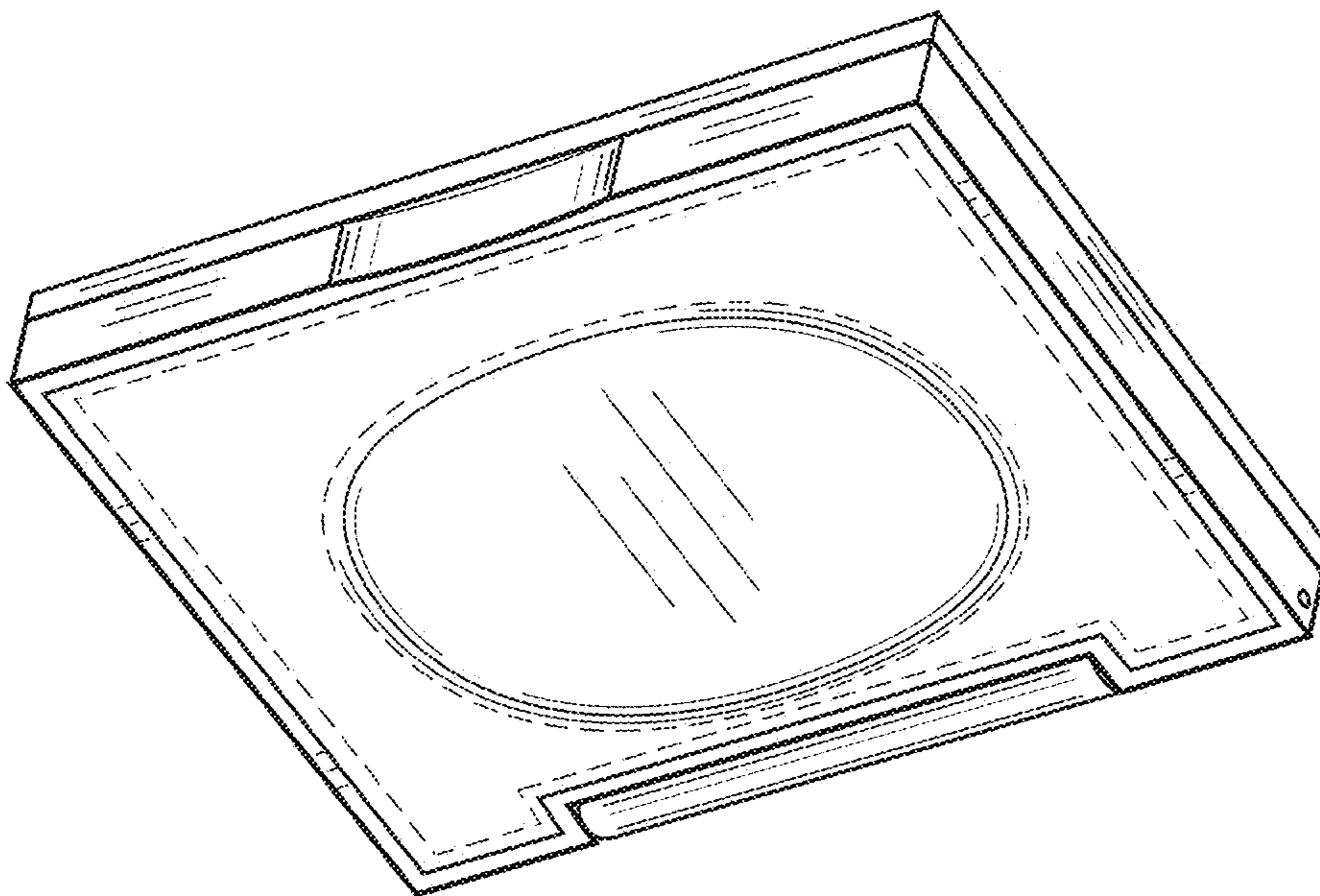


FIG. 3

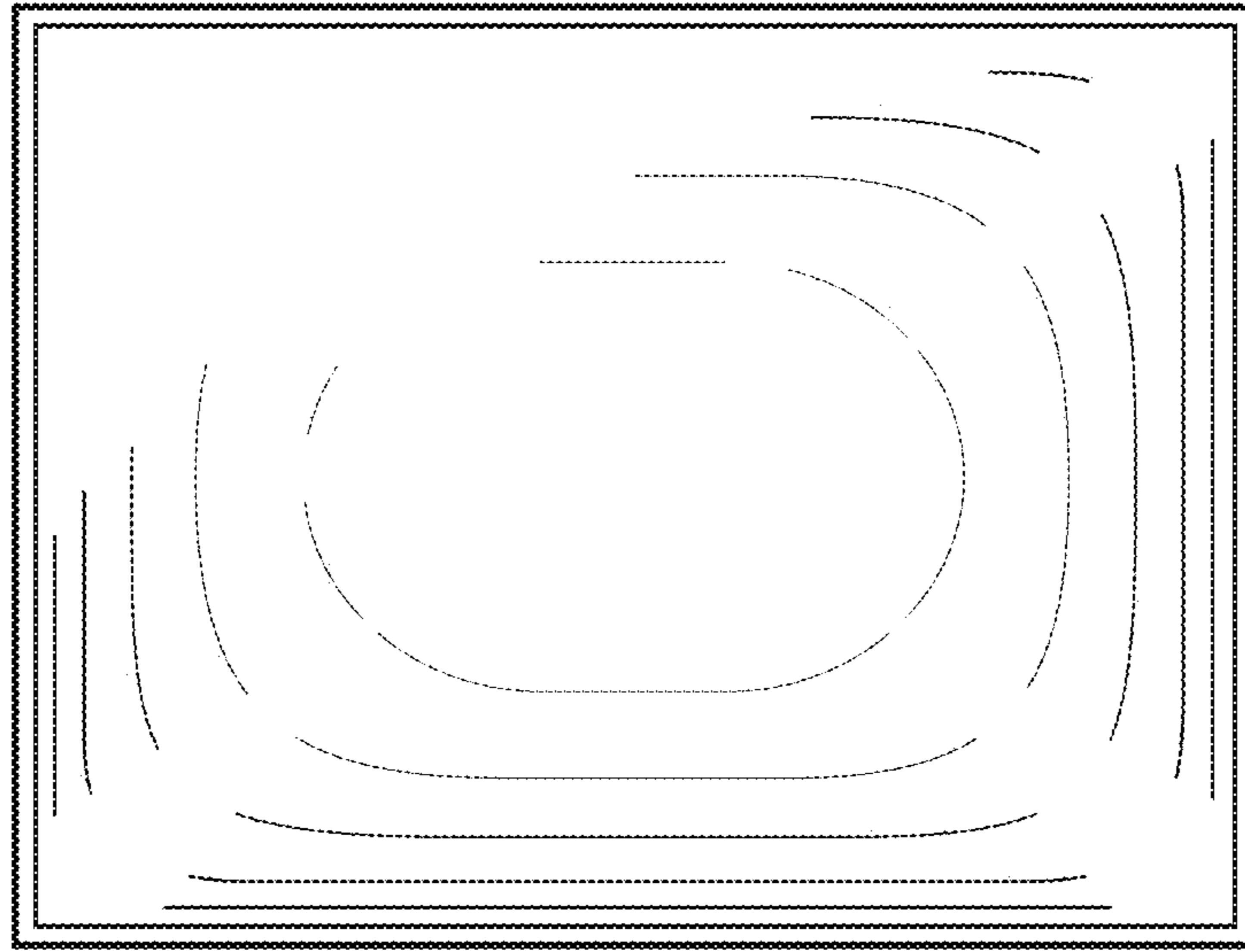


FIG. 4

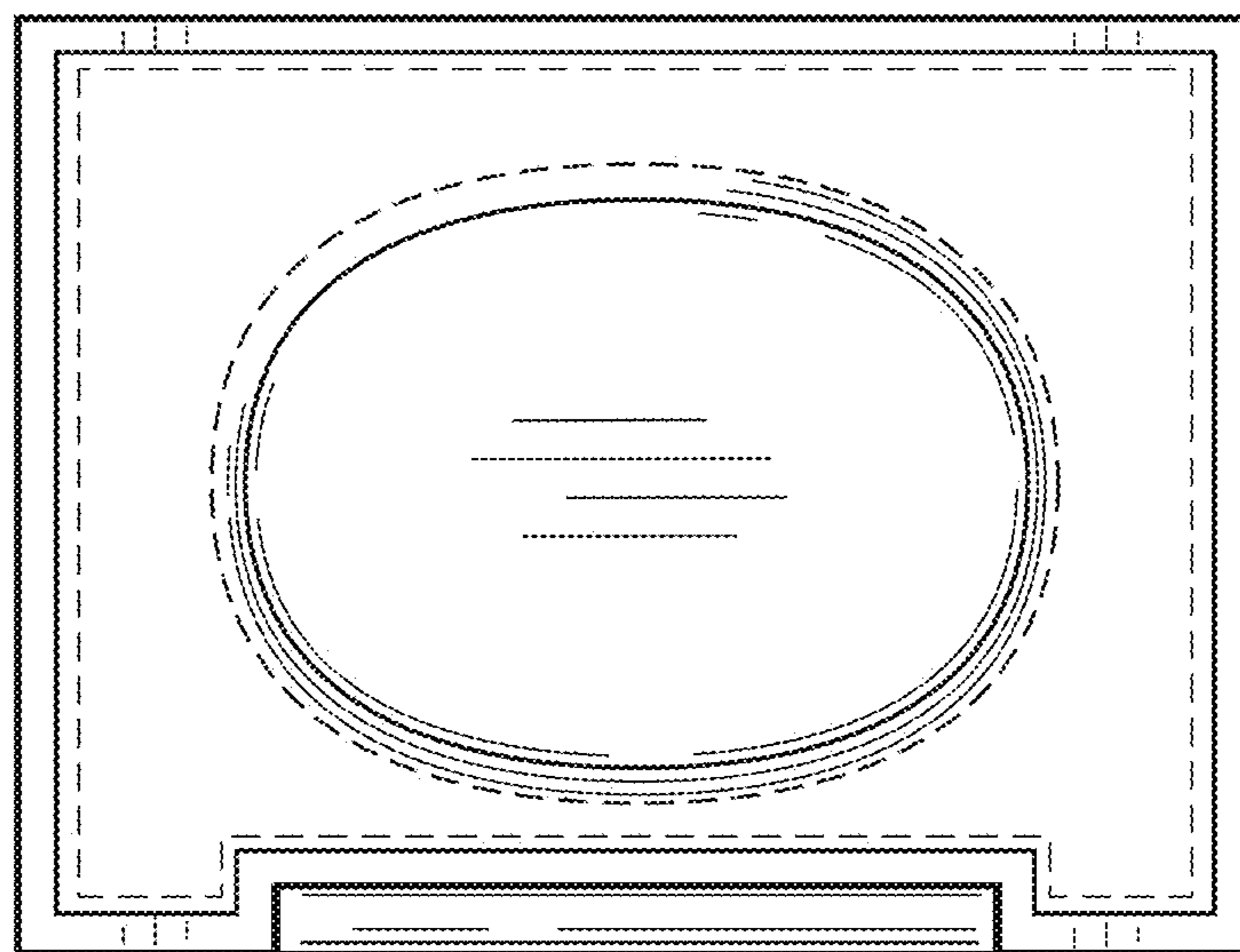


FIG. 5

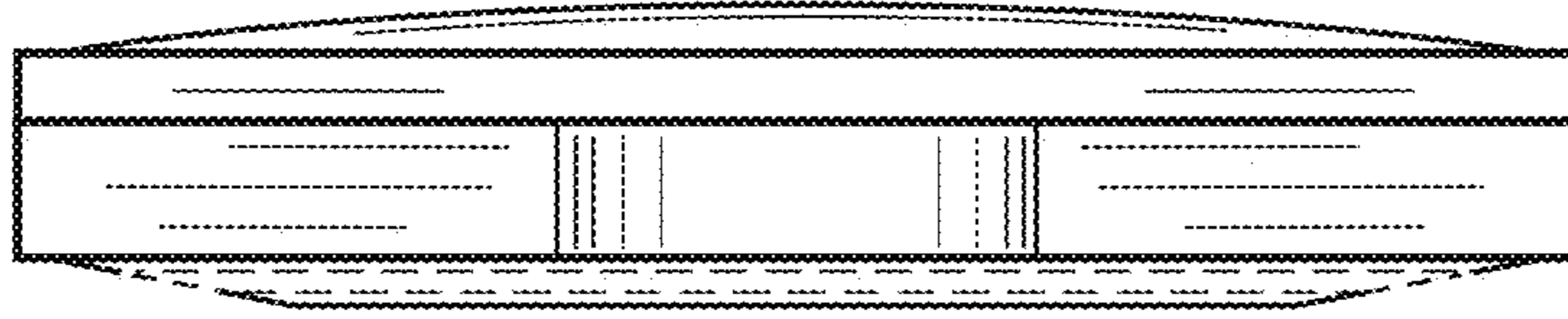


FIG. 6

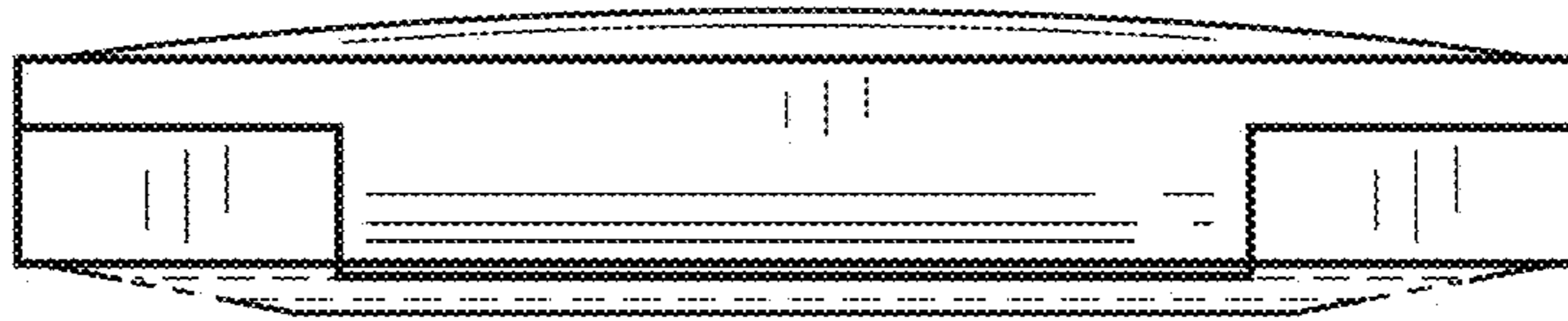


FIG. 7

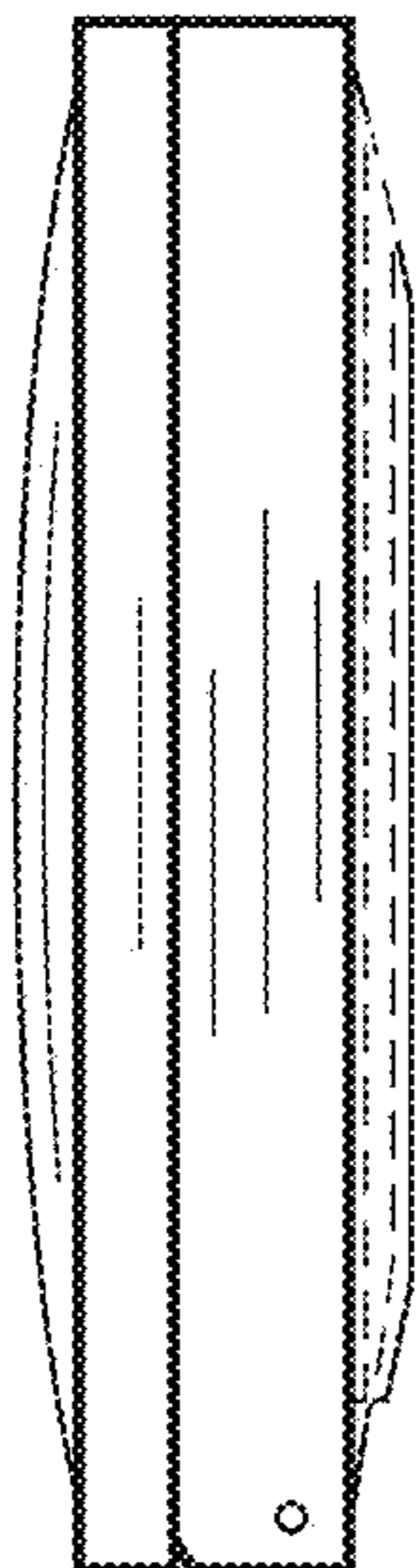


FIG. 8

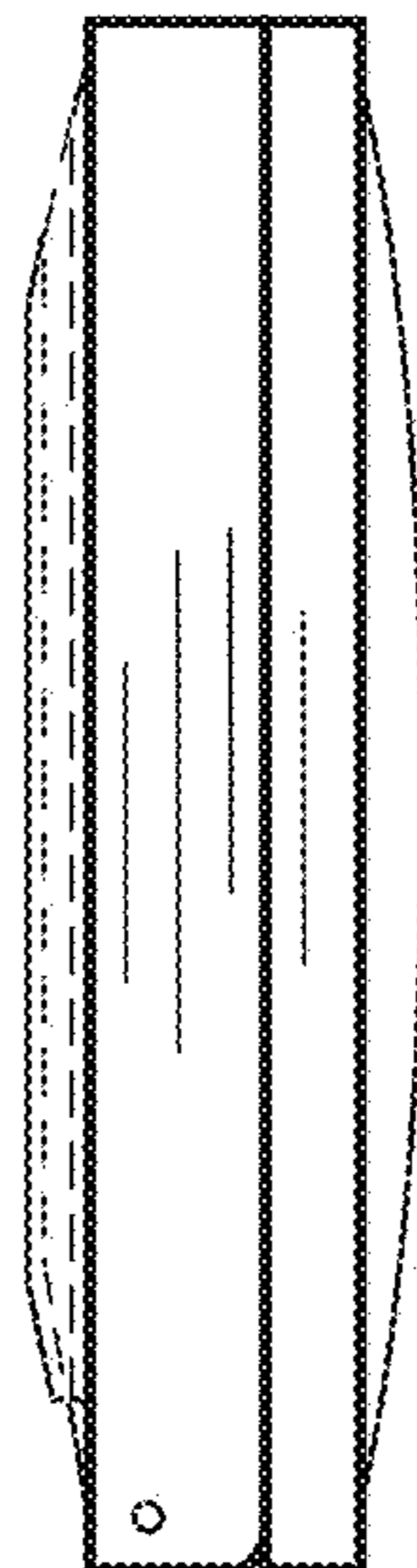


FIG. 9

