



US00D753881S

(12) **United States Design Patent**
Hussain et al.

(10) **Patent No.:** **US D753,881 S**
(45) **Date of Patent:** **** Apr. 12, 2016**

(54) **DOUBLE SIDED TWEEZERS**

(71) Applicants: **Muhammad Hussain**, Highland Park,
NJ (US); **Farah Hussain**, Highland Park,
NJ (US)

(72) Inventors: **Muhammad Hussain**, Highland Park,
NJ (US); **Farah Hussain**, Highland Park,
NJ (US)

(**) Term: **14 Years**

(21) Appl. No.: **29/521,395**

(22) Filed: **Mar. 23, 2015**

(51) **LOC (10) Cl.** **28-03**

(52) **U.S. Cl.**
USPC **D28/55**

(58) **Field of Classification Search**
USPC D28/55; D24/143, 147; 606/131
CPC A61B 17/30; A61B 17/50; B25B 9/02;
A45D 26/0066; A45D 26/0071; A45D
26/0076; G04D 1/02
See application file for complete search history.

(56) **References Cited**

U.S. PATENT DOCUMENTS

D227,040 S * 5/1973 Lockwood D24/143
D521,685 S * 5/2006 Cho D28/55

D532,553 S * 11/2006 Ross D24/143
D559,457 S * 1/2008 Garland D28/55
D575,904 S * 8/2008 Iqbal D24/143
D584,450 S * 1/2009 Cho D28/55
D584,451 S * 1/2009 Cho D28/55
D738,611 S * 9/2015 Gupta D28/55
2006/0129187 A1 * 6/2006 Cho A45D 26/0066
606/210
2009/0102214 A1 * 4/2009 Cho B25B 9/02
294/99.2

* cited by examiner

Primary Examiner — Jennifer Rivard

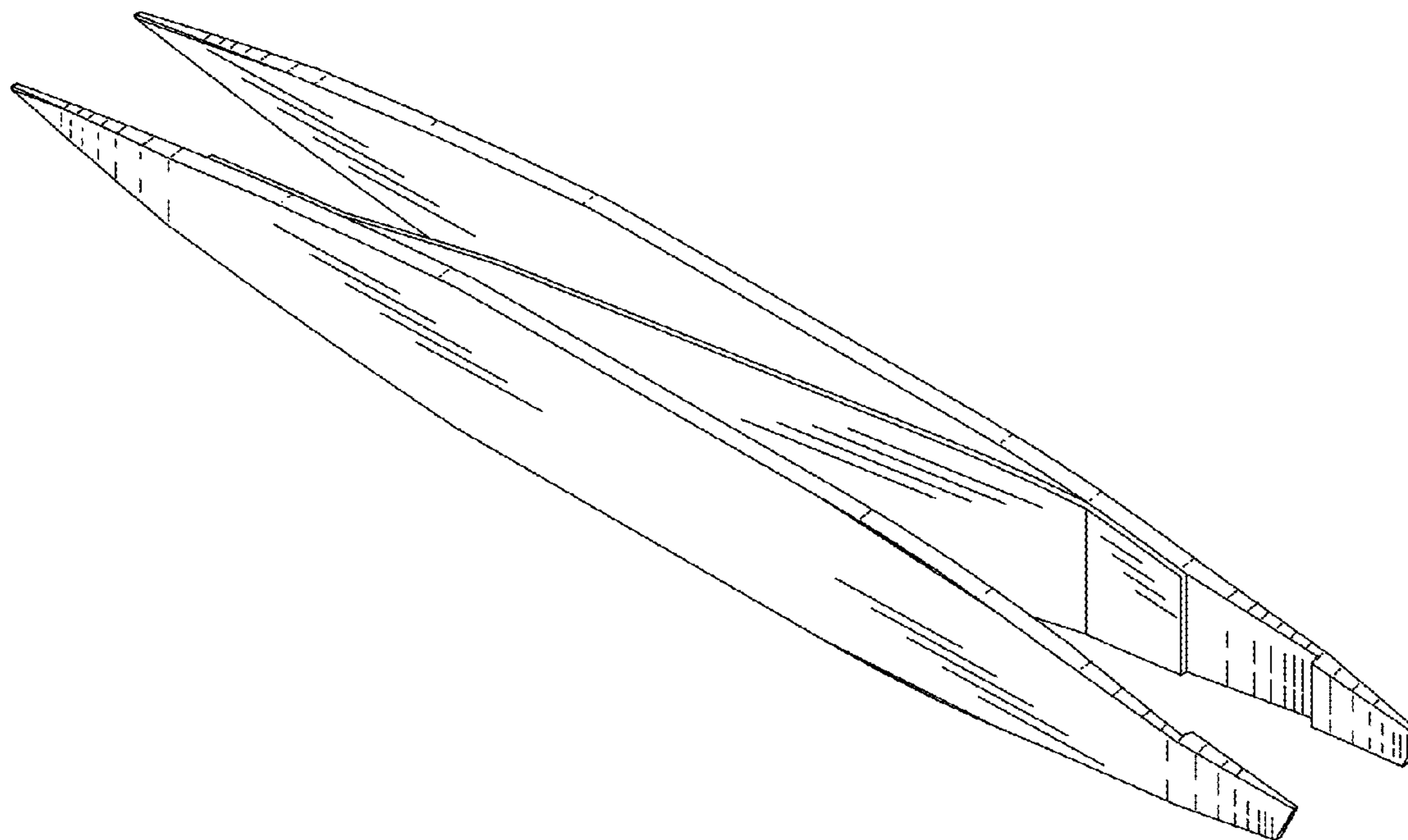
(57) **CLAIM**

The ornamental design for double sided tweezers, as shown and described.

DESCRIPTION

FIG. 1 is a perspective view of the double sided tweezers showing our new design;
FIG. 2 is a top plan view thereof;
FIG. 3 is a bottom plan view thereof;
FIG. 4 is a front elevational view thereof;
FIG. 5 is a rear elevational view thereof;
FIG. 6 is a right side elevational view thereof; and,
FIG. 7 is a left side elevational view thereof.

1 Claim, 7 Drawing Sheets



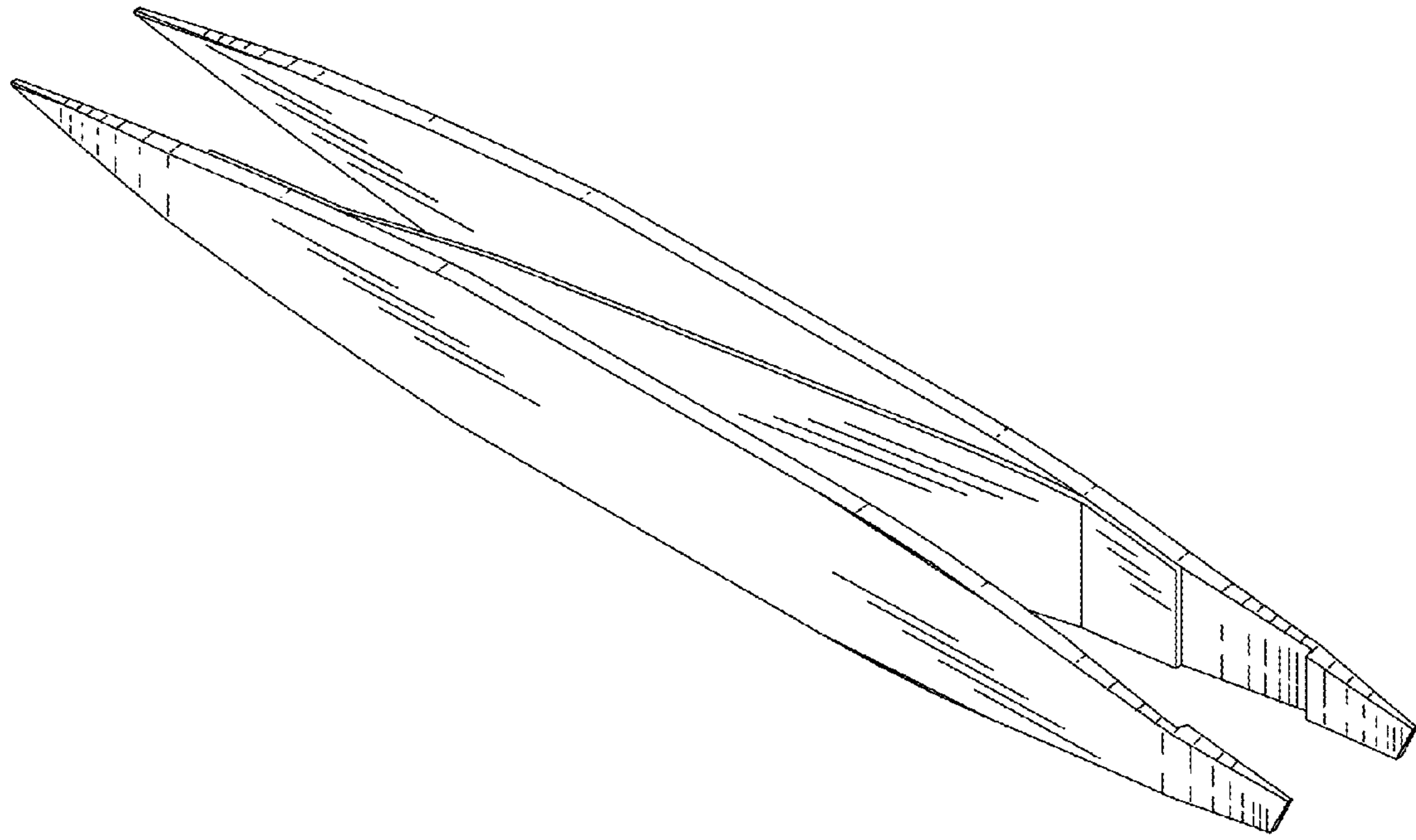


FIG. 1

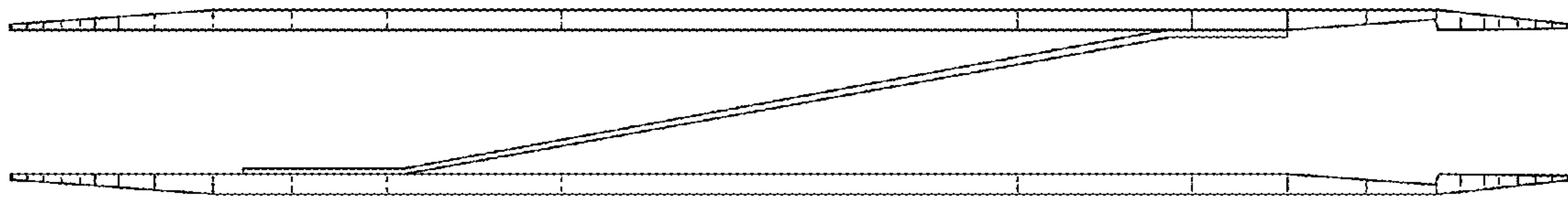


FIG. 2

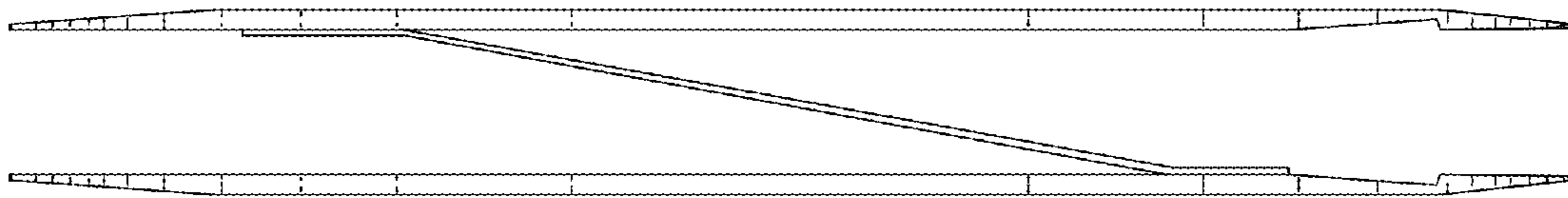


FIG. 3



FIG. 4

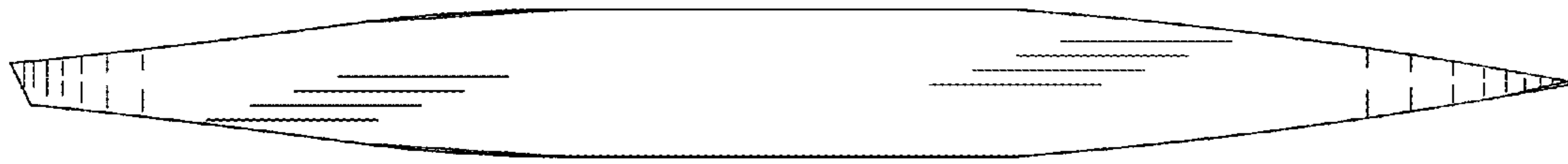


FIG. 5

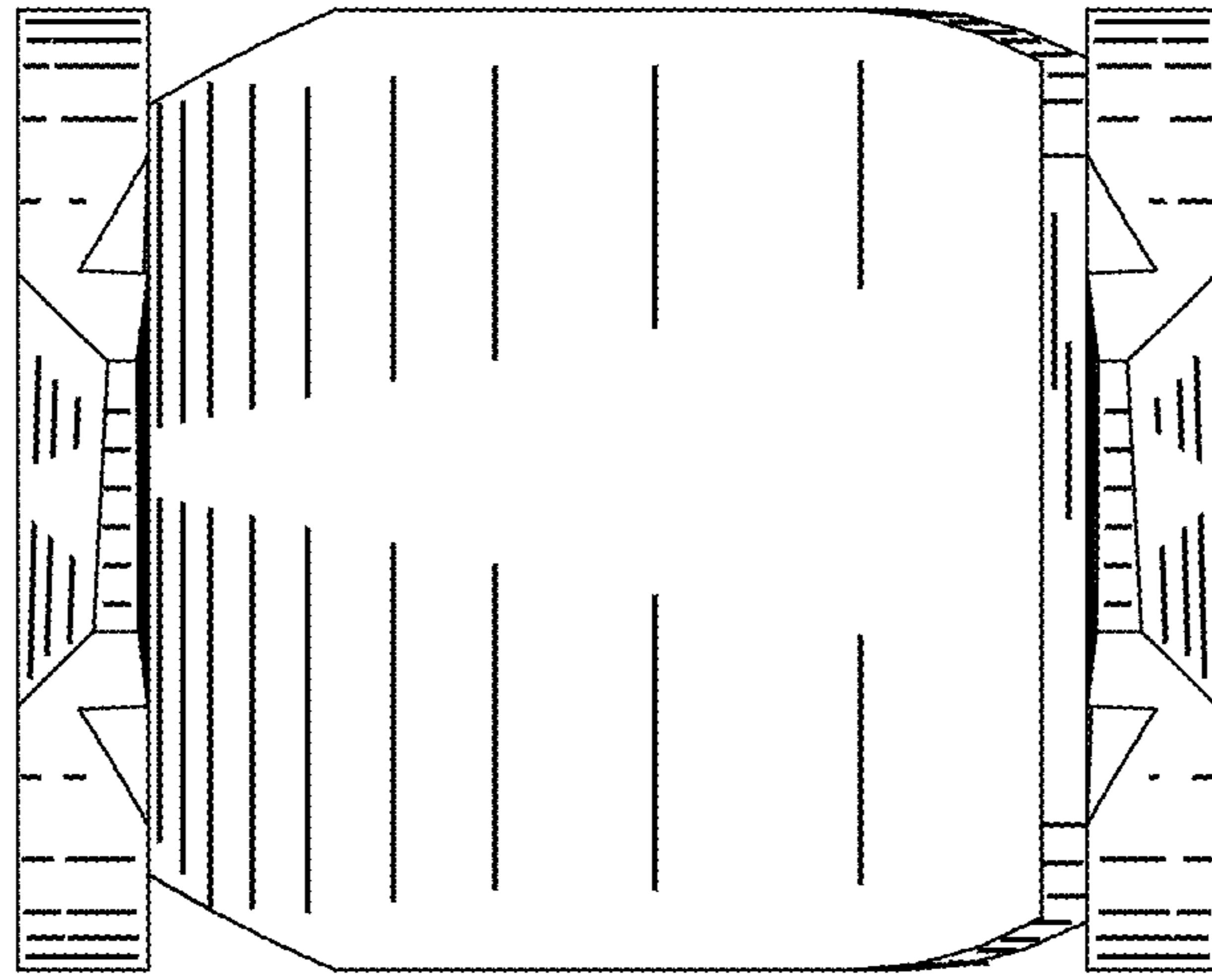


FIG. 6

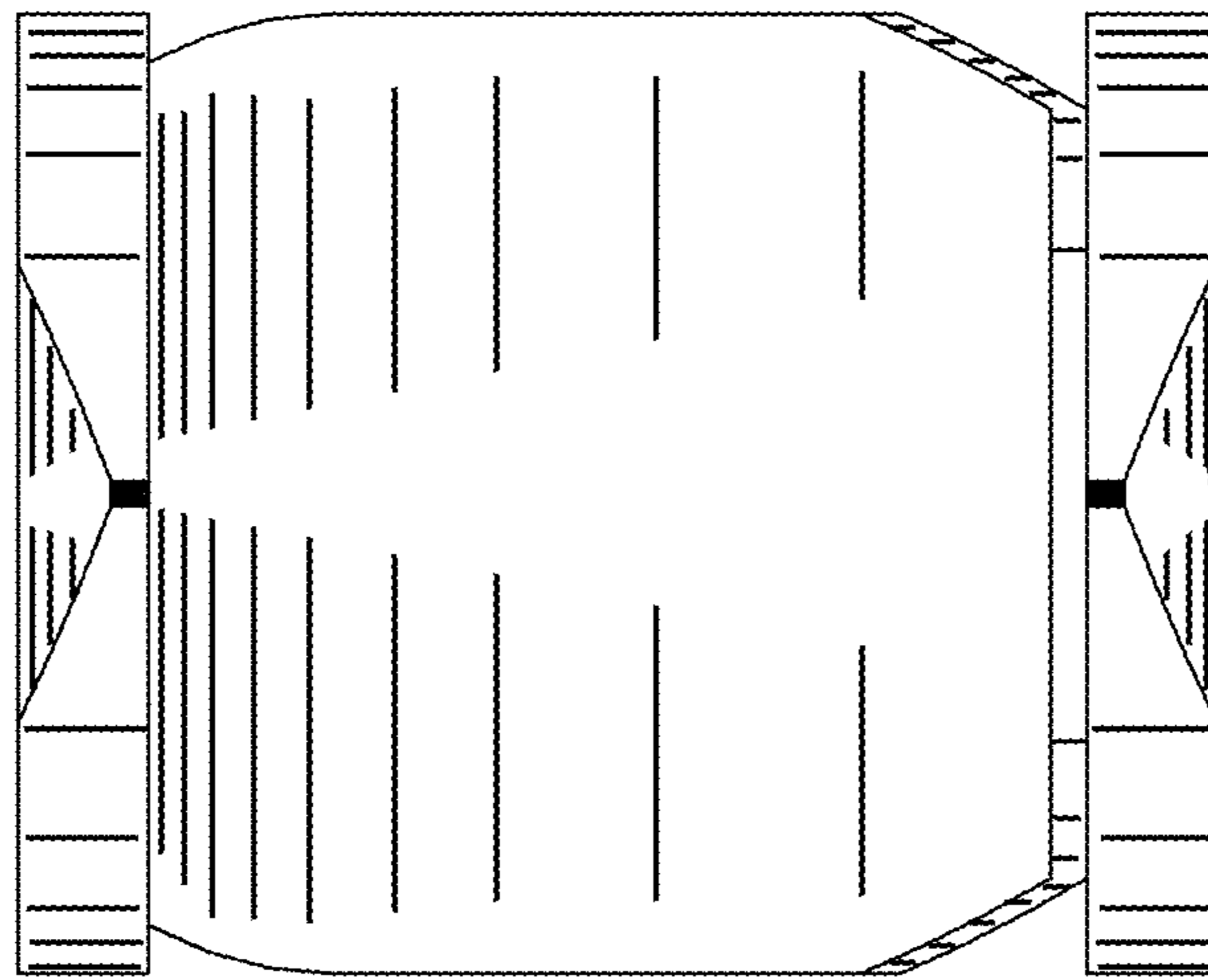


FIG. 7