



US00D753879S

(12) **United States Design Patent**
Andersson

(10) **Patent No.:** **US D753,879 S**
(45) **Date of Patent:** **** Apr. 12, 2016**

- (54) **COMB FOR GROOMING APPARATUS**
- (71) Applicant: **KONINKLIJKE PHILIPS N.V.**,
Eindhoven (NL)
- (72) Inventor: **Jens Peter Kophmann Andersson**,
Amsterdam (NL)
- (73) Assignee: **KONINKLIJKE PHILIPS N.V.**,
Eindhoven (NL)
- (**) Term: **14 Years**
- (21) Appl. No.: **29/513,572**
- (22) Filed: **Jan. 2, 2015**
- (30) **Foreign Application Priority Data**

5,479,950	A	*	1/1996	Andrews	A45D 24/36
						132/215
D463,623	S	*	9/2002	Kling	D28/54
D524,487	S	*	7/2006	Seki	D28/54
D530,858	S	*	10/2006	Kling	D28/54
D558,400	S	*	12/2007	Micinilio	D28/54
D559,456	S	*	1/2008	Melton	D28/54
D565,793	S	*	4/2008	Wallace	D28/54
D574,557	S	*	8/2008	Kling	D28/54
D591,455	S	*	4/2009	Micinilio	D28/54
D591,907	S	*	5/2009	Micinilio	D28/54
D616,606	S	*	5/2010	Adams	D28/47
D617,497	S	*	6/2010	Goodhead	D28/47
D619,301	S	*	7/2010	Wattam	D28/47
D619,304	S	*	7/2010	Shen	D28/54
D620,196	S	*	7/2010	Nicoll	D28/47
D722,201	S	*	2/2015	Boulanger	D28/54
2008/0289192	A1	*	11/2008	Martelli	B26B 19/20
						30/233.5
2014/0215832	A1	*	8/2014	Julemont	B26B 19/20
						30/200

- Jul. 4, 2014 (EM) 002496497-0003
- (51) **LOC (10) Cl.** **28-03**
- (52) **U.S. Cl.**
USPC **D28/54**
- (58) **Field of Classification Search**
USPC D28/54, 53, 52, 49, 51
CPC .. B26B 19/20; B26B 19/205; B26B 19/3813;
B26B 19/38; B26B 19/3806
See application file for complete search history.

* cited by examiner

Primary Examiner — Jennifer Rivard

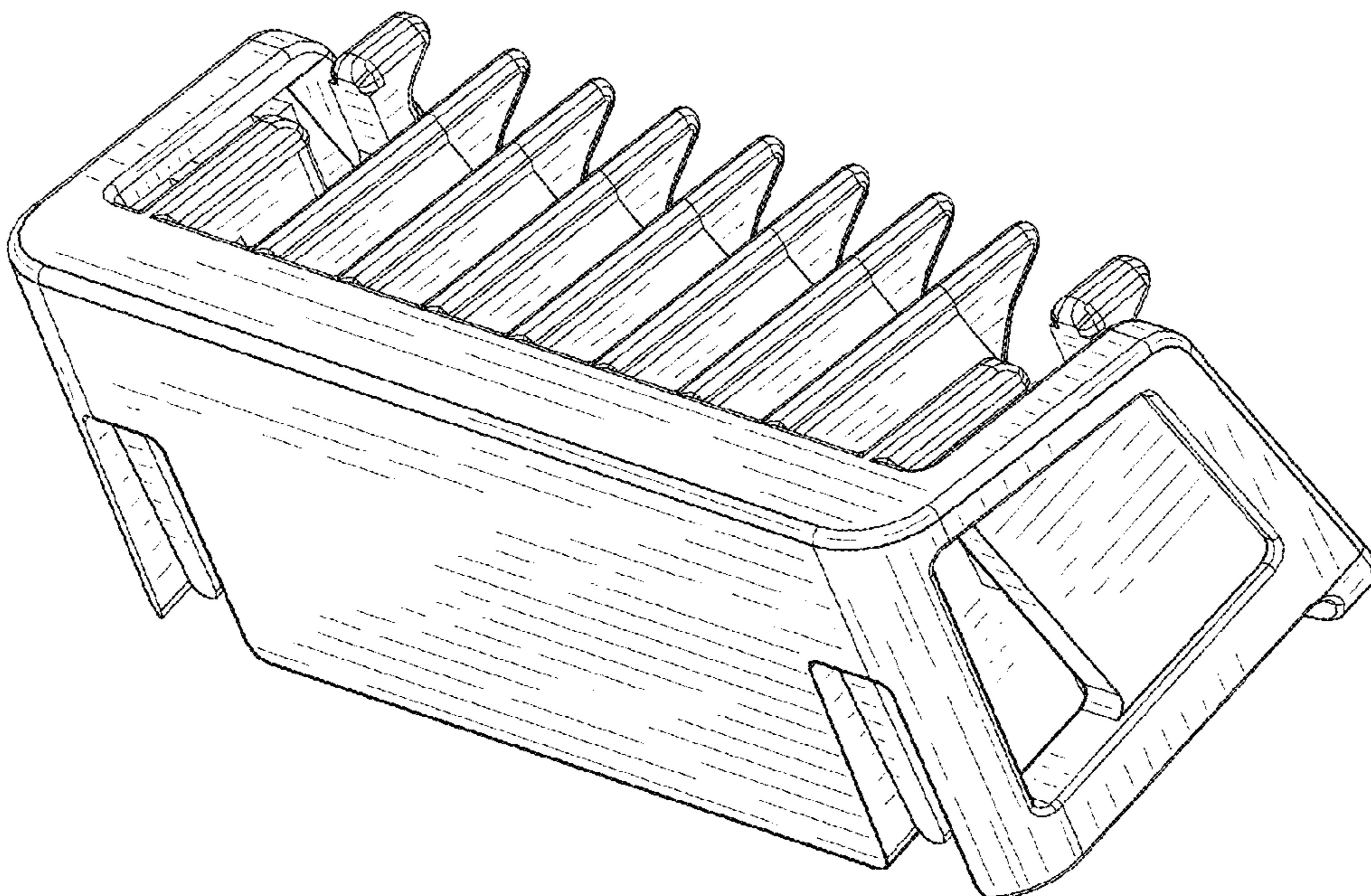
- (56) **References Cited**
U.S. PATENT DOCUMENTS
D286,454 S * 10/1986 Stephens D28/54
5,054,199 A * 10/1991 Ogawa B26B 19/06
30/200

(57) **CLAIM**
The ornamental design for a comb for grooming apparatus, as shown.

DESCRIPTION

FIG. 1 is a perspective view showing my design;
FIG. 2 is a front elevational view thereof;
FIG. 3 is a rear elevational view thereof;
FIG. 4 is a right side elevational view thereof;
FIG. 5 is a left side elevational view thereof;
FIG. 6 is a top plan view thereof; and,
FIG. 7 is a bottom plan view thereof.

1 Claim, 4 Drawing Sheets



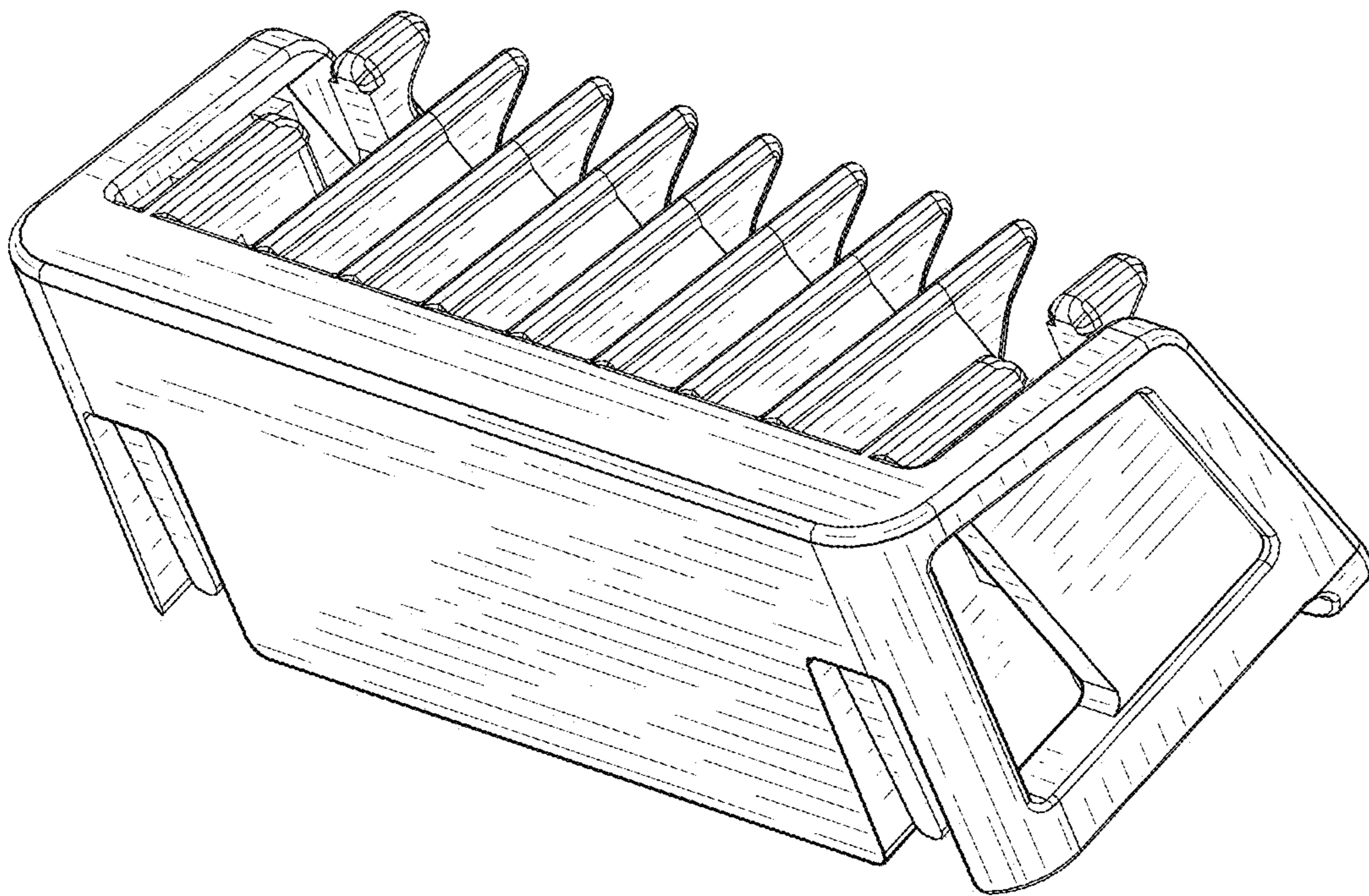


FIG. 1

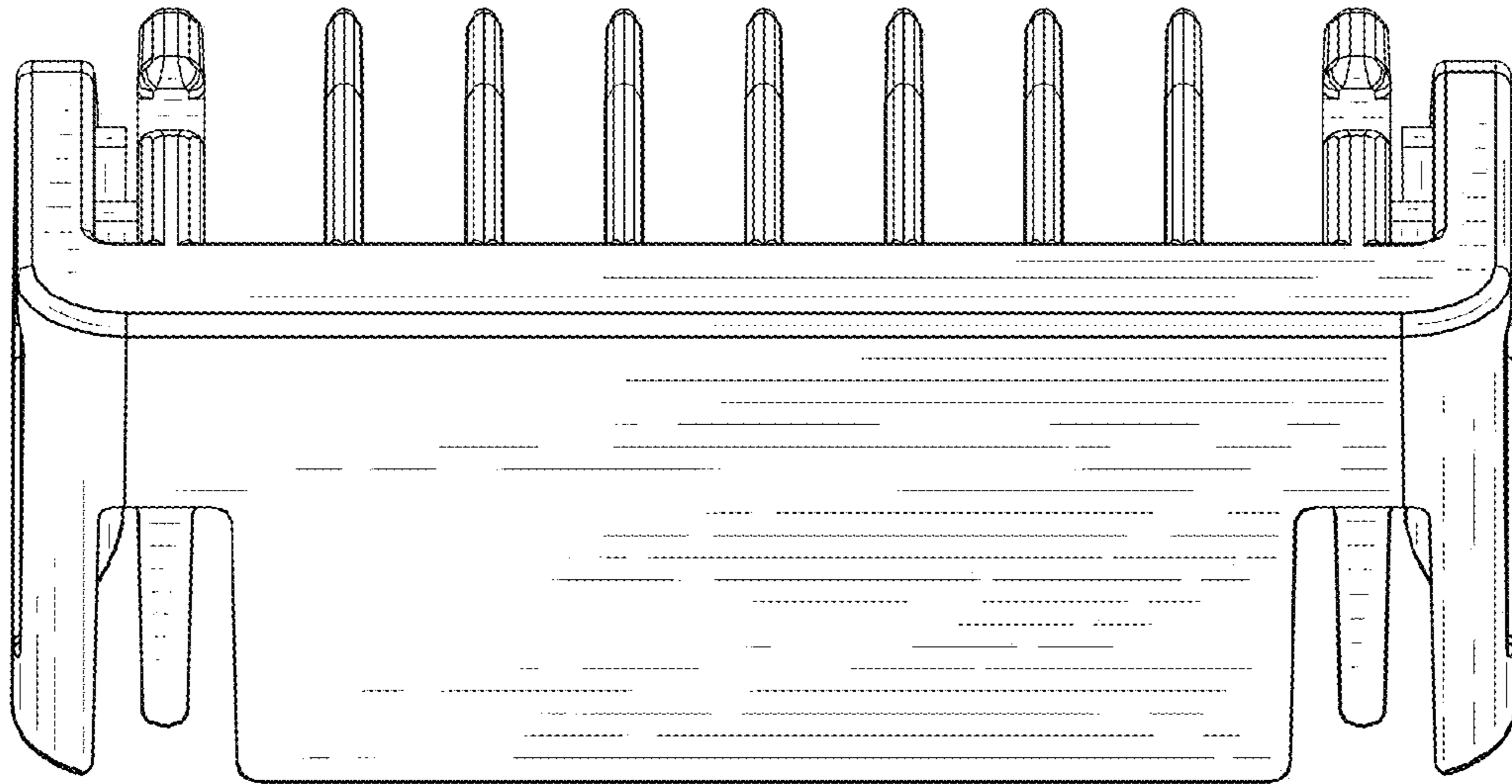


FIG. 2

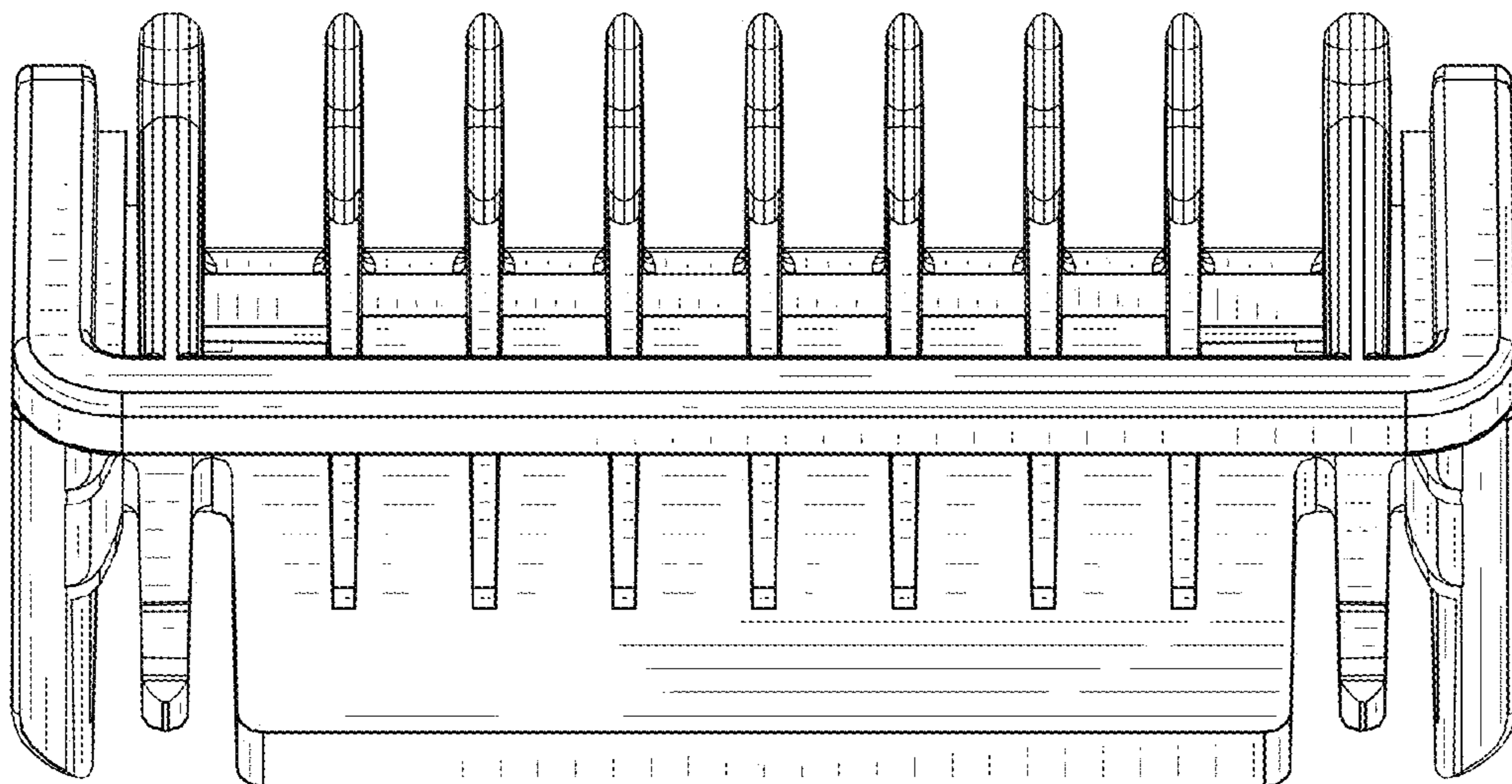


FIG. 3

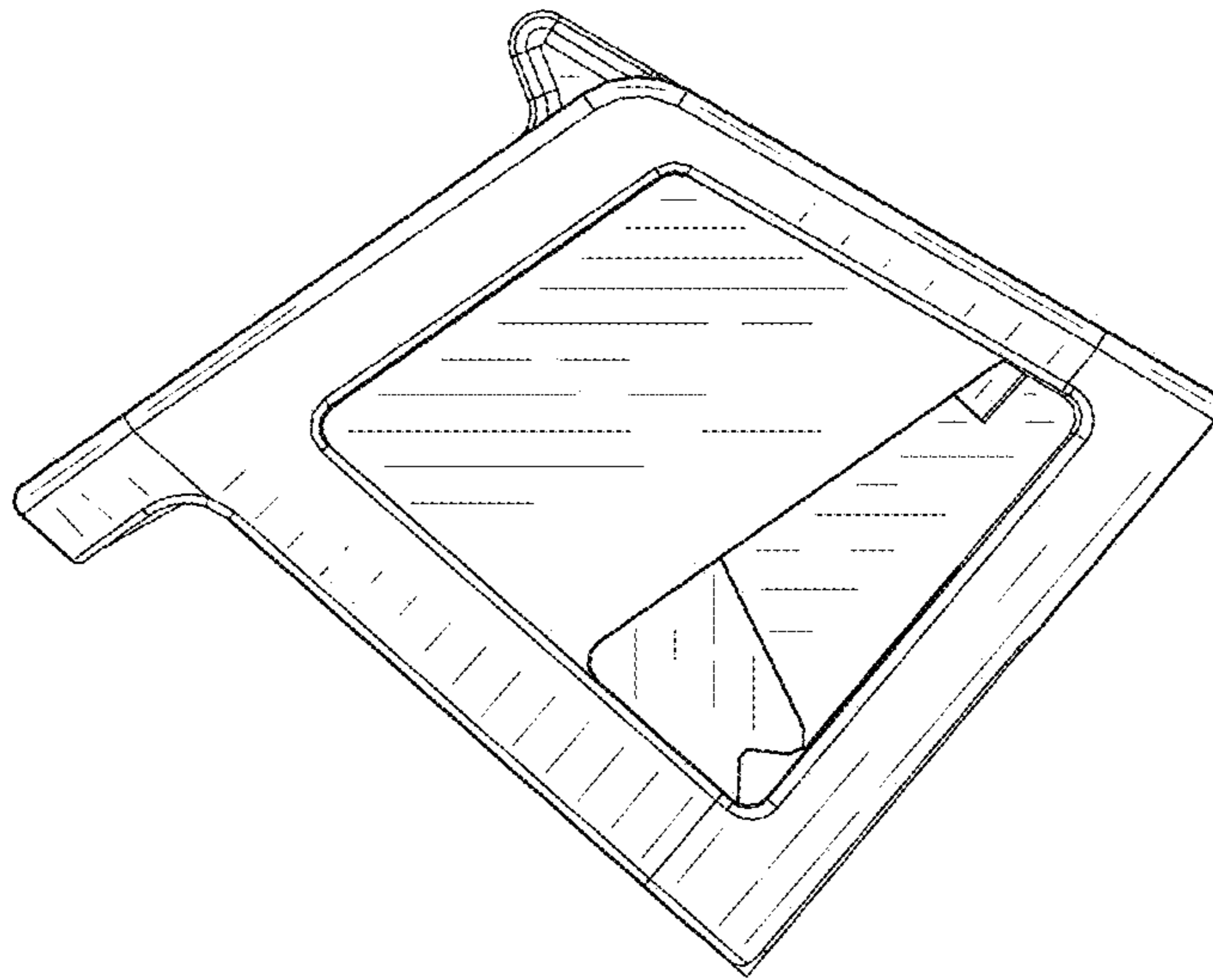


FIG. 4

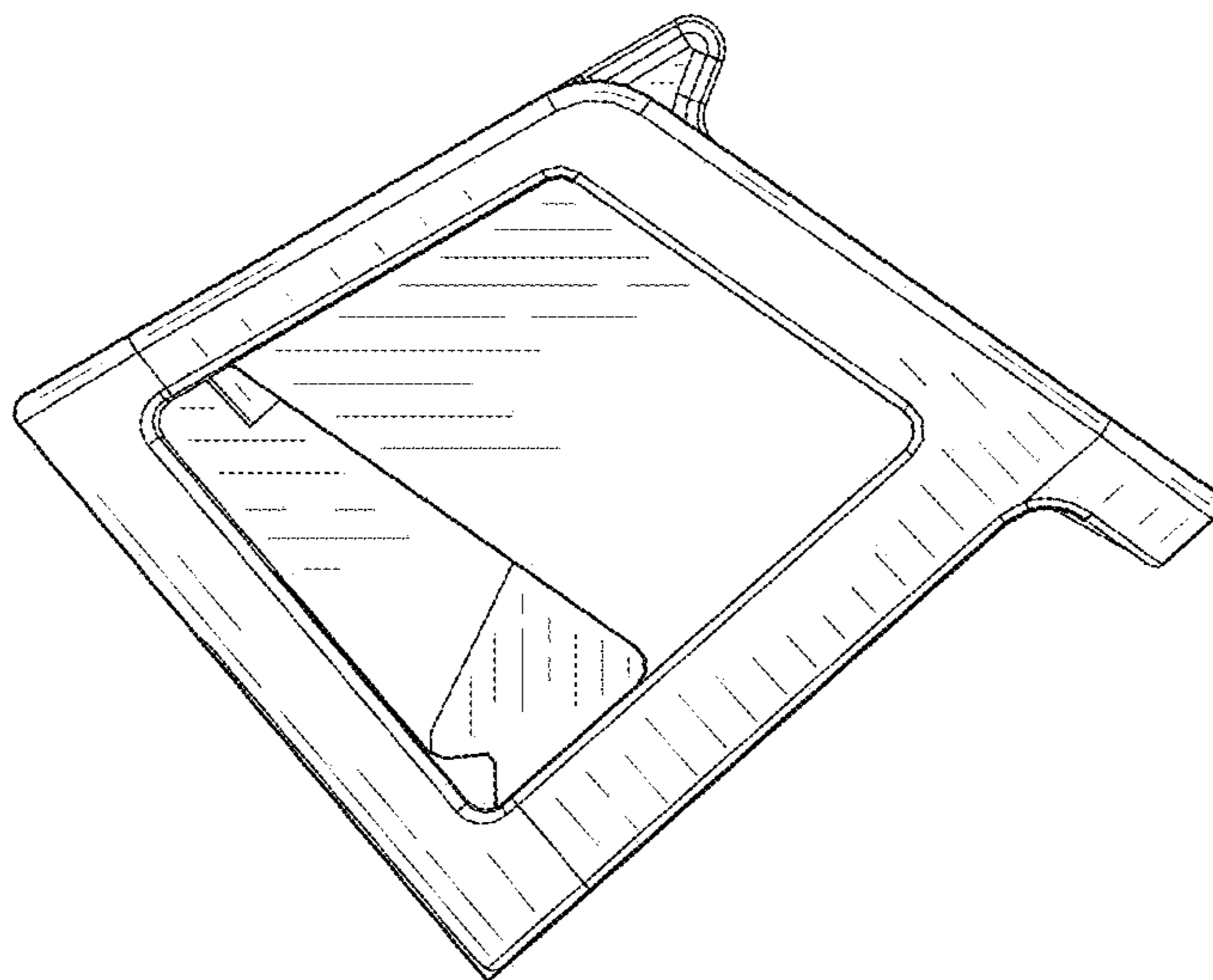


FIG. 5

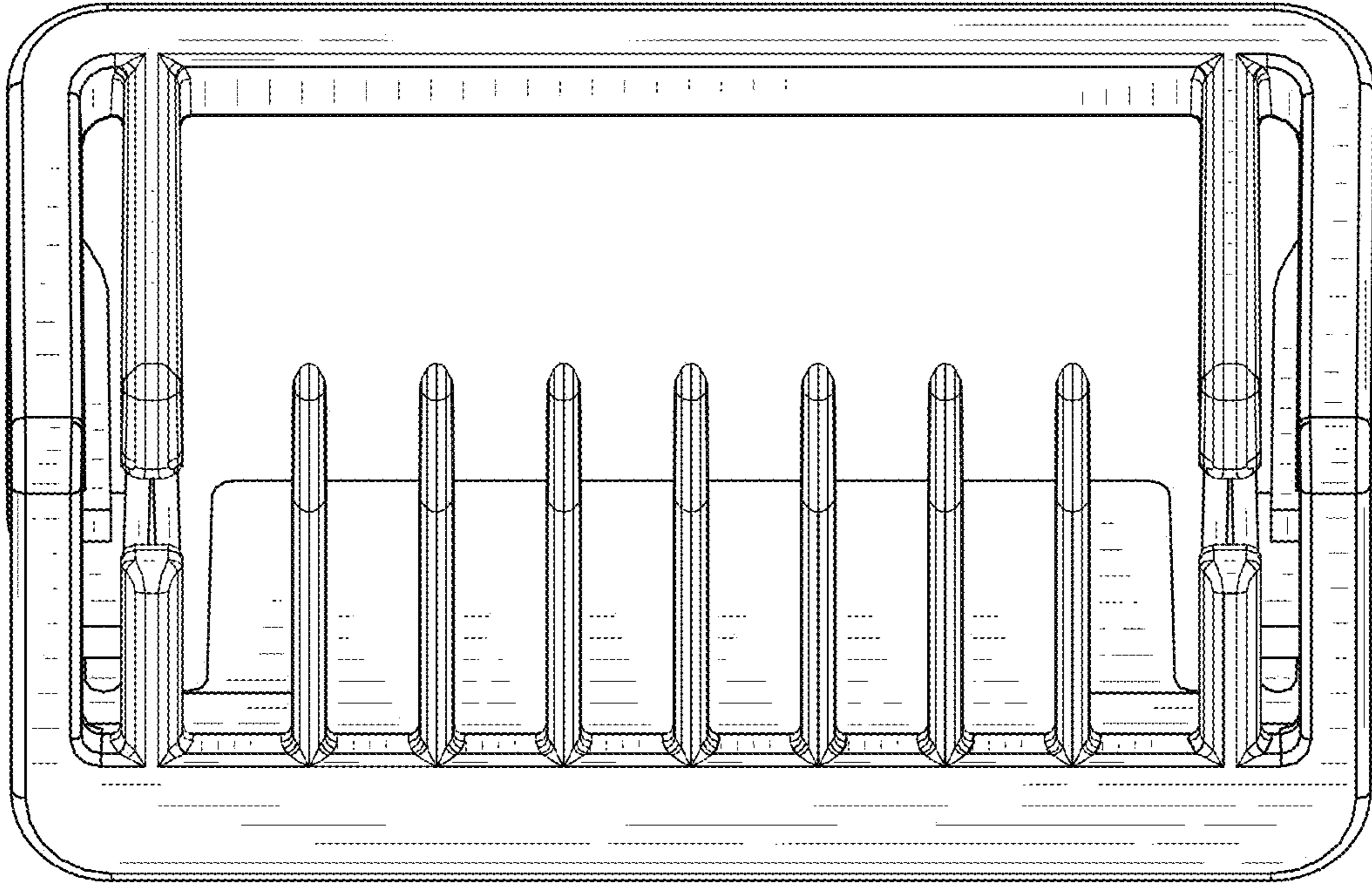


FIG. 6

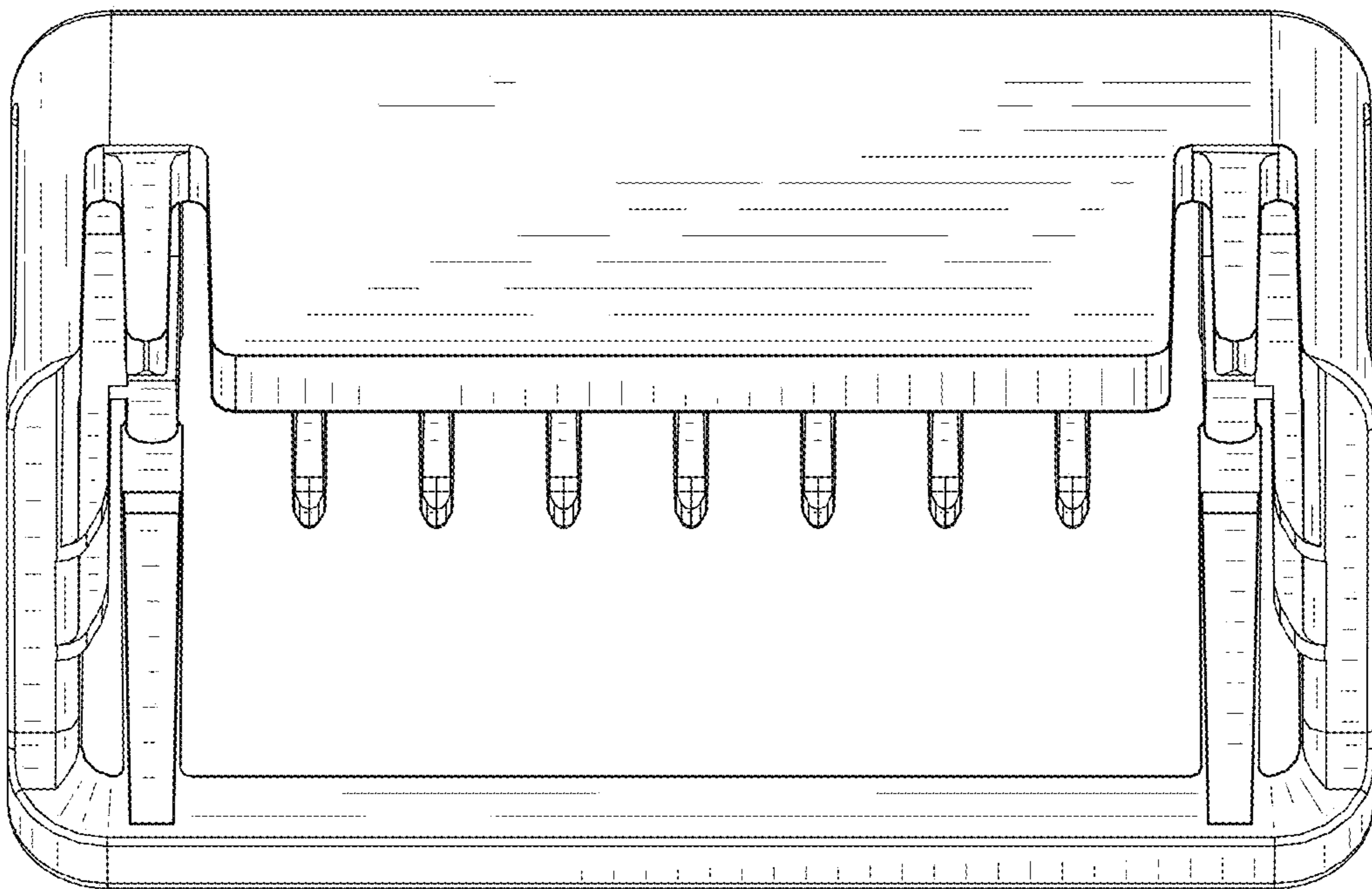


FIG. 7