



US00D753878S

(12) **United States Design Patent**
Ghaani

(10) **Patent No.:** **US D753,878 S**

(45) **Date of Patent:** **** Apr. 12, 2016**

(54) **DRYER HANDLE**

(71) Applicant: **Heat Makes Sense, Inc.**, Brooklyn, NY
(US)

(72) Inventor: **Mina Ghaani**, Astoria, NY (US)

(73) Assignee: **HEAT MAKES SENSE, INC.**,
Brooklyn, NY (US)

(**) Term: **14 Years**

(21) Appl. No.: **29/509,609**

(22) Filed: **Nov. 19, 2014**

(51) **LOC (10) Cl.** **28-03**

(52) **U.S. Cl.**
USPC **D28/18**

(58) **Field of Classification Search**
USPC D28/12-19; 34/96-101; 392/380-385;
219/222
CPC A45D 20/12; A45D 20/00
See application file for complete search history.

(56) **References Cited**

U.S. PATENT DOCUMENTS

D256,846 S * 9/1980 Haase D28/13
D281,020 S * 10/1985 Rittenhouse D28/18

D281,727 S * 12/1985 Tsuji D28/18
D418,249 S * 12/1999 Elkerbout D28/10
D421,152 S * 2/2000 Kwok D28/18

* cited by examiner

Primary Examiner — Zenia Bennett

(74) *Attorney, Agent, or Firm* — Cowan, Liebowitz &
Latman, P.C.; Mark Montague

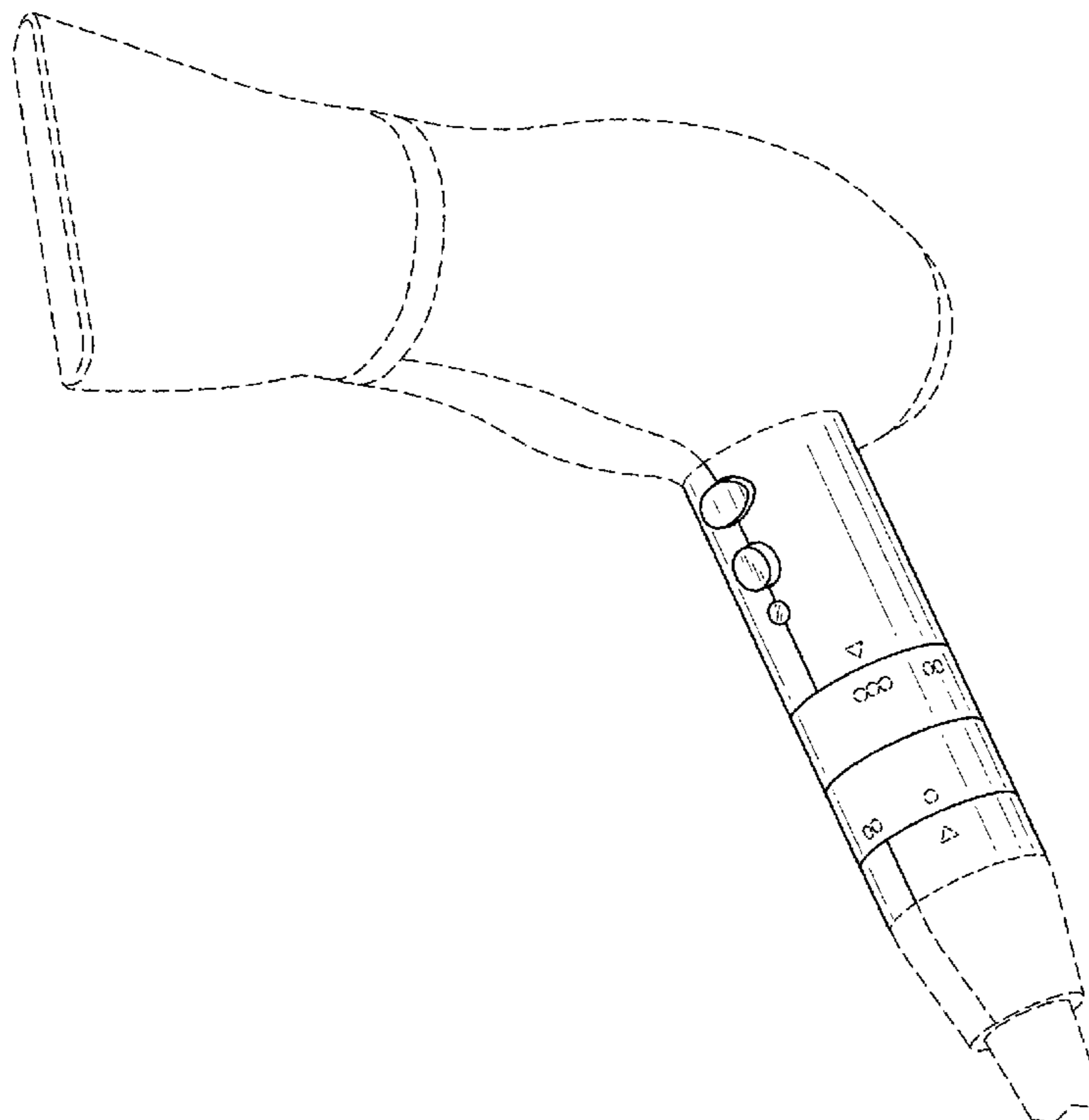
(57) **CLAIM**

The ornamental design for a dryer handle, as shown.

DESCRIPTION

FIG. 1 is a front perspective view of the dryer handle of the present invention;
FIG. 2 is a front plan view thereof;
FIG. 3 is a right side plan view thereof;
FIG. 4 is a left side plan view thereof;
FIG. 5 is a back plan view thereof;
FIG. 6 is a top plan view thereof; and,
FIG. 7 is a bottom plan view thereof.
The portions in FIGS. 1-7 shown in broken lines are for illustrative purposes only and form no part of the claimed design.

1 Claim, 4 Drawing Sheets



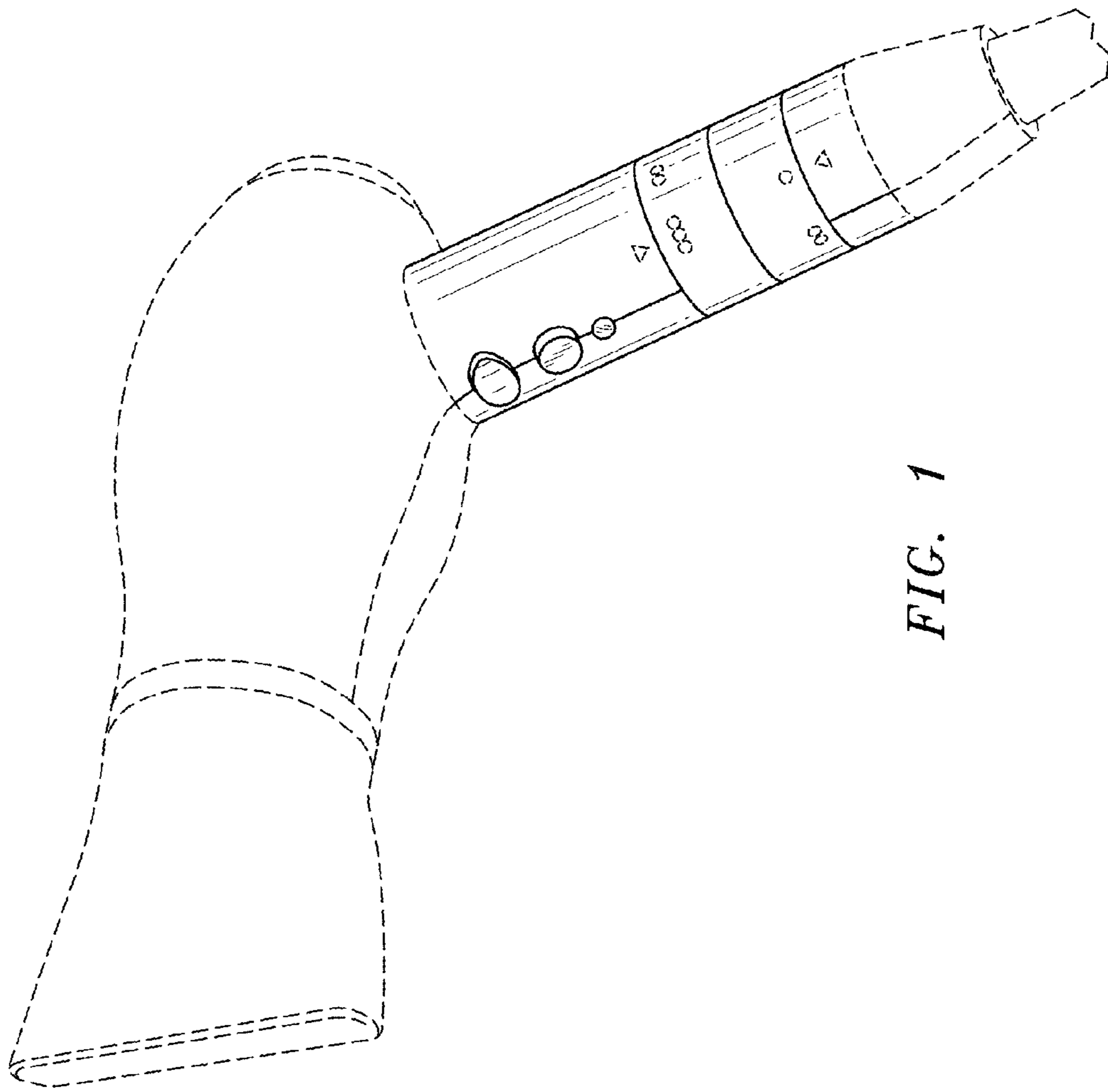


FIG. 1

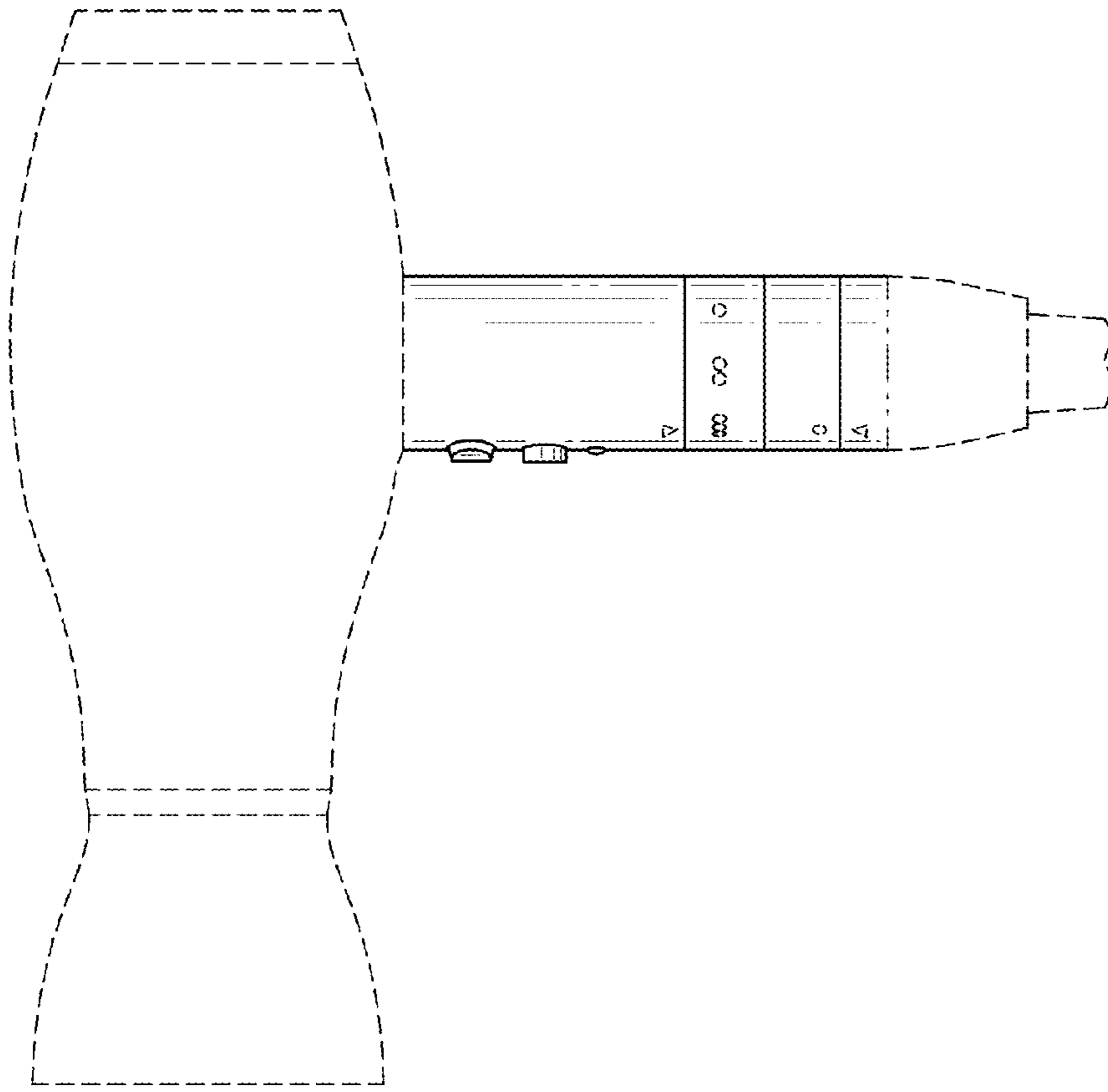


FIG. 3

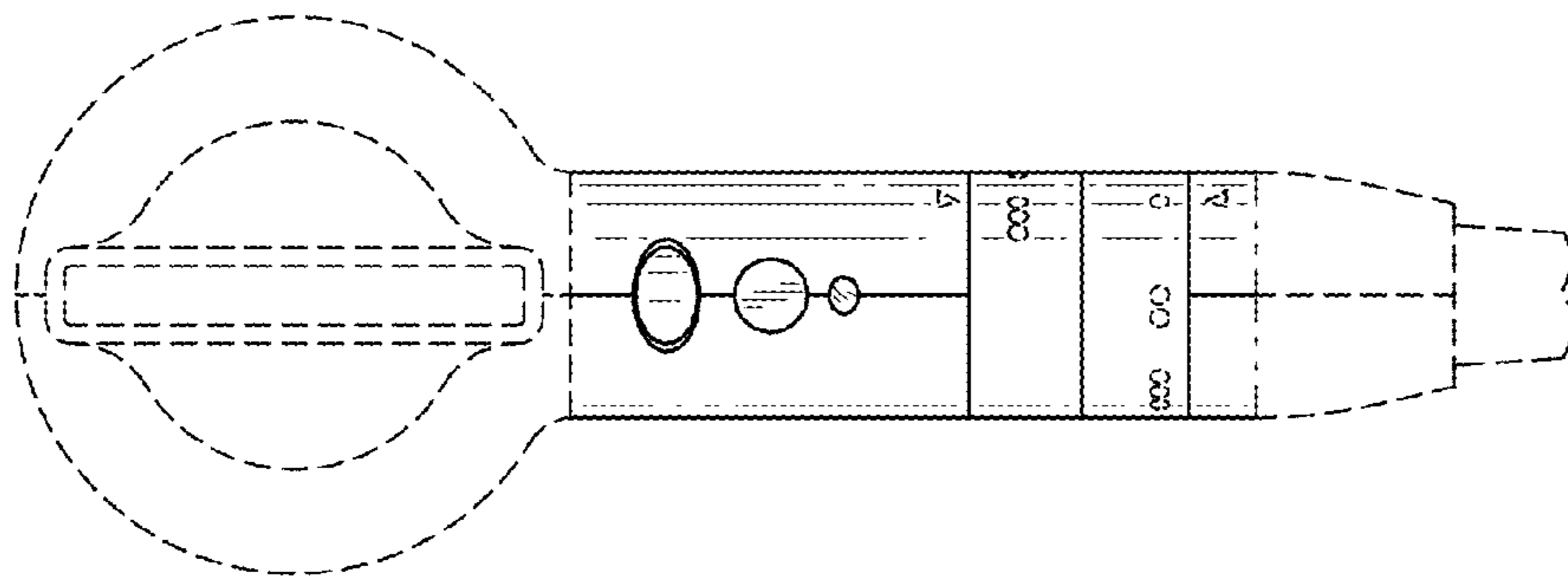


FIG. 2

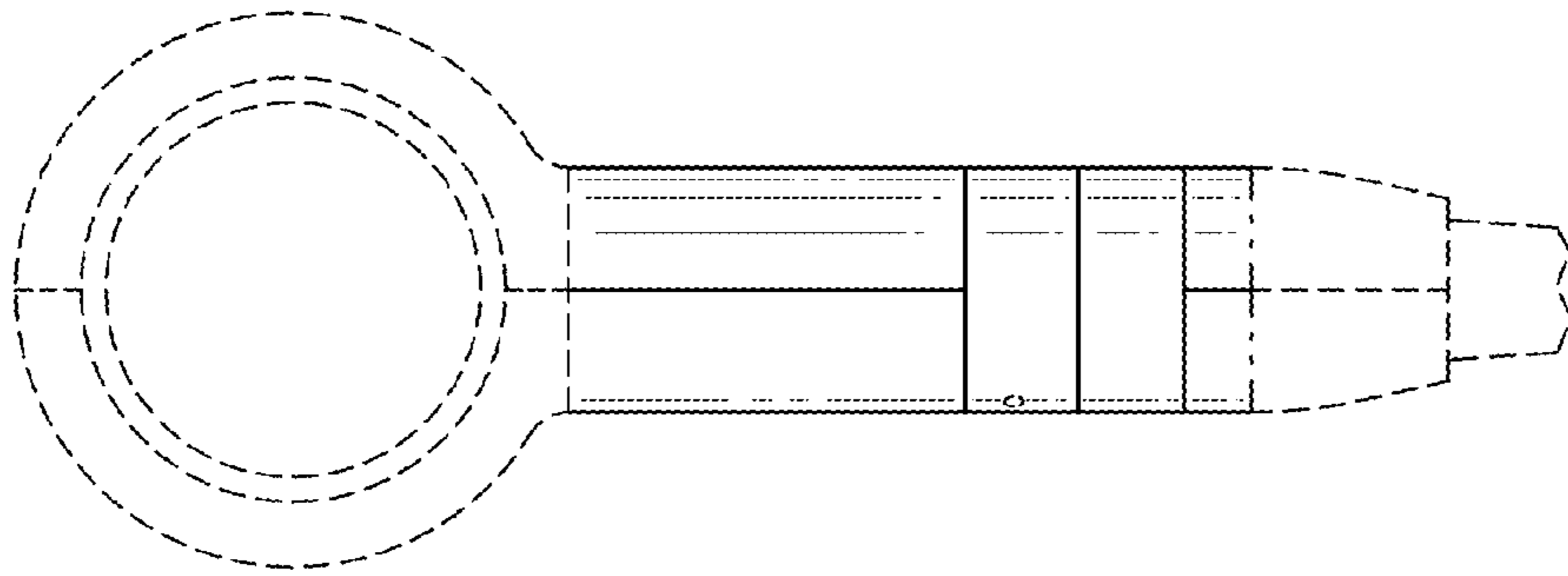


FIG. 5

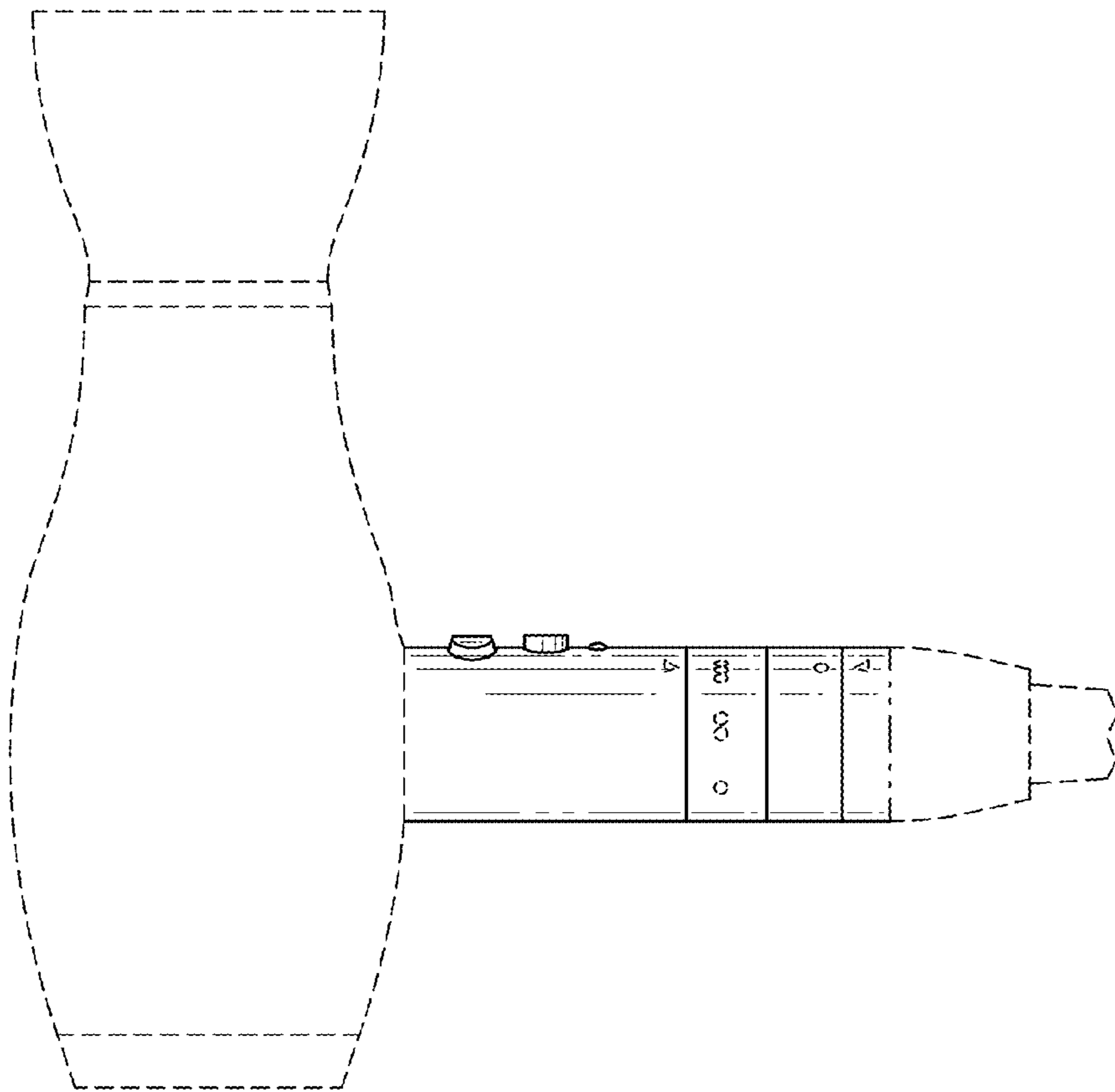


FIG. 4

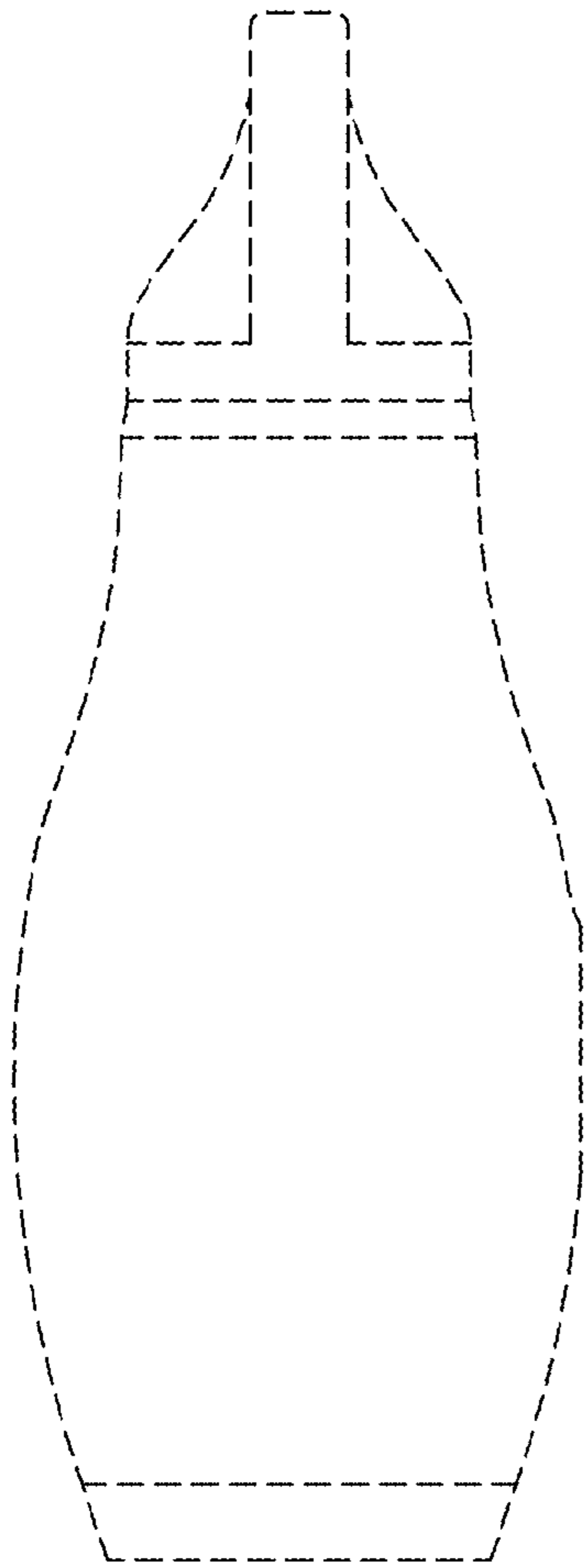


FIG. 6

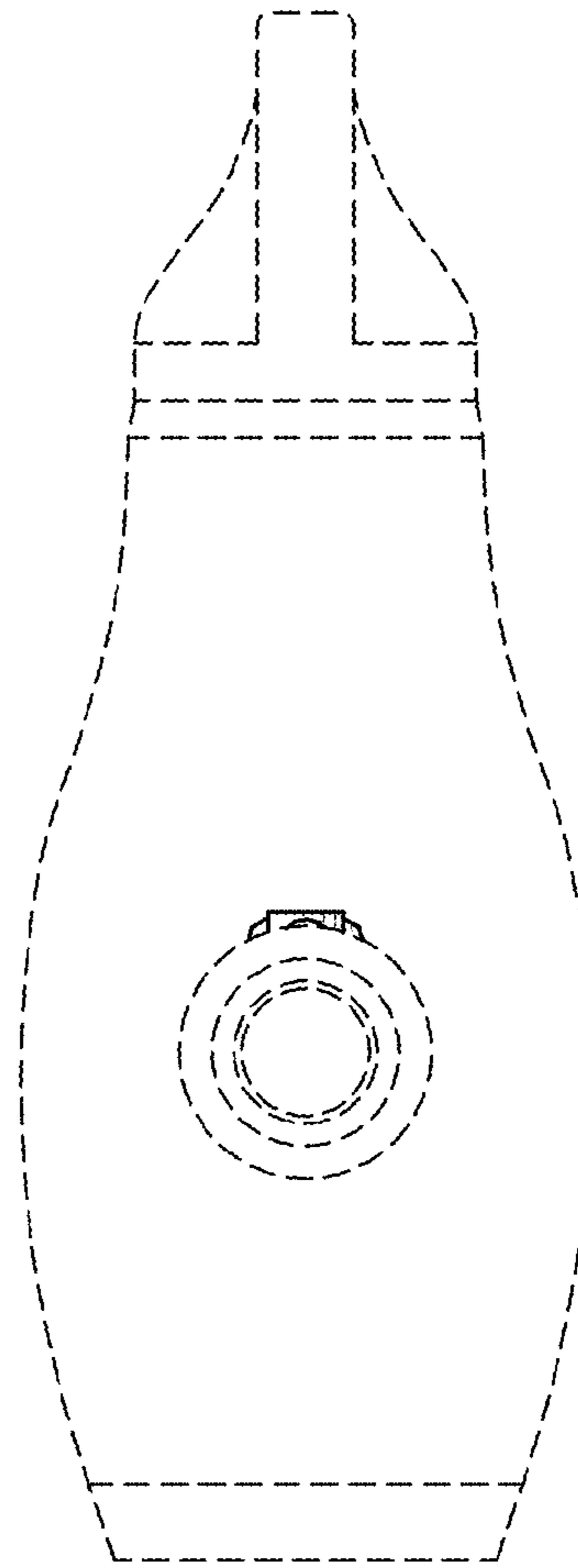


FIG. 7