



US00D753876S

(12) **United States Design Patent**
Parayo

(10) **Patent No.:** **US D753,876 S**
(45) **Date of Patent:** **** Apr. 12, 2016**

(54) **MAGNETIC TOBACCO ARTICLE RETAINER**

(71) Applicant: **Lenord Parayo**, Sacramento, CA (US)

(72) Inventor: **Lenord Parayo**, Sacramento, CA (US)

(**) Term: **14 Years**

(21) Appl. No.: **29/522,613**

(22) Filed: **Apr. 1, 2015**

(51) **LOC (10) Cl.** **27-06**

(52) **U.S. Cl.**
USPC **D27/183; D8/105**

(58) **Field of Classification Search**
USPC D27/172, 183, 192, 194; D8/105
CPC A24F 13/22; D06F 53/005
See application file for complete search history.

(56) **References Cited**

U.S. PATENT DOCUMENTS

- 2,052,741 A 9/1936 Bersted
- D105,527 S * 8/1937 Holder 131/259
- 3,756,252 A * 9/1973 Vigorito A24F 13/22
131/256
- 4,447,950 A 5/1984 Mizelle
- D311,600 S * 10/1990 Peracca D27/183
- D371,498 S * 7/1996 Lai D8/105
- 5,704,129 A 1/1998 Glesser
- 5,706,832 A * 1/1998 Gold A24F 13/22
131/240.1
- D400,298 S * 10/1998 Vignerot D27/183
- 5,819,750 A 10/1998 Moyer
- 5,842,481 A * 12/1998 King A24F 13/22
131/187
- 5,868,143 A * 2/1999 Nielsen A63B 55/408
131/175
- D406,386 S 3/1999 Kuniandy et al.
- 6,022,280 A * 2/2000 Arenburg A24F 13/22
473/286
- 6,341,609 B1 1/2002 Morris
- 6,363,941 B1 * 4/2002 Combs A24F 13/22
131/187
- 6,530,510 B2 3/2003 Ferrari

- 7,387,127 B1 6/2008 Braun
- D626,285 S * 10/2010 Adame D27/183
- D645,722 S * 9/2011 Yamaguchi D8/105
- D648,891 S * 11/2011 Heger D27/161
- D648,892 S * 11/2011 Cordova D27/183
- D661,015 S * 5/2012 Logue D27/172
- D663,476 S * 7/2012 Kelly D27/183
- D700,396 S * 2/2014 Ahmet D27/161
- 8,757,168 B2 6/2014 Wills
- D716,633 S * 11/2014 Weddington D27/163
- 8,905,039 B2 * 12/2014 Miller A24F 13/22
131/187
- D730,573 S * 5/2015 Shields, Sr. D27/183

(Continued)

FOREIGN PATENT DOCUMENTS

- WO WO9744165 11/1997
- WO WO9942008 8/1999

Primary Examiner — Susan Bennett Hattan

Assistant Examiner — Janice Hallmark

(74) *Attorney, Agent, or Firm* — Goldstein Law Offices, P.C.

(57) **CLAIM**

The ornamental design for a magnetic tobacco article retainer, as shown and described.

DESCRIPTION

FIG. 1 is a perspective view of the magnetic tobacco article retainer.

FIG. 2 is a front elevational view thereof

FIG. 3 is a rear elevational view thereof.

FIG. 4 is a top plan view thereof.

FIG. 5 is a bottom plan view thereof.

FIG. 6 is a right side elevational view thereof.

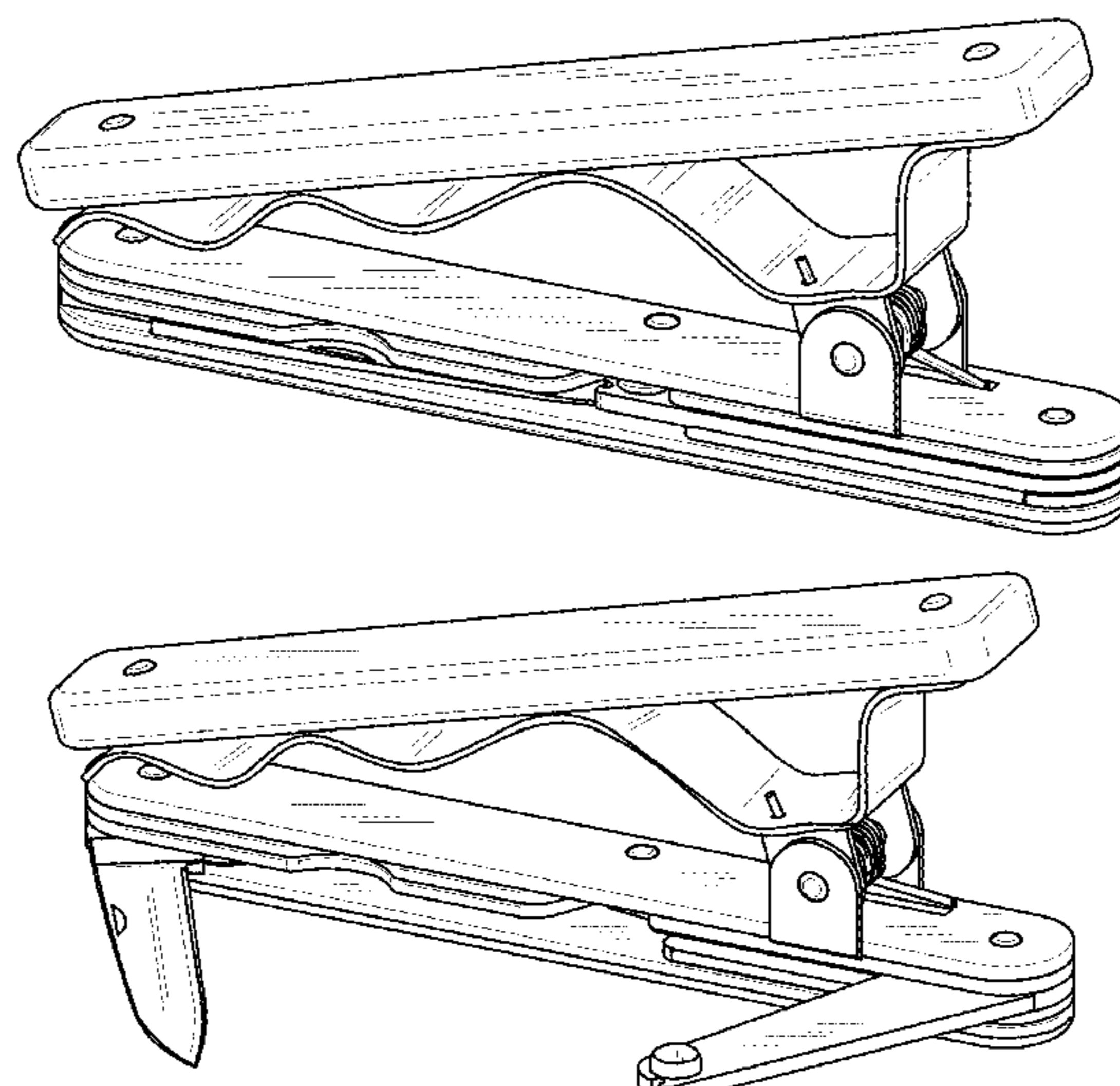
FIG. 7 is a left side elevational view thereof.

FIG. 8 is a second alternate perspective view thereof shown with environment; and,

FIG. 9 is a third alternate perspective view thereof.

The broken lines in the drawings depict environmental subject matter only that forms no part of the claimed design.

1 Claim, 6 Drawing Sheets



(56)

References Cited

U.S. PATENT DOCUMENTS

D731,706 S * 6/2015 Wilson D27/192
2004/0023733 A1* 2/2004 Tumnillo A63B 57/50
473/406
2007/0235047 A1* 10/2007 Long A24F 13/22
131/240.1

2009/0032035 A1* 2/2009 Thorpe A24F 13/22
131/257
2011/0253154 A1 10/2011 Dolciato
2014/0060551 A1* 3/2014 Zilka A24F 13/22
131/260
2015/0064633 A1* 3/2015 Dominguez F23Q 2/32
431/253

* cited by examiner

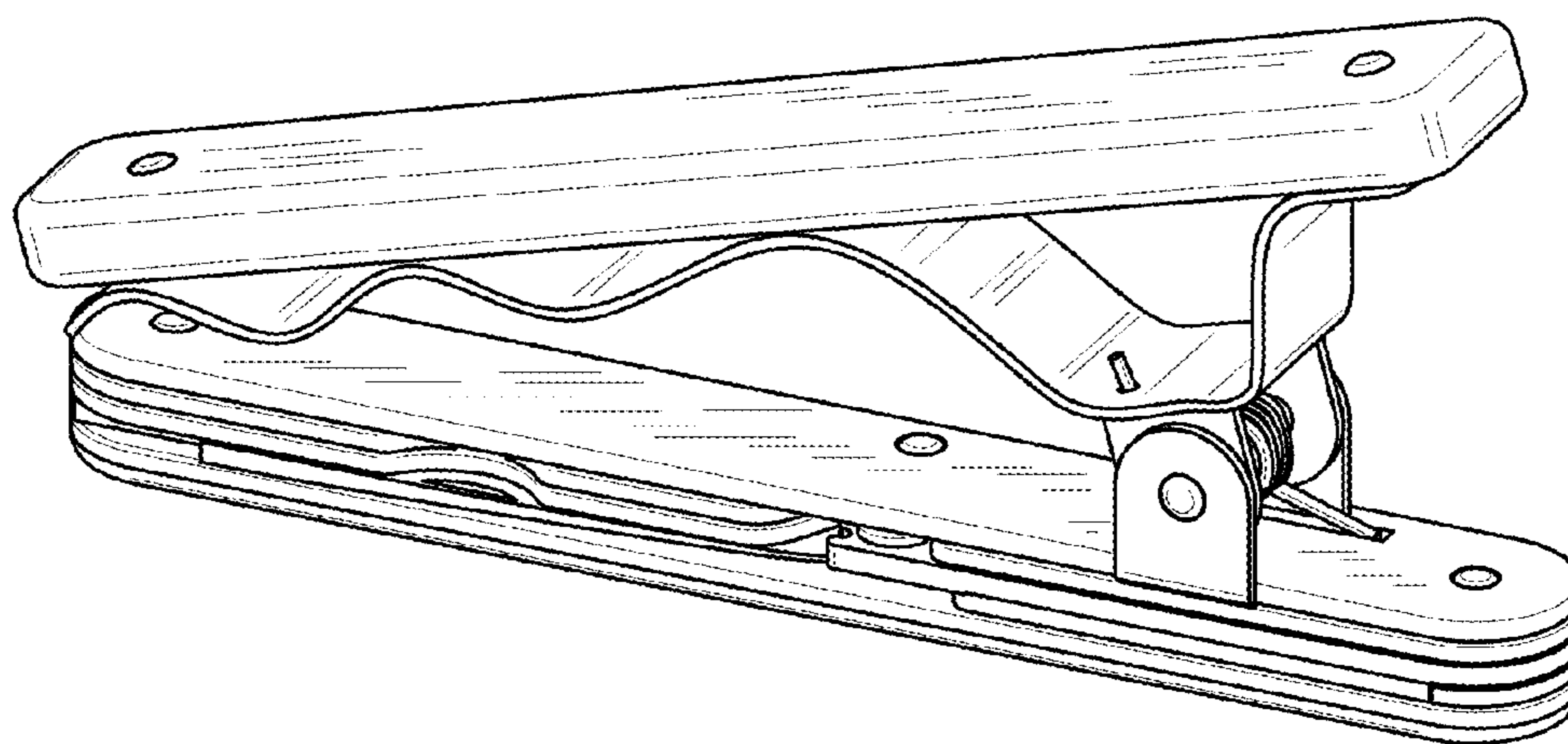


FIG. 1

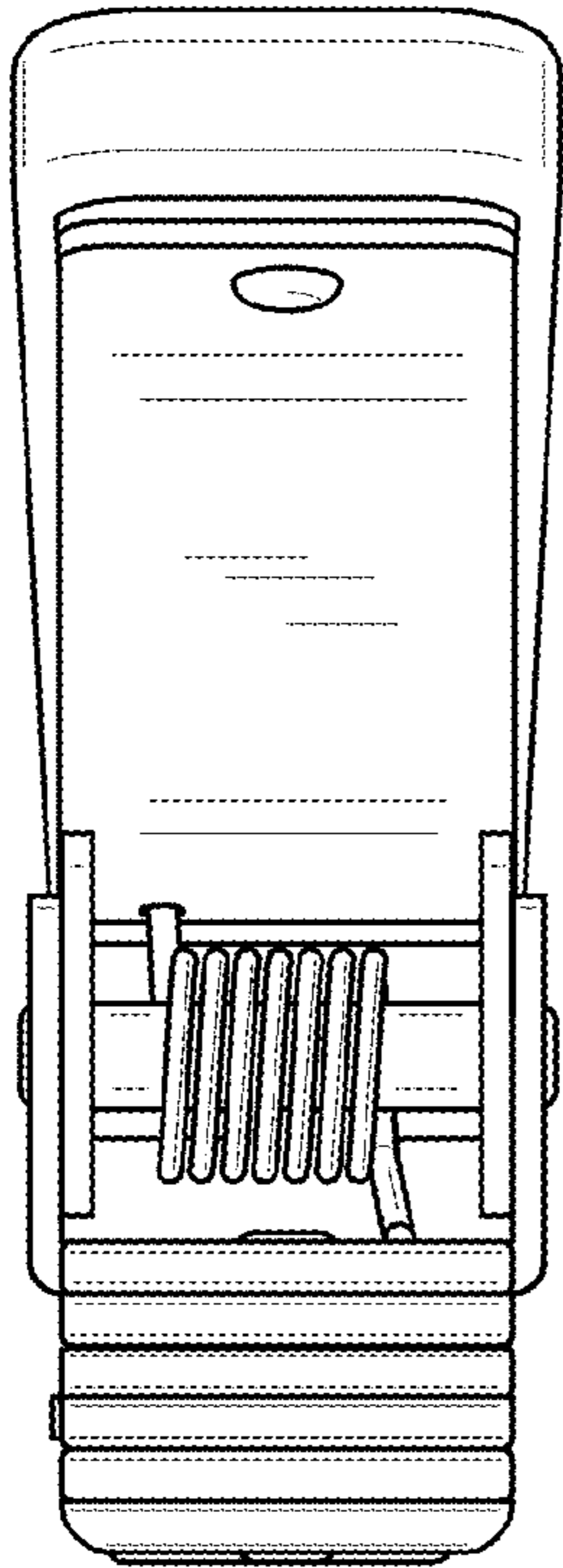


FIG. 2

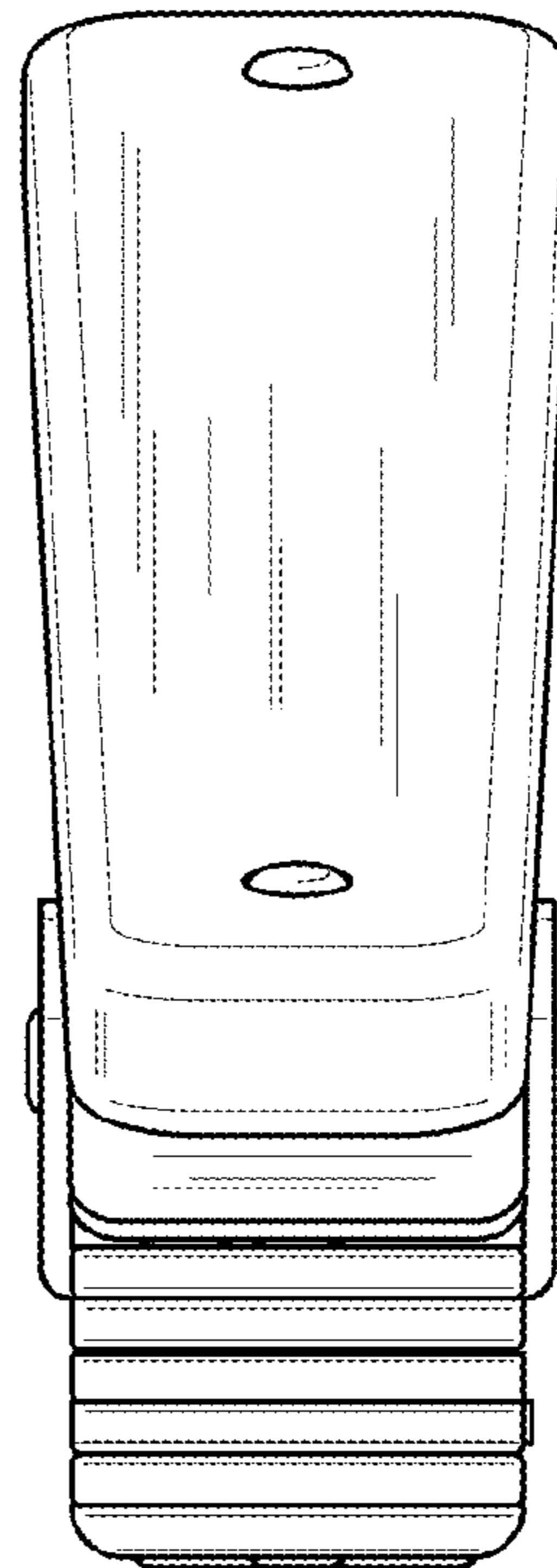


FIG. 3

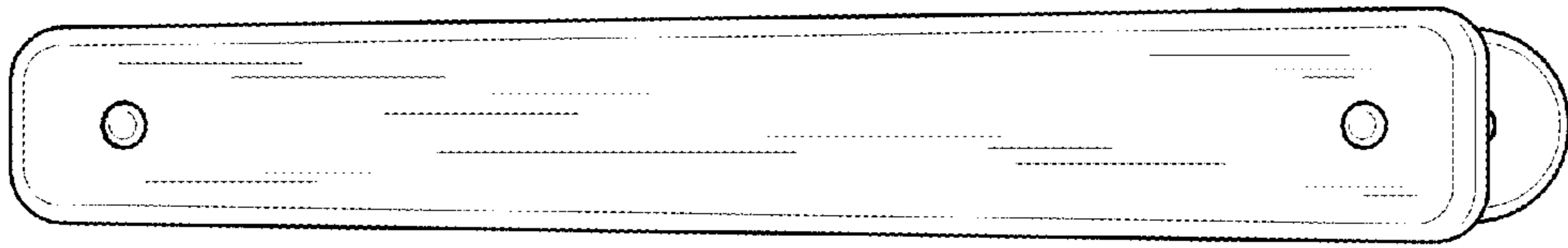


FIG. 4

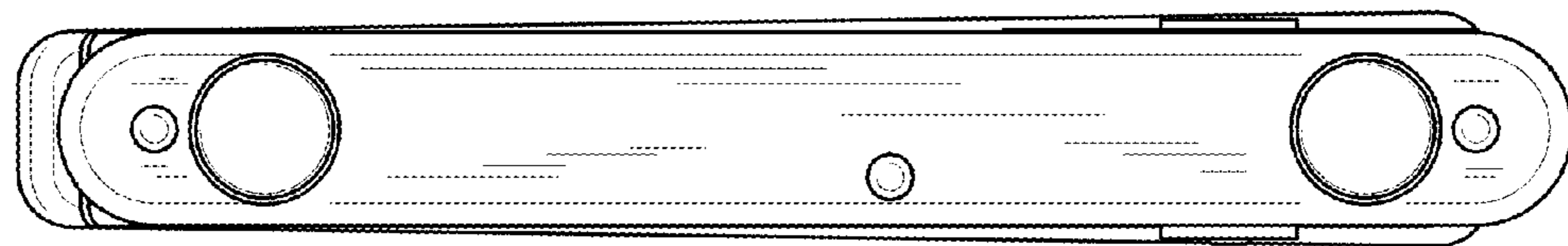


FIG. 5

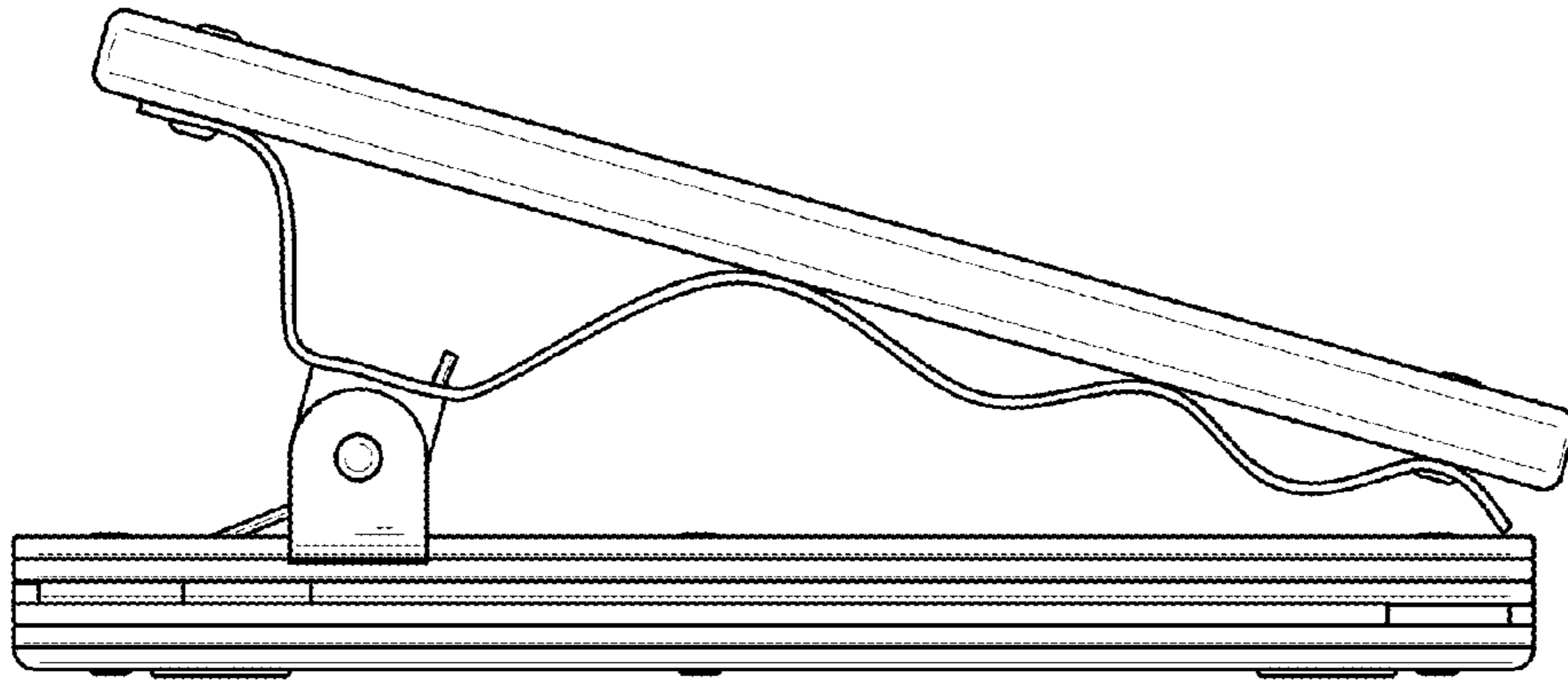


FIG. 6

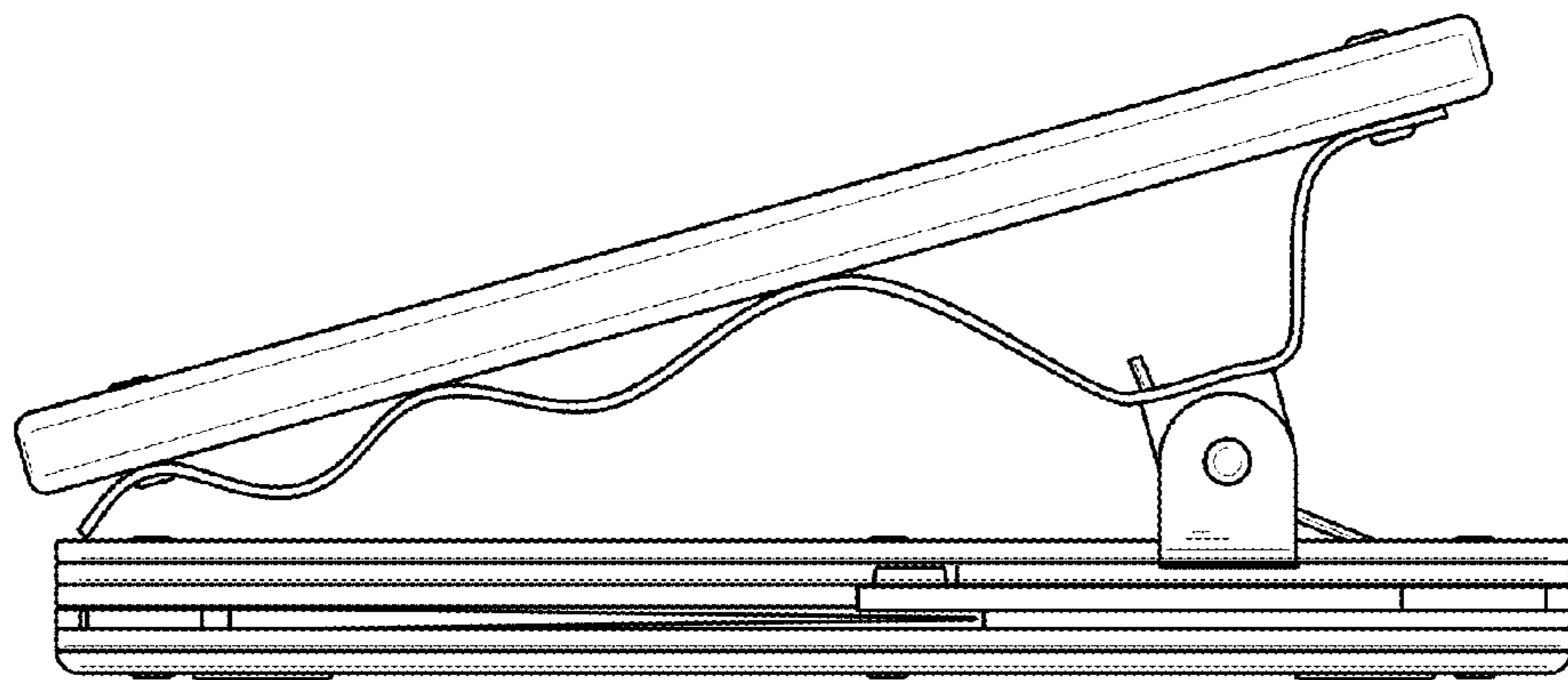


FIG. 7

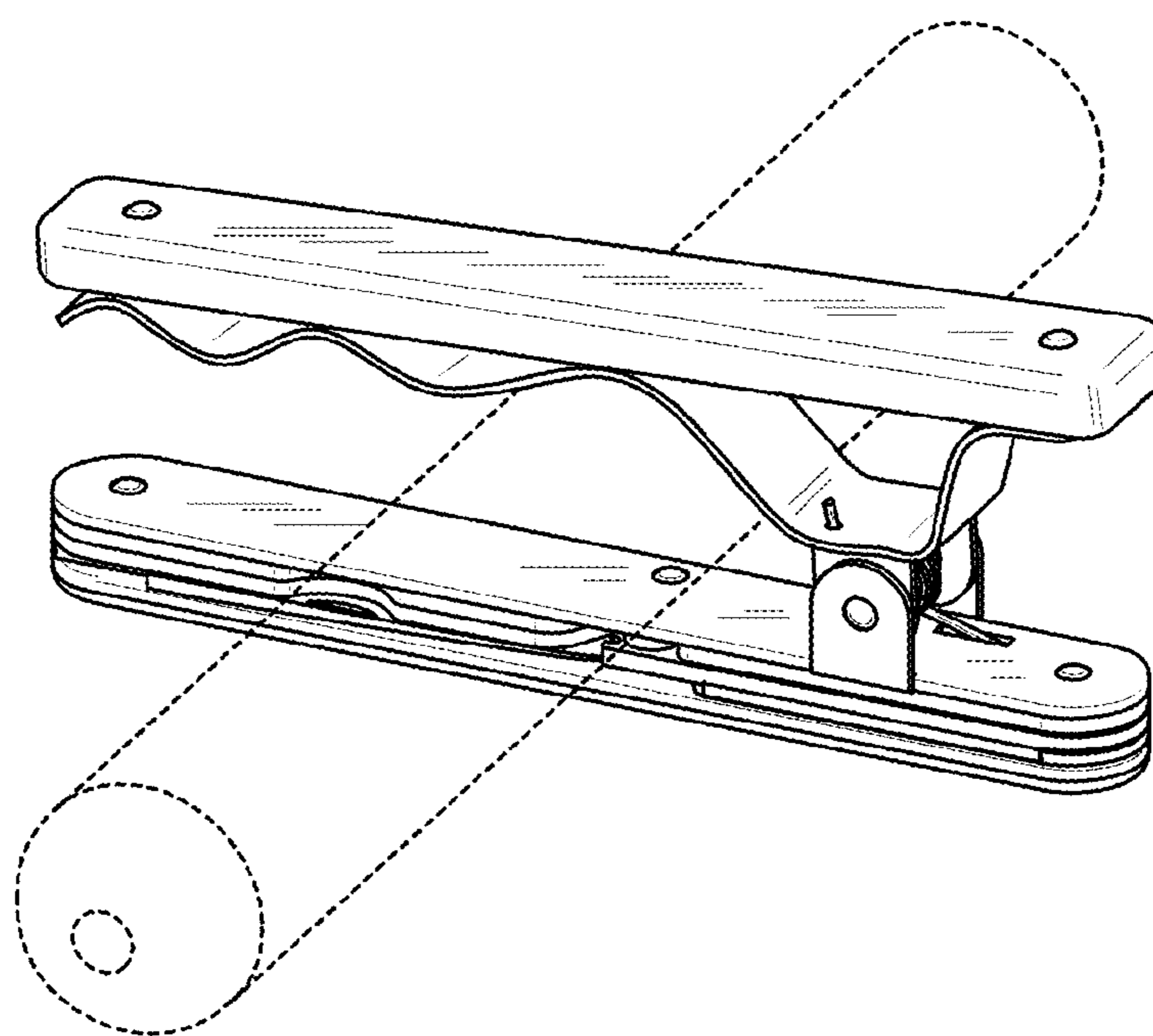


FIG. 8

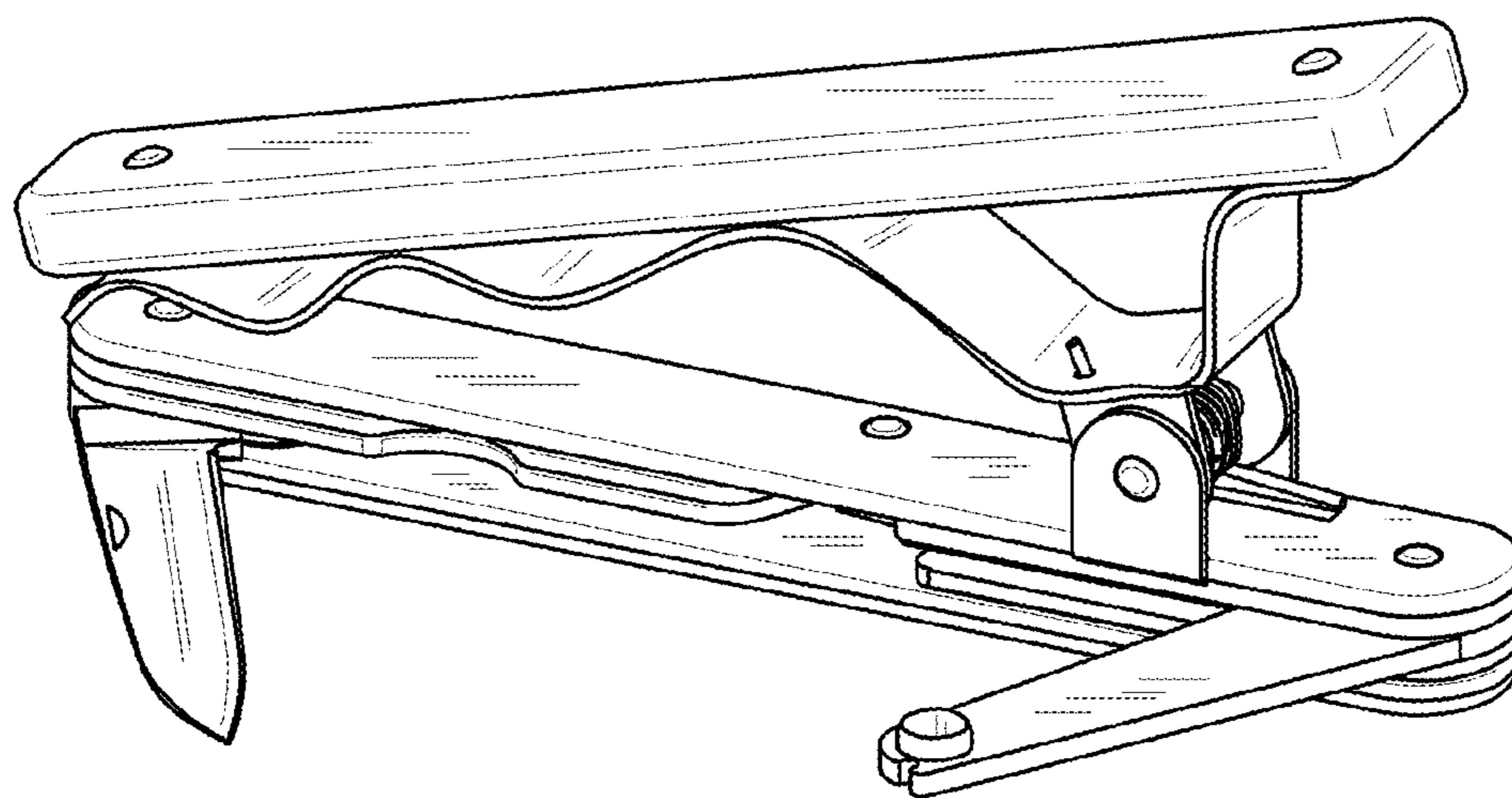


FIG. 9