

US00D753873S

(12) **United States Design Patent**
Schuessler

(10) **Patent No.:** **US D753,873 S**
(45) **Date of Patent:** **** Apr. 12, 2016**

(54) **ELECTRONIC CIGARETTE**

(71) Applicant: **ProVape Incorporated**, Monroe, WA
(US)
(72) Inventor: **Philipp K. Schuessler**, Woodinville, WA
(US)
(73) Assignee: **ProVape Incorporated**, Monroe, WA
(US)

(**) Term: **14 Years**

(21) Appl. No.: **29/498,799**

(22) Filed: **Aug. 7, 2014**

(51) **LOC (10) Cl.** **27-01**

(52) **U.S. Cl.**
USPC **D27/101**

(58) **Field of Classification Search**
USPC D27/100, 101, 162, 165, 194; D9/549,
D9/564, 567; D28/4, 48, 68, 85, 88;
D24/110; 131/173, 174, 194, 220, 221,
131/222, 226, 227, 270, 271, 273, 328, 329,
131/330, 347, 360, 361
CPC A24F 1/02; A24F 1/04; A24F 1/06;
A24F 1/08; A24F 1/10; A24F 1/12; A24F
1/14; A24F 1/22; A24F 1/28; A24F 1/30;
A24F 9/16; A24F 25/00; A24F 47/00; A24F
47/002; A24F 47/004; A24F 47/006; A24F
47/008; A24B 1/00; A24D 1/00; A24D 1/04;
A24D 3/00

See application file for complete search history.

(56) **References Cited**

U.S. PATENT DOCUMENTS

D509,296 S *	9/2005	Minshull	D24/110
D724,264 S *	3/2015	Chambers	D27/101
D727,562 S *	4/2015	Li	D27/101
D731,112 S *	6/2015	Li	D27/101
2013/0333711 A1	12/2013	Liu	
2014/0123990 A1	5/2014	Timmermans	
2014/0202477 A1 *	7/2014	Qi	A24F 47/008 131/329

* cited by examiner

Primary Examiner — Rosemary K Tarcza
Assistant Examiner — Christy Nemeth
(74) *Attorney, Agent, or Firm* — Seed IP Law Group PLLC

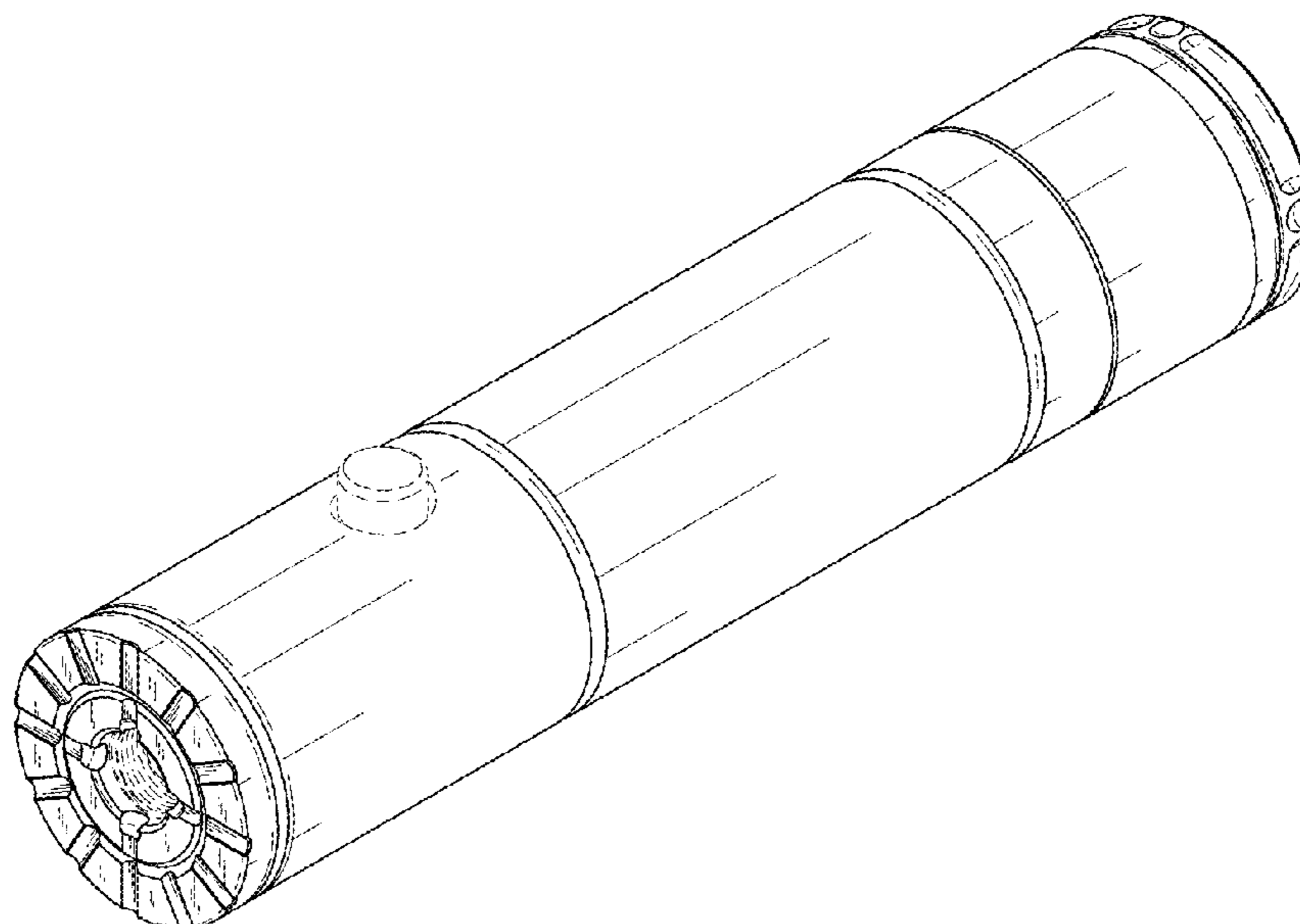
(57) **CLAIM**

The ornamental design for an electronic cigarette, as shown and described.

DESCRIPTION

FIG. 1 is an isometric view of an electronic cigarette showing my new design.
FIG. 2 is a front view thereof.
FIG. 3 is a rear view thereof.
FIG. 4 is a top view thereof.
FIG. 5 is a bottom view thereof.
FIG. 6 is a right plan view thereof; and,
FIG. 7 is a left plan view thereof.
In the drawings, the broken lines depict environmental structure and form no part of the claimed design.

1 Claim, 4 Drawing Sheets



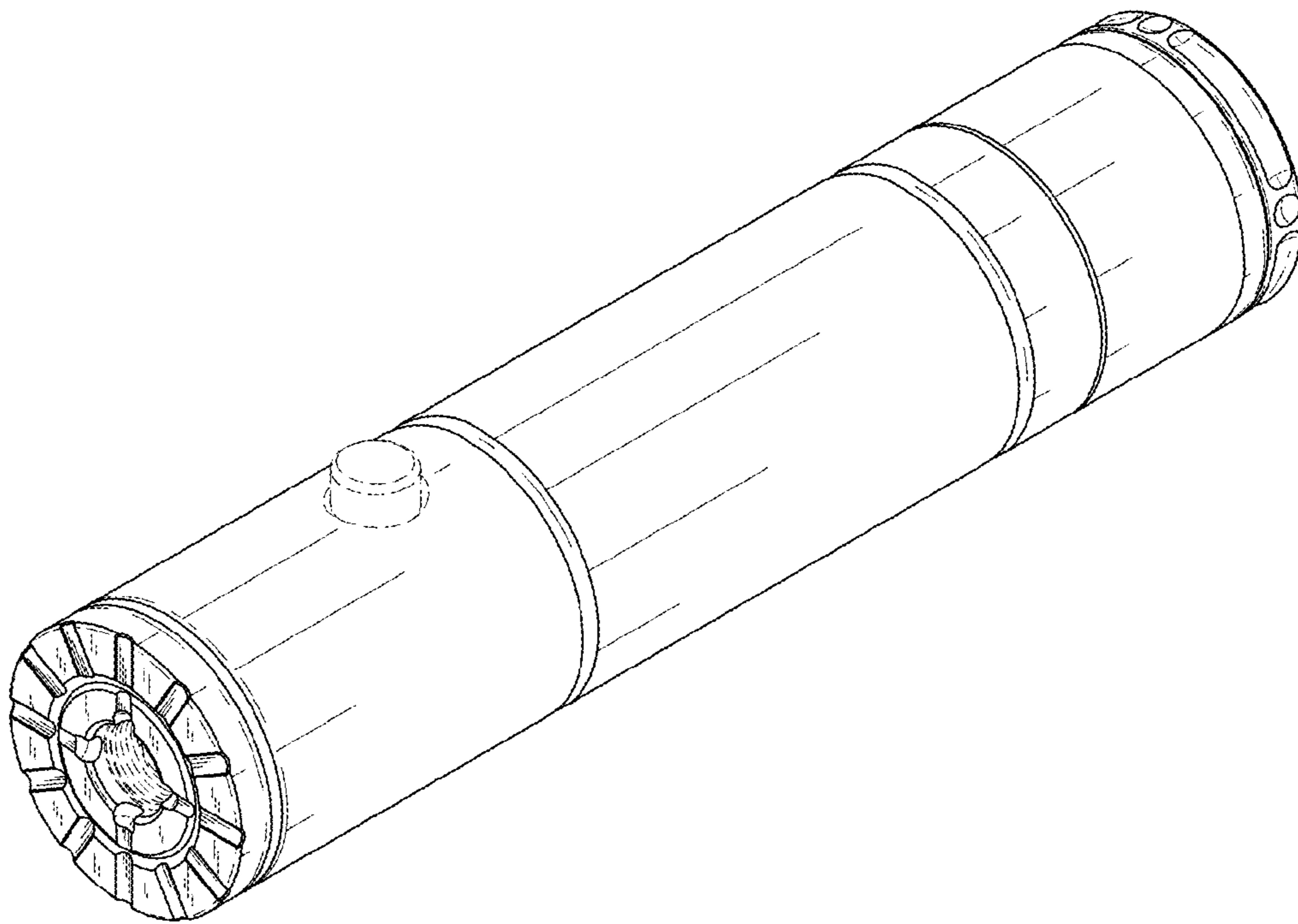


FIG. 1

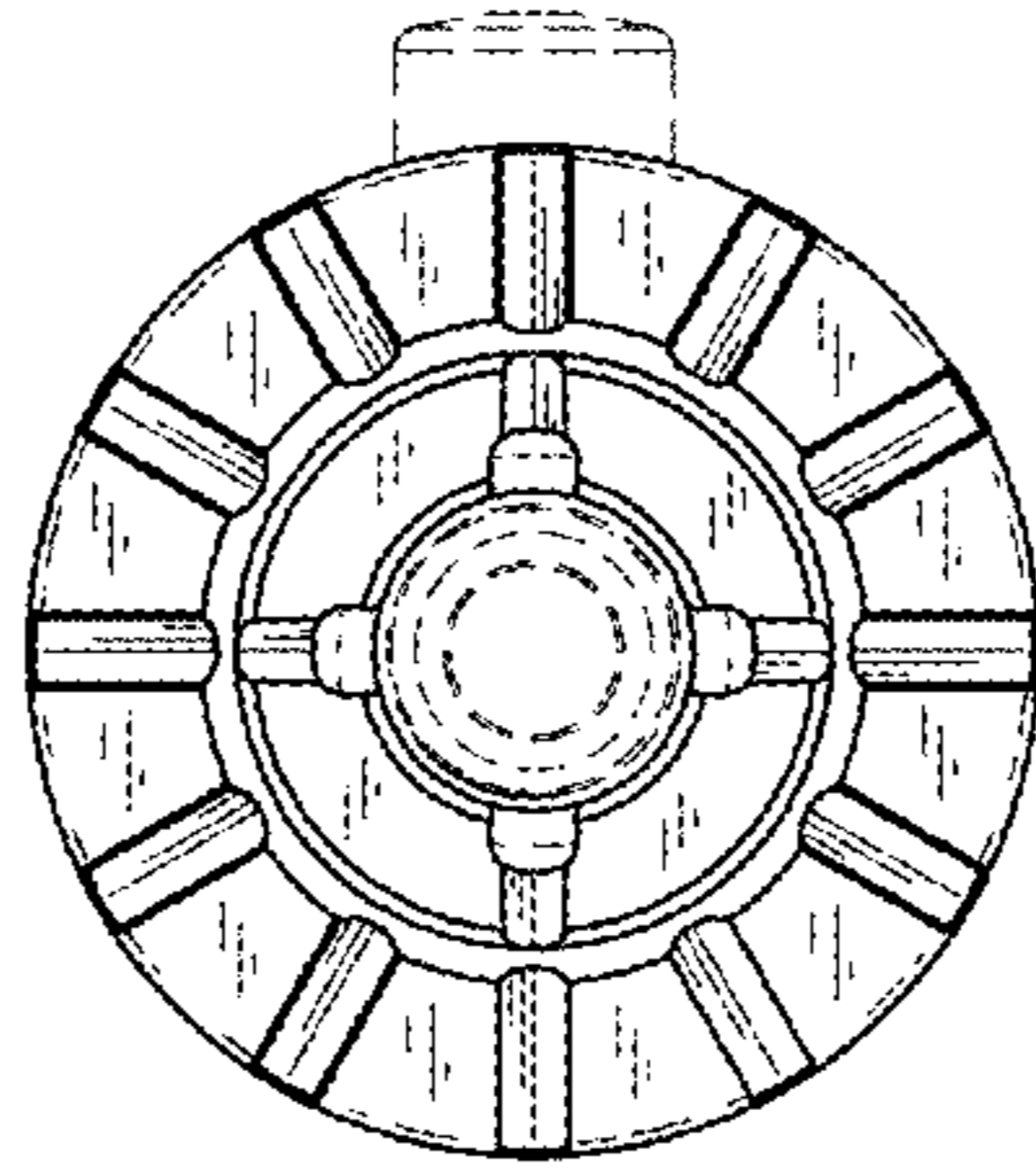


FIG. 2

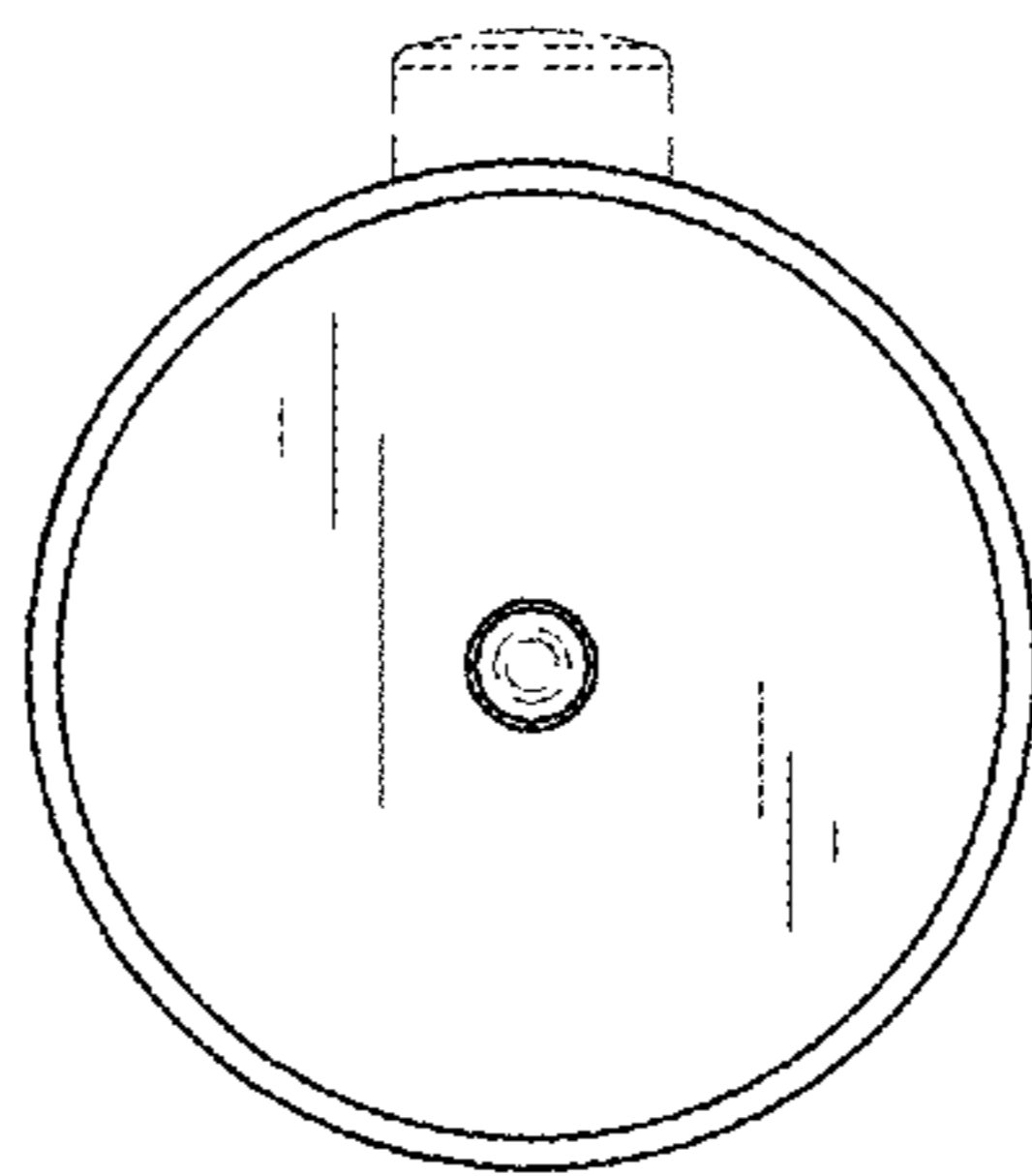


FIG. 3

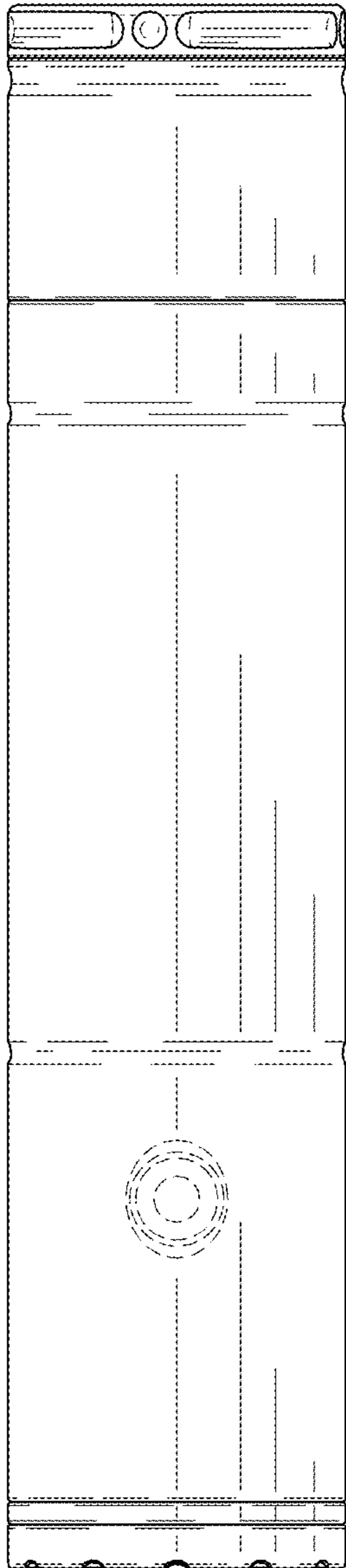


FIG. 4

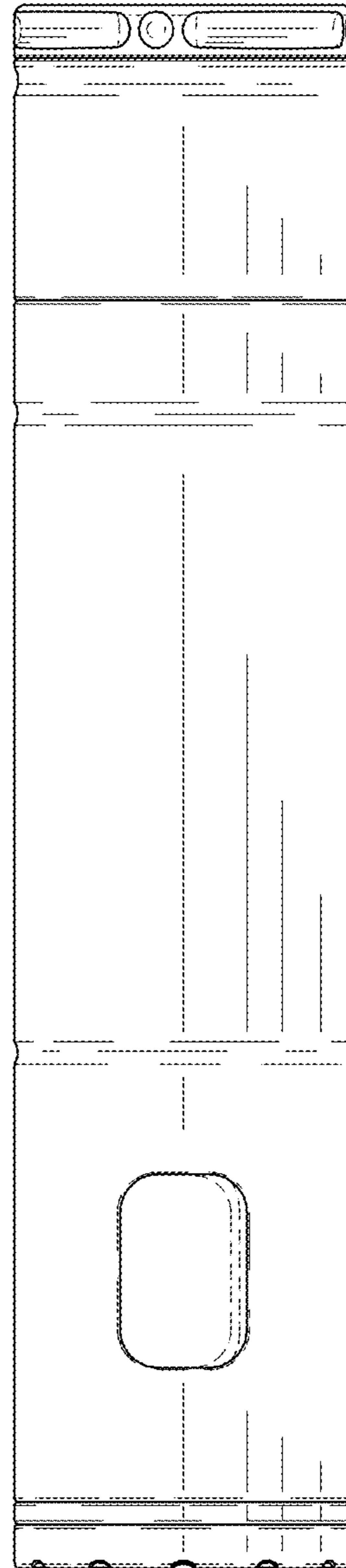


FIG. 5

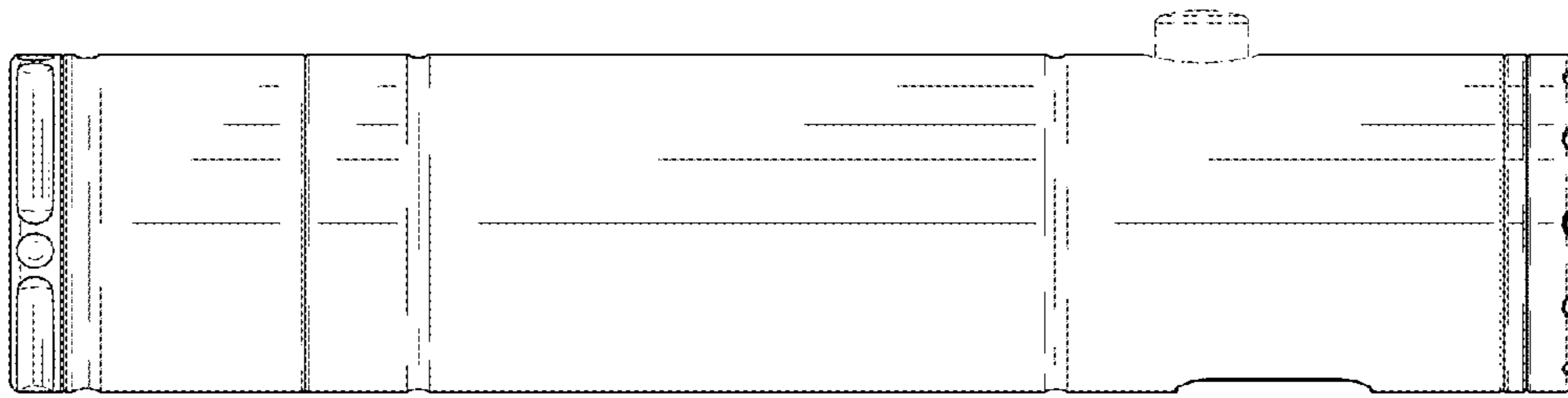


FIG. 6

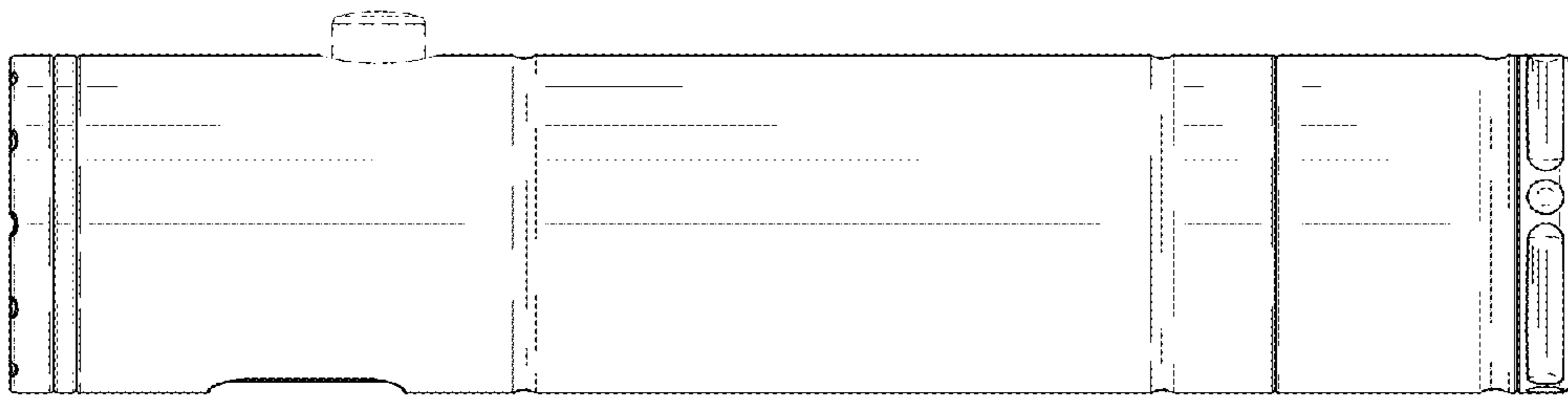


FIG. 7