



US00D753870S

(12) **United States Design Patent**
Wolff et al.

(10) **Patent No.:** **US D753,870 S**
(45) **Date of Patent:** **** Apr. 12, 2016**

(54) **VEHICLE DAYTIME RUNNING LAMP COVER**

- (71) Applicant: **Ford Motor Company**, Dearborn, MI (US)
- (72) Inventors: **Max Wolff**, Birmingham, MI (US);
Andrea Di Buduo, Birmingham, MI (US); **John Caswell**, Grosse Pointe, MI (US)
- (73) Assignee: **Ford Motor Company**, Dearborn, MI (US)
- (**) Term: **14 Years**
- (21) Appl. No.: **29/511,828**
- (22) Filed: **Dec. 15, 2014**
- (51) **LOC (10) Cl.** **26-99**
- (52) **U.S. Cl.**
USPC **D26/139**
- (58) **Field of Classification Search**
USPC D26/28-36, 139; 362/459-468,
362/475-478, 485-487
CPC F21S 48/00; F21S 48/10; F21S 48/115;
F21S 4/1233; F21S 48/1266; F21S 48/1388;
F21S 48/2268; F21V 21/04
See application file for complete search history.

(56) **References Cited**

U.S. PATENT DOCUMENTS

D421,817 S *	3/2000	Tucker	D26/139
D576,765 S *	9/2008	Song	D26/139
D595,895 S *	7/2009	Lamm	D26/139
D604,893 S *	11/2009	Woolley	D26/139
D608,498 S *	1/2010	Beigel	D26/139
D611,189 S *	3/2010	Elliott	D26/139

* cited by examiner

Primary Examiner — Marcus Jackson

(74) *Attorney, Agent, or Firm* — Damian Porcari

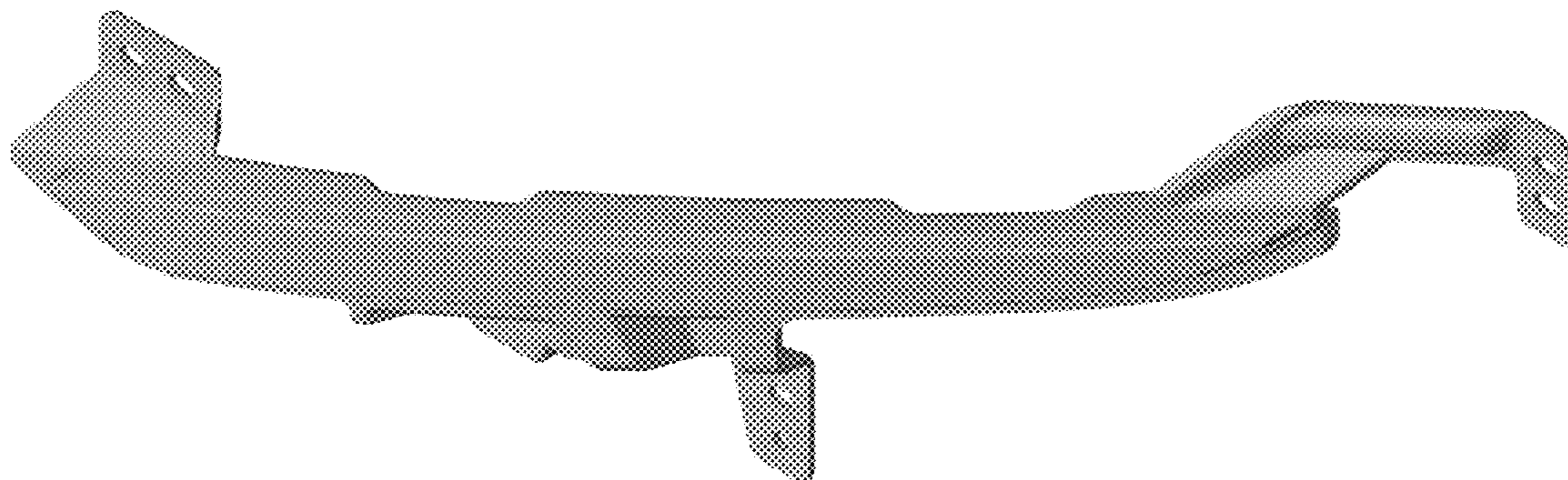
(57) **CLAIM**

The ornamental design for a vehicle daytime running lamp cover, as shown and described.

DESCRIPTION

FIG. 1 is a top front perspective view of the left vehicle daytime running lamp cover (the right vehicle daytime running lamp cover being a mirror image and is not shown); FIG. 2 is a bottom front perspective view thereof; FIG. 3 is a top rear perspective view thereof; FIG. 4 is a front elevational view thereof; FIG. 5 is a rear elevational view thereof; FIG. 6 is a left side elevational view thereof; FIG. 7 is a right side elevational view thereof; FIG. 8 is a top plan view thereof; and, FIG. 9 is a bottom plan view thereof.

1 Claim, 9 Drawing Sheets



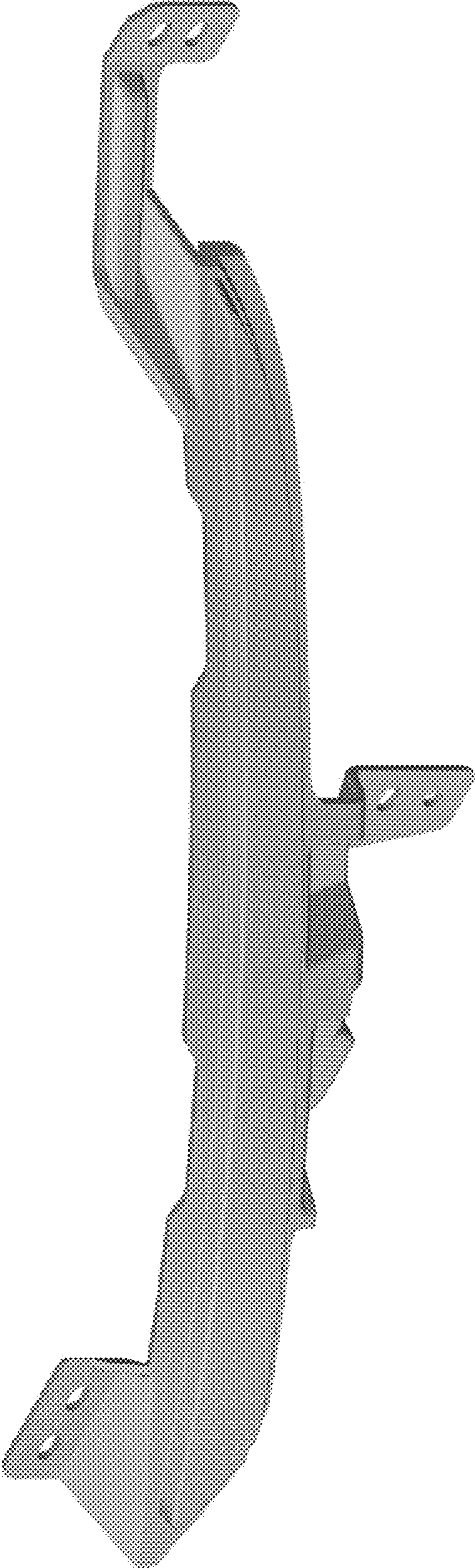


Figure 1

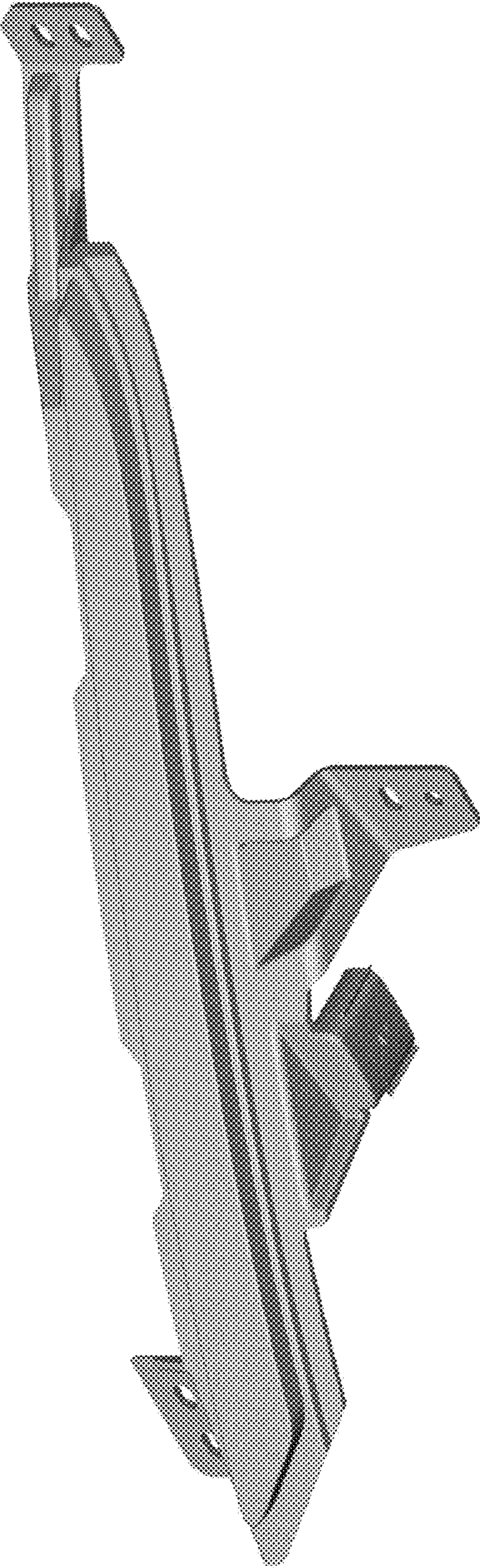


Figure 2

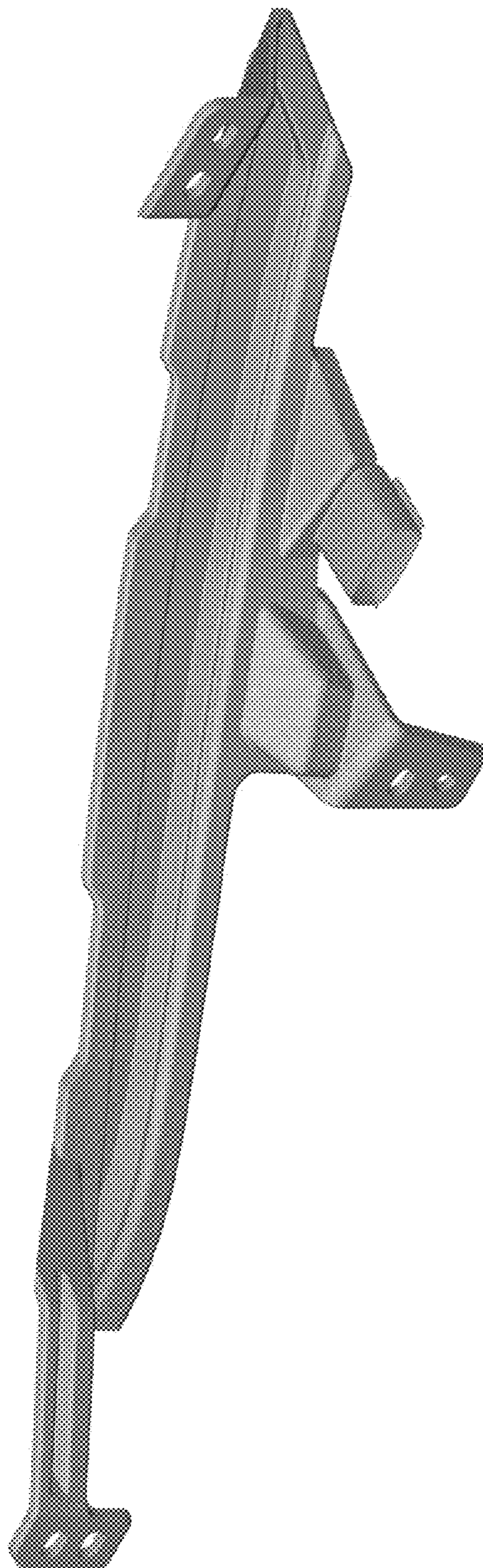


Figure 3

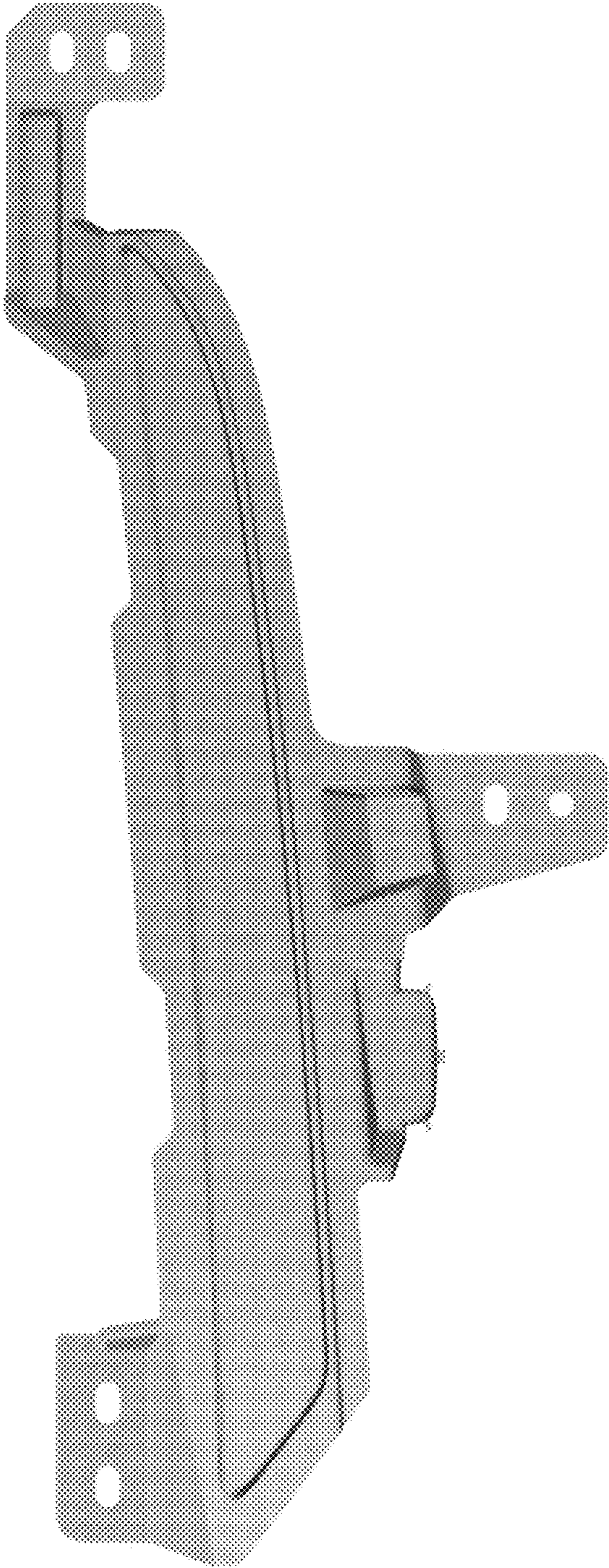


Figure 4

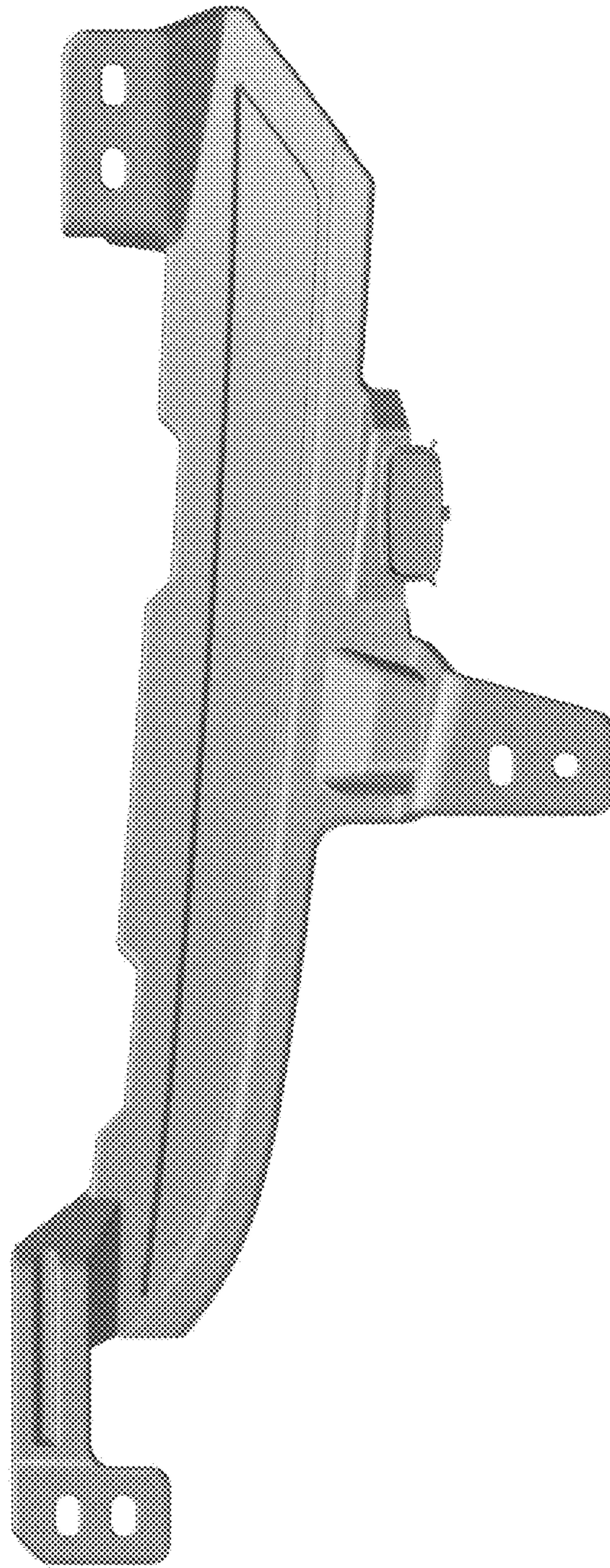


Figure 5

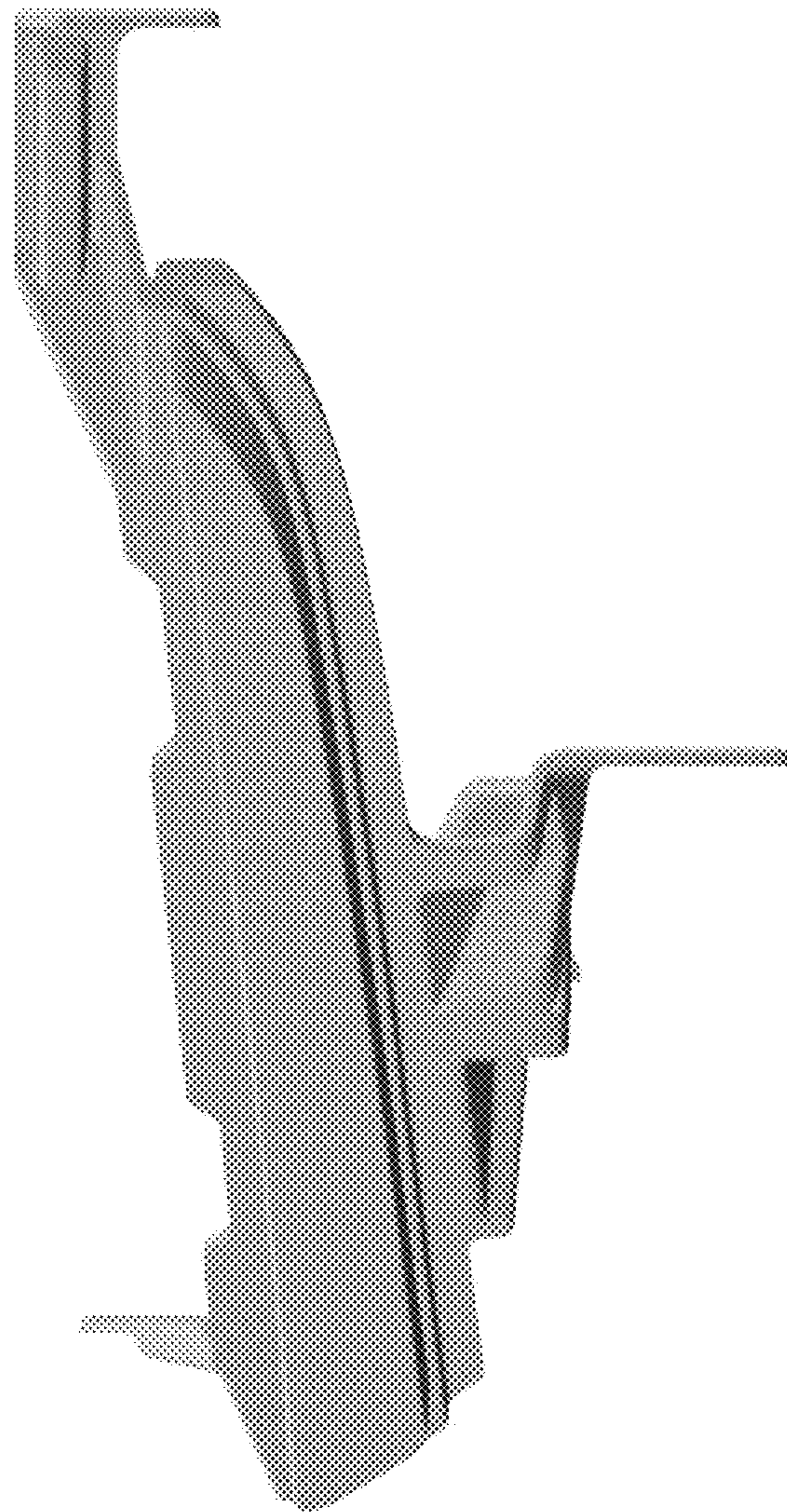


Figure 6

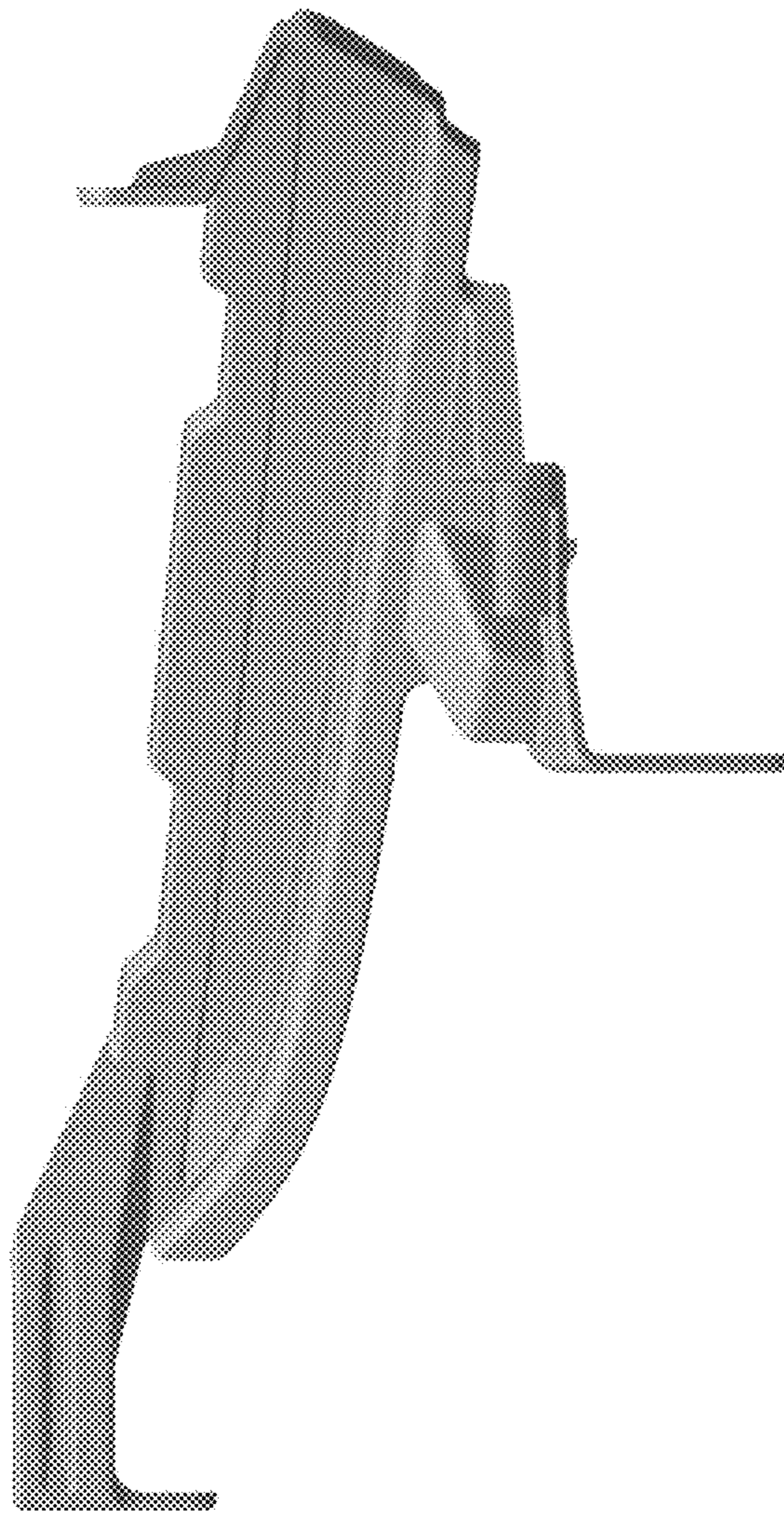


Figure 7

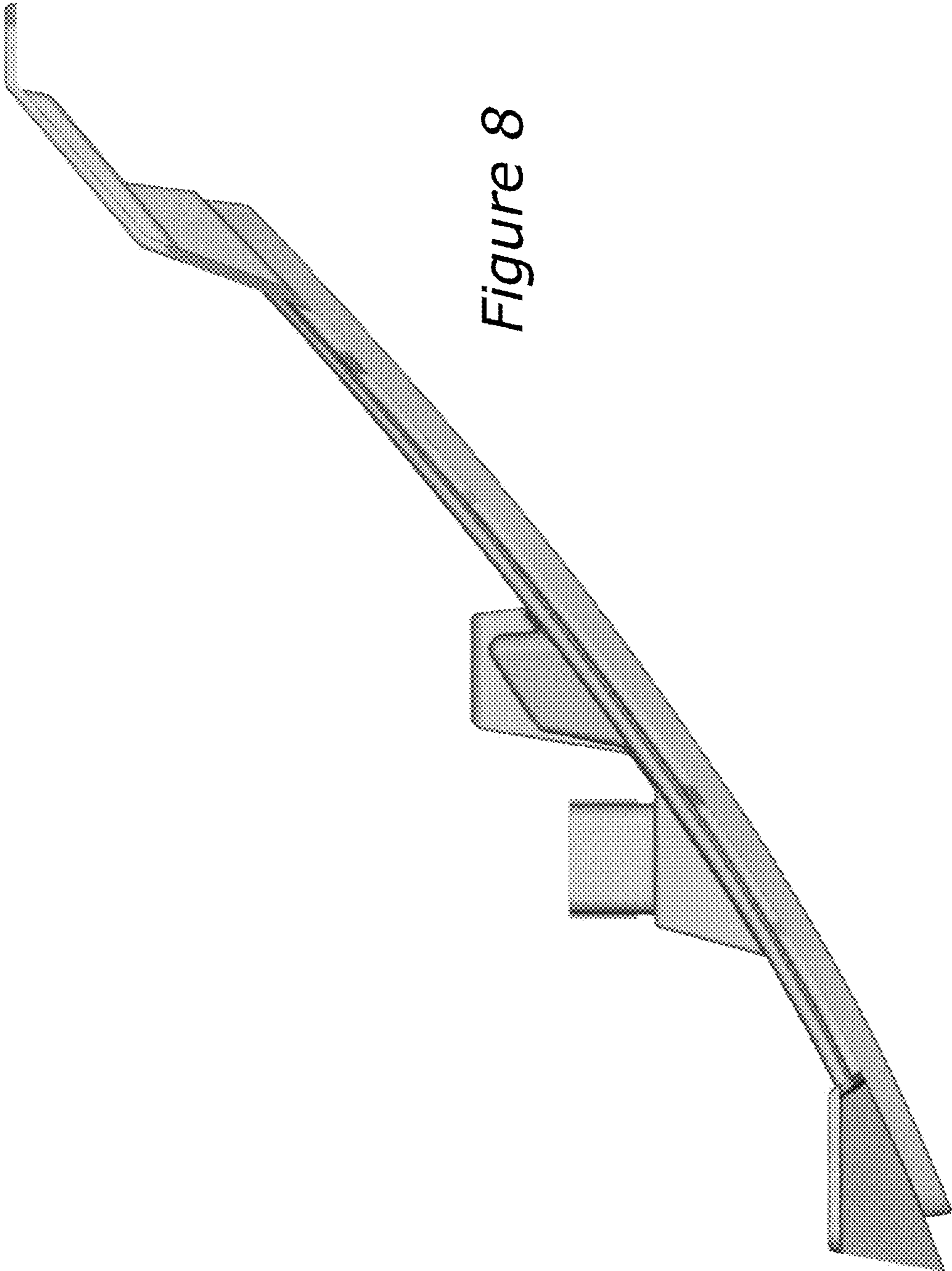


Figure 8

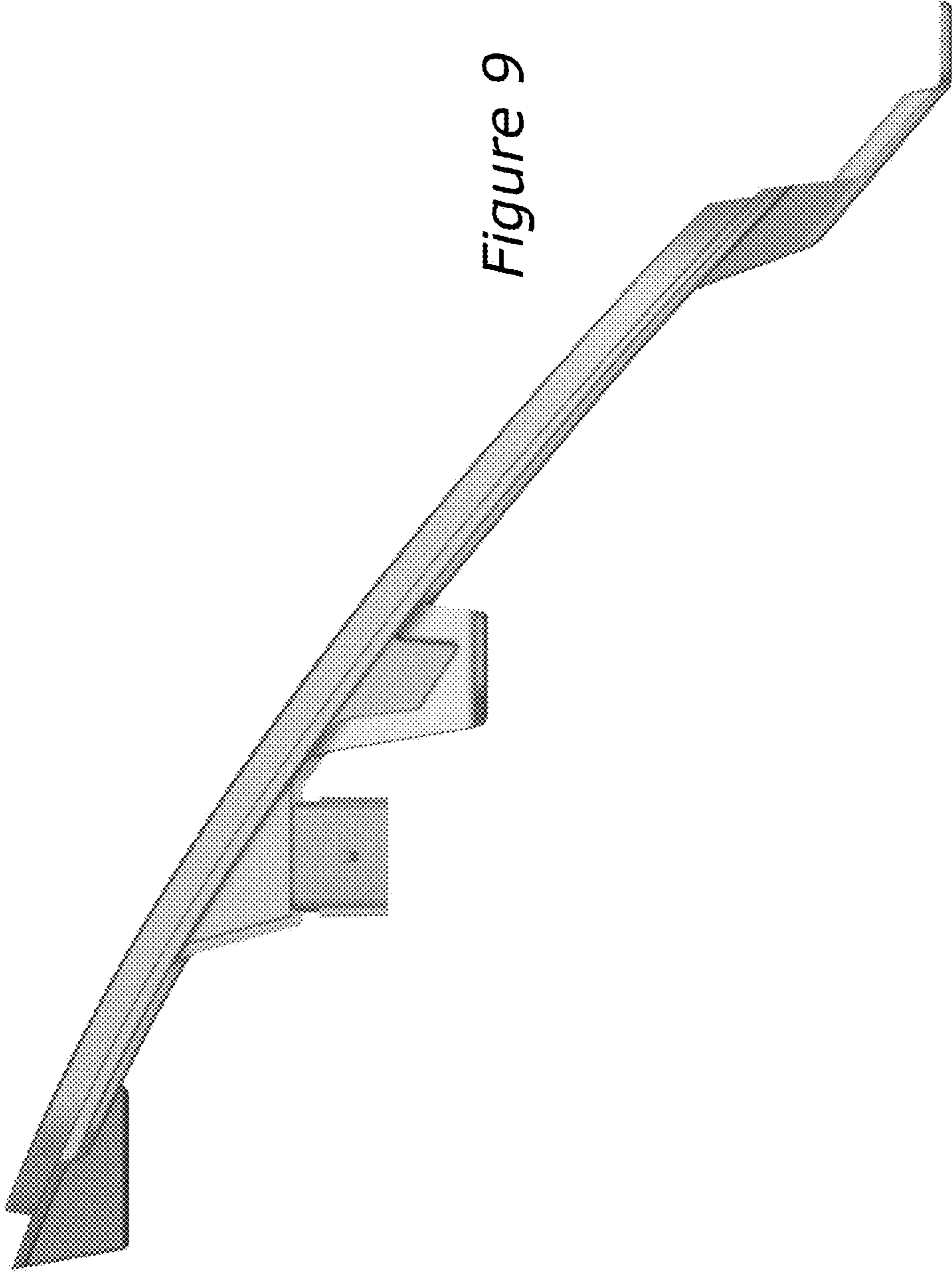


Figure 9