



US00D753868S

(12) **United States Design Patent**
Smith et al.

(10) **Patent No.:** **US D753,868 S**
(45) **Date of Patent:** **** Apr. 12, 2016**

- (54) **ILLUMINATING DEVICE**
- (71) Applicant: **SOL-LIGHT, LLC**, Las Vegas, NV (US)
- (72) Inventors: **John Smith**, San Francisco, CA (US);
David Nelson, Las Vegas, NV (US);
Wai-Ming Law, Yuen Long (HK)
- (73) Assignee: **Sol-Light, LLC.**, Las Vegas, NV (US)
- (**) Term: **14 Years**
- (21) Appl. No.: **29/520,739**
- (22) Filed: **Mar. 17, 2015**
- (51) **LOC (10) Cl.** **26-99**
- (52) **U.S. Cl.**
USPC **D26/118**
- (58) **Field of Classification Search**
USPC D26/2, 28, 72, 89, 113, 118, 119, 120,
D26/122, 124, 128, 138, 142, 143, 145, 60;
D13/180
CPC F41C 27/00; F41C 33/0254; G02B 5/045;
G02B 5/189; F21S 8/00; F21S 8/03; F21S
8/026; F21S 8/02; F21S 8/003; F21S 8/043;
F21S 8/06; F21S 8/04; F21V 7/005; F21V
15/01; F21V 15/04; F21V 25/00; G02F
2001/133607; F21Y 2103/00
See application file for complete search history.

(56) **References Cited**

U.S. PATENT DOCUMENTS

- 1,840,098 A * 1/1932 Hobson B61L 5/1845
246/1 C
- 2,212,048 A * 8/1940 Russell B60Q 1/24
362/424
- 2,271,836 A * 2/1942 Francis F21V 3/00
362/344
- 2,571,375 A * 10/1951 Morgenstern B60Q 1/0483
362/374
- 2,629,044 A * 2/1953 Marfisi G09F 13/00
181/141
- D260,299 S * 8/1981 D'Ercoli D26/63

D329,098 S * 9/1992 Lu D26/62
(Continued)

OTHER PUBLICATIONS

Flexible LED Reading Light, image post date 1199, site visited Nov. 13, 2015, (online), <http://www.alibaba.com/product-detail/Flexible-LED-Reading-Light-Clamp-LED_60160096647.html>.*
(Continued)

Primary Examiner — Kevin Rudzinski

Assistant Examiner — Sean D Lough

(74) *Attorney, Agent, or Firm* — Banner & Witcoff, Ltd.

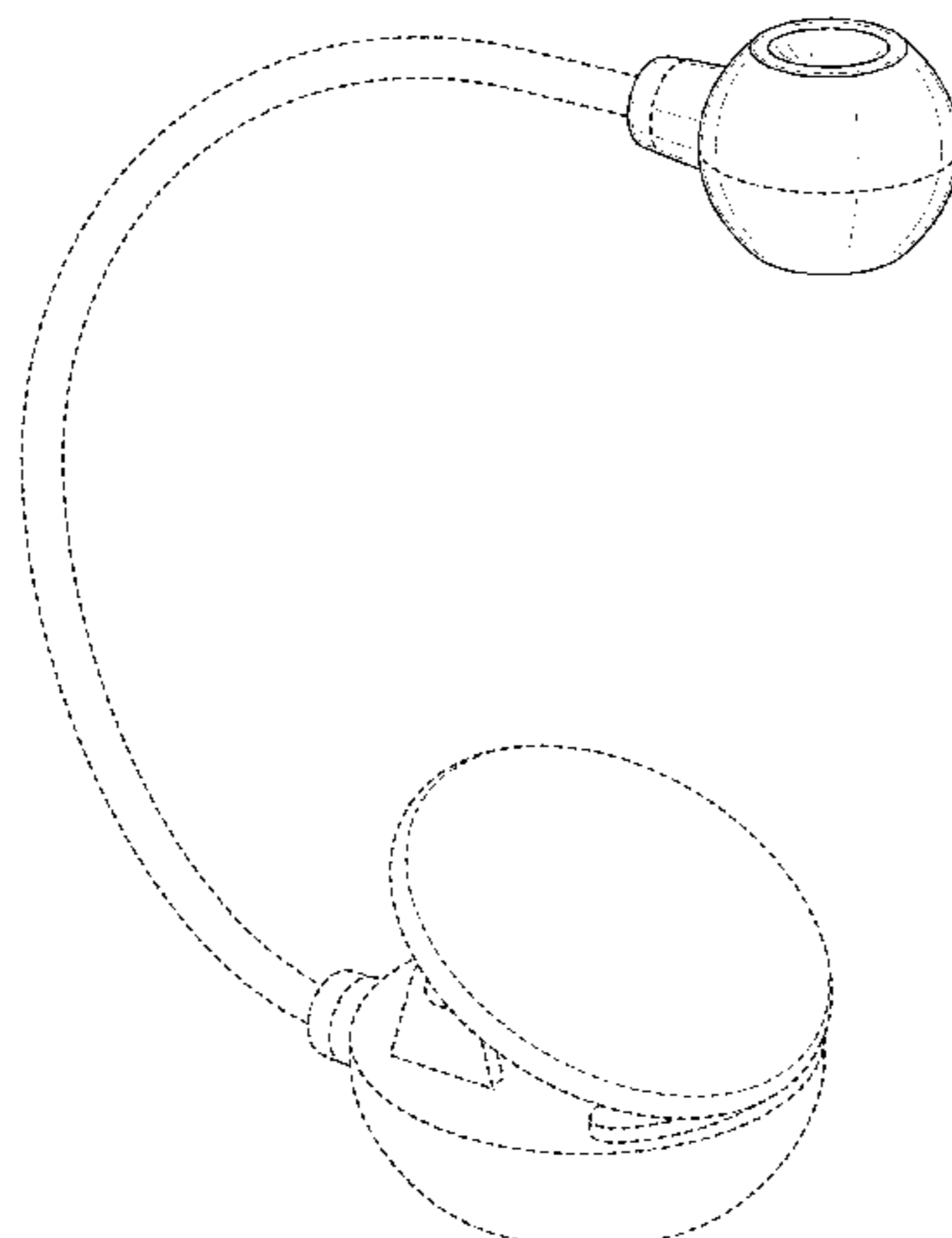
(57) **CLAIM**

The ornamental design for an illuminating device, as shown and described.

DESCRIPTION

FIG. 1 is a perspective view of the illuminating device showing our new design;
 FIG. 2 is a front view thereof;
 FIG. 3 is a rear view thereof;
 FIG. 4 is a right side view thereof;
 FIG. 5 is a left side view thereof;
 FIG. 6 is a top view thereof;
 FIG. 7 is a bottom view thereof;
 FIG. 8 is a top perspective enlarged view of the head portion of the illuminating device only with the neck and bottom portions that form no part of the claimed design omitted for clarity purposes; and,
 FIG. 9 is a bottom perspective enlarged view of the head portion of the illuminating device only with the neck and bottom portions that form no part of the claimed design omitted for clarity purposes.
 The two broken lines depicted on the head portion of the illuminating device represent parting lines that form no part of the claimed design. The broken line showing of all other portions of the illuminating device are for environmental purposes only and forms no part of the claimed design.

1 Claim, 6 Drawing Sheets



(56)

References Cited

U.S. PATENT DOCUMENTS

- D329,298 S * 9/1992 Huang D26/62
D337,841 S * 7/1993 Lu D26/65
D346,400 S * 4/1994 Hartley D19/34
D375,605 S * 11/1996 Balish, Jr. D26/87
D392,404 S * 3/1998 Brown D26/62
D405,203 S * 2/1999 Tobianski D26/60
D405,206 S * 2/1999 Taylor D26/67
D420,754 S * 2/2000 Huang D26/11
D422,722 S * 4/2000 Reed D26/28
D435,679 S * 12/2000 Naghi D26/103
D455,854 S * 4/2002 Smith D26/37
D459,318 S * 6/2002 Theuerkorn D13/199
D461,867 S * 8/2002 Szydlek D21/840
D468,468 S * 1/2003 Wallach D26/60
D476,095 S * 6/2003 Baarman D26/2
D480,831 S * 10/2003 Pallo D26/142
6,644,834 B2 * 11/2003 Christen F21S 9/02
362/307
6,736,531 B2 * 5/2004 Wallach B42D 3/123
362/197
6,758,585 B1 * 7/2004 Chan F16M 11/10
248/164
D500,151 S * 12/2004 Peddada D26/13
D510,623 S * 10/2005 Tai D23/411
D513,088 S * 12/2005 Baarman D26/106
D524,977 S * 7/2006 Smith D26/113
D525,736 S * 7/2006 Smith D26/138
D526,079 S * 8/2006 Heun D26/60
D529,220 S * 9/2006 Izardel D26/94
D530,846 S * 10/2006 Izardel D26/94
D535,046 S * 1/2007 Smith D26/60
D539,956 S * 4/2007 Rose D26/61
D544,388 S * 6/2007 Chisholm D10/114.2
D563,011 S * 2/2008 Major D26/61
D565,219 S * 3/2008 Tung D26/43
D565,782 S * 4/2008 Opolka D26/51
7,390,105 B2 * 6/2008 Nelson F21B 21/088
362/198
D574,100 S * 7/2008 Leen D26/60
D575,433 S * 8/2008 Nunes D26/62
D578,299 S * 10/2008 Dennis D2/946
D578,671 S * 10/2008 Kanayama D26/1
D583,981 S * 12/2008 Meyer D26/89
D588,296 S * 3/2009 Sabernig D26/87
D588,735 S * 3/2009 Woodard D26/61
D590,097 S * 4/2009 Tam D26/104
D590,533 S * 4/2009 Li D26/60
D595,892 S * 7/2009 Smith D26/108
D600,852 S * 9/2009 Clepper D26/138
D600,853 S * 9/2009 Clepper D26/138
D605,065 S * 12/2009 Meziere D10/106.1
D605,335 S * 12/2009 Thun D26/88
D605,337 S * 12/2009 Zhang D26/93
D605,811 S * 12/2009 Salatto-Rose D26/94
D606,699 S * 12/2009 Wei D26/80
D607,140 S * 12/2009 Farris D26/105
D608,936 S * 1/2010 Li D26/98
D609,853 S * 2/2010 Salatto-Rose D26/107
D612,077 S * 3/2010 Bennett, Jr. D26/24
D617,930 S * 6/2010 Chen D26/60
D618,372 S * 6/2010 Hopkins D26/60
D618,385 S * 6/2010 Nelson D26/138
D618,386 S * 6/2010 Nelson D26/138
D619,285 S * 7/2010 Cristoforo D26/38
D620,176 S * 7/2010 Sabernig D26/143
D621,537 S * 8/2010 Borovicka D26/43
D625,449 S * 10/2010 Rueping D26/60
D625,866 S * 10/2010 Kang D26/60
D628,739 S * 12/2010 Lu D26/113
D629,536 S * 12/2010 Prokop D26/2
D629,943 S * 12/2010 Nelson D26/60
D629,944 S * 12/2010 Nelson D26/60
D629,946 S * 12/2010 Nelson D26/60
D630,358 S * 1/2011 Nelson D26/60
D631,185 S * 1/2011 Ku D26/120
D632,005 S * 2/2011 Munstermann D26/113
D632,413 S * 2/2011 Teufel D26/62
D636,916 S * 4/2011 Nelson D26/60
D636,917 S * 4/2011 Nelson D26/60
D636,918 S * 4/2011 Nelson D26/61
D642,312 S * 7/2011 Rothman D26/60
D643,569 S * 8/2011 Abate D26/118
D643,967 S * 8/2011 Sternotte D26/128
D645,186 S * 9/2011 Sabernig D26/63
D646,429 S * 10/2011 Sabernig D26/128
D646,836 S * 10/2011 Wauters D26/93
D647,244 S * 10/2011 Issak D26/102
D648,883 S * 11/2011 Levine D26/60
D650,936 S * 12/2011 Sabernig D26/65
D660,490 S * 5/2012 Hodgson D26/60
D663,067 S * 7/2012 Buyce D26/138
D669,198 S * 10/2012 Qiu D26/2
D669,614 S * 10/2012 Sherman D26/2
D669,618 S * 10/2012 Ormsbee D26/62
D670,425 S * 11/2012 Bouroullec D26/118
D671,665 S * 11/2012 Mish D26/60
D673,728 S * 1/2013 Cartwright D26/142
D674,928 S * 1/2013 Maxik D26/2
D676,159 S * 2/2013 Le D26/2
8,408,733 B2 * 4/2013 Nelson F16M 11/10
362/191
D681,455 S * 5/2013 Meisenheimer D9/439
D687,175 S * 7/2013 Levine D26/43
D690,873 S * 10/2013 Meise D26/88
D694,459 S * 11/2013 Fang D26/87
D698,478 S * 1/2014 Randolph D26/67
D698,989 S * 2/2014 Dungan D26/128
D699,375 S * 2/2014 Ueda D26/28
D699,885 S * 2/2014 Sabernig D26/89
D703,364 S * 4/2014 Meise D26/87
D707,387 S * 6/2014 Stolte D26/142
D722,715 S * 2/2015 Biegler D26/37
D728,191 S * 5/2015 Manikas D1/105
D729,431 S * 5/2015 Miller D26/88
D735,901 S * 8/2015 Webb D26/2
D736,453 S * 8/2015 Motzkin D26/128
D740,474 S * 10/2015 Pineau D26/37
D743,073 S * 11/2015 Schmidt D26/37
2003/0179572 A1 * 9/2003 Schnell F21V 21/0885
362/191
2003/0193795 A1 * 10/2003 Brown B60Q 3/007
362/84

OTHER PUBLICATIONS

Spherical Lamp, image post date Oct. 13, 2013, site visited Nov. 13, 2015, (online), <<http://web.archive.org/web/20131013173828/http://www.turbosquid.com/3d-models/spherical-lamp-max/718514>>.*

* cited by examiner

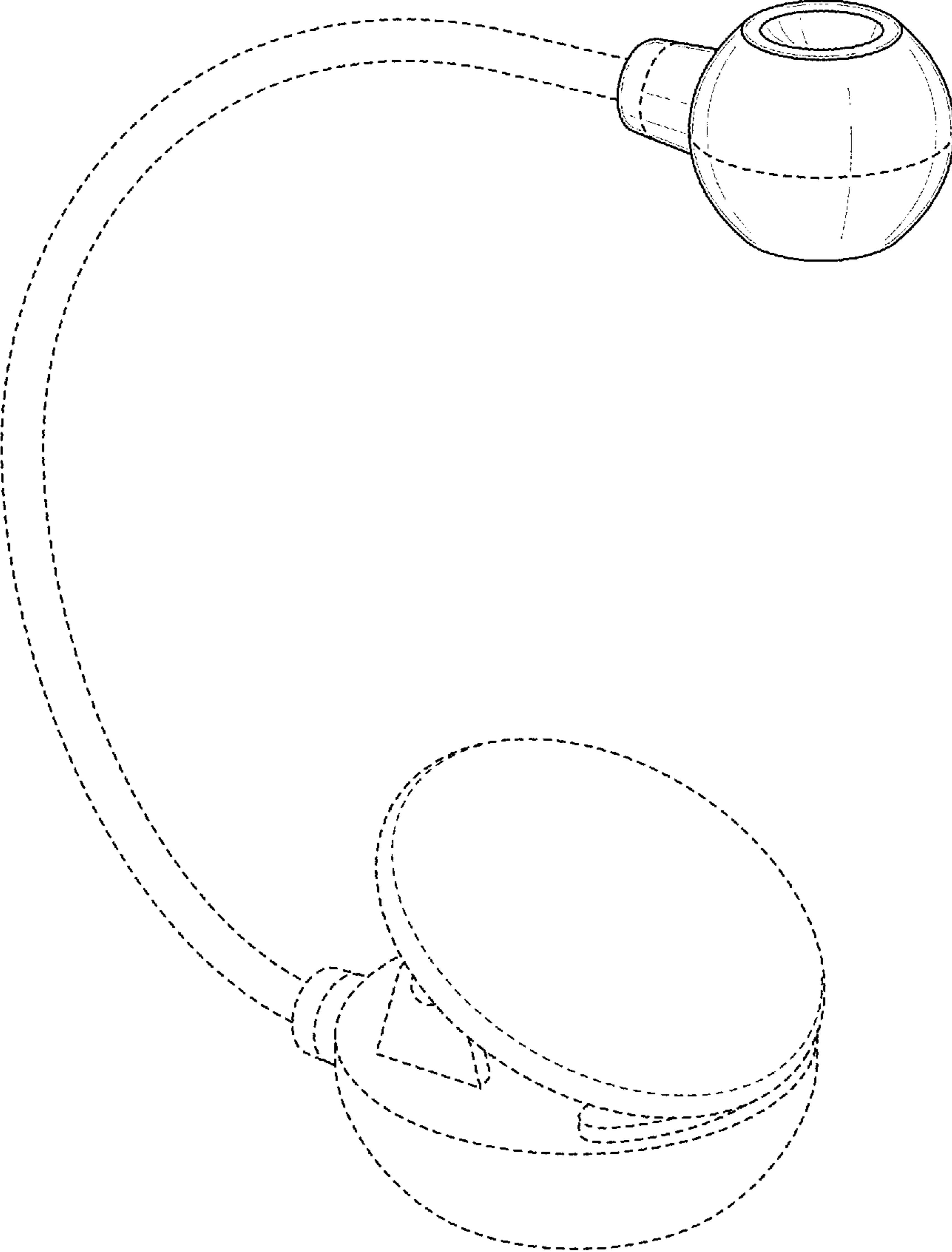


FIG. 1

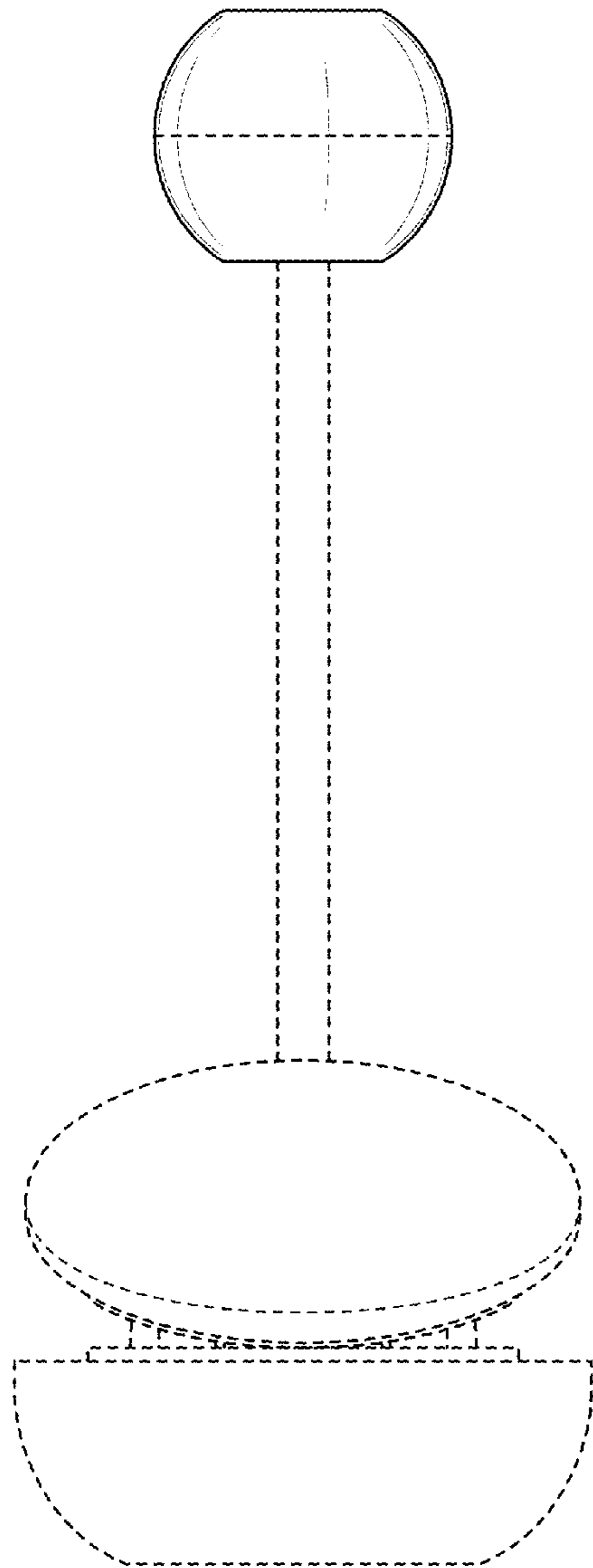


FIG. 2

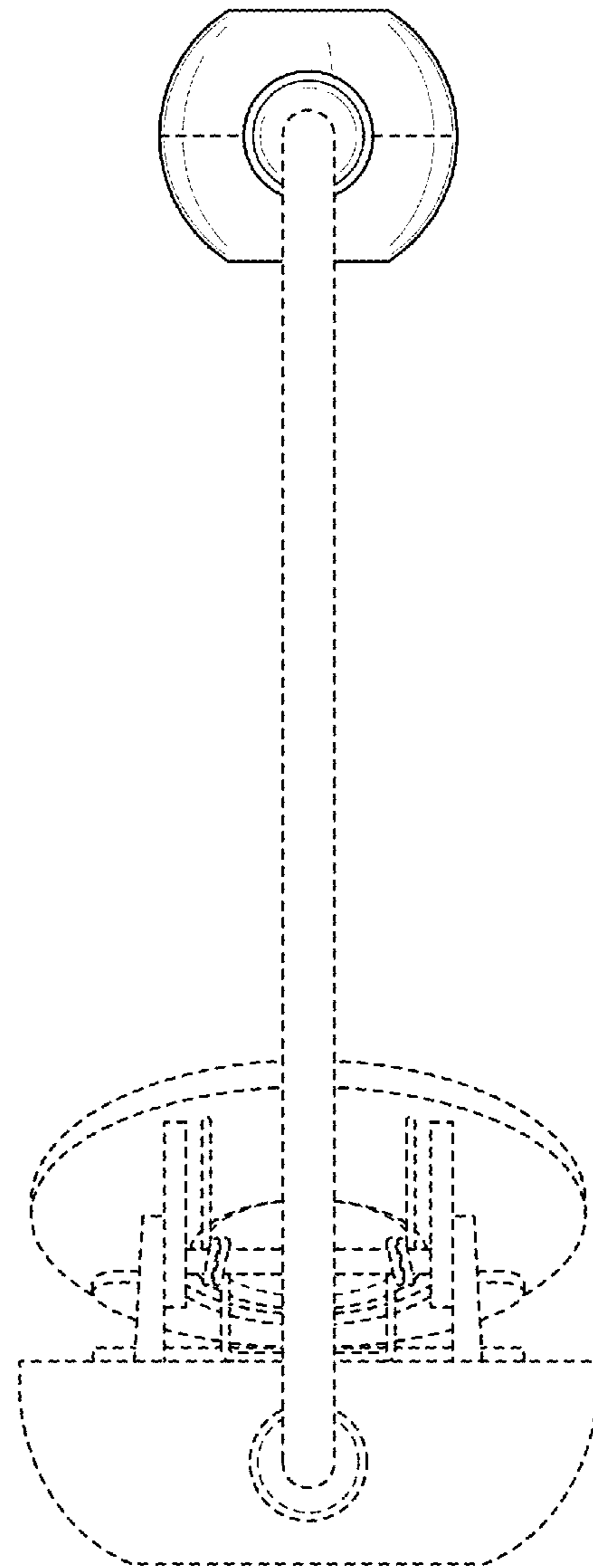


FIG. 3

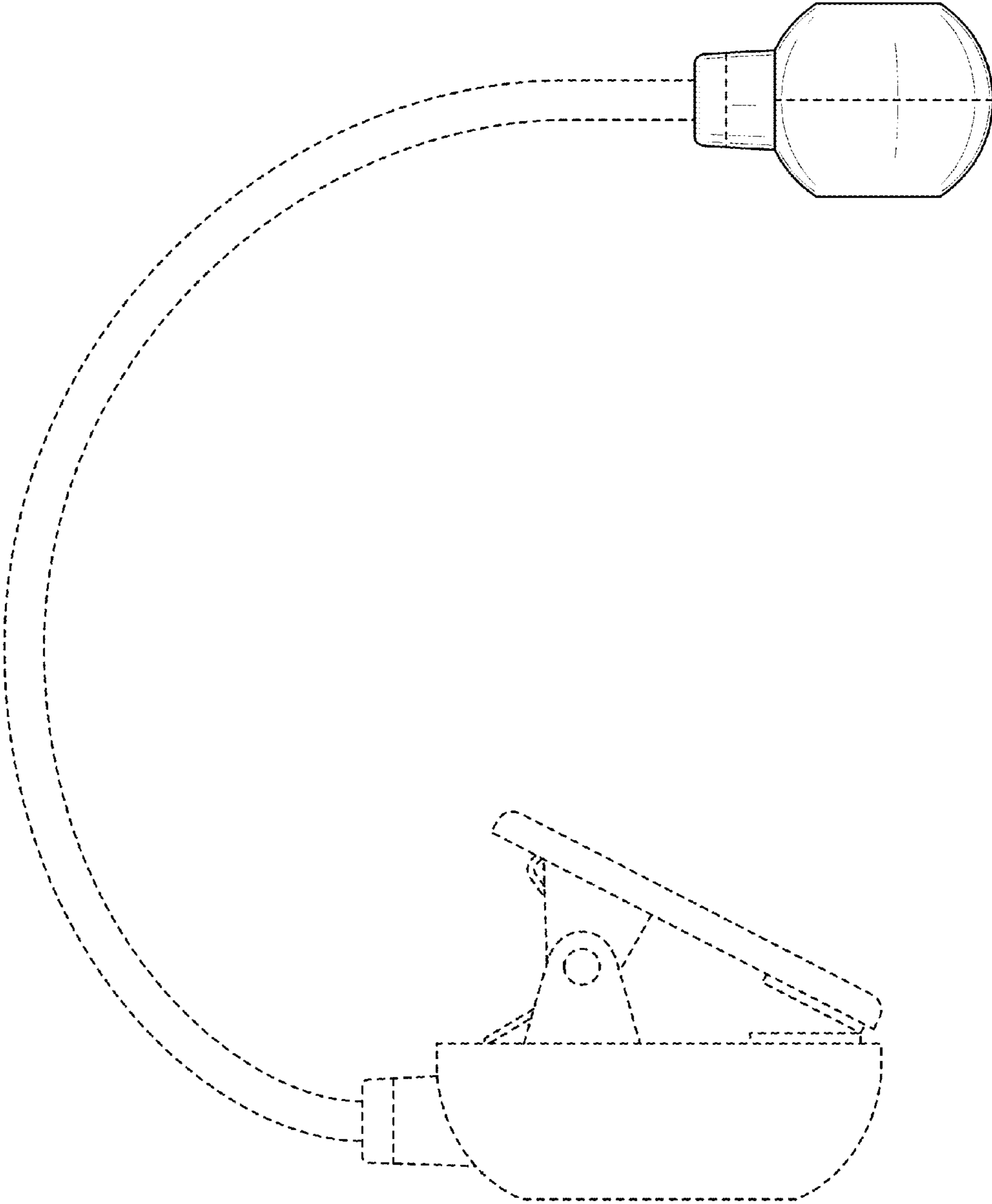


FIG. 4

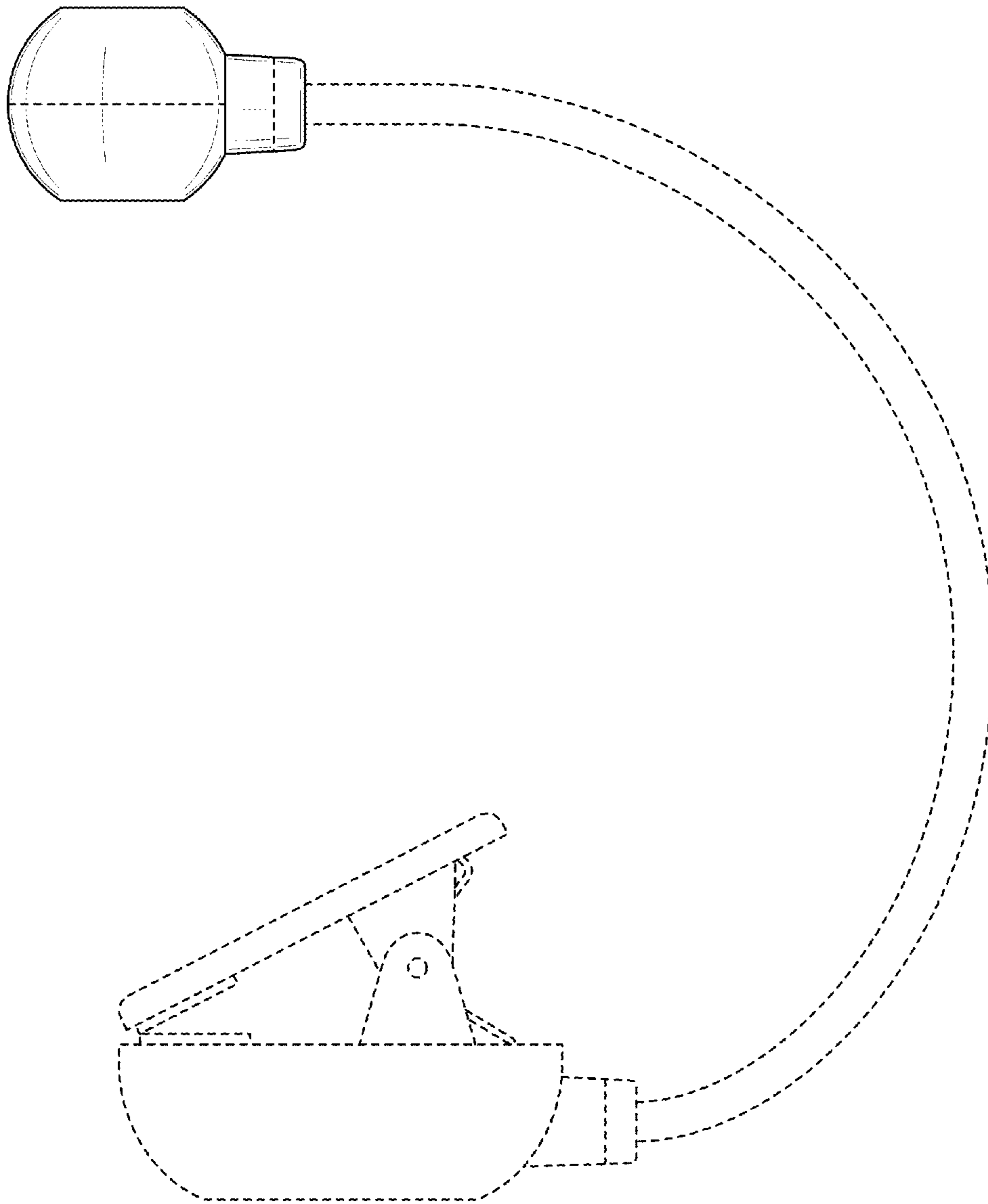


FIG. 5

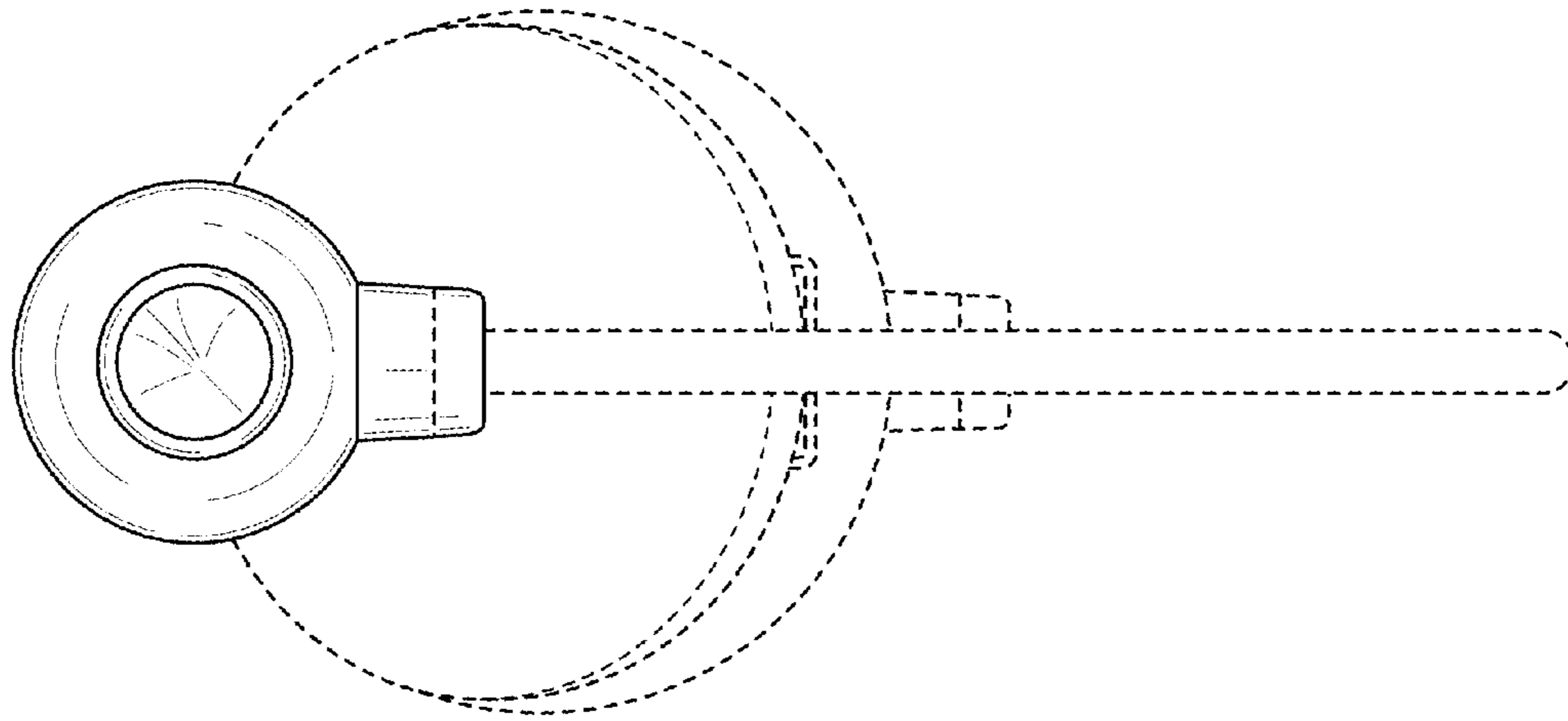


FIG. 6

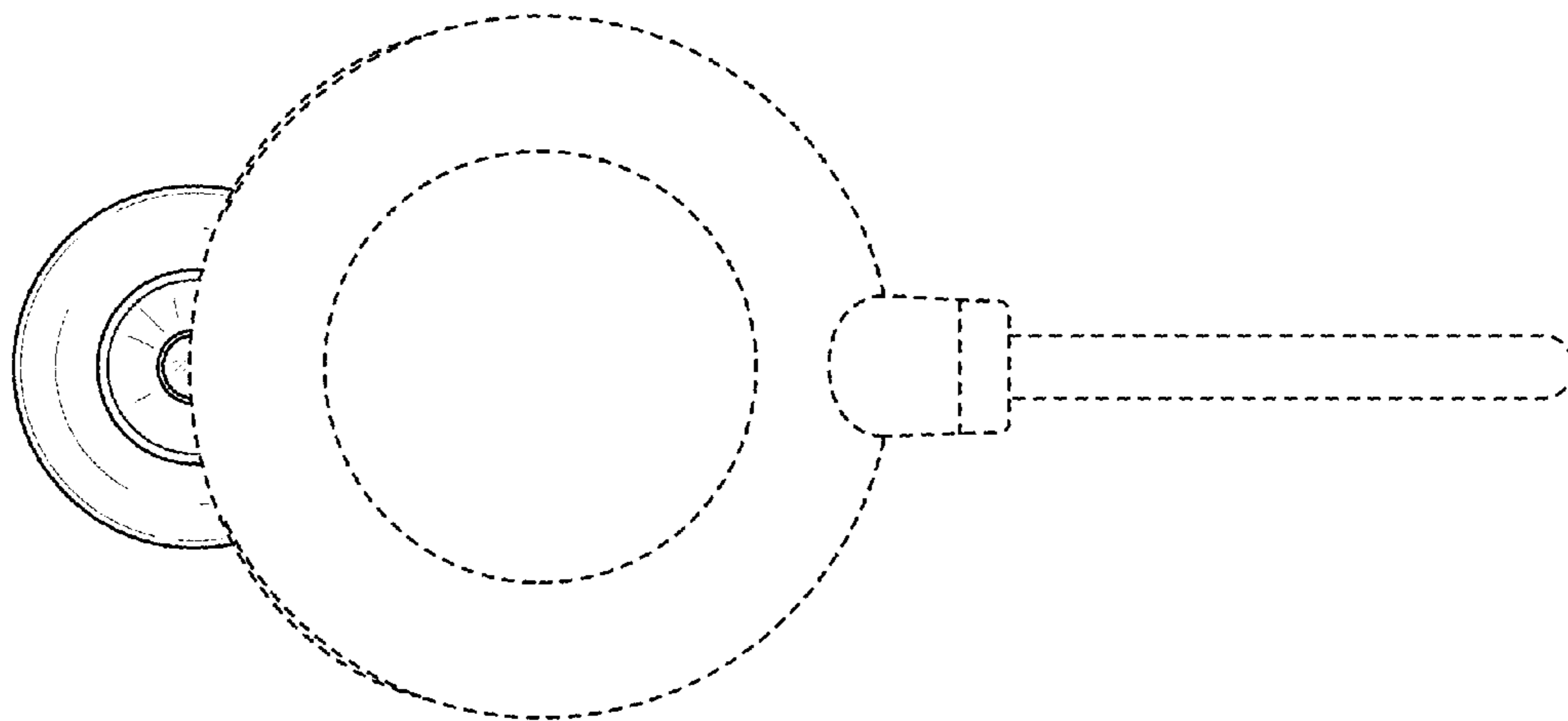


FIG. 7

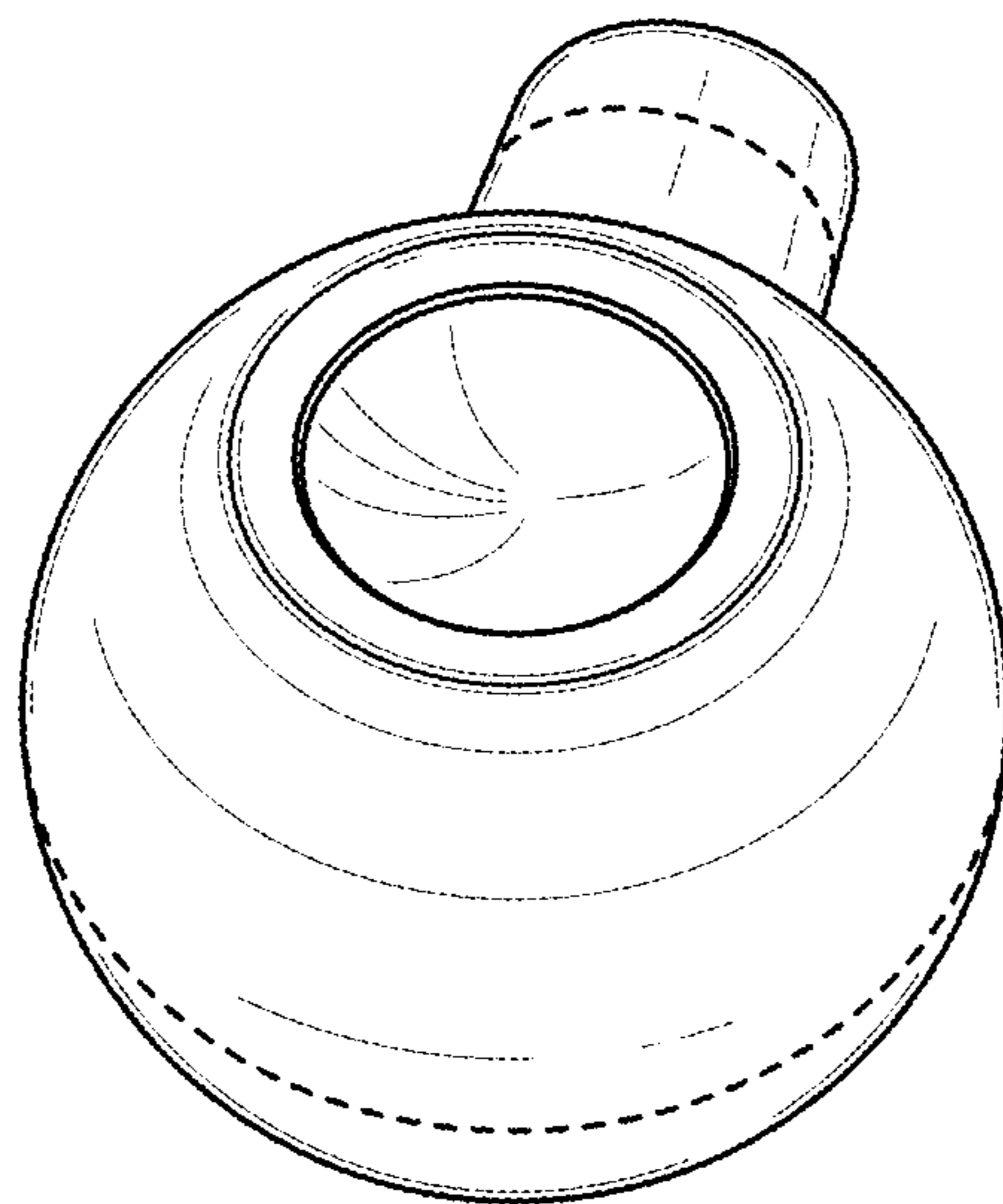


FIG. 8

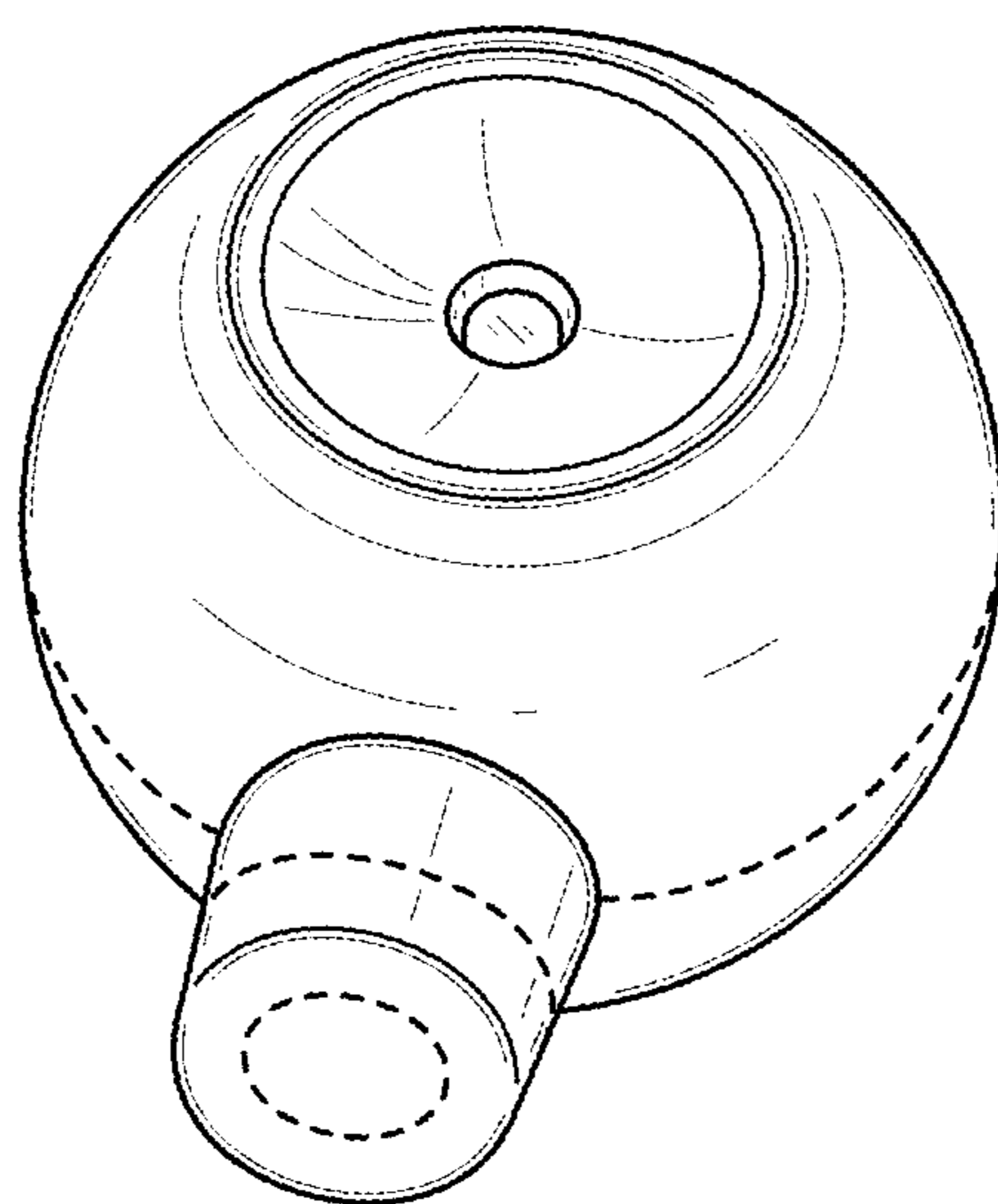


FIG. 9