



US00D753866S

(12) **United States Design Patent**  
**Stolte et al.**

(10) **Patent No.:** **US D753,866 S**  
(45) **Date of Patent:** **\*\* Apr. 12, 2016**

(54) **LIGHTING FIXTURE**

(71) Applicant: **KENALL MANUFACTURING COMPANY**, Kenosha, WI (US)

(72) Inventors: **Brandon Stolte**, Lindenhurst, IL (US);  
**Brad Wilson**, Twin Lakes, WI (US)

(73) Assignee: **KENALL MANUFACTURING COMPANY**, Kenosha, WI (US)

(\*\*) Term: **15 Years**

(21) Appl. No.: **29/548,931**

(22) Filed: **Dec. 17, 2015**

**Related U.S. Application Data**

(60) Continuation of application No. 29/536,342, filed on Aug. 17, 2015, which is a division of application No. 29/499,237, filed on Aug. 13, 2014, now Pat. No. Des. 743,612.

(51) **LOC (10) Cl.** ..... **26-03**

(52) **U.S. Cl.**

USPC ..... **D26/92**; D26/89

(58) **Field of Classification Search**

USPC ..... D26/67-72, 92, 89

CPC ..... F21S 8/08; F21S 8/085; F21S 8/086;

F21S 8/088; F21V 21/13

See application file for complete search history.

(56) **References Cited**

**U.S. PATENT DOCUMENTS**

D162,124 S 2/1951 Brooks  
2,907,870 A 10/1959 Calmes  
3,065,339 A 11/1962 Fahey, Jr.  
D230,071 S 1/1974 Anderson, Jr.  
D294,523 S 3/1988 Ewing et al.

D294,646 S 3/1988 Ewing et al.  
D329,714 S 9/1992 McIngvale, Jr. et al.  
D393,093 S 3/1998 Fiorato  
6,062,843 A 5/2000 Yamaura  
D465,599 S 11/2002 Thompson  
6,523,982 B1 2/2003 Haddad  
6,523,985 B2 2/2003 Hamanaka et al.  
D535,051 S 1/2007 Stauffer  
D571,034 S 6/2008 Goetz-Schaefer

(Continued)

**OTHER PUBLICATIONS**

TekDek™ Advanced Lighting for Parking Garages Brochure, Kenall, 36 pages, (c) 2012.

(Continued)

*Primary Examiner* — Clare E Heflin

(74) *Attorney, Agent, or Firm* — Marshall, Gerstein & Borun LLP

(57) **CLAIM**

The ornamental design for a lighting fixture, as shown and described.

**DESCRIPTION**

FIG. 1 is a perspective view showing a new design for a lighting fixture;

FIG. 2 is a bottom view of the lighting fixture of FIG. 1;

FIG. 3 is a front view of the lighting fixture of FIG. 1;

FIG. 4 is a right-side view of the lighting fixture of FIG. 1;

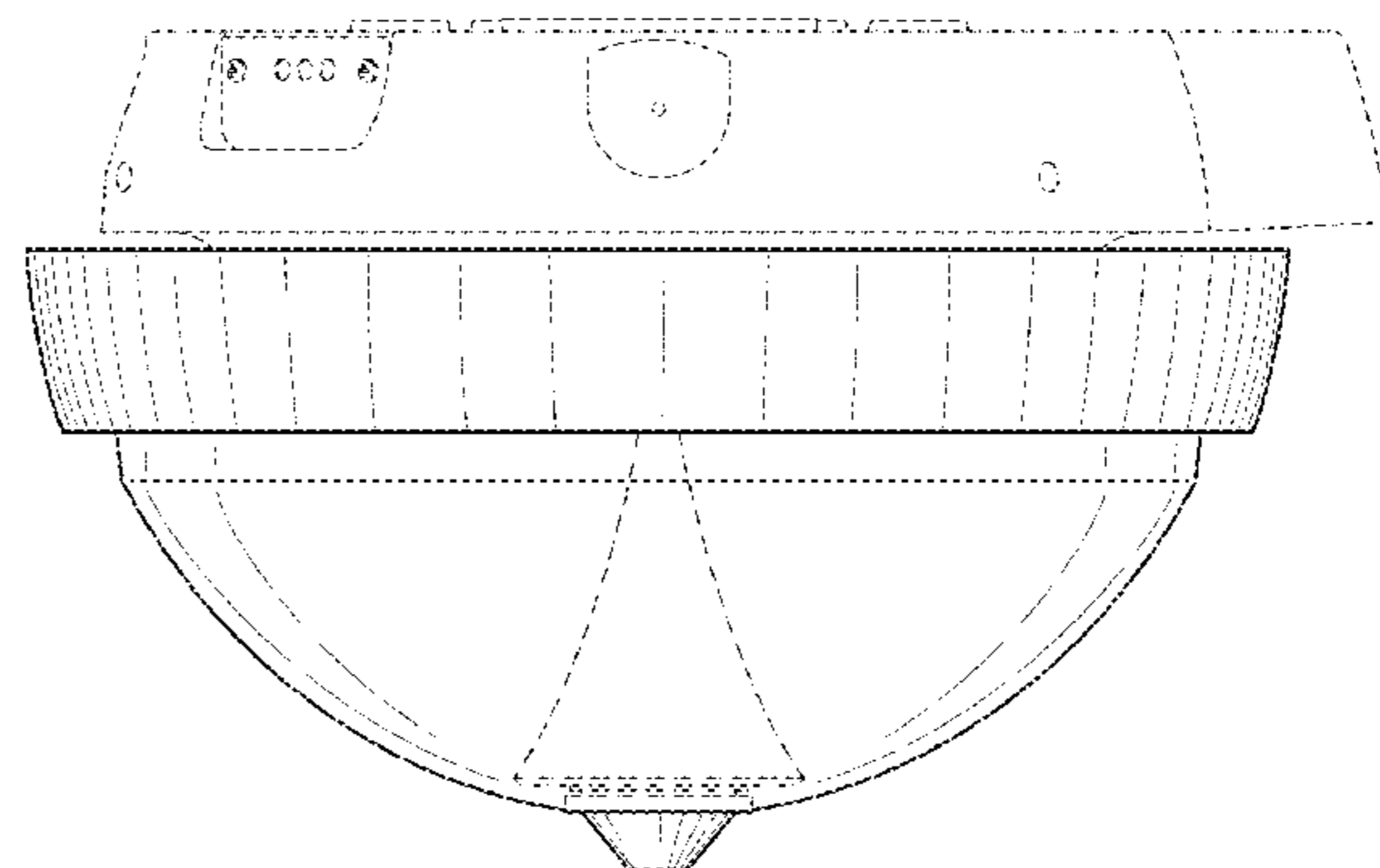
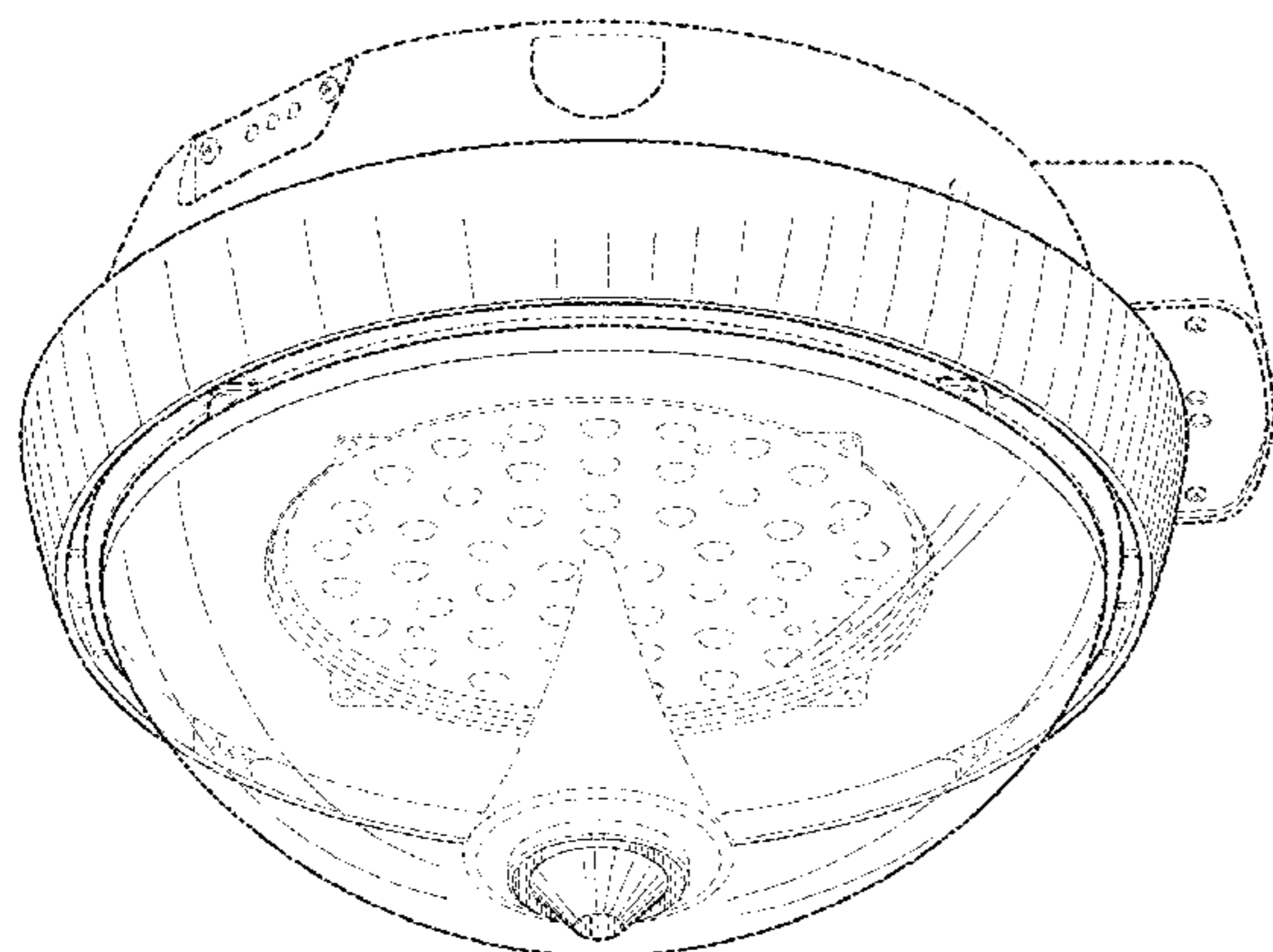
FIG. 5 is a back view of the lighting fixture of FIG. 1;

FIG. 6 is a left-side view of the lighting fixture of FIG. 1; and,

FIG. 7 is a top view of the lighting fixture of FIG. 1.

The dashed lines showing portions of the lighting fixture are included for the purpose of illustrating environment and form no part of the claimed design.

**1 Claim, 7 Drawing Sheets**



(56)

**References Cited**

U.S. PATENT DOCUMENTS

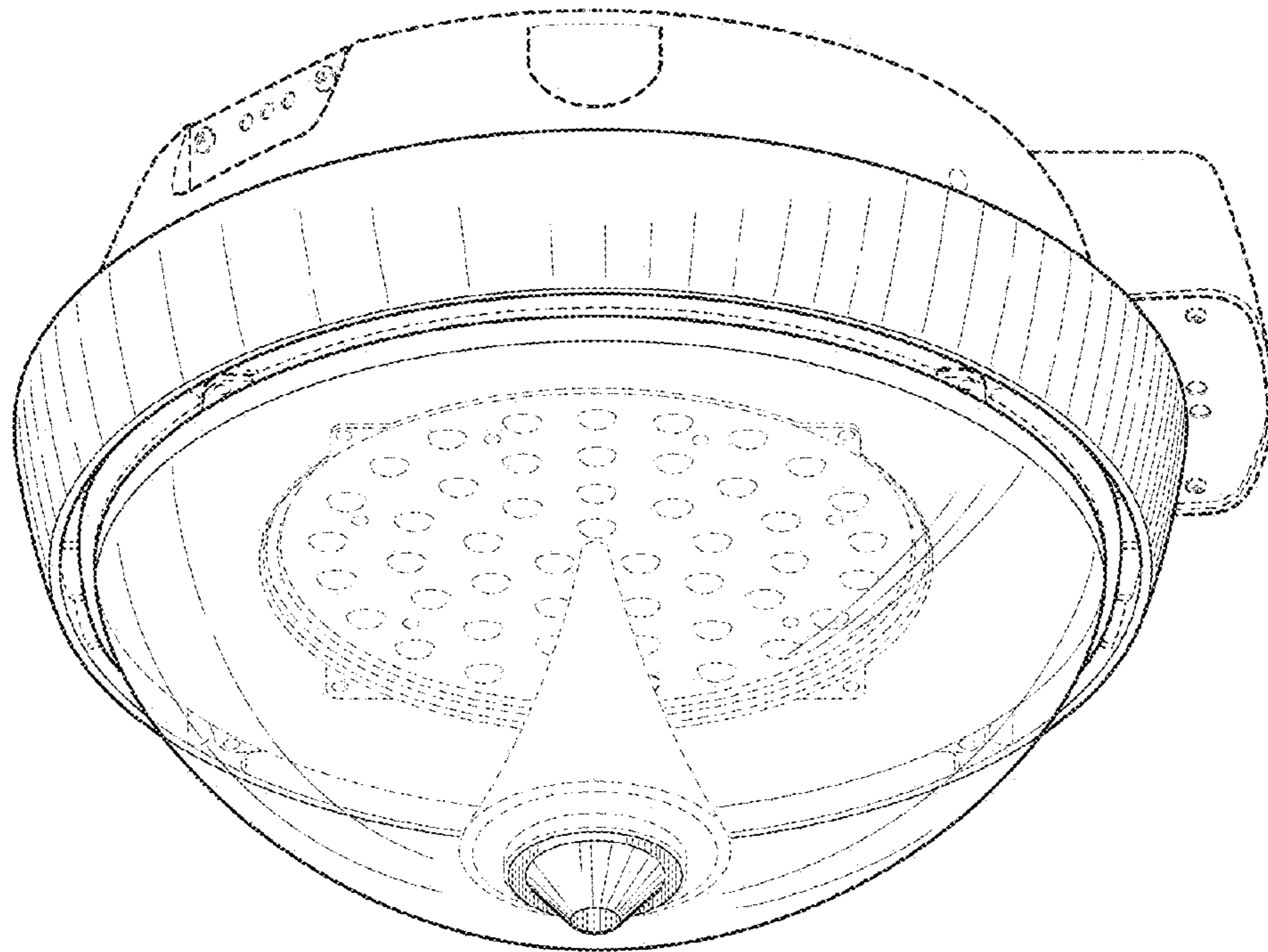
D583,091 S 12/2008 Benensohn  
D588,300 S 3/2009 Sabernig  
D594,523 S 6/2009 Uhrig et al.  
7,611,264 B1 11/2009 Chang et al.  
D624,684 S 9/2010 Hemby  
D628,738 S 12/2010 Chen  
D639,996 S 6/2011 Stolte et al.  
D643,959 S 8/2011 Hemby  
8,240,885 B2 8/2012 Miller  
D668,811 S 10/2012 Peter  
D691,763 S 10/2013 Hand et al.  
9,062,843 B2 6/2015 Rami et al.  
D743,612 S \* 11/2015 Stolte ..... D26/92

2009/0073689 A1 3/2009 Patrick  
2009/0296403 A1 12/2009 Zhang et al.  
2012/0176792 A1 7/2012 Stolte et al.

OTHER PUBLICATIONS

From eurostylelighting.com, visited on Aug. 5, 2010—Murray Feiss  
Essentail 13" Wide Ceiling Light.  
From eurostylelighting.com, visited on Aug. 5, 2010—Sonneman  
Vienna polished nickel 17" ceiling light.  
From eurostylelighting.com, visited on Aug. 5, 2010—Forecast  
Presto Collection 10" wide ceiling light.  
From eurostylelighting.com, visited on Aug. 5, 2010—Sonneman  
Trumpet 21" surface ceiling light and Sonneman Rialto 17" ceiling  
light.

\* cited by examiner



**FIG. 1**



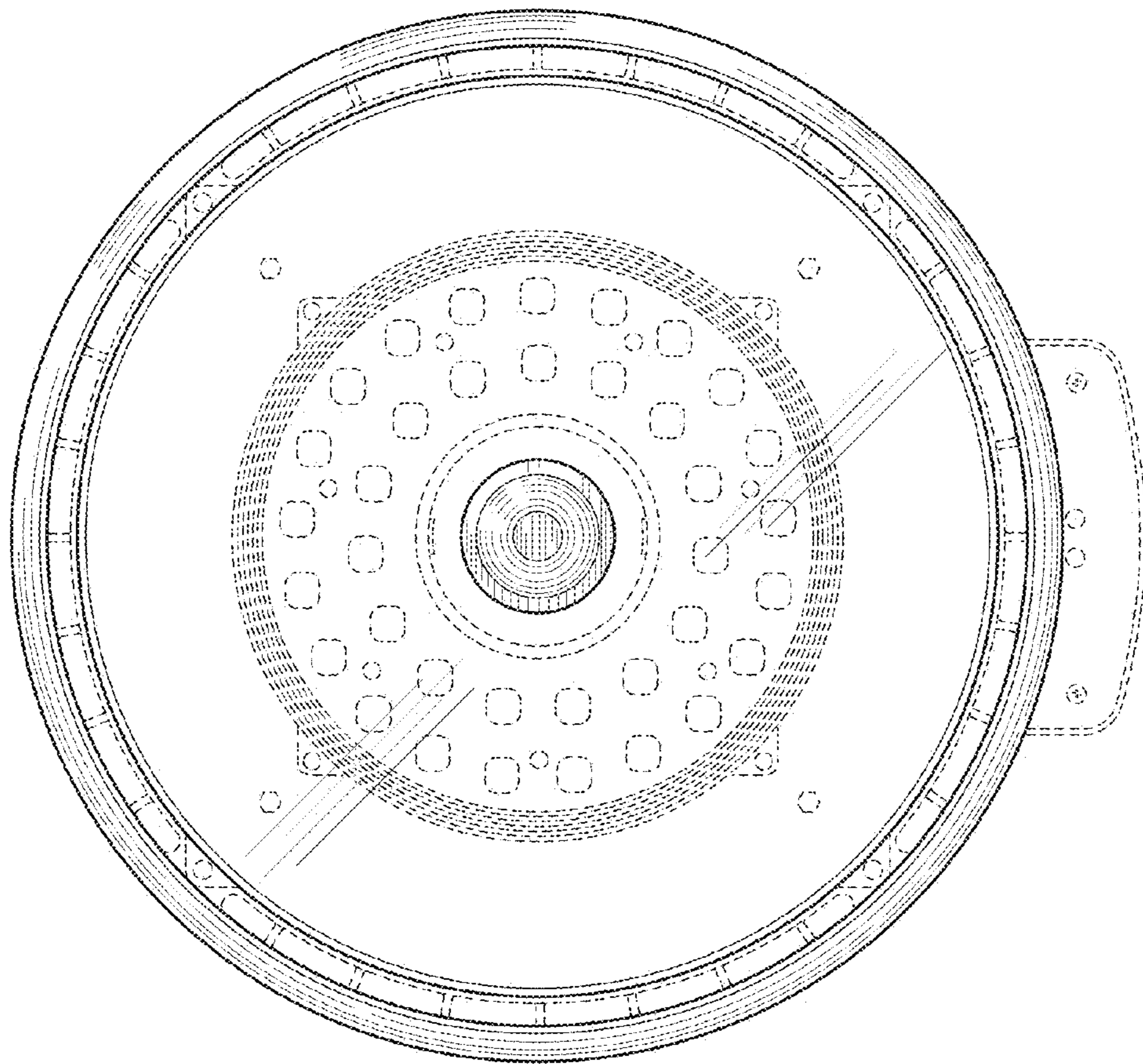
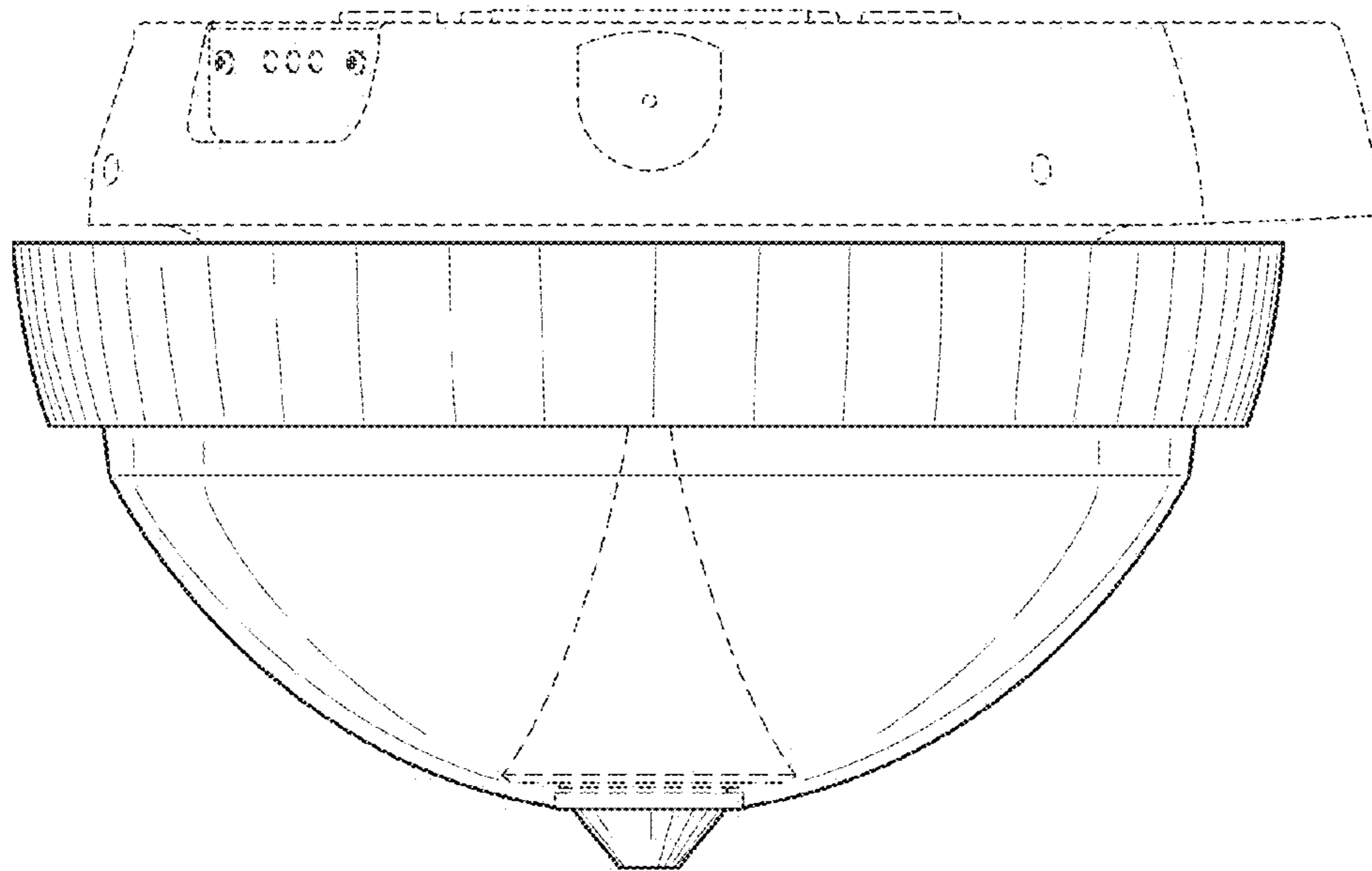
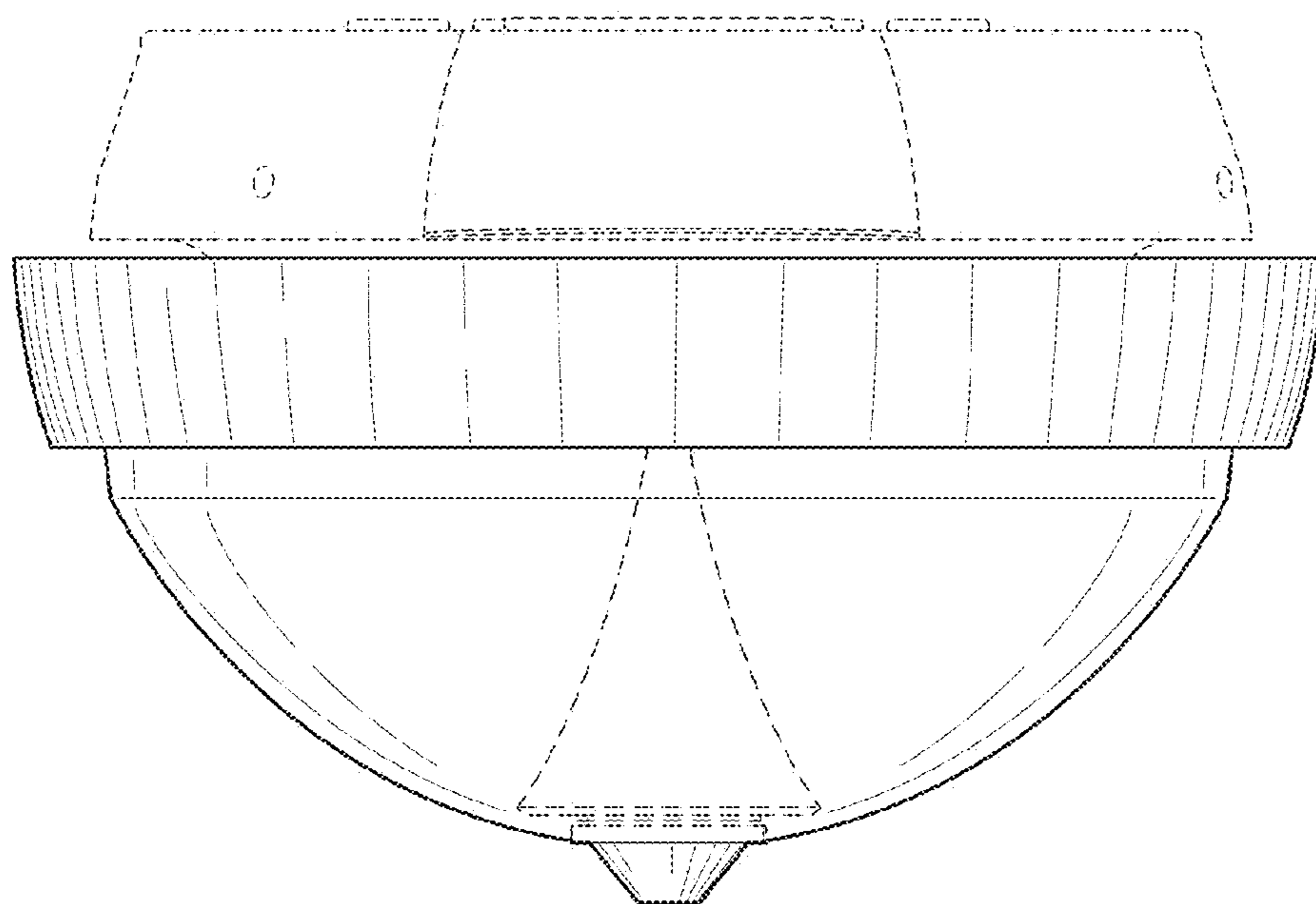


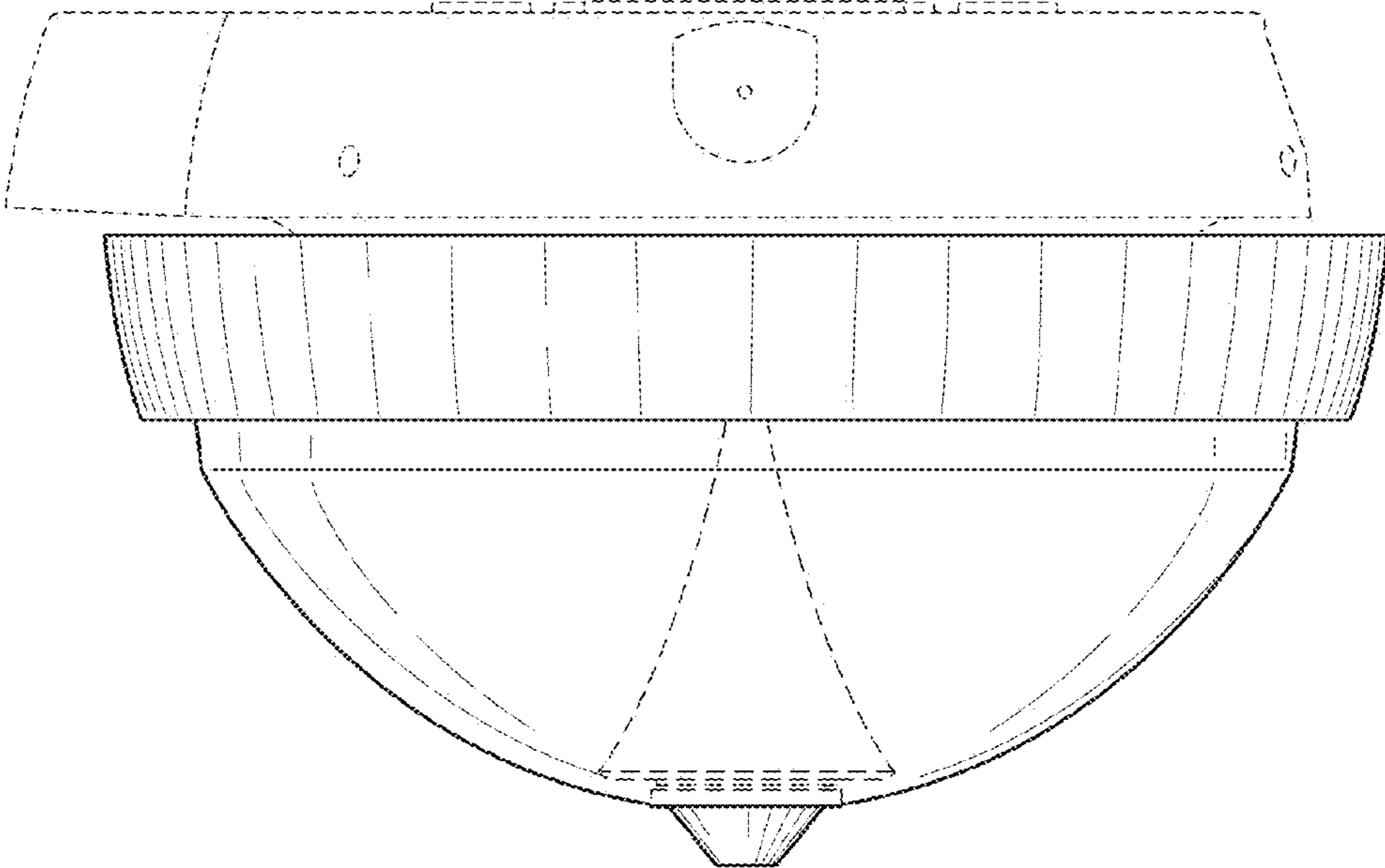
FIG. 2



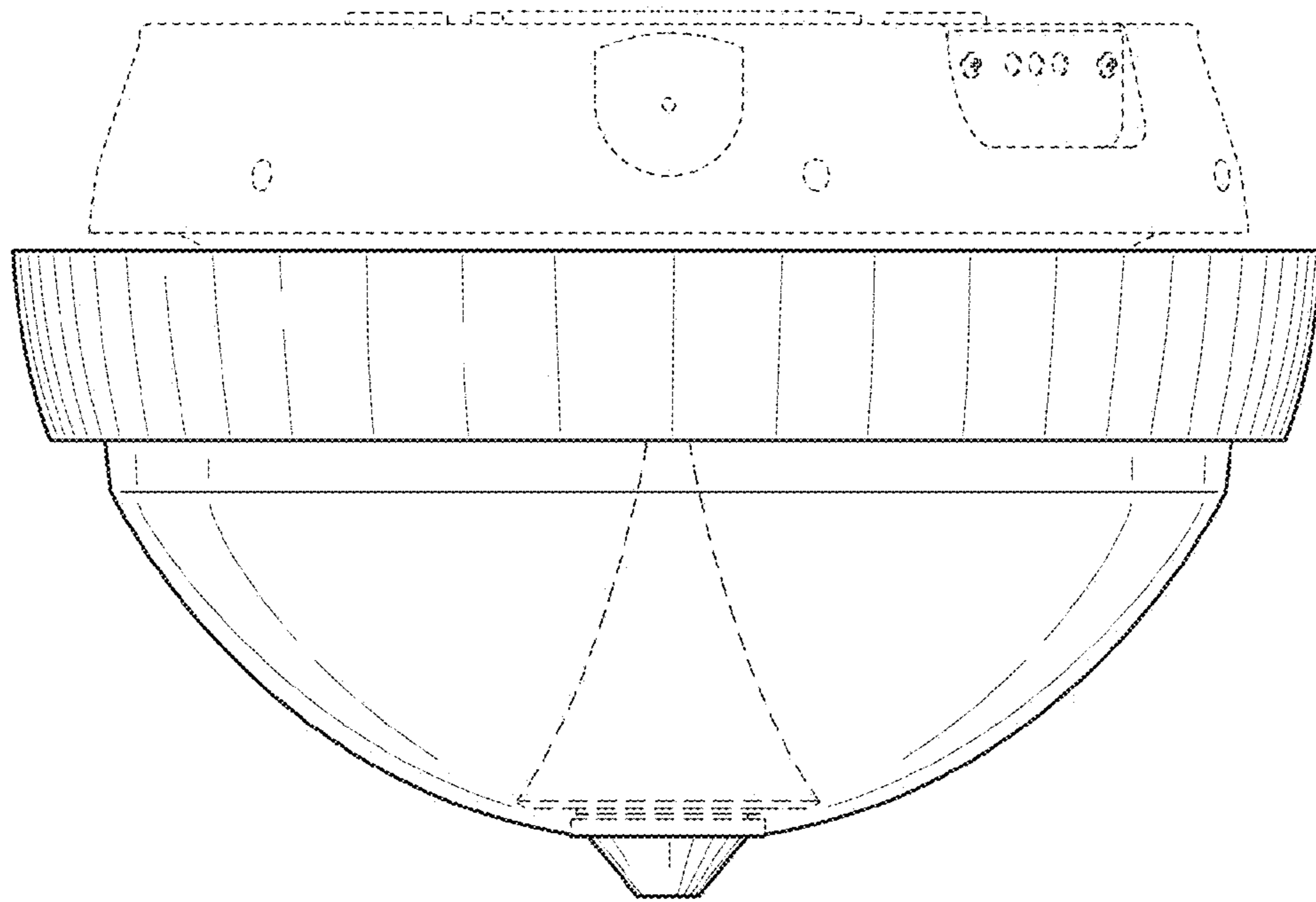
**FIG. 3**



**FIG. 4**

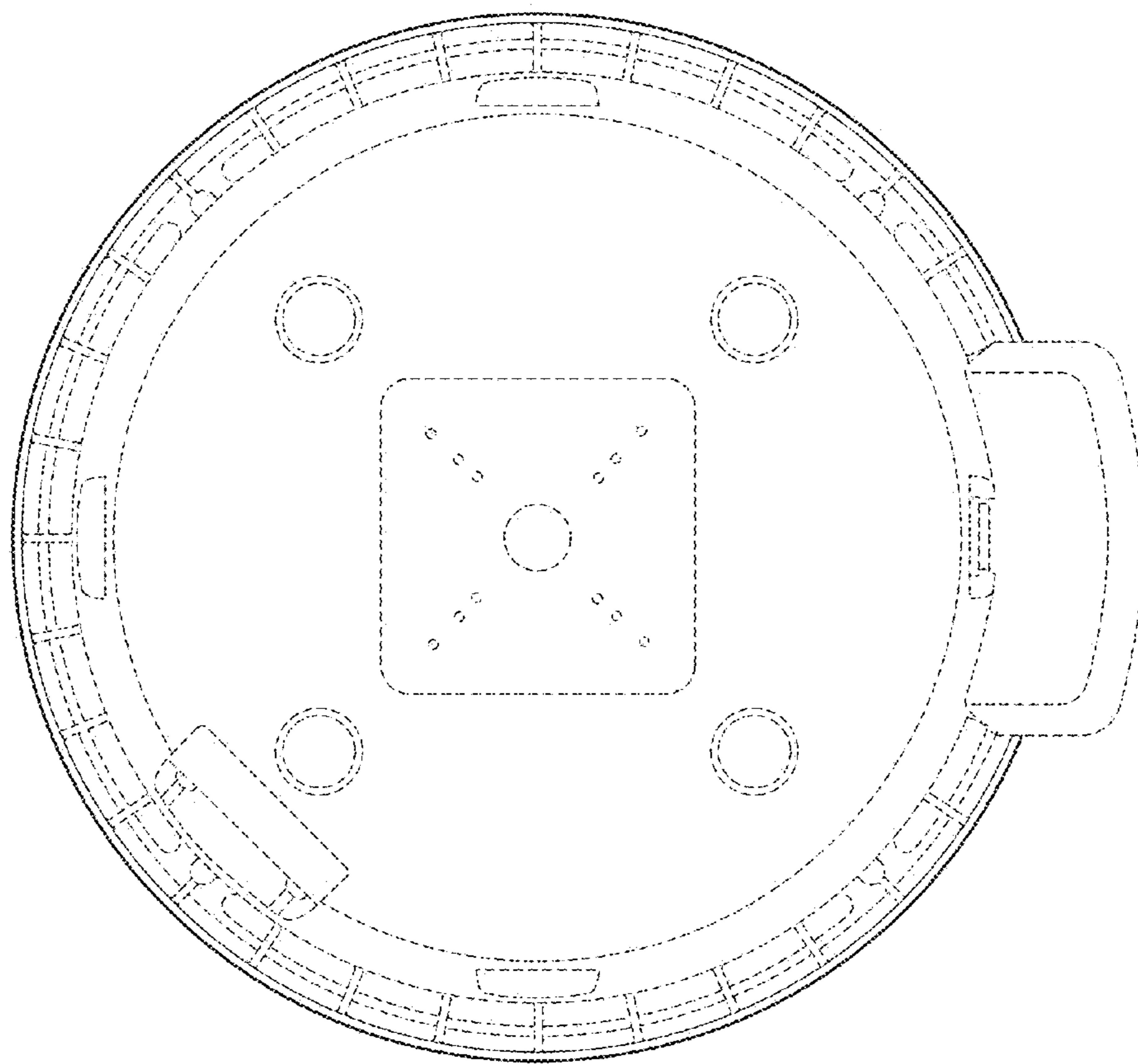


**FIG. 5**



**FIG. 6**





**FIG. 7**