



US00D753864S

(12) **United States Design Patent**  
**Dungan et al.**

(10) **Patent No.:** **US D753,864 S**  
(45) **Date of Patent:** **\*\* Apr. 12, 2016**

(54) **OUTDOOR LIGHTING FIXTURE**

(71) Applicant: **Cree, Inc.**, Durham, NC (US)

(72) Inventors: **William L. Dungan**, Cary, NC (US);  
**Nathan Snell**, Raleigh, NC (US)

(73) Assignee: **Cree, Inc.**, Durham, NC (US)

(\*\*) Term: **14 Years**

(21) Appl. No.: **29/491,797**

(22) Filed: **May 23, 2014**

**Related U.S. Application Data**

(63) Continuation-in-part of application No. 29/481,410,  
filed on Feb. 5, 2014.

(51) **LOC (10) Cl.** ..... **26-03**

(52) **U.S. Cl.**  
USPC ..... **D26/85**

(58) **Field of Classification Search**  
USPC ..... D26/67-72, 92  
CPC ..... F21S 8/08; F21S 8/085; F21S 8/086;  
F21S 8/088; F21V 21/13  
See application file for complete search history.

(56) **References Cited**

**U.S. PATENT DOCUMENTS**

D468,046 S	12/2002	Bernard et al.	
7,150,542 B1	12/2006	Russello et al.	
D552,292 S	10/2007	Martineau	
D562,491 S	2/2008	DiCola	
D565,229 S	3/2008	Haugaard et al.	
D568,524 S	5/2008	Sandell	
7,401,939 B2	7/2008	Haugaard et al.	
D578,242 S	10/2008	Couillard et al.	
7,547,117 B1	6/2009	Russello et al.	
7,857,497 B2 *	12/2010	Koike et al.	362/545
7,988,338 B2 *	8/2011	Zhou	362/311.02
D653,377 S	1/2012	Guercio	

D667,586 S	9/2012	Wilcox et al.	
8,287,150 B2 *	10/2012	Schaefer et al.	362/249.02
8,342,703 B2 *	1/2013	Lai	362/84
D676,173 S	2/2013	Akinrele et al.	
D676,174 S	2/2013	Akinrele et al.	
D677,822 S	3/2013	Yu	
D681,864 S	5/2013	Guercio et al.	

(Continued)

**OTHER PUBLICATIONS**

Notice of Allowance for U.S. Appl. No. 29/481,410 dated Dec. 10,  
2014.

(Continued)

*Primary Examiner* — Clare E Heflin

(74) *Attorney, Agent, or Firm* — Jenkins, Wilson, Taylor &  
Hunt, P.A.

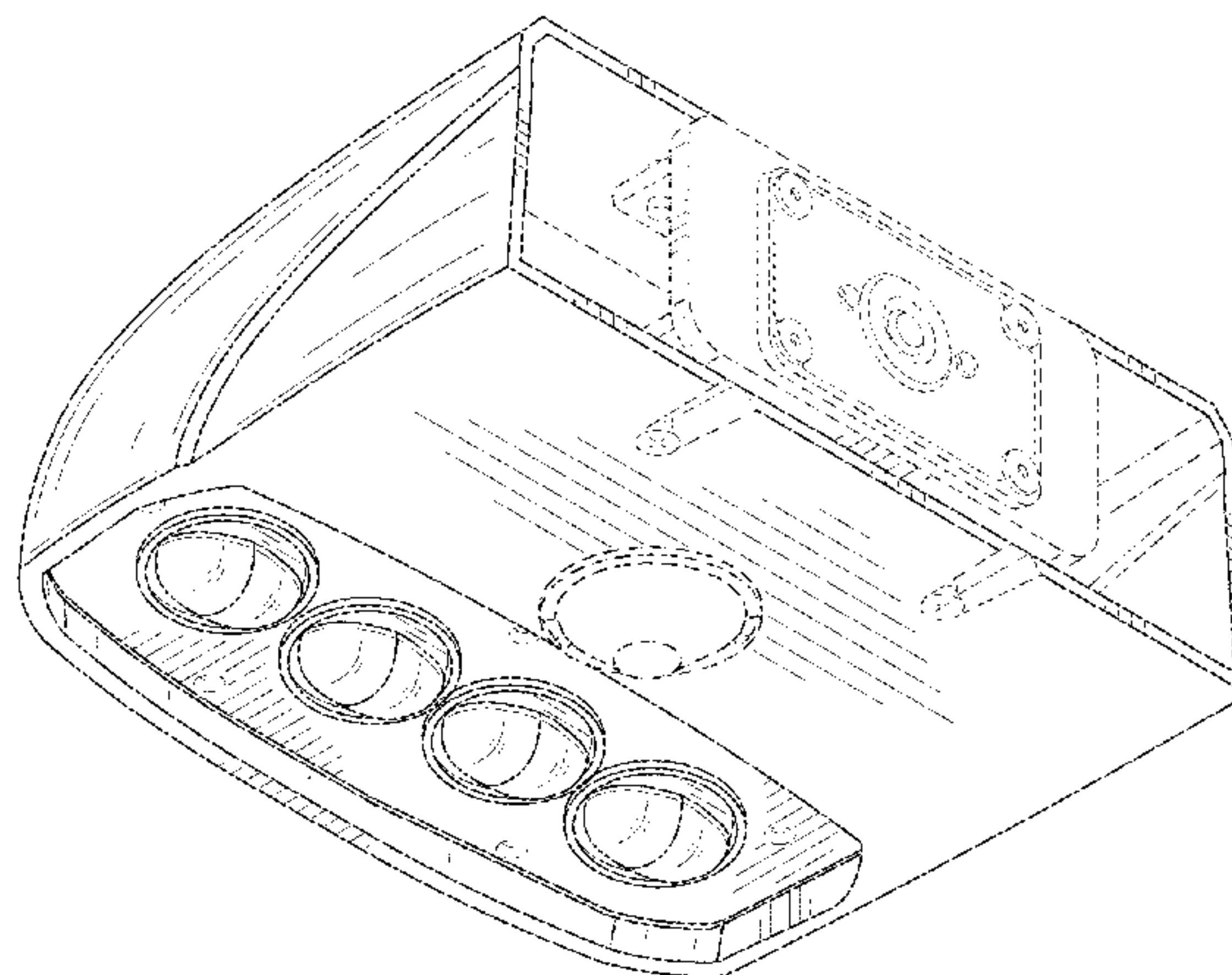
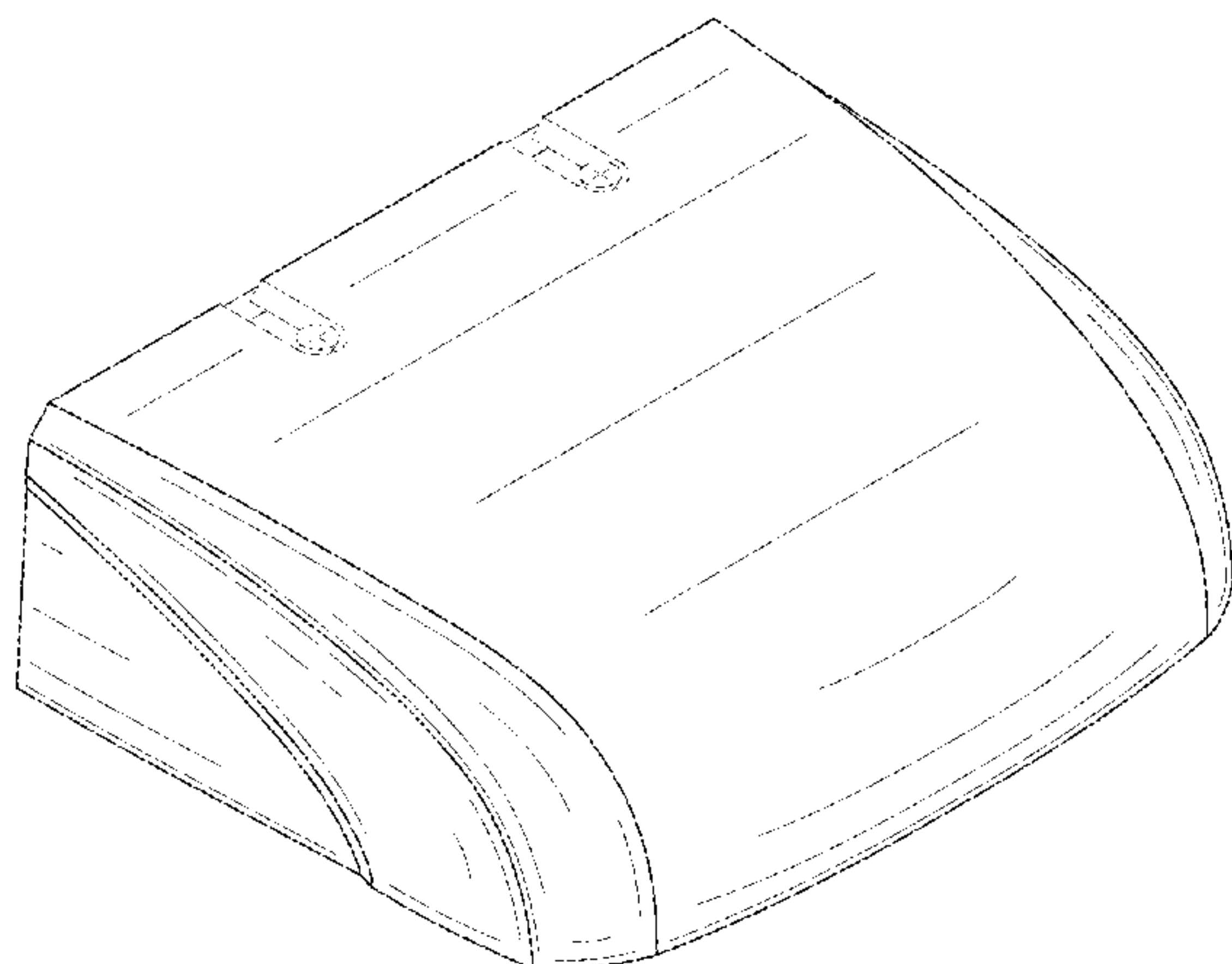
(57) **CLAIM**

The ornamental design for an outdoor lighting fixture, as  
shown and described.

**DESCRIPTION**

FIG. 1 is a first perspective view of an outdoor lighting fixture  
showing the design according to a first embodiment;  
FIG. 2 is a second perspective view thereof, opposite the view  
of FIG. 1;  
FIG. 3 is a first plan view thereof;  
FIG. 4 is a second plan thereof, opposite the view of FIG. 3;  
FIG. 5 is a first side view thereof;  
FIG. 6 is a second side view thereof, opposite the view of FIG.  
5;  
FIG. 7 is a third side view thereof; and,  
FIG. 8 is a fourth side view thereof, opposite the view of FIG.  
7.  
The broken lines are included for the purpose of illustrating  
environment of the design and form no part of the claimed  
design.

**1 Claim, 6 Drawing Sheets**



(56)

**References Cited**

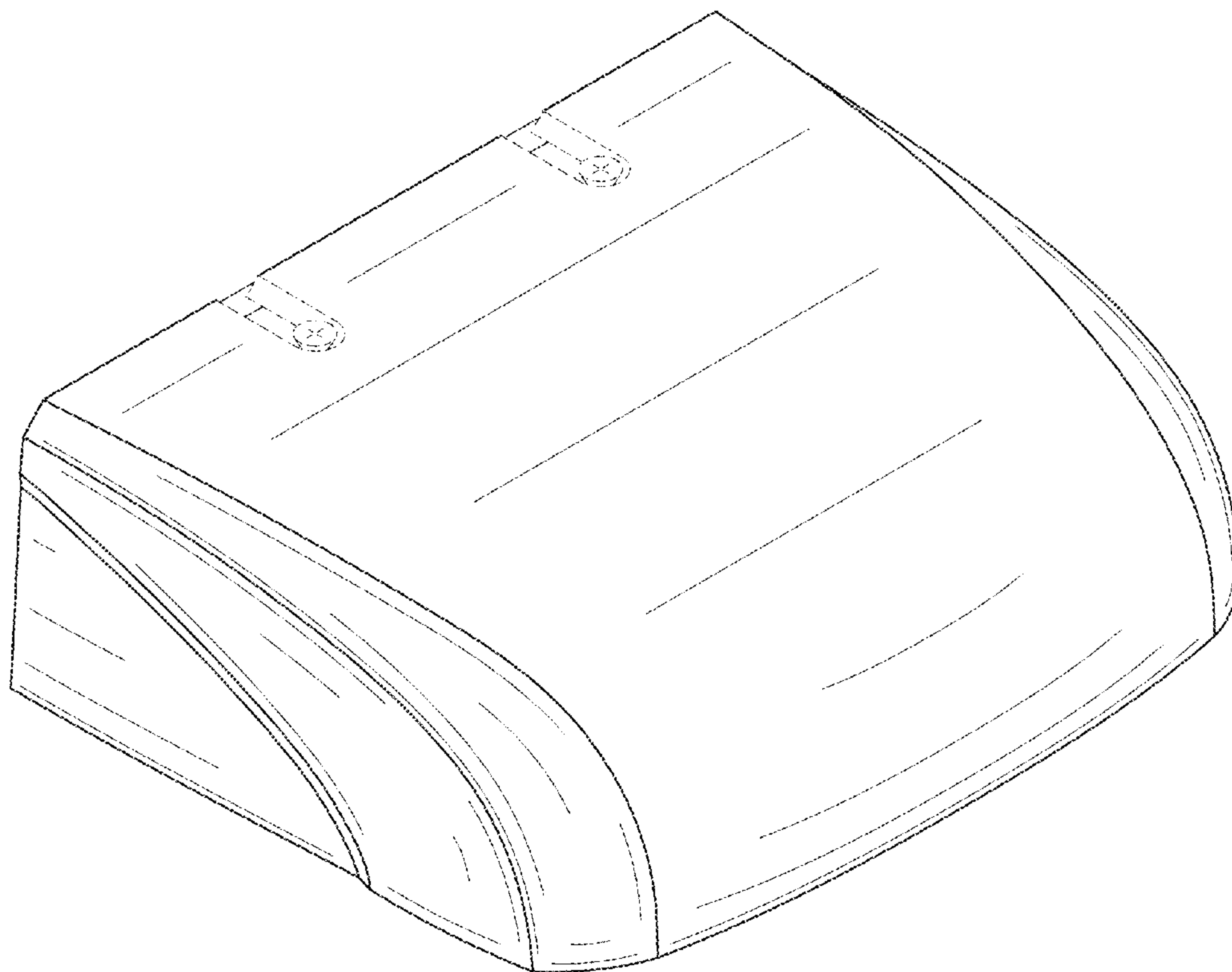
**OTHER PUBLICATIONS**

U.S. PATENT DOCUMENTS

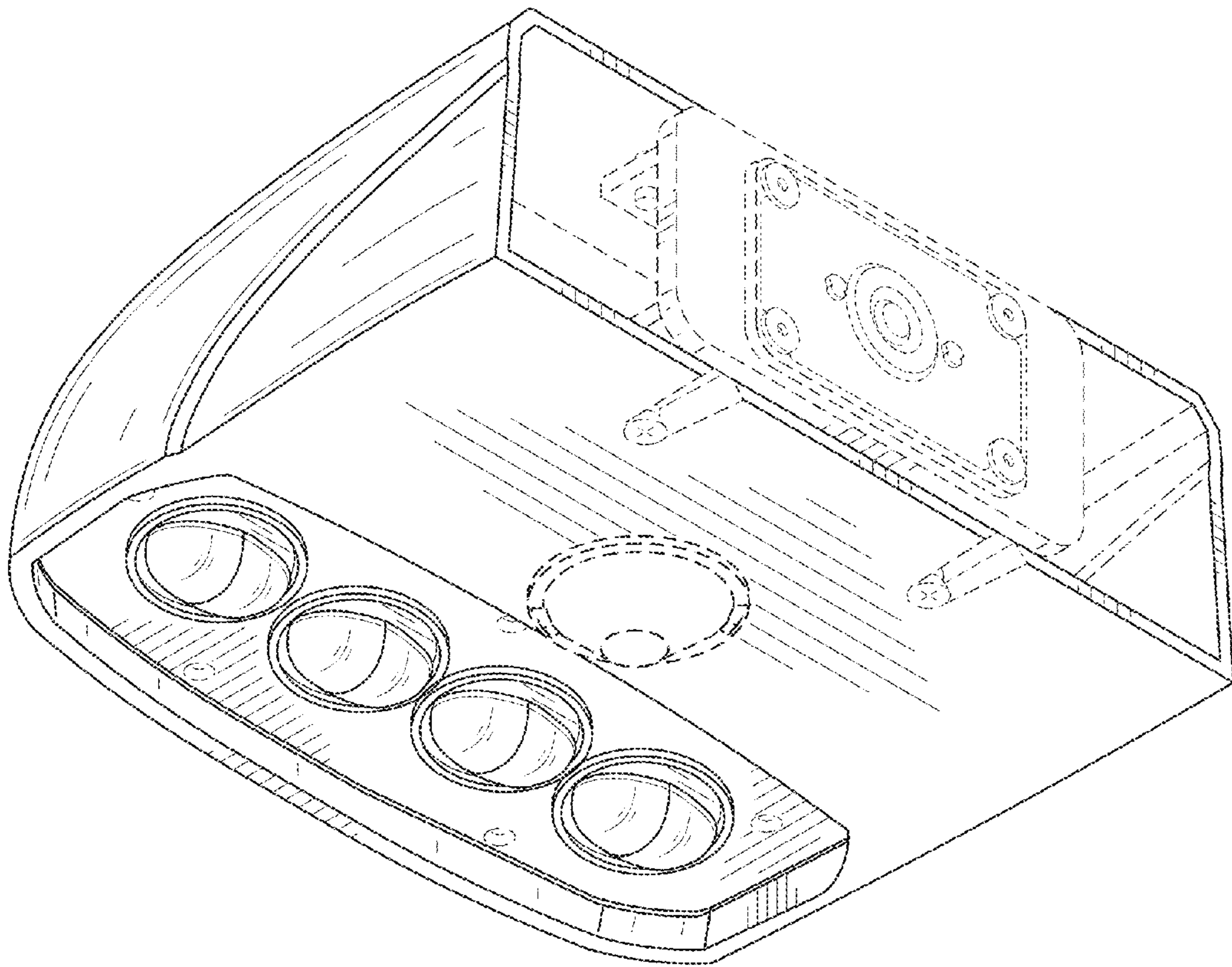
D688,406 S 8/2013 Goldy  
D691,320 S 10/2013 Guercio et al.  
8,858,021 B2 \* 10/2014 Kuo ..... 362/235  
8,858,024 B2 \* 10/2014 Wu et al. .... 362/244  
D728,142 S 4/2015 Dungan et al.

Restriction Requirement U.S. Appl. No. 29/481,410 dated Sep. 15,  
2014.

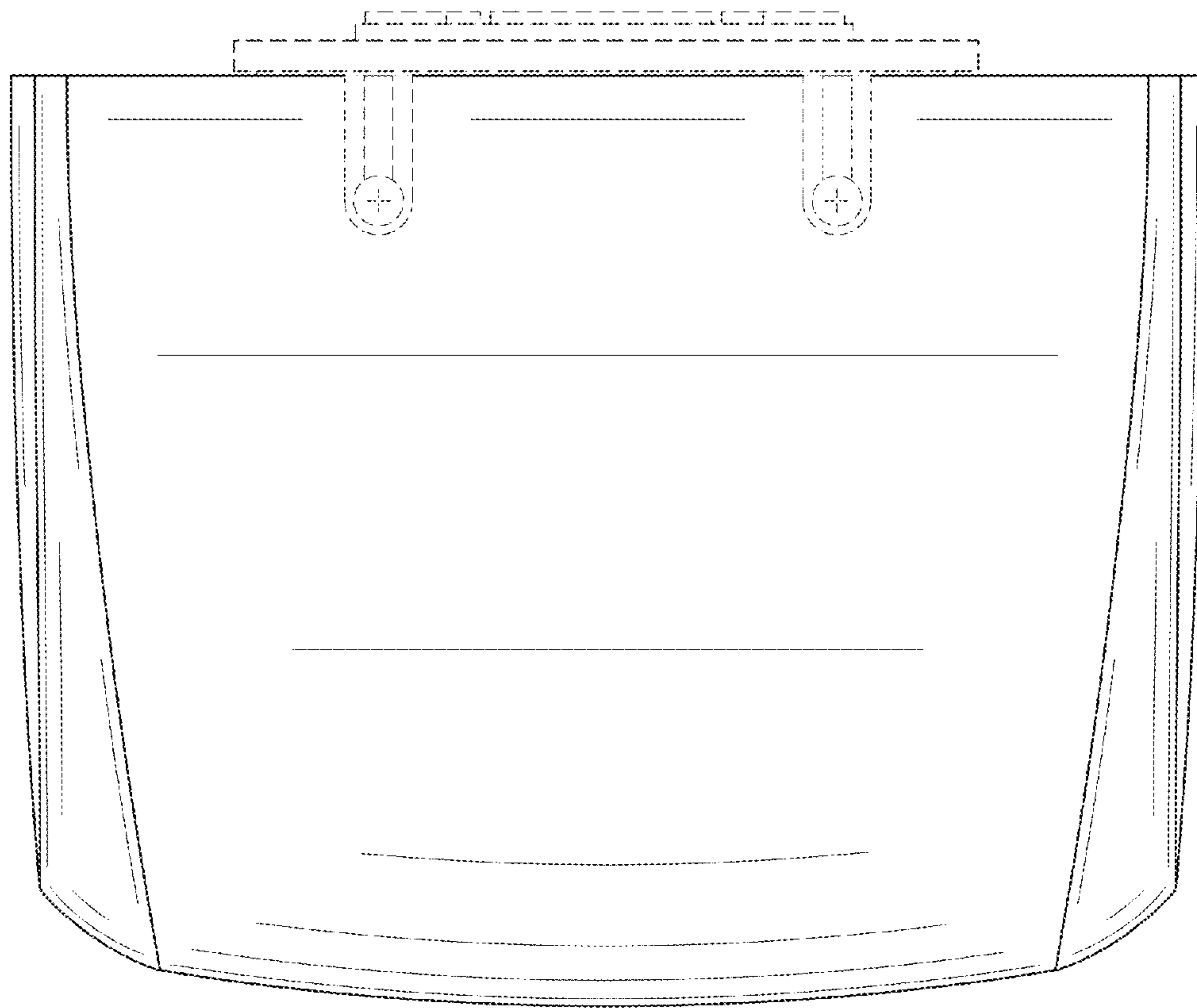
\* cited by examiner



**FIG. 1**

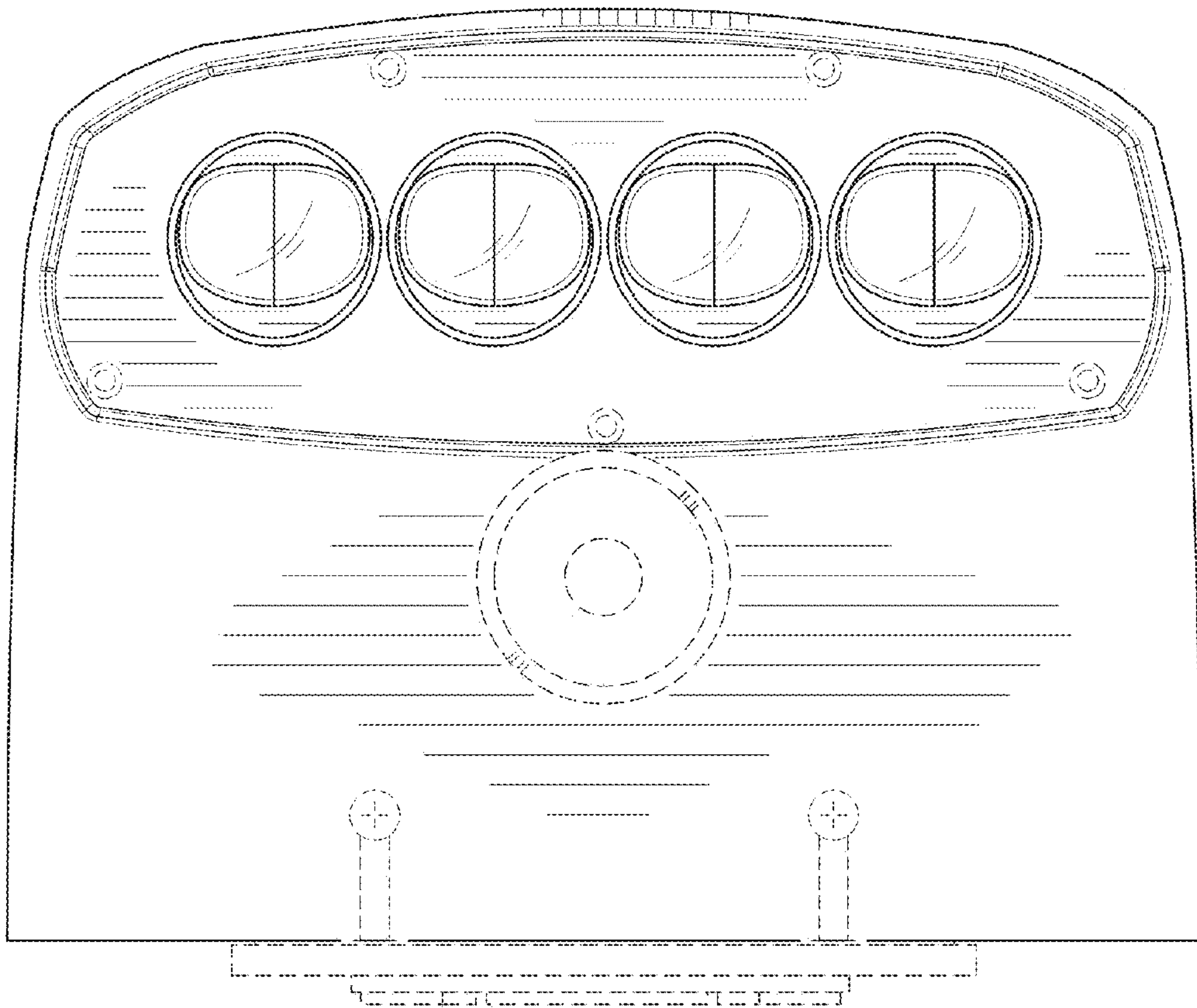


**FIG. 2**

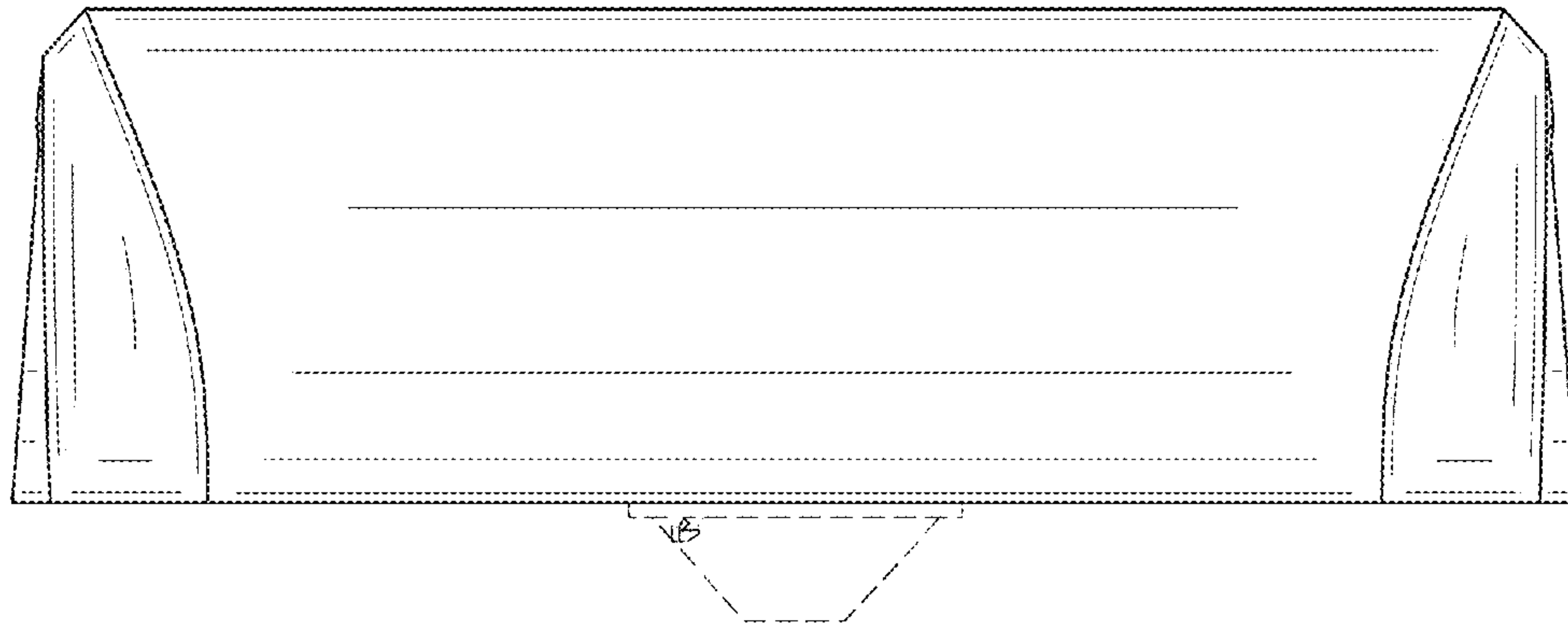


**FIG. 3**

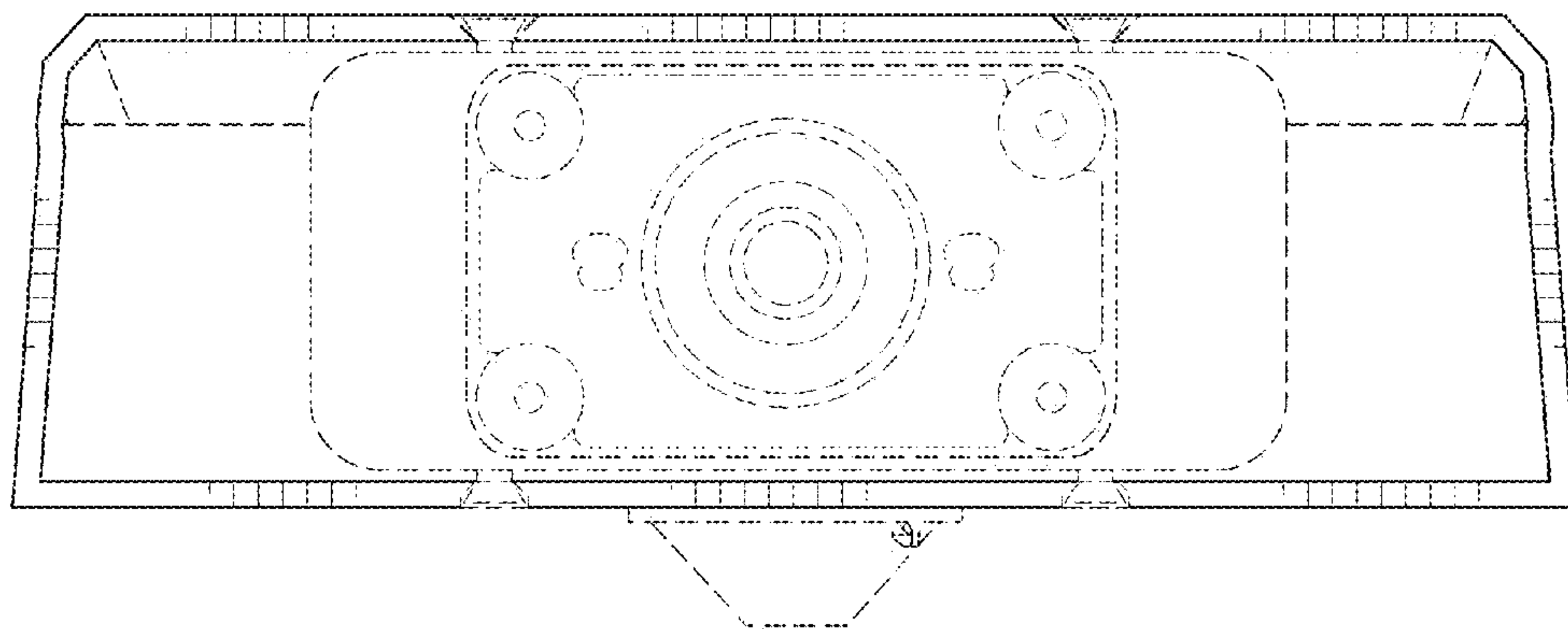




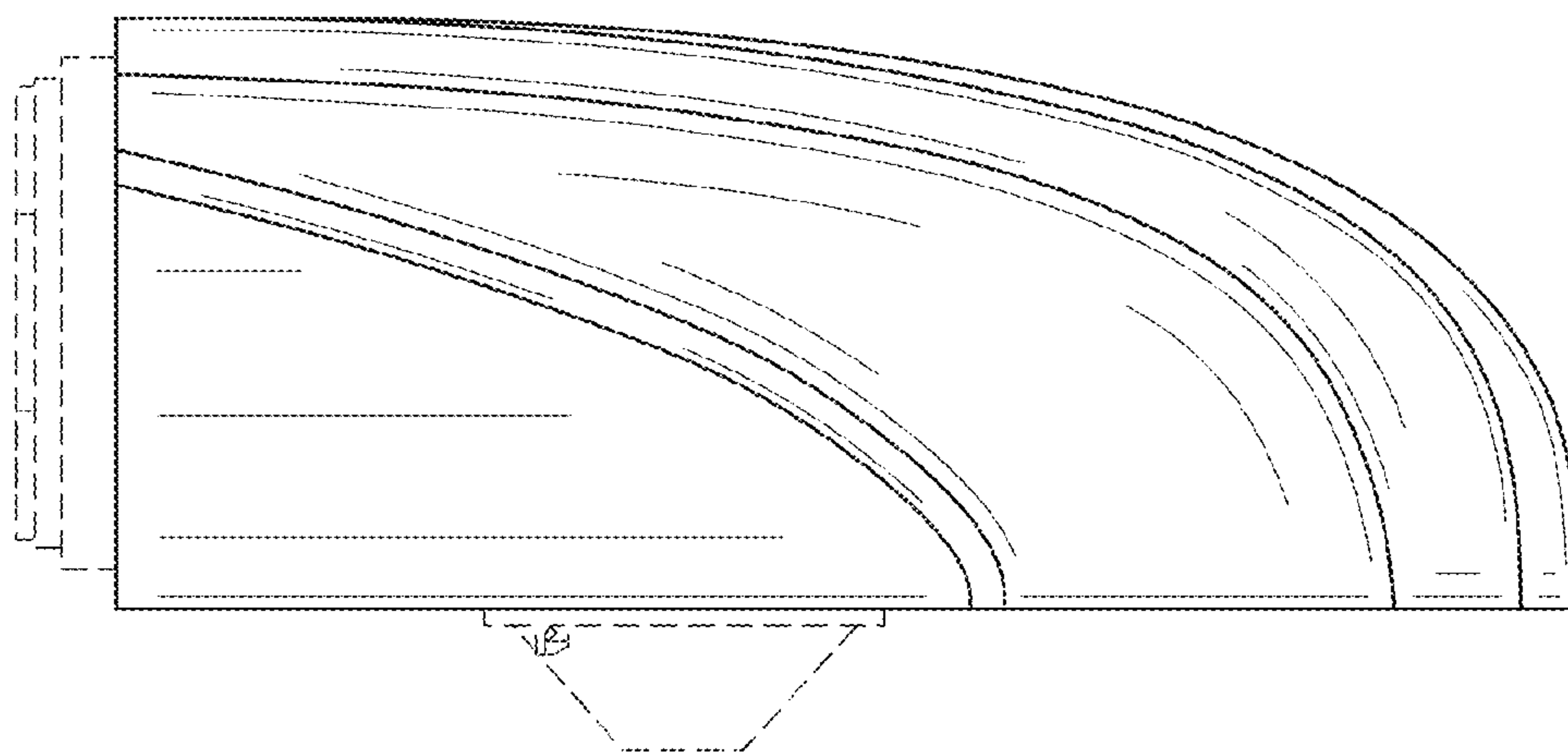
**FIG. 4**



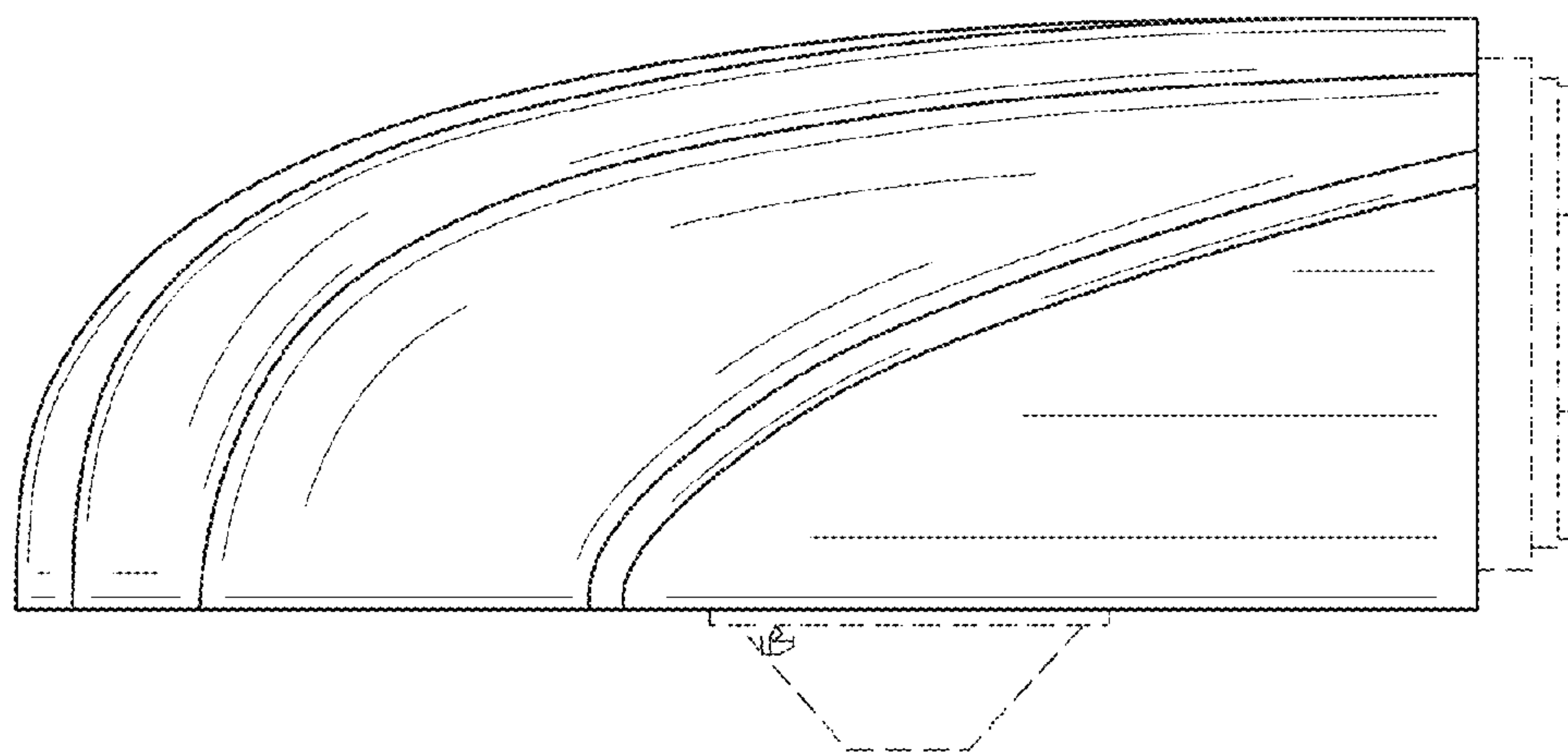
**FIG. 5**



**FIG. 6**



**FIG. 7**



**FIG. 8**