



US00D753862S

(12) **United States Design Patent**
Blomqvist

(10) **Patent No.:** **US D753,862 S**
(45) **Date of Patent:** **** Apr. 12, 2016**

(54) **LUMINAIRE**

(71) Applicant: **Auralight International AB**, Karlskrona (SE)

(72) Inventor: **Sophie Blomqvist**, Karlskrona (SE)

(73) Assignee: **AURALIGHT INTERNATIONAL AB**, Karlskrona (SE)

(**) Term: **14 Years**

(21) Appl. No.: **29/503,761**

(22) Filed: **Sep. 29, 2014**

(30) **Foreign Application Priority Data**

Mar. 28, 2014 (EM) 001407720-0001
Mar. 28, 2014 (EM) 001407720-0002

(51) **LOC (10) Cl.** **26-05**

(52) **U.S. Cl.**
USPC **D26/71**

(58) **Field of Classification Search**
USPC D26/24, 69-71, 72, 92, 118
CPC F21S 9/03; F21S 8/085; F21S 8/086;
F21W 2131/103; F21V 15/01; F21V 29/02
See application file for complete search history.

(56) **References Cited**

U.S. PATENT DOCUMENTS

D660,495 S * 5/2012 Walker D26/71
D666,351 S * 8/2012 Tsao D26/71

D693,513 S * 11/2013 Nibaldi D26/71
D698,479 S * 1/2014 Soni D26/71
2008/0298062 A1 * 12/2008 Wang F21S 2/005
362/247
2009/0244897 A1 * 10/2009 Anglikowski F21S 2/00
362/276
2009/0251906 A1 * 10/2009 Liu F21S 8/086
362/431
2012/0262917 A1 * 10/2012 Courcelle F21V 15/01
362/235
2013/0027937 A1 * 1/2013 Winters F21S 2/00
362/249.01
2014/0126214 A1 * 5/2014 Gebhard F21V 29/02
362/294
2015/0219329 A1 * 8/2015 Kim F21V 29/006
362/249.02

* cited by examiner

Primary Examiner — Clare E Heflin

(74) *Attorney, Agent, or Firm* — Knobbe Martens Olson & Bear LLP

(57) **CLAIM**

The ornamental design for a luminaire, as shown.

DESCRIPTION

FIG. 1 is a front left bottom perspective view of a luminaire showing my new design.

FIG. 2 is a rear elevational view thereof.

FIG. 3 is a bottom plan view thereof.

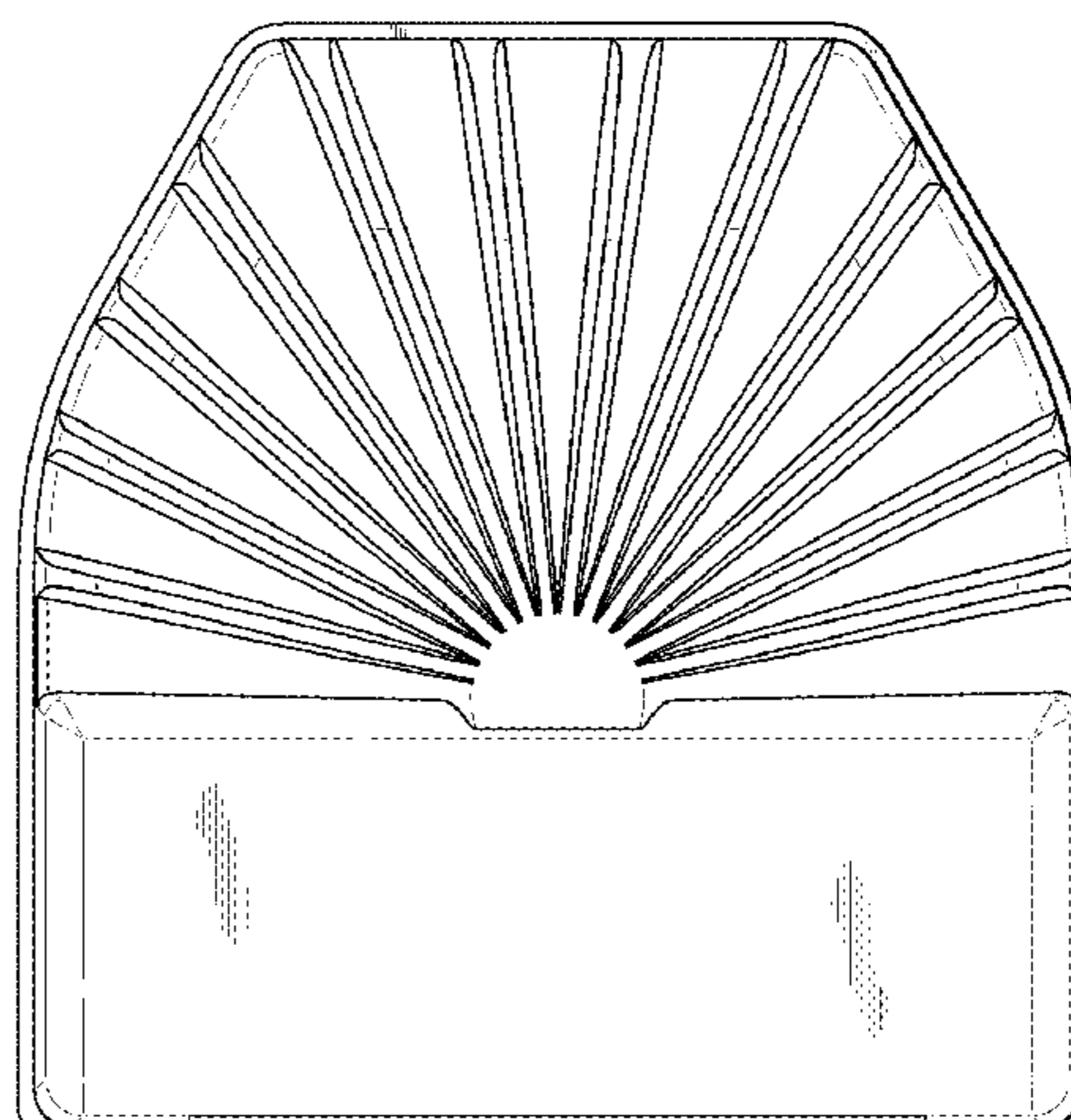
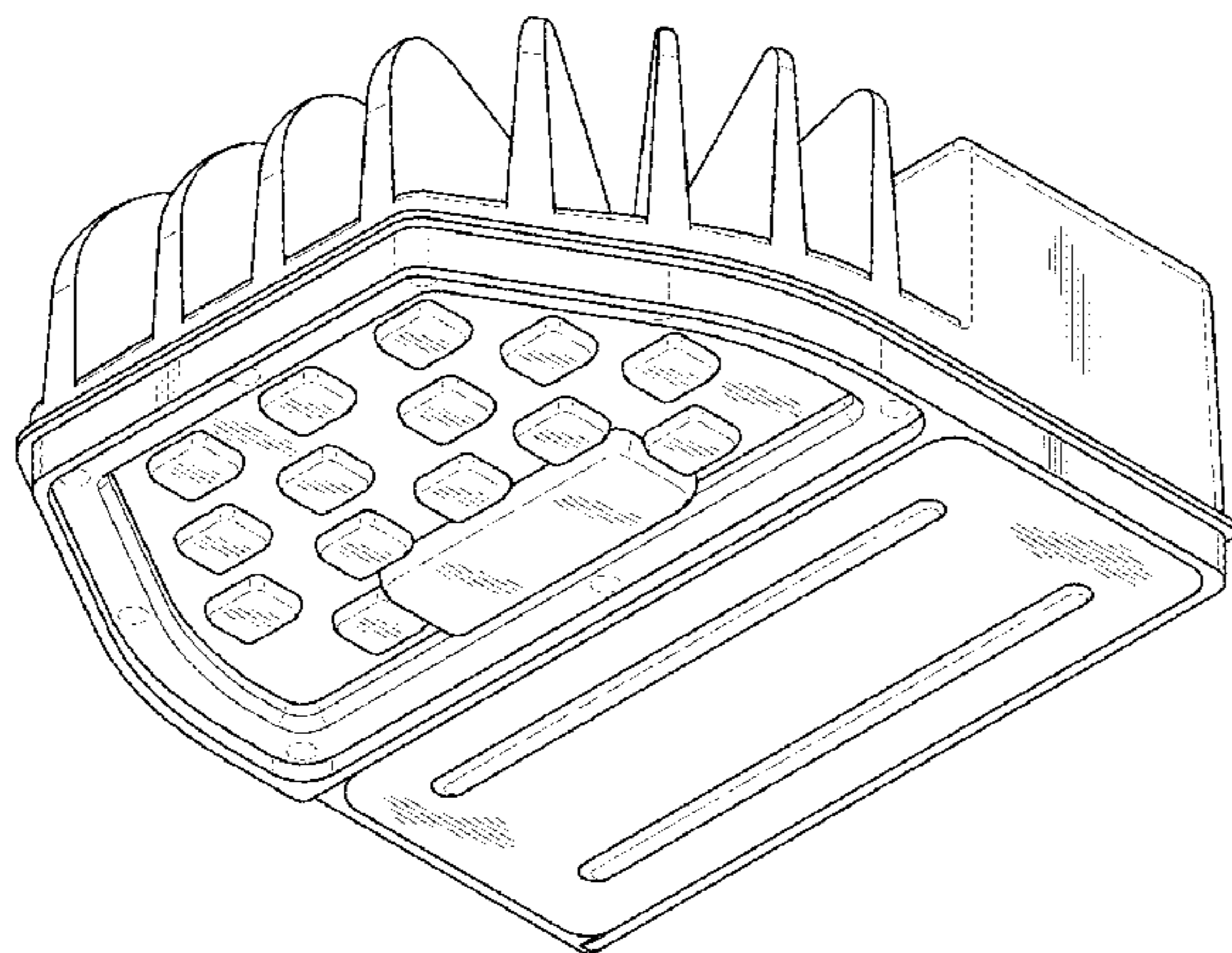
FIG. 4 is a top plan view thereof.

FIG. 5 is a left side elevational view thereof.

FIG. 6 is a right side elevational view thereof; and,

FIG. 7 is a front elevational view thereof.

1 Claim, 7 Drawing Sheets



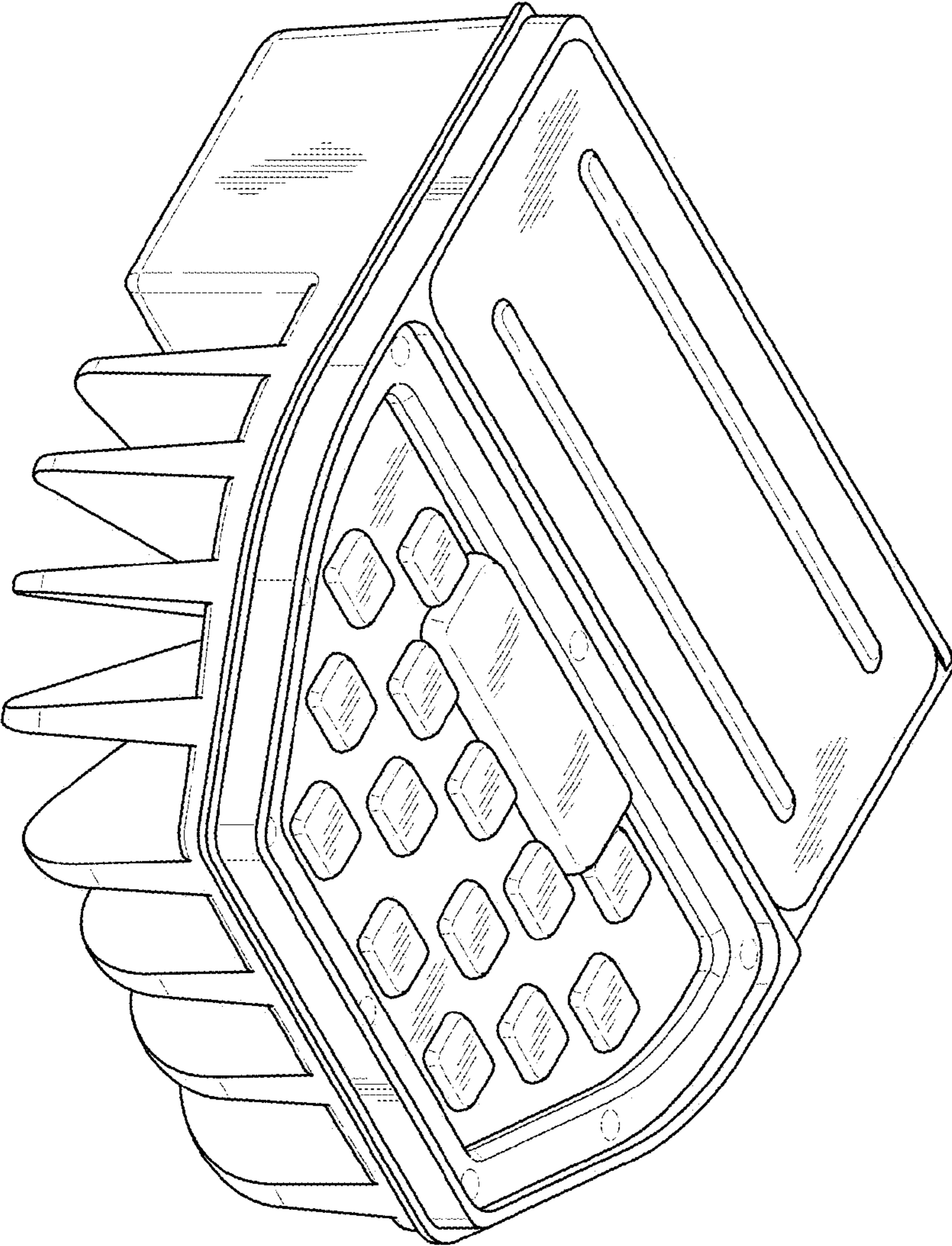


FIG. 1

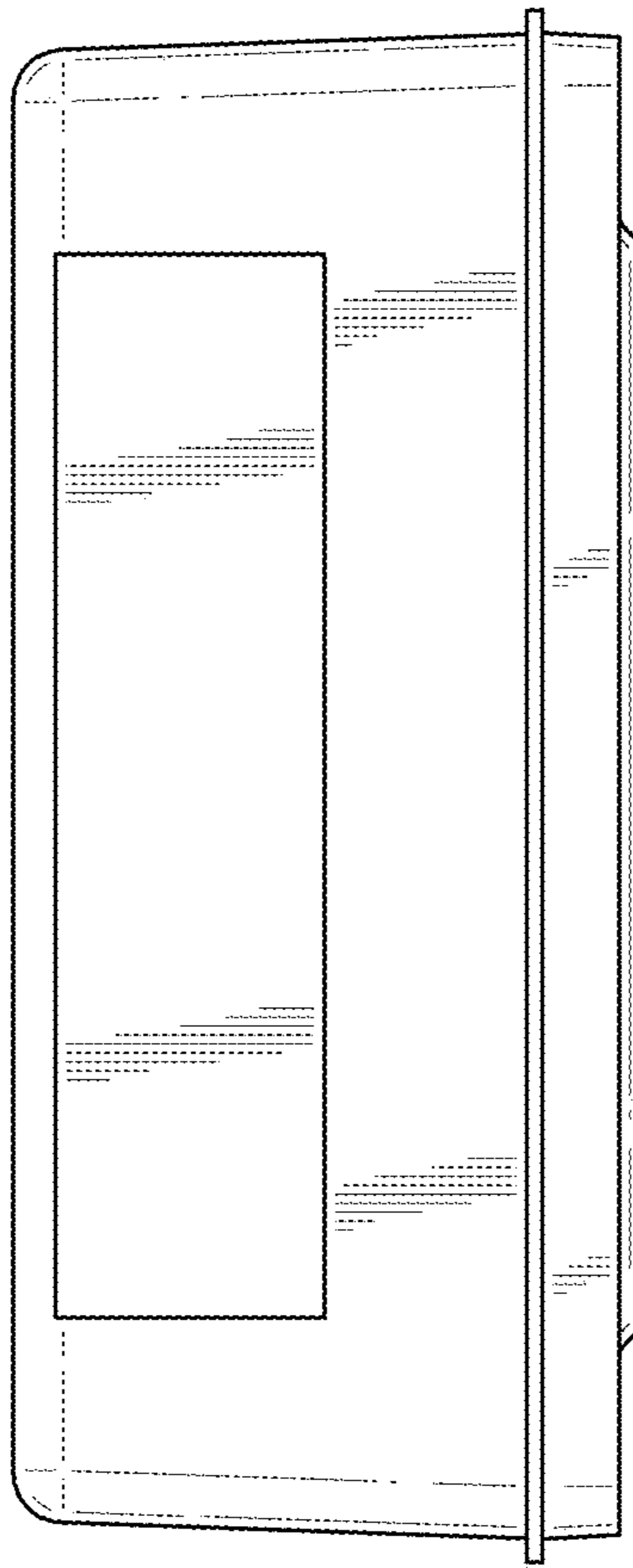


FIG. 2

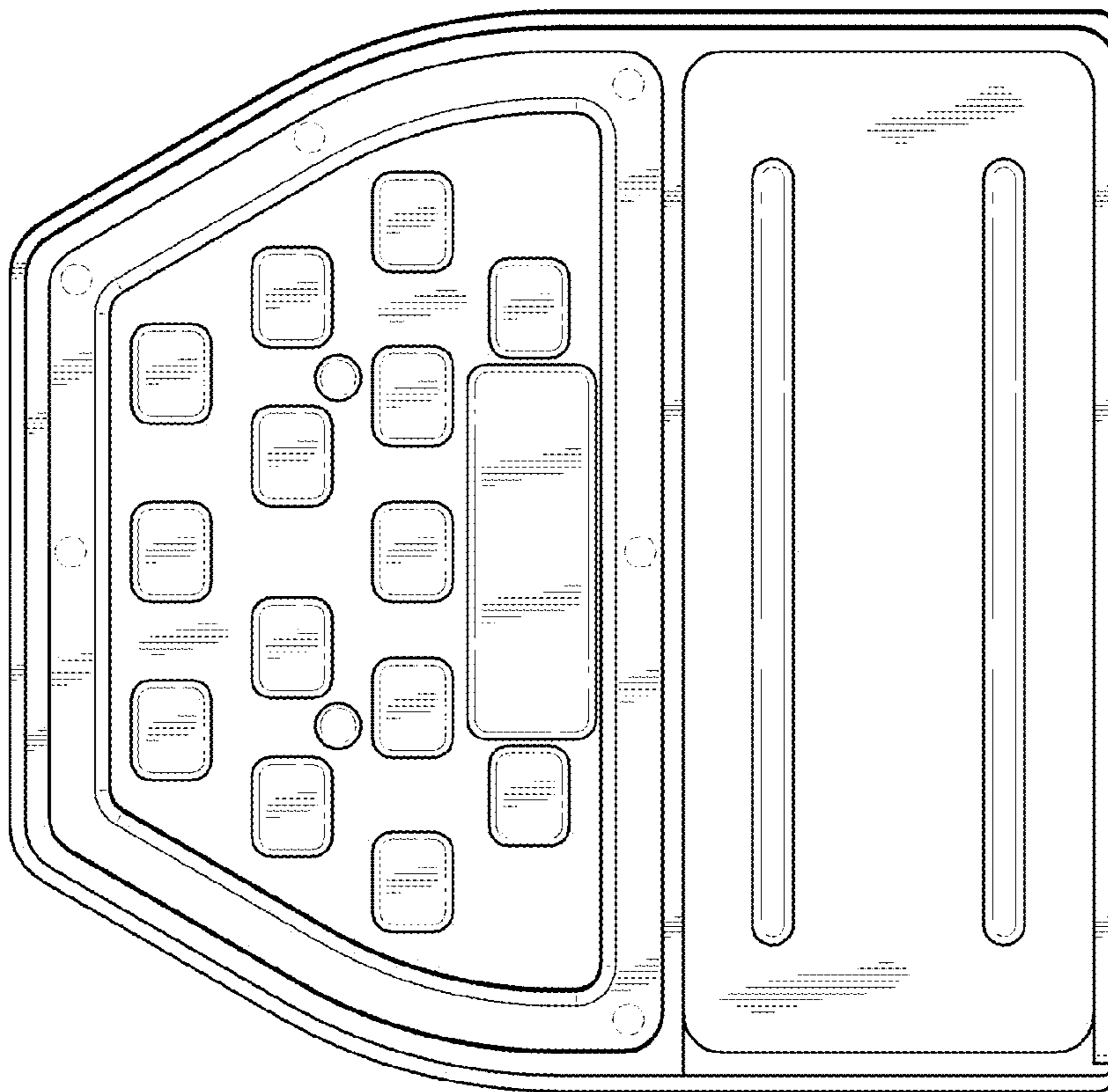


FIG. 3

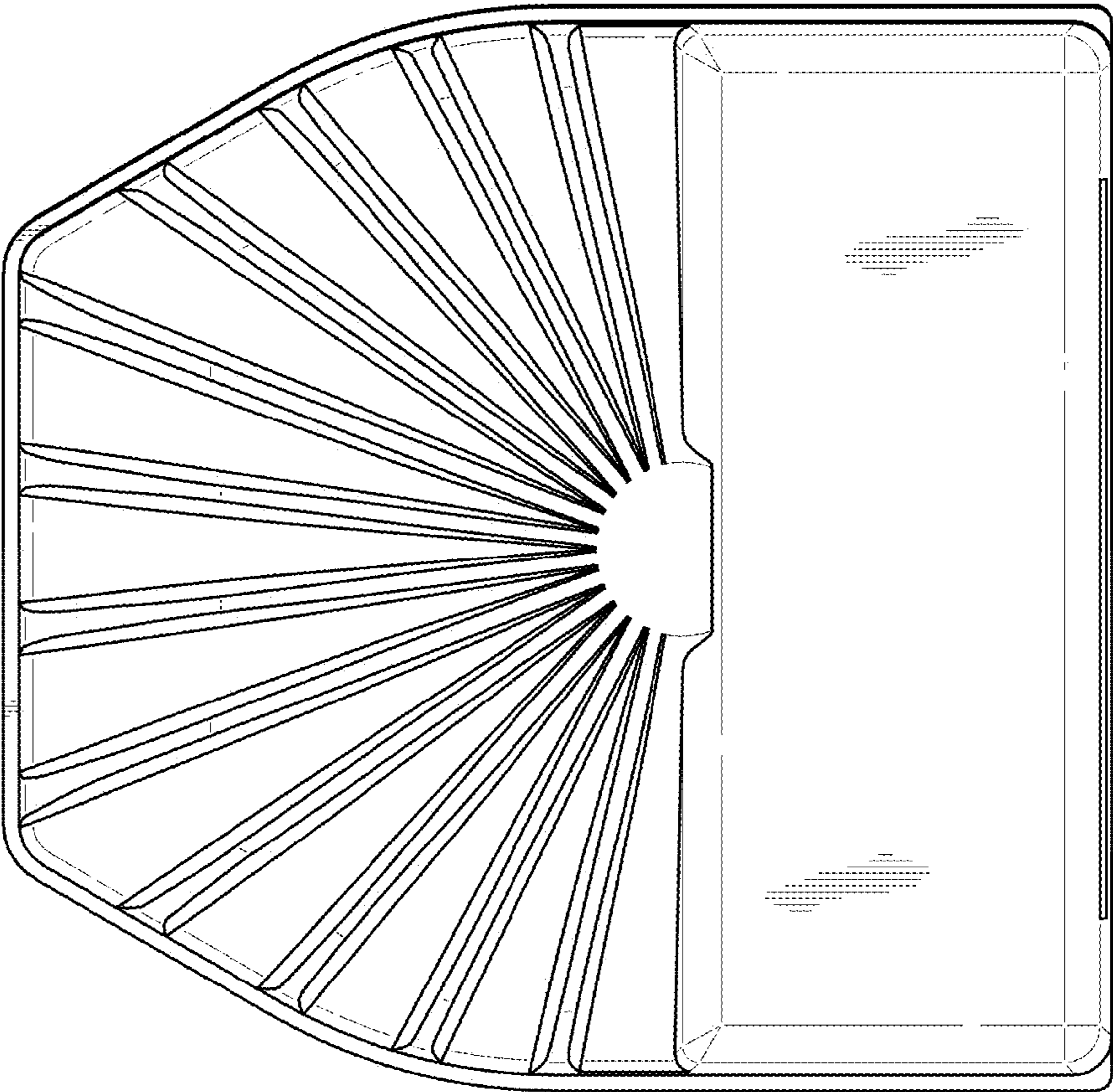


FIG. 4

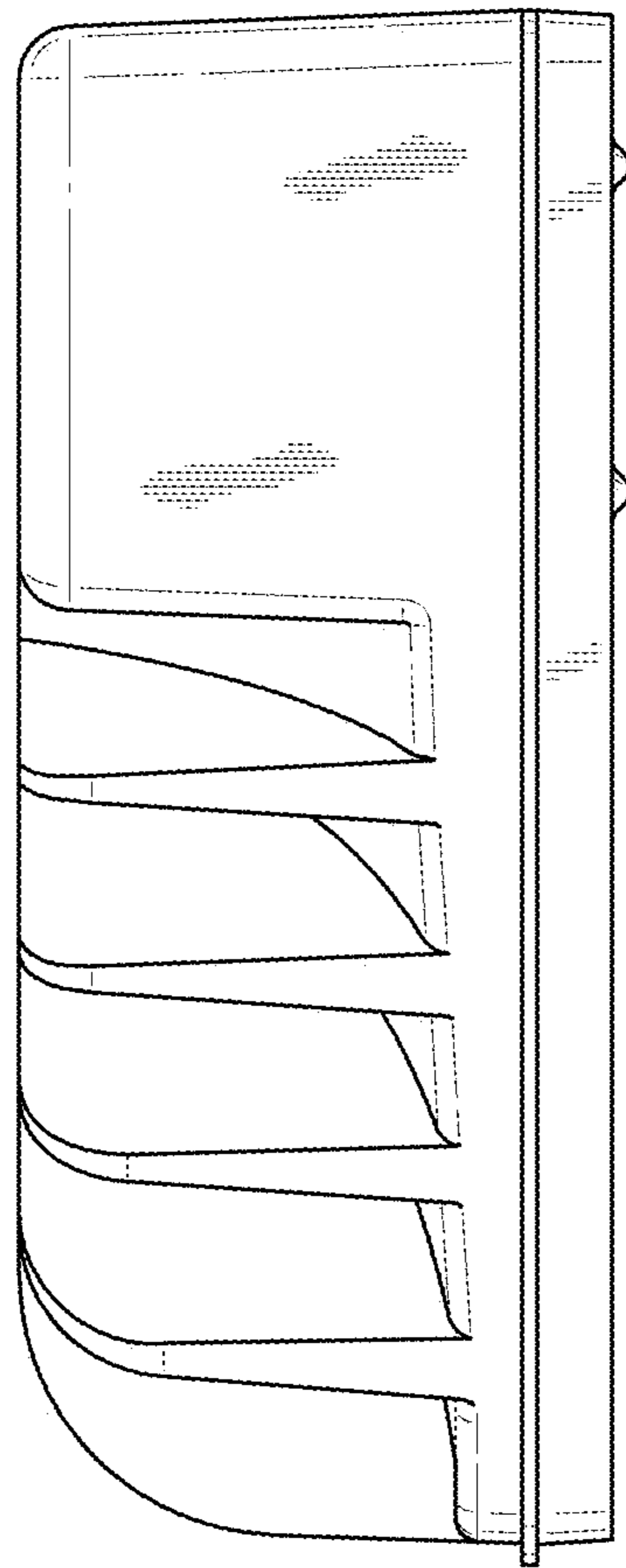


FIG. 5

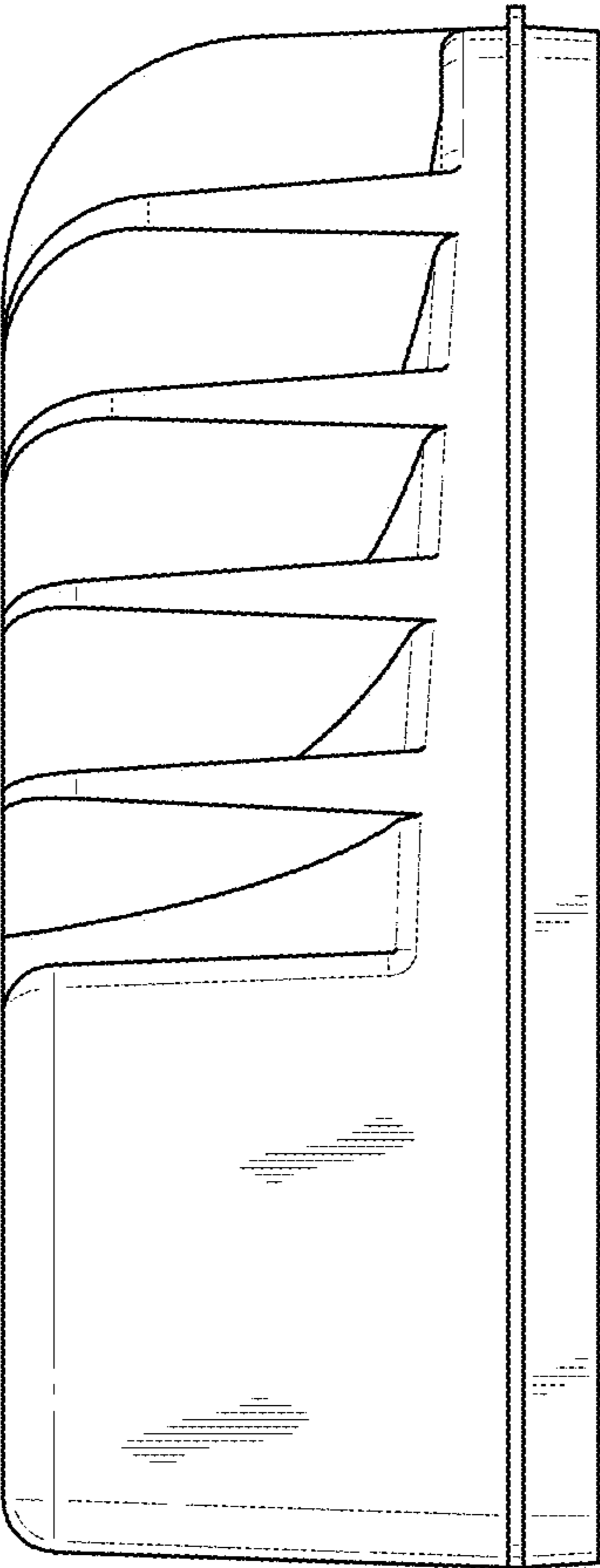


FIG. 6

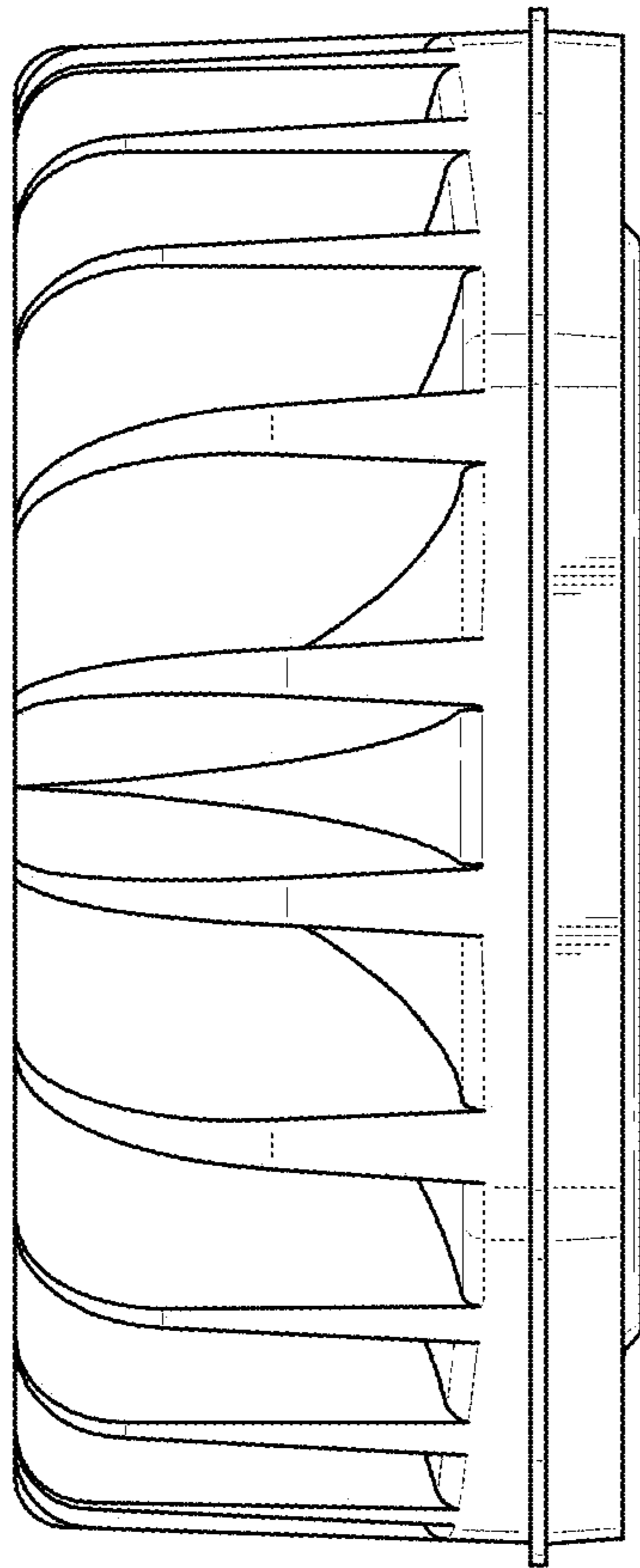


FIG. 7