



US00D753861S

(12) **United States Design Patent**  
**Yong Joon**

(10) **Patent No.:** **US D753,861 S**  
(45) **Date of Patent:** **\*\* Apr. 12, 2016**

(54) **LAMP**

D654,199 S \* 2/2012 Xie ..... D26/63  
D665,938 S \* 8/2012 Kim et al. .... D26/63  
D729,964 S \* 5/2015 Huh ..... D26/63

(71) Applicant: **3M INNOVATIVE PROPERTIES COMPANY**, St. Paul, MN (US)

FOREIGN PATENT DOCUMENTS

(72) Inventor: **Choi Yong Joon**, Seoul (KR)

JP 1360870 6/2009  
KR 10-20080087242 10/2008  
KR 10-20090034411 4/2009  
KR 10-20090062318 6/2009  
KR 10-200923646 10/2009  
KR 10-20100003149 1/2010  
KR 10-20100016798 2/2010  
KR 10-20100027121 3/2010  
KR 10-20110029277 3/2011  
KR 10-20120001767 1/2012  
TW D134022 3/2010

(73) Assignee: **3M INNOVATIVE PROPERTIES COMPANY**, St. Paul, MN (US)

(\*\*) Term: **14 Years**

(21) Appl. No.: **29/490,922**

(22) Filed: **May 15, 2014**

\* cited by examiner

(51) **LOC (10) Cl.** ..... **26-03**

*Primary Examiner* — Brian N Vinson

(52) **U.S. Cl.**  
USPC ..... **D26/63**

(74) *Attorney, Agent, or Firm* — Irina Hass

(58) **Field of Classification Search**  
USPC ..... D26/1, 24, 61, 63, 65, 85, 92  
CPC ..... F21V 21/14; F21V 15/01; F21V 14/02;  
F21V 21/30; F21V 21/00; F21V 14/00;  
F21S 8/00; F21S 8/003; F21S 8/043; F21Y  
2105/001

(57) **CLAIM**

The ornamental design for a lamp, as shown and described.

See application file for complete search history.

**DESCRIPTION**

FIG. 1 is a perspective view of a lamp showing the new design;

FIG. 2 is a left side view thereof, a right side view being a mirror image thereof;

FIG. 3 is a front view thereof;

FIG. 4 is a rear view thereof;

FIG. 5 is a top view thereof;

FIG. 6 is a bottom view thereof; and,

FIG. 7 is a perspective view thereof in a closed position.

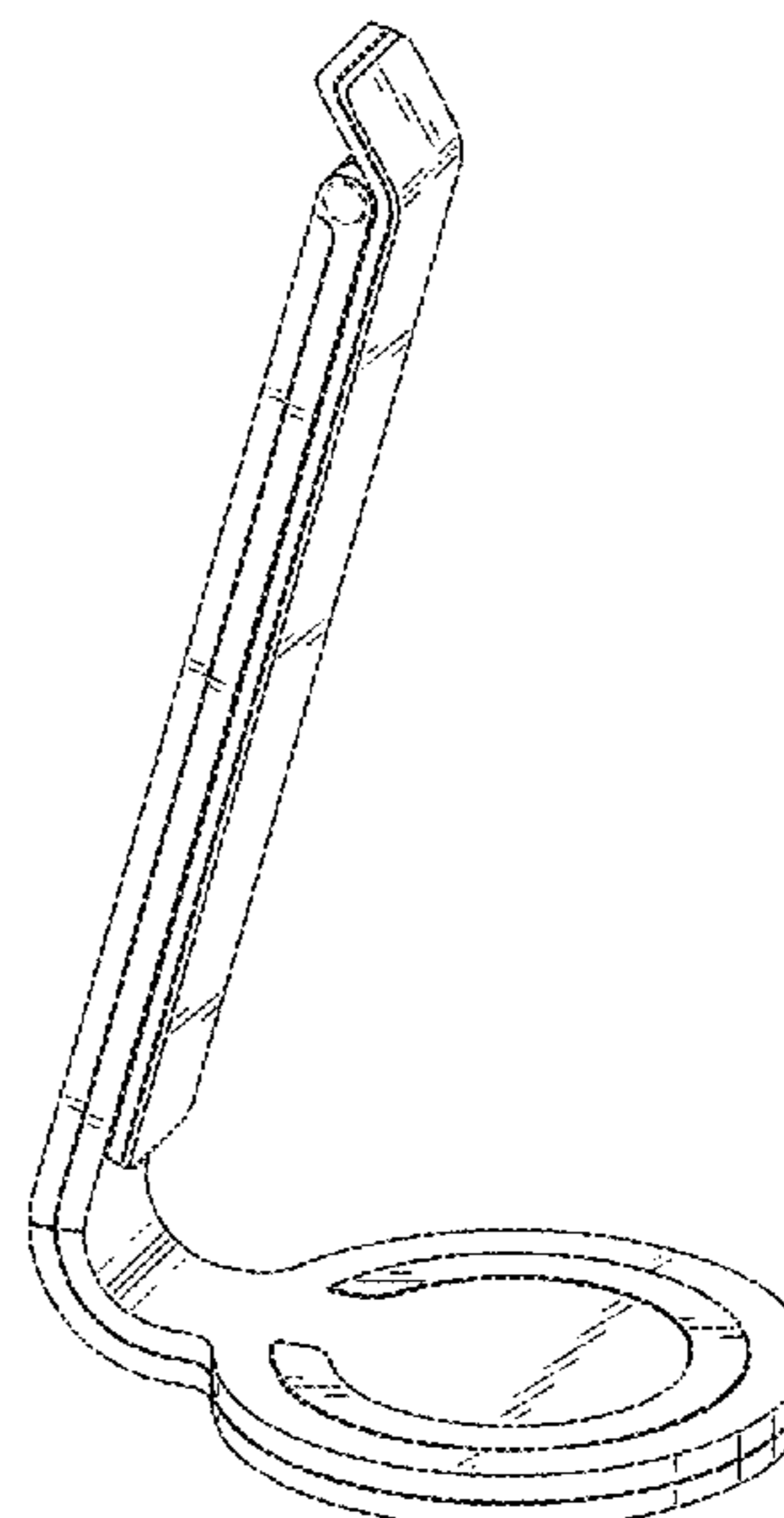
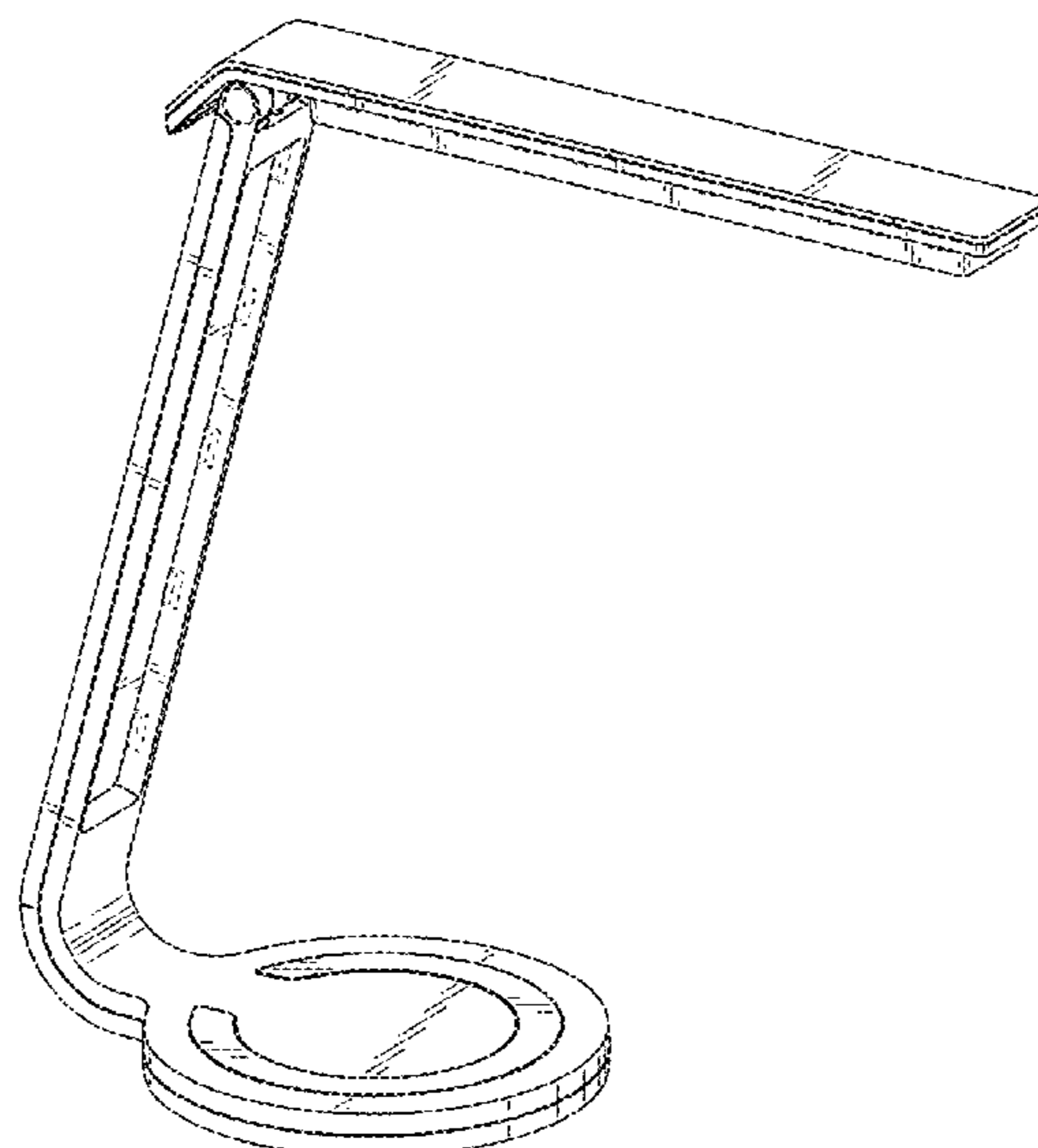
The portions of the lamp in Figures shown in broken lines are included to show features that form no part of the claimed design.

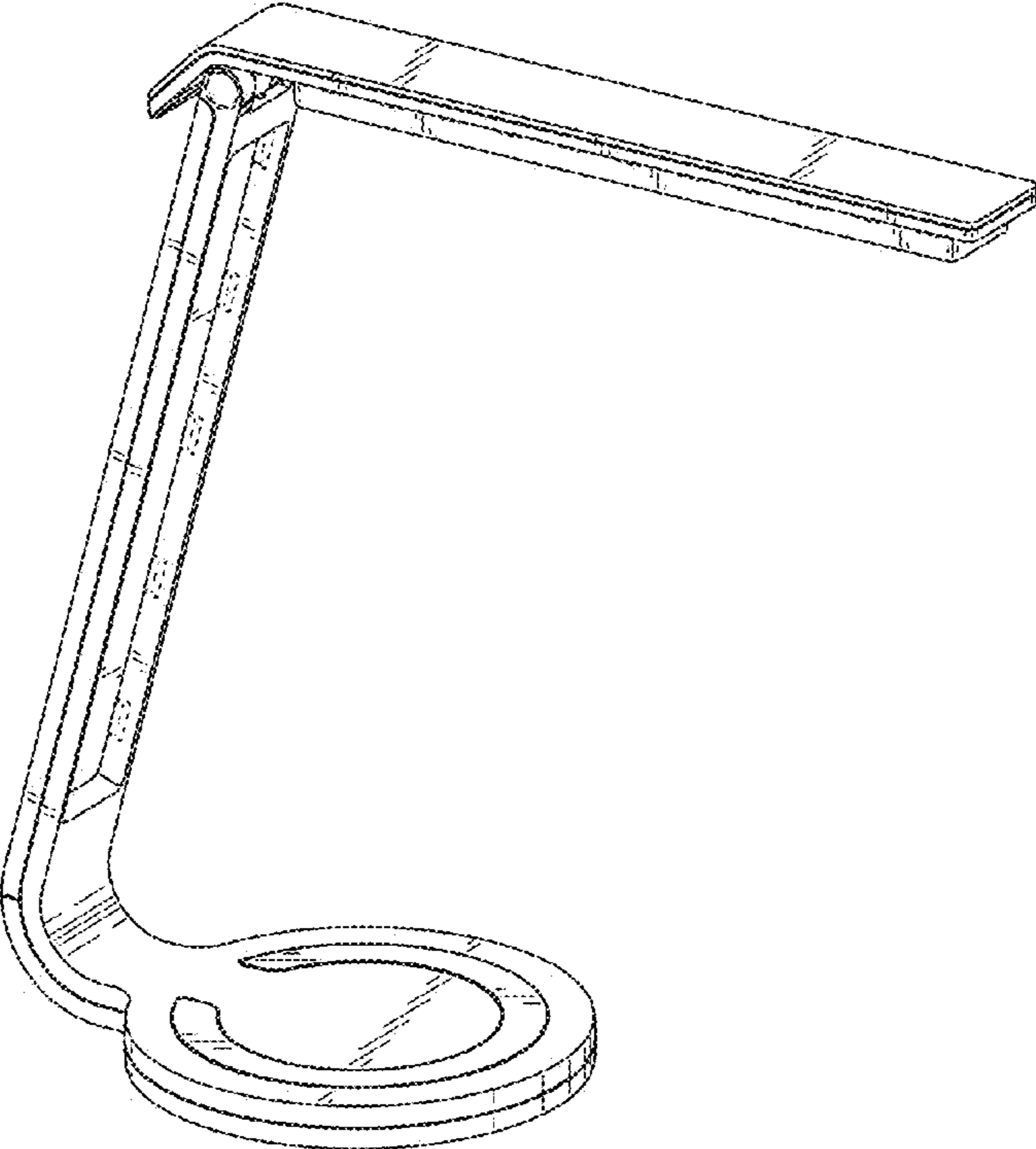
(56) **References Cited**

U.S. PATENT DOCUMENTS

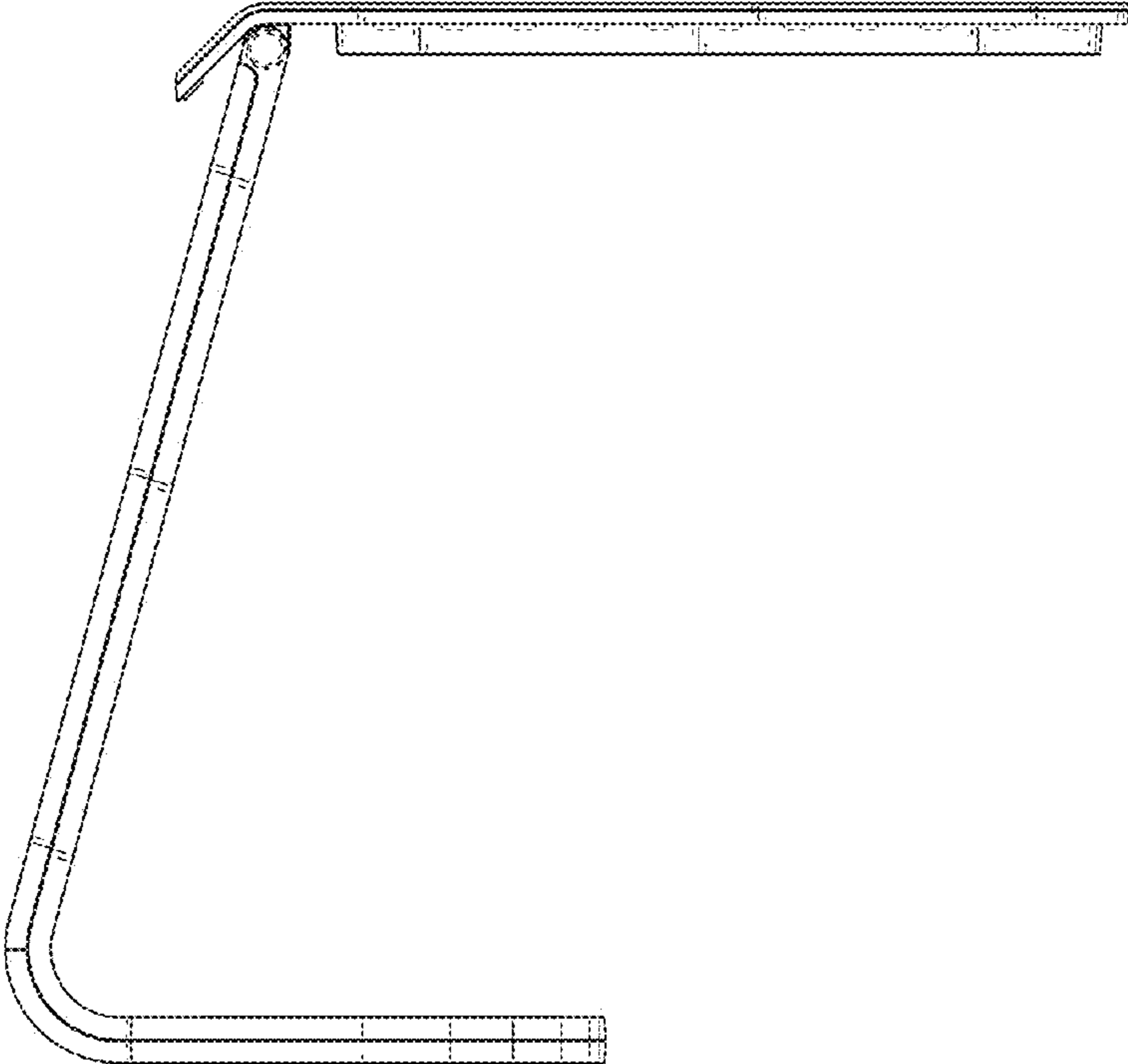
D122,711 S \* 9/1940 May ..... D26/63  
D386,273 S \* 11/1997 Yan ..... D26/63  
D618,844 S 6/2010 Huang  
D627,501 S \* 11/2010 Lin et al. .... D26/65  
D628,331 S \* 11/2010 Tang et al. .... D26/63  
D637,331 S \* 5/2011 Lee ..... D26/63  
D642,475 S 8/2011 Crutchley  
D651,734 S \* 1/2012 Li ..... D26/63

**1 Claim, 3 Drawing Sheets**

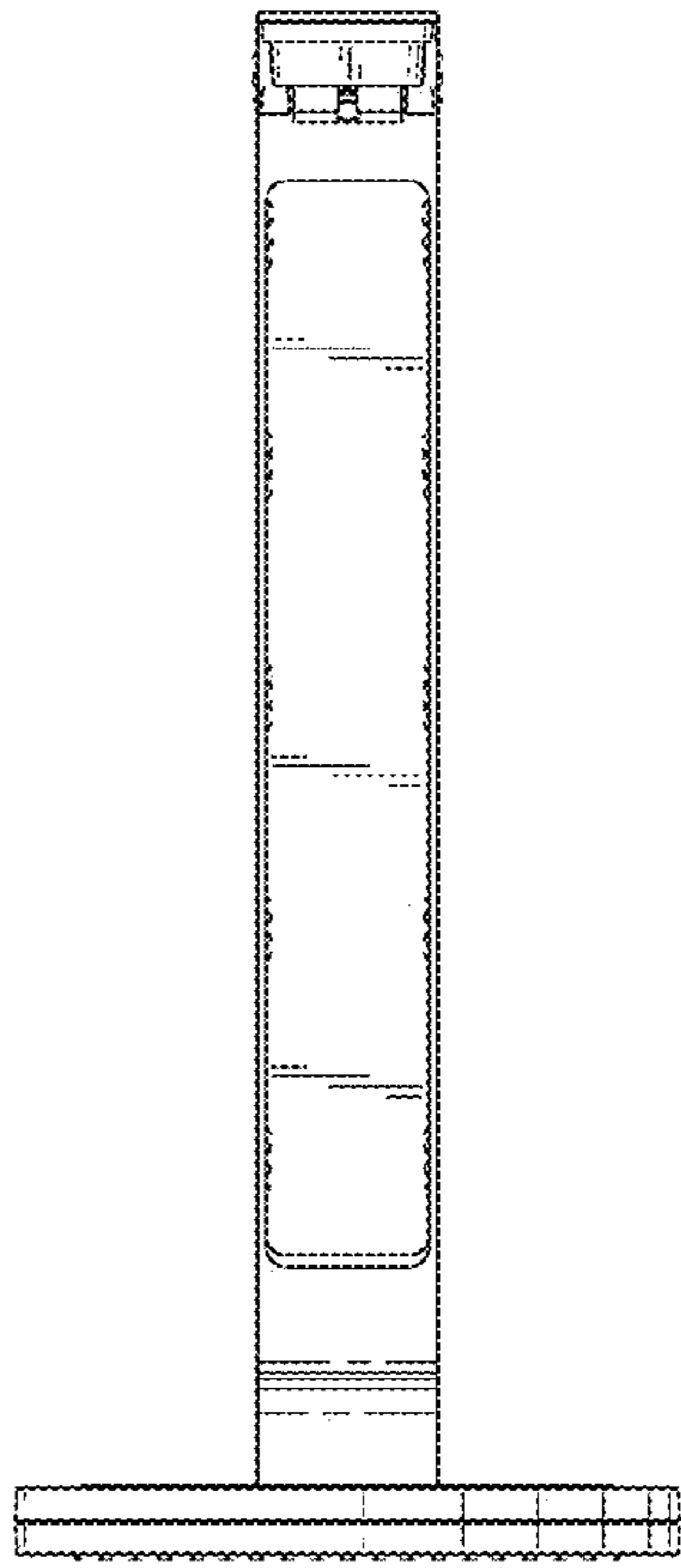




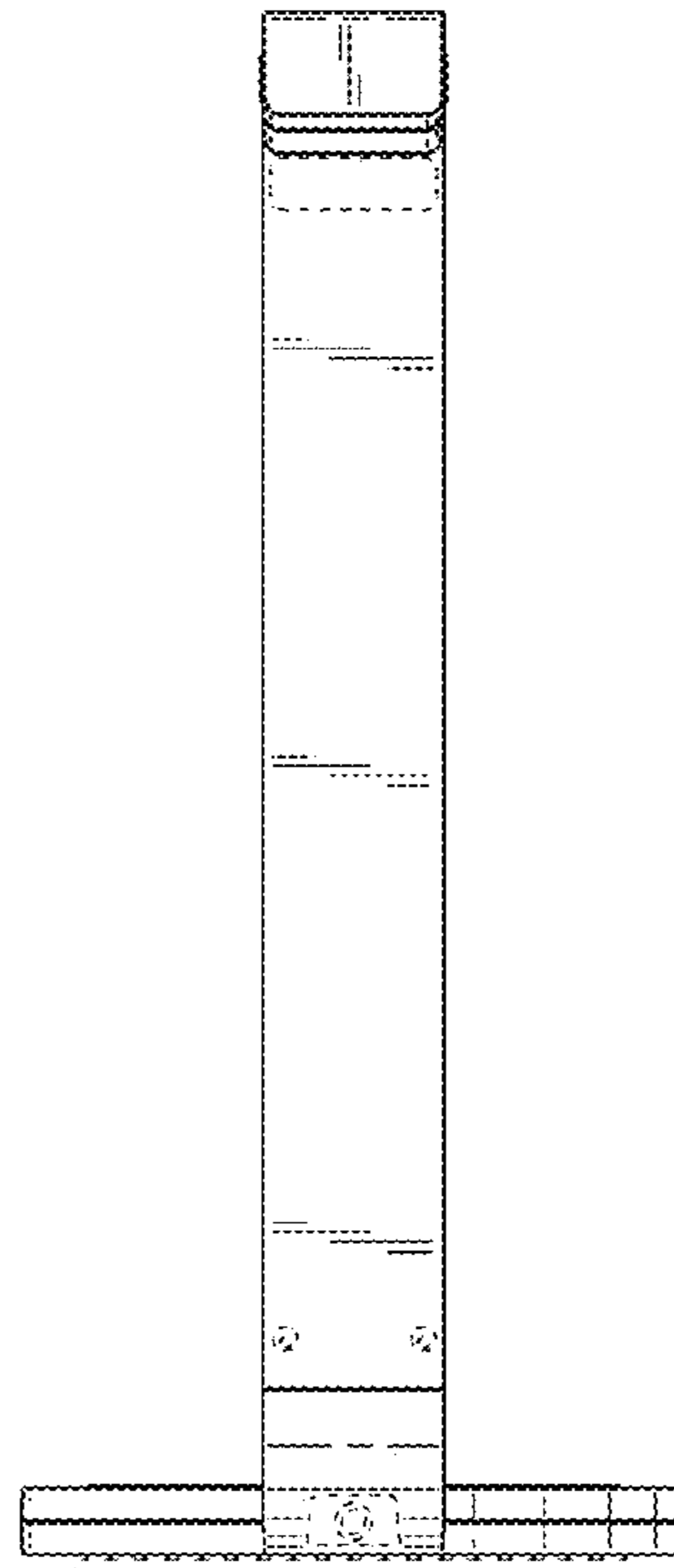
*Fig. 1*



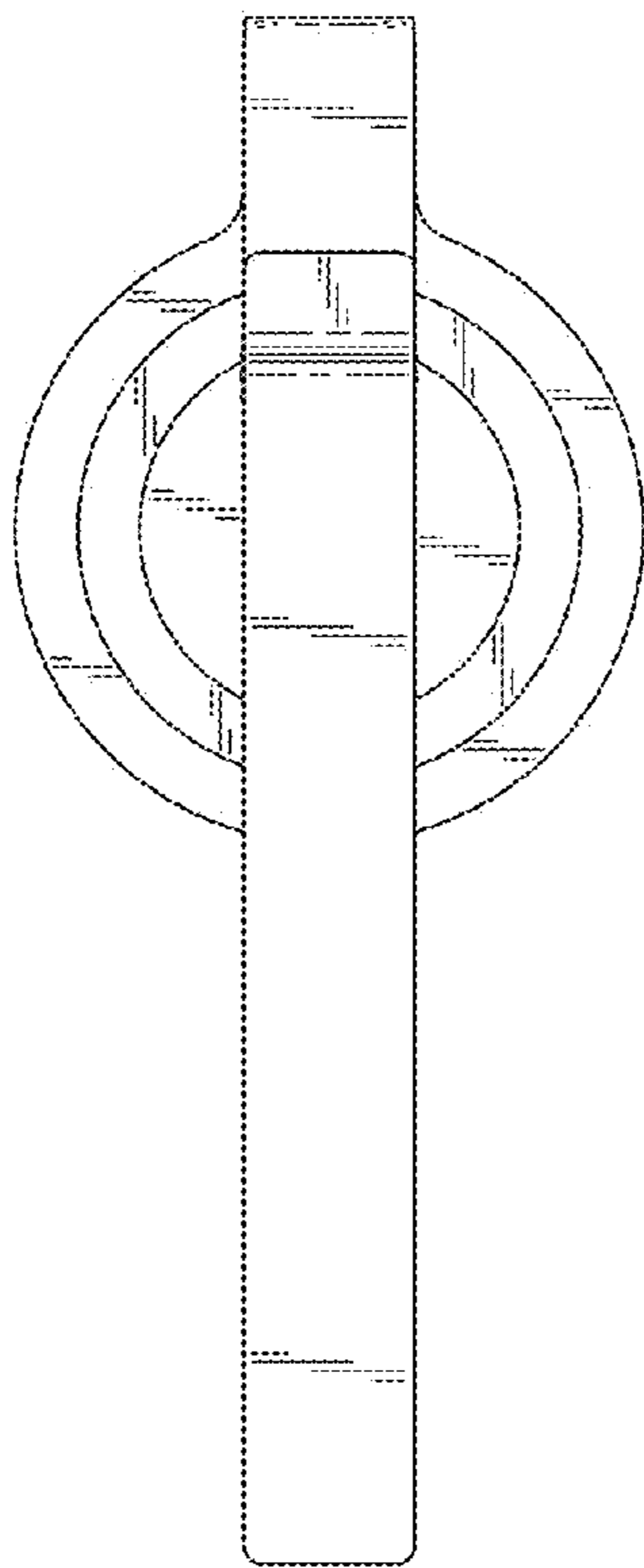
*Fig. 2*



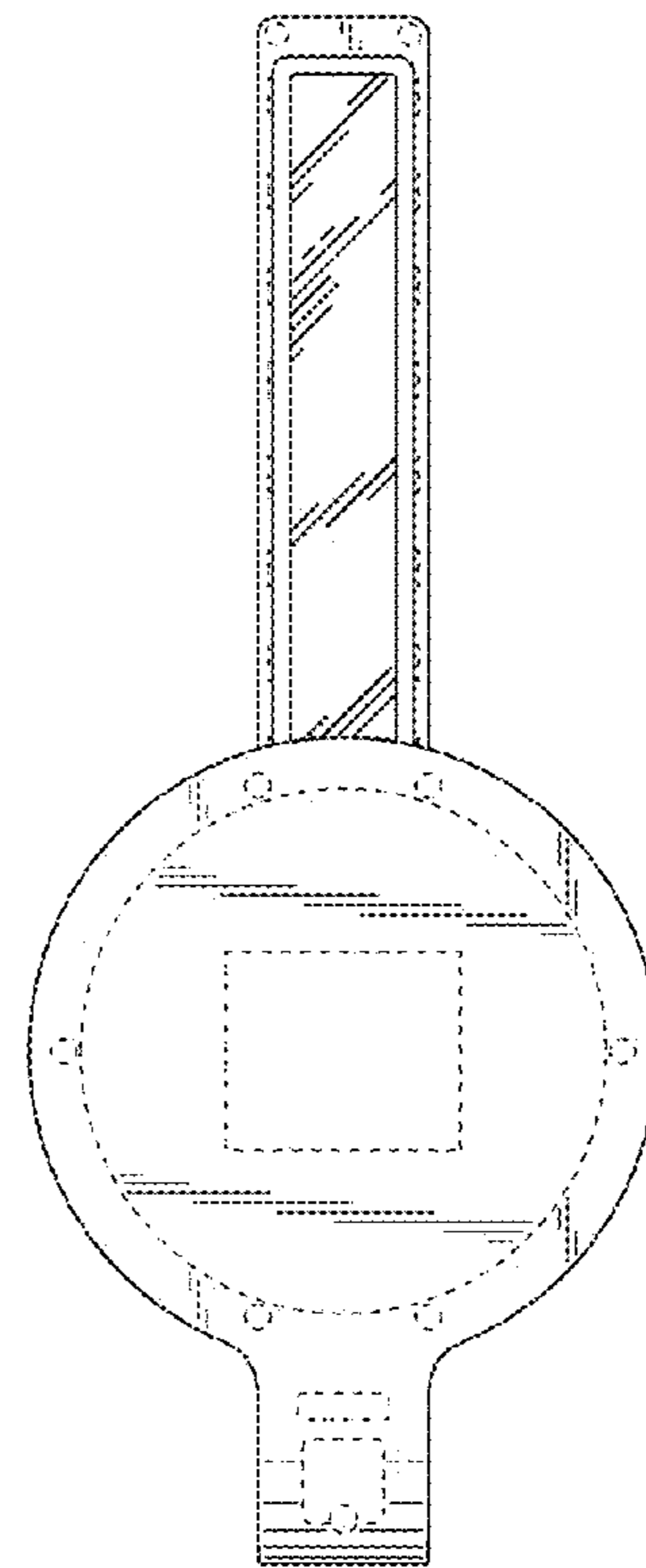
*Fig. 3*



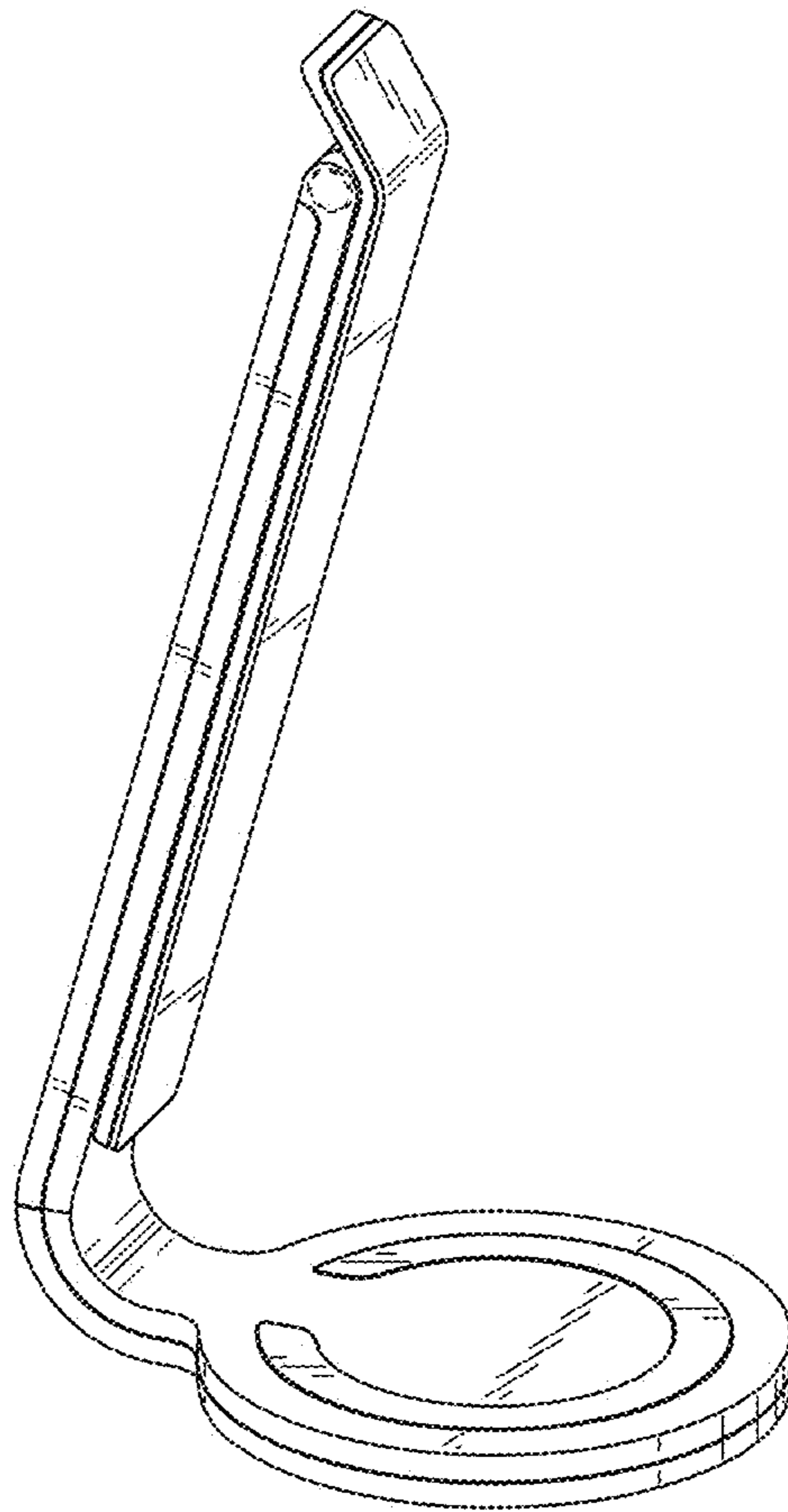
*Fig. 4*



*Fig. 5*



*Fig. 6*



*Fig. 7*