



US00D753856S

(12) **United States Design Patent**  
**Iwaki**

(10) **Patent No.:** **US D753,856 S**

(45) **Date of Patent:** **\*\* Apr. 12, 2016**

(54) **SIGNAL LIGHT**

(71) Applicant: **Hosiden Corporation**, Yao-shi, Osaka  
(JP)

(72) Inventor: **Toshikazu Iwaki**, Yao (JP)

(73) Assignee: **HOSIDEN CORPORATION**, Yao-Shi  
(JP)

(\*\*) Term: **14 Years**

(21) Appl. No.: **29/518,672**

(22) Filed: **Feb. 26, 2015**

(30) **Foreign Application Priority Data**

Sep. 4, 2014 (JP) ..... 2014-019488

(51) **LOC (10) Cl.** ..... **26-02**

(52) **U.S. Cl.**  
USPC ..... **D26/37; D10/114.9**

(58) **Field of Classification Search**  
USPC ..... D10/114.1, 114.2, 114.9; D26/38, 37;  
D13/102

CPC ..... G04G 11/00; A01K 27/006  
See application file for complete search history.

(56) **References Cited**

**U.S. PATENT DOCUMENTS**

D475,149 S \* 5/2003 Chun ..... D26/37  
D485,627 S \* 1/2004 Chun ..... D26/37

D518,584 S \* 4/2006 Chan ..... D26/37  
D571,492 S \* 6/2008 Lee ..... D26/37  
D602,186 S \* 10/2009 Lee ..... D26/37  
D615,676 S \* 5/2010 Lee ..... D26/37  
D631,586 S \* 1/2011 Li ..... D26/37  
D664,692 S \* 7/2012 Opolka ..... D26/37  
D739,973 S \* 9/2015 Chao ..... D13/108  
D740,985 S \* 10/2015 Dooley ..... D26/37  
D747,263 S \* 1/2016 Lafferty ..... D13/102

\* cited by examiner

*Primary Examiner* — George D Kirschbaum

(74) *Attorney, Agent, or Firm* — Rankin, Hill & Clark LLP

(57) **CLAIM**

The ornamental design for a signal light, as shown and described.

**DESCRIPTION**

FIG. 1 is a front, right side and bottom perspective view of a signal light, showing my new design;

FIG. 2 is a rear, right side and bottom perspective view thereof;

FIG. 3 is a front elevation view thereof;

FIG. 4 is a rear elevation view thereof;

FIG. 5 is a left side view thereof, a right side view being a mirror image thereof;

FIG. 6 is a top plan view thereof; and,

FIG. 7 is a bottom plan view thereof.

The broken line showing of indicia is included for the purpose of illustrating portions of the “article” and forms no part of the claimed design.

**1 Claim, 3 Drawing Sheets**

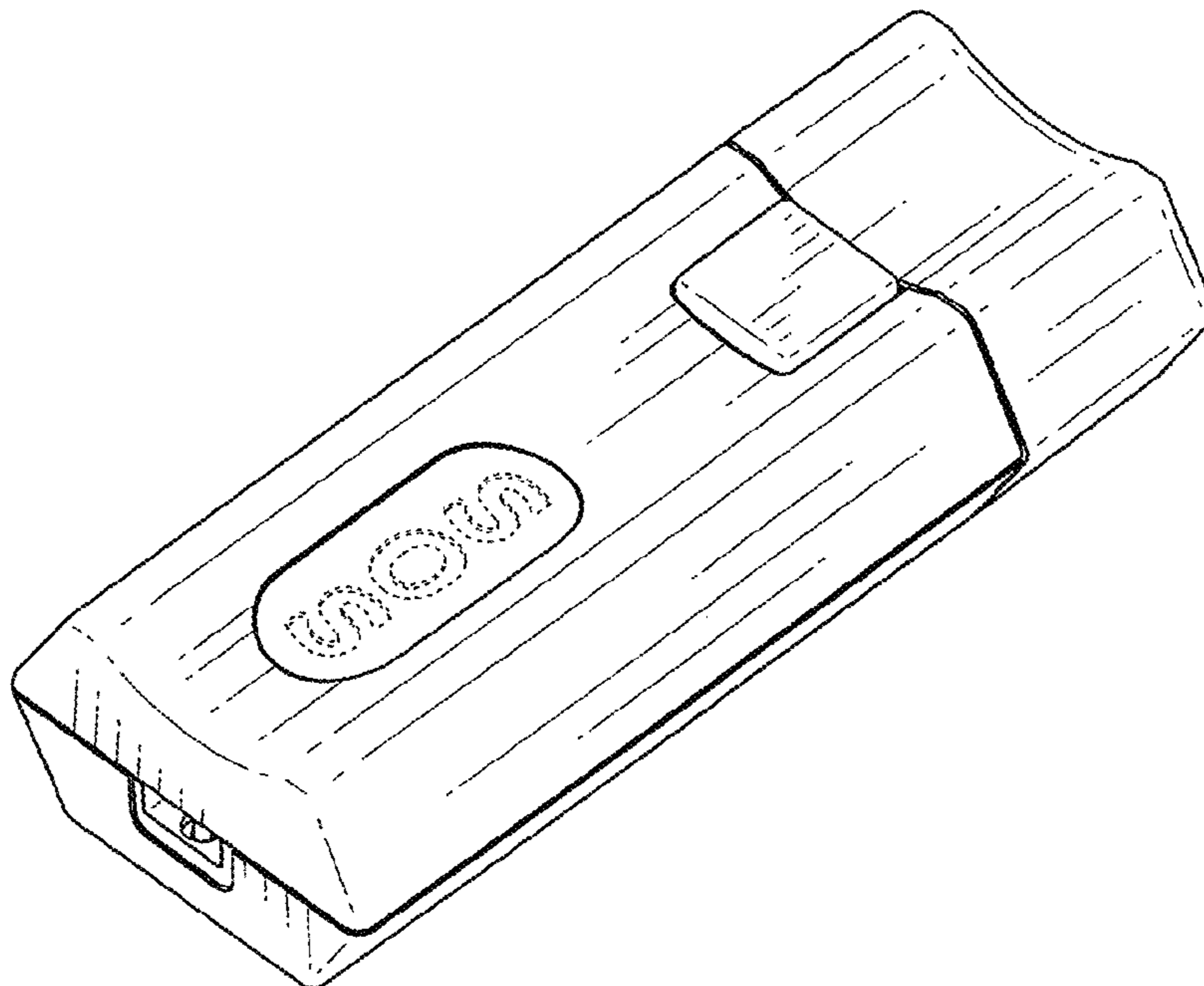


Fig. 1

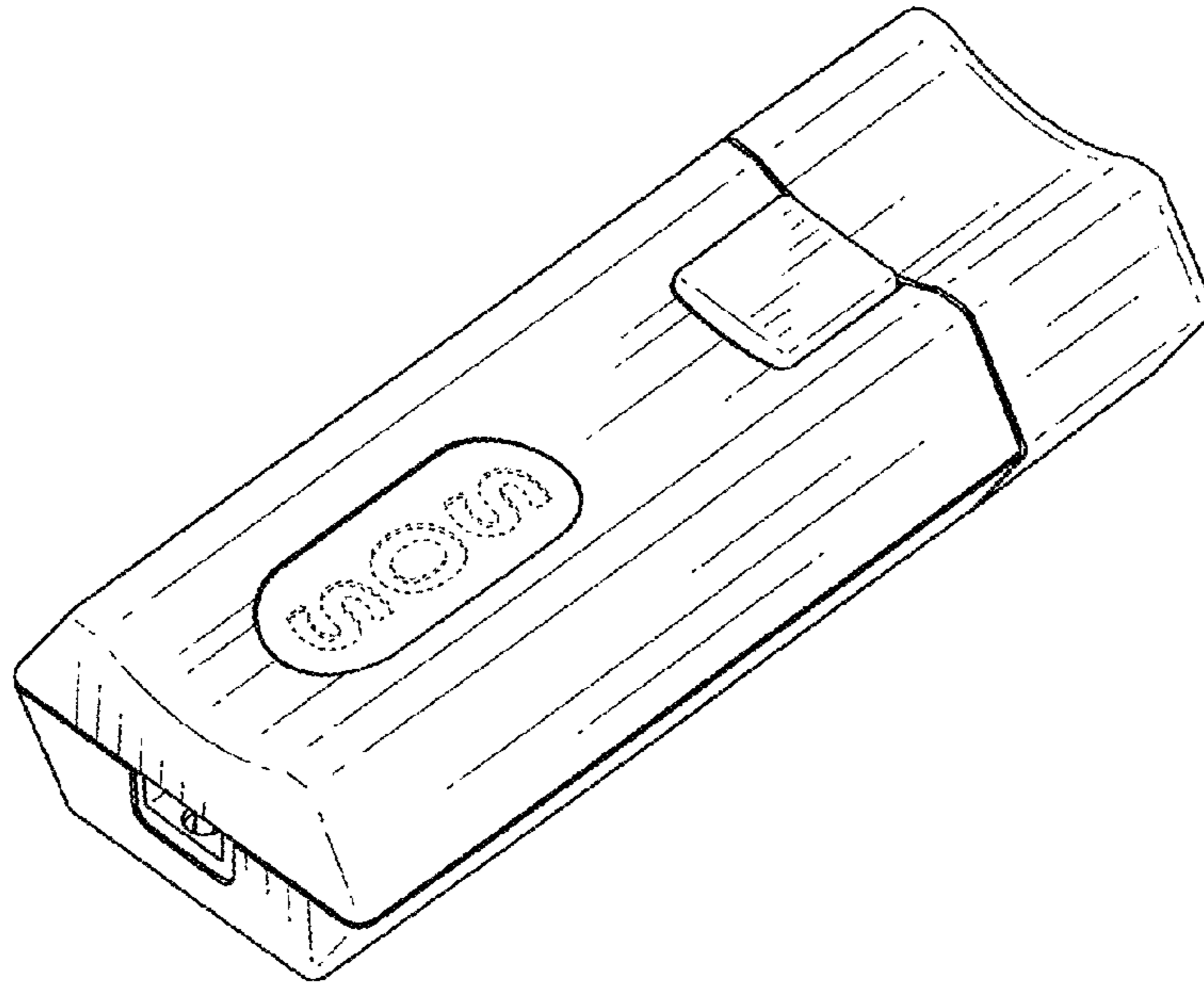


Fig. 2

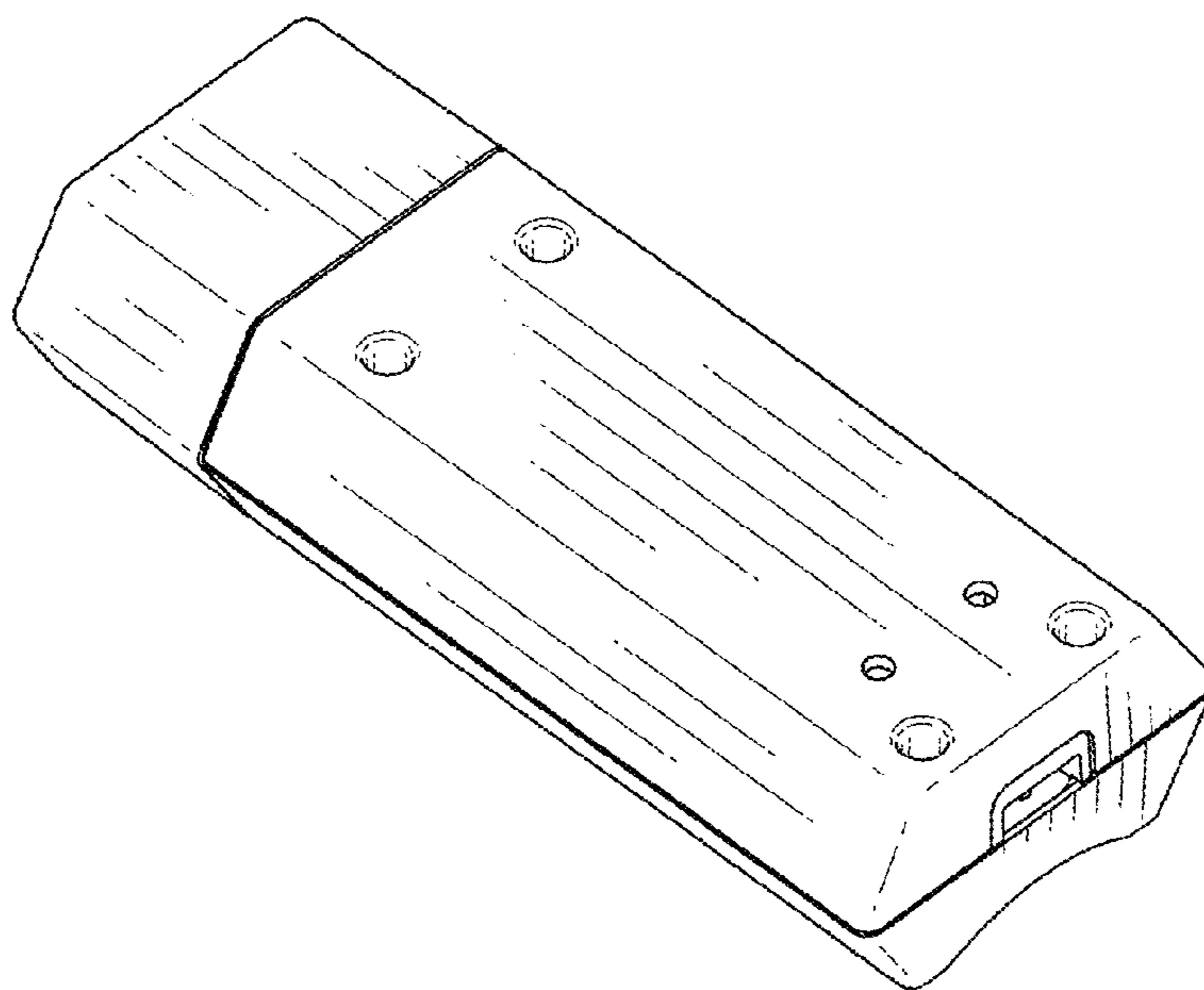


Fig. 3

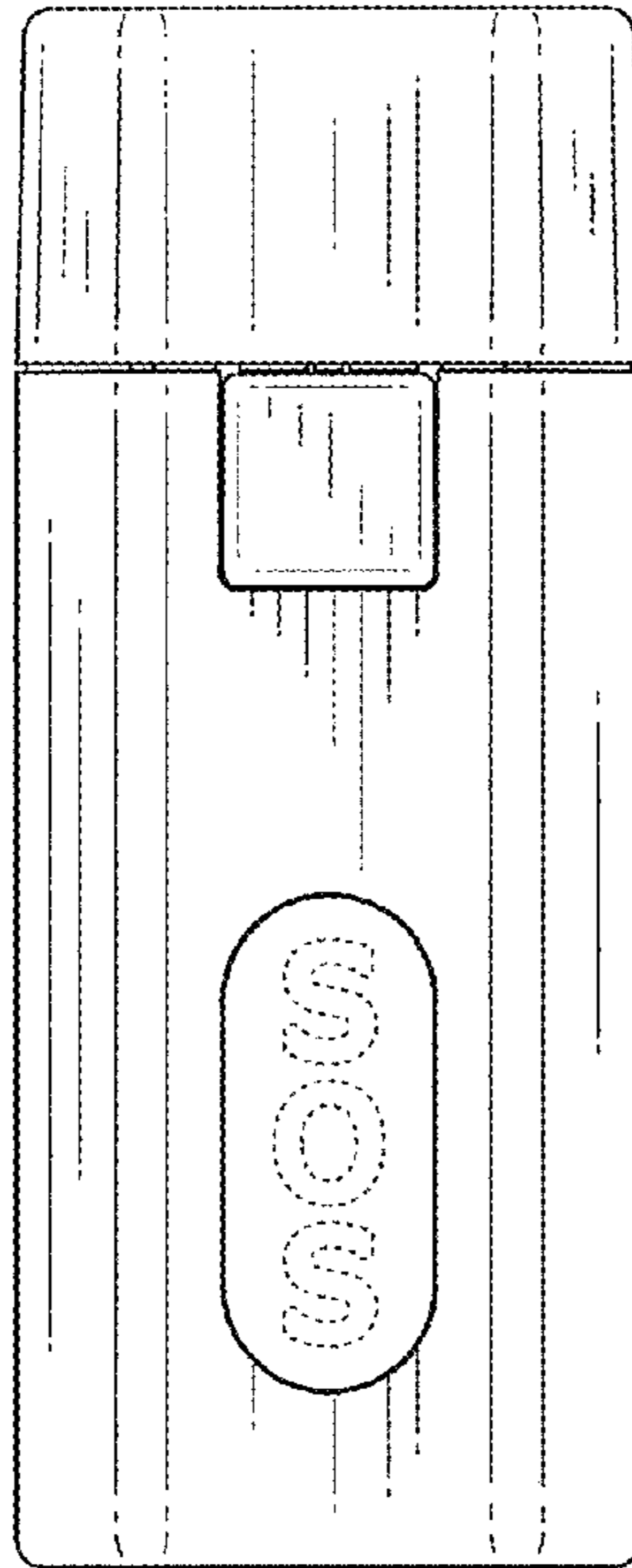


Fig. 4

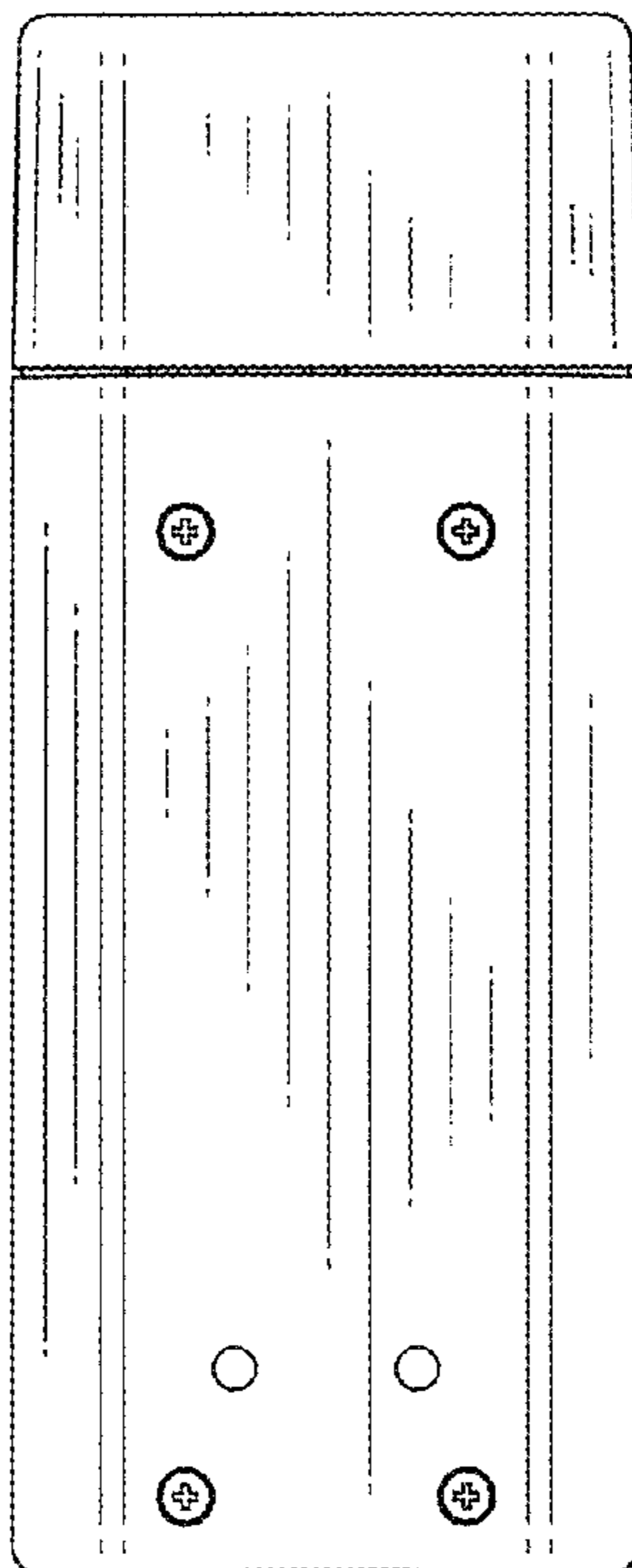


Fig. 5

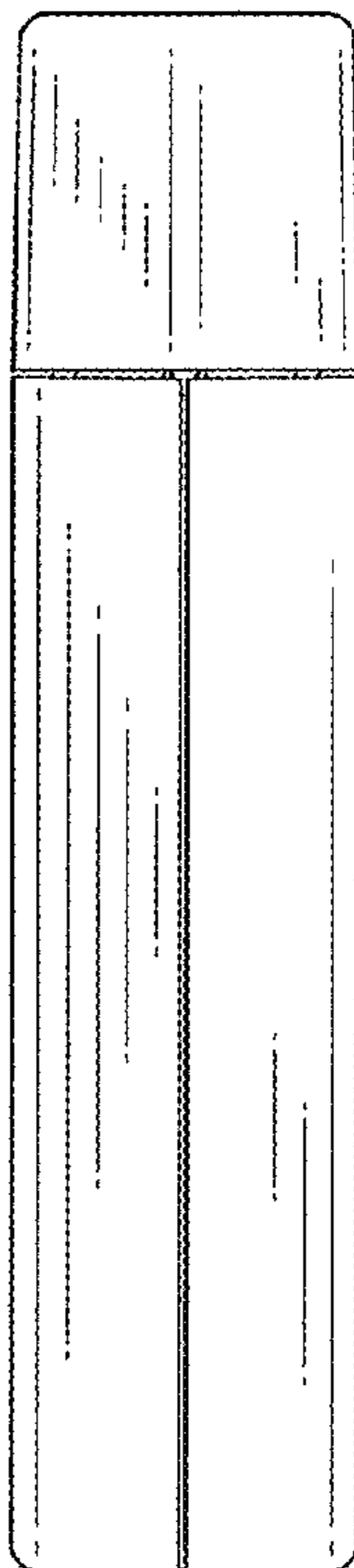


Fig. 6

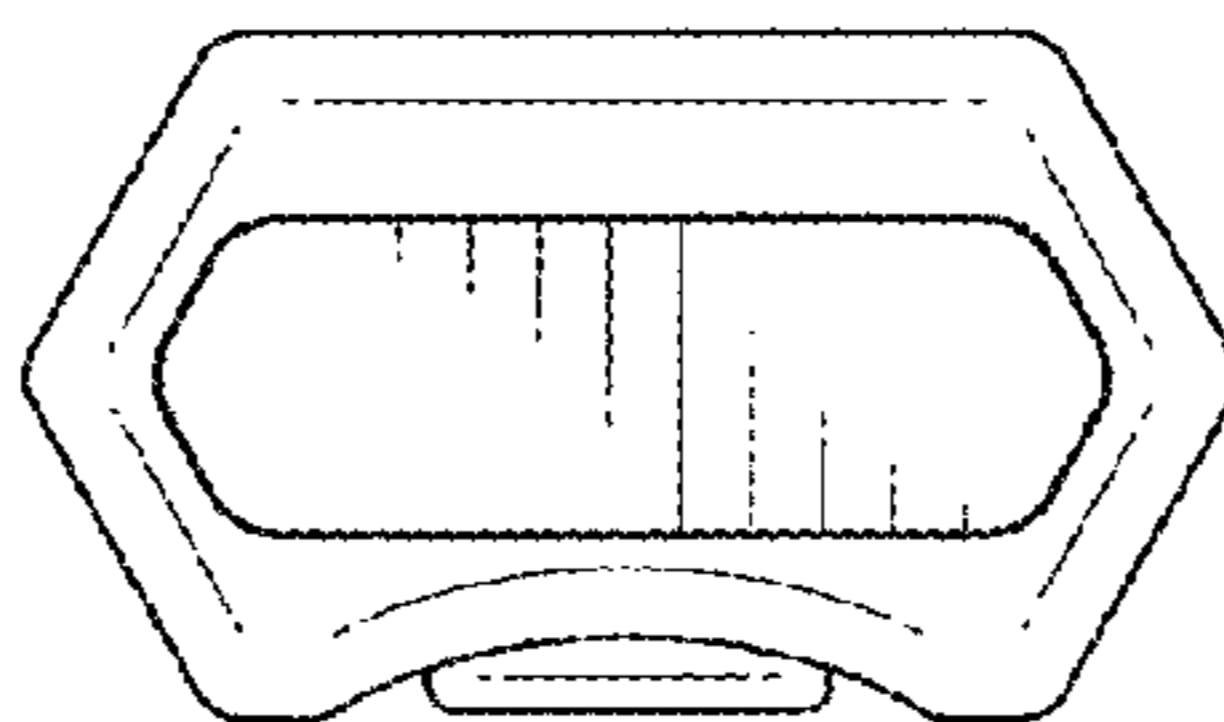


Fig. 7

