



US00D753854S

(12) **United States Design Patent**
Wolff et al.

(10) **Patent No.:** **US D753,854 S**
(45) **Date of Patent:** **** Apr. 12, 2016**

(54) **VEHICLE DAYTIME RUNNING LAMP**

(71) Applicant: **Ford Motor Company**, Dearborn, MI (US)

(72) Inventors: **Max Wolff**, Birmingham, MI (US);
Andrea Di Buduo, Birmingham, MI (US); **John Caswell**, Grosse Pointe, MI (US)

(73) Assignee: **Ford Motor Company**, Dearborn, MI (US)

(**) Term: **14 Years**

(21) Appl. No.: **29/511,826**

(22) Filed: **Dec. 15, 2014**

(51) **LOC (10) Cl.** **26-06**

(52) **U.S. Cl.**
USPC **D26/28**

(58) **Field of Classification Search**
USPC D26/28-36; 362/459-468, 475-478,
362/485-487
CPC F21S 48/00; F21S 48/10; F21S 48/115;
F21S 48/1233; F21S 48/1266; F21S 48/1388;
F21S 48/2268; F21V 21/04

See application file for complete search history.

(56) **References Cited**

U.S. PATENT DOCUMENTS

D598,584 S *	8/2009	Blasi	D26/28
D701,631 S *	3/2014	Goto	D26/28
D704,366 S *	5/2014	Saracoglu	D26/28
D712,573 S *	9/2014	Borkert	D26/28
D720,872 S *	1/2015	Lim	D26/28

* cited by examiner

Primary Examiner — Marcus Jackson

(74) *Attorney, Agent, or Firm* — Damian Porcari

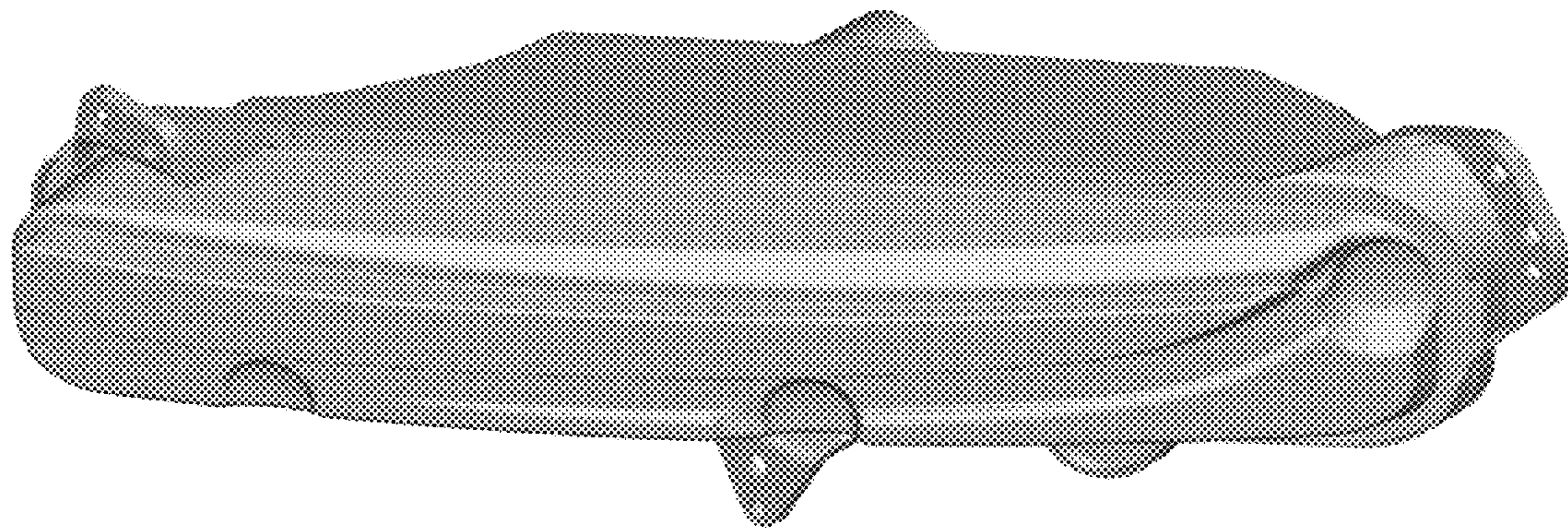
(57) **CLAIM**

The ornamental design for a vehicle daytime running lamp, as shown and described.

DESCRIPTION

FIG. 1 is a top front perspective view of the left vehicle daytime running lamp (the right vehicle daytime running lamp being a mirror image and is not shown); FIG. 2 is a bottom front perspective view thereof; FIG. 3 is a top rear perspective view thereof; FIG. 4 is a front elevational view thereof; FIG. 5 is a rear elevational view thereof; FIG. 6 is a left side elevational view thereof; FIG. 7 is a right side elevational view thereof; FIG. 8 is a top plan view thereof; and, FIG. 9 is a bottom plan view thereof.

1 Claim, 9 Drawing Sheets



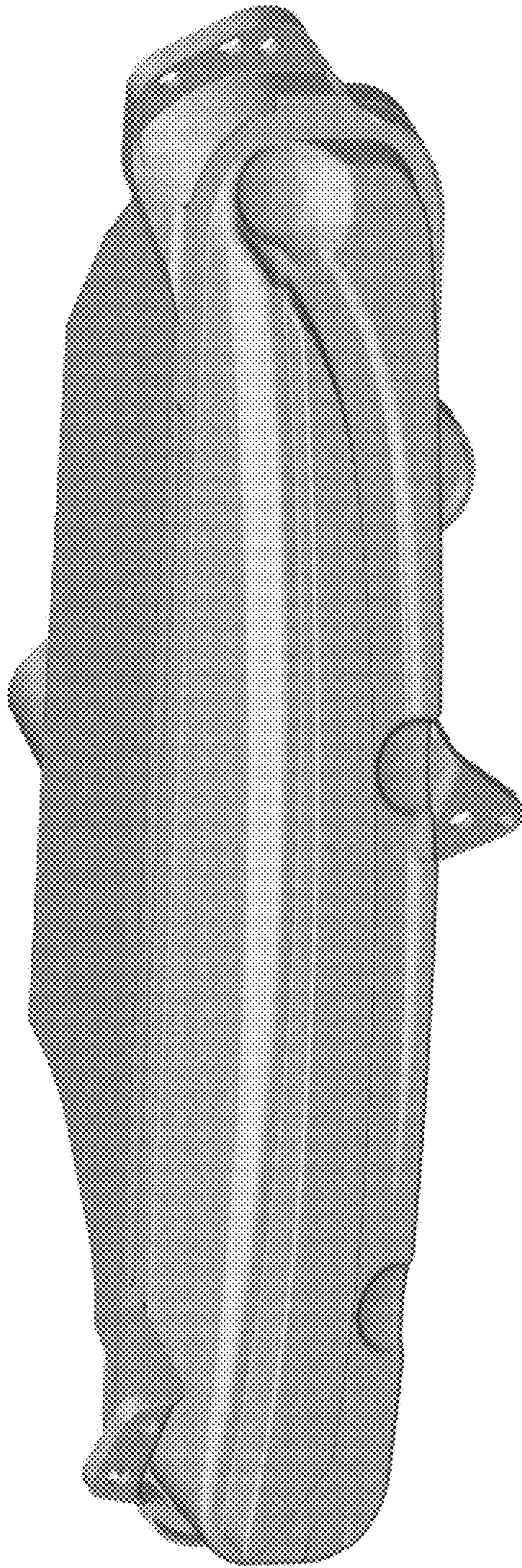


Figure 1

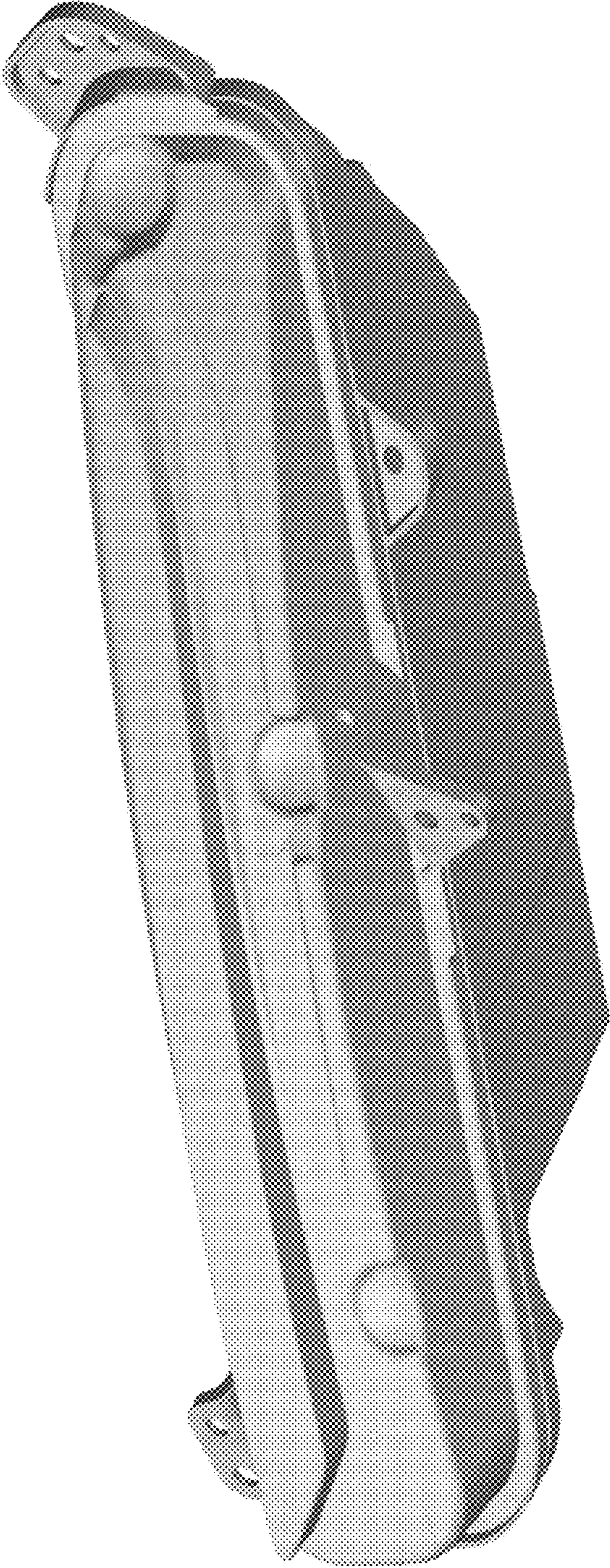


Figure 2

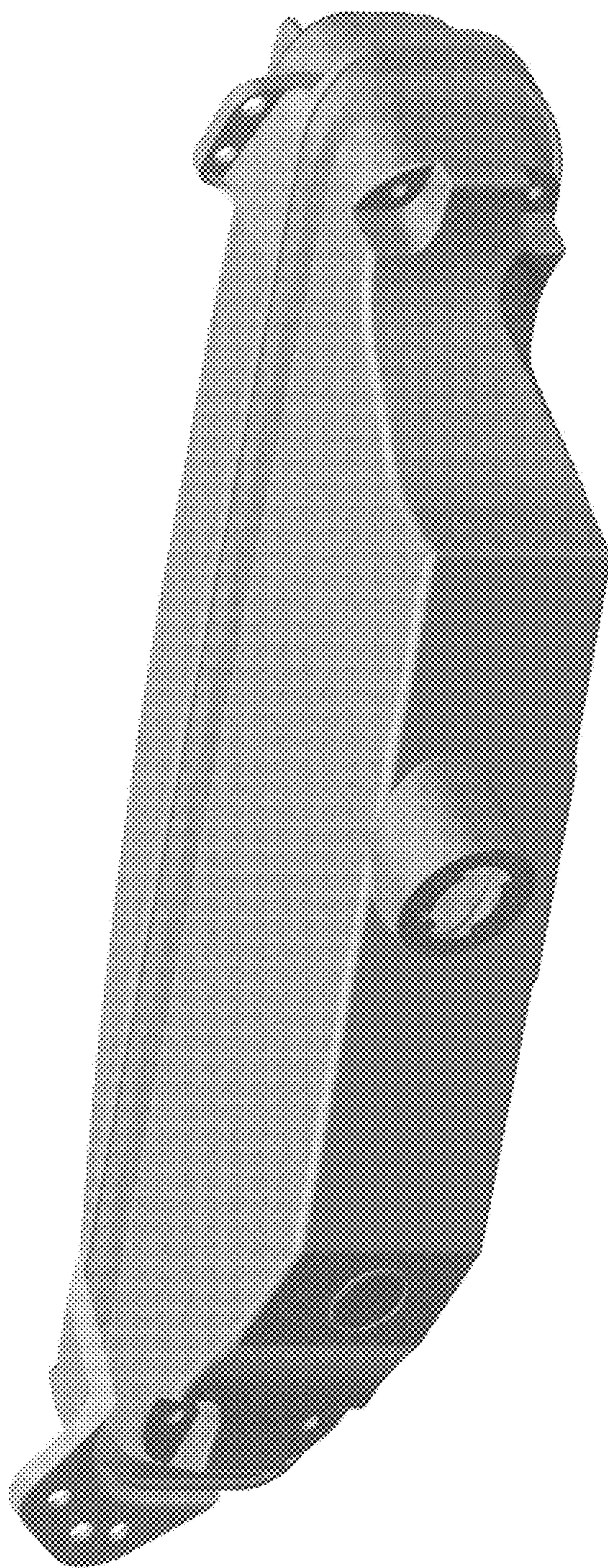


Figure 3

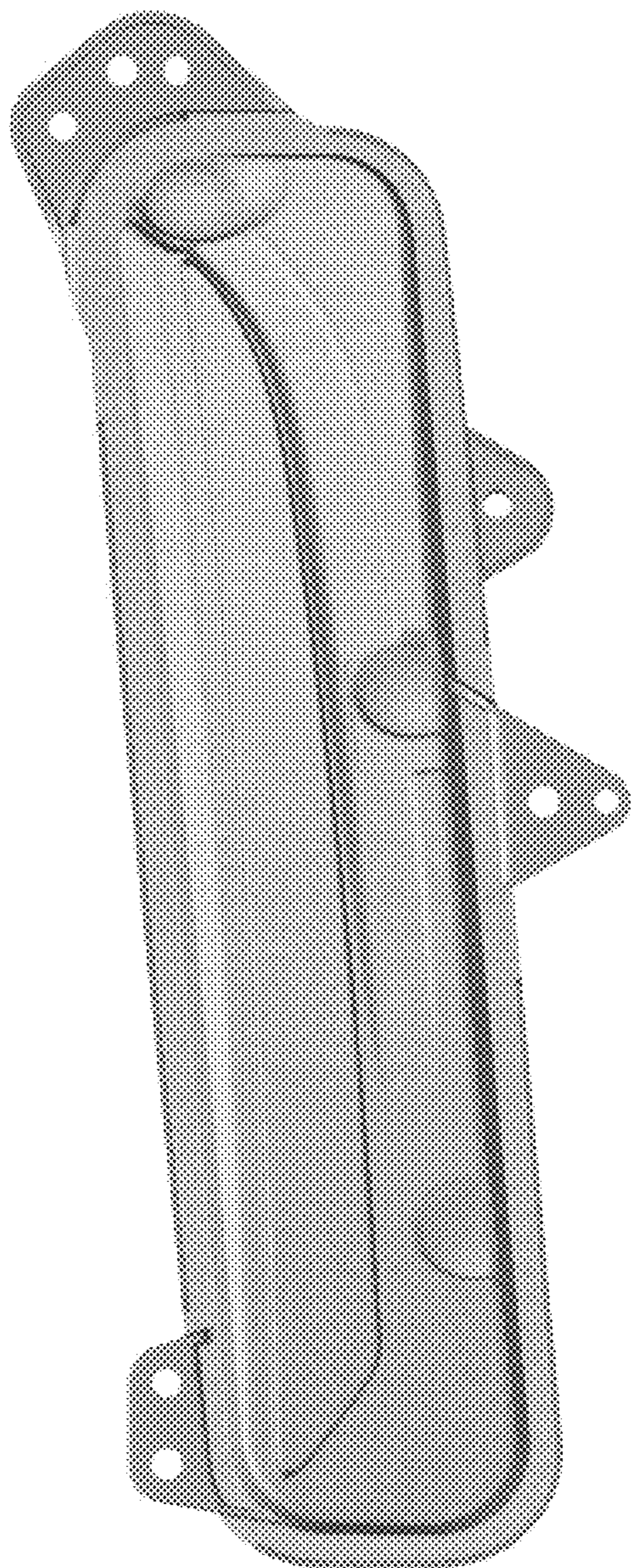


Figure 4

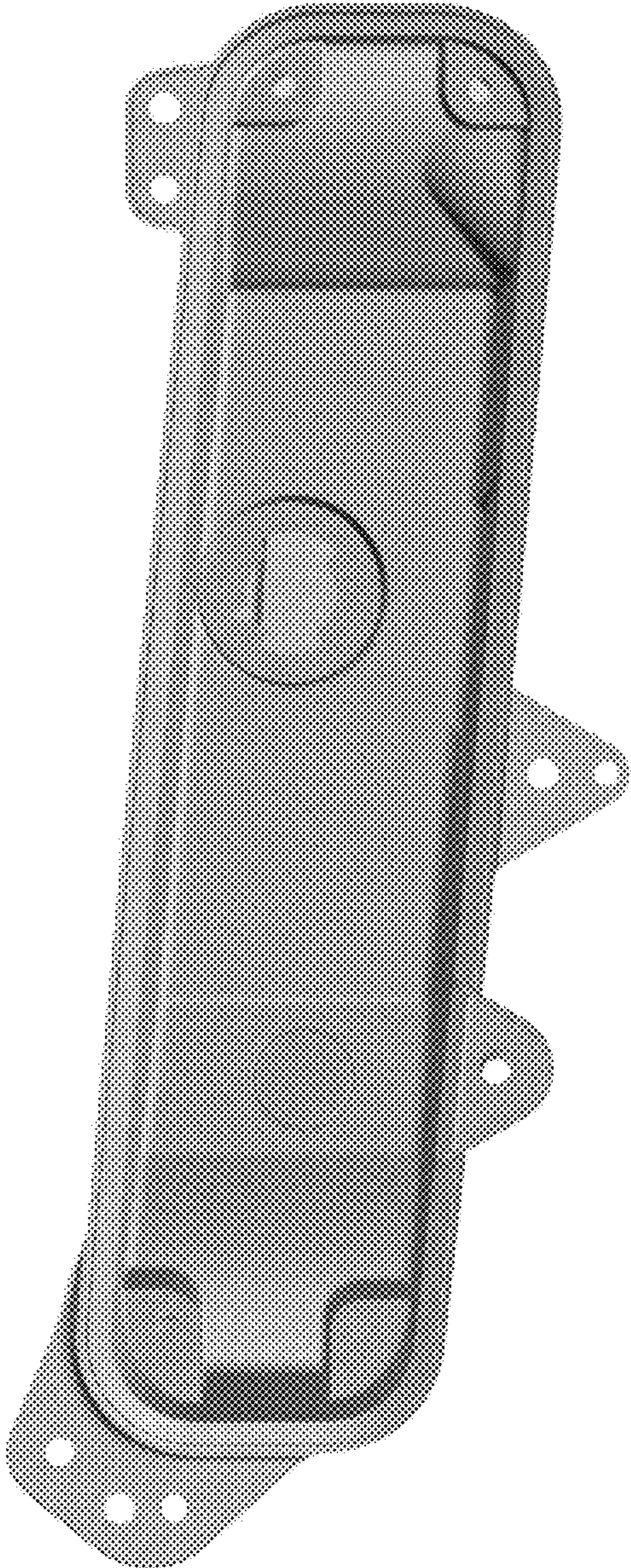


Figure 5

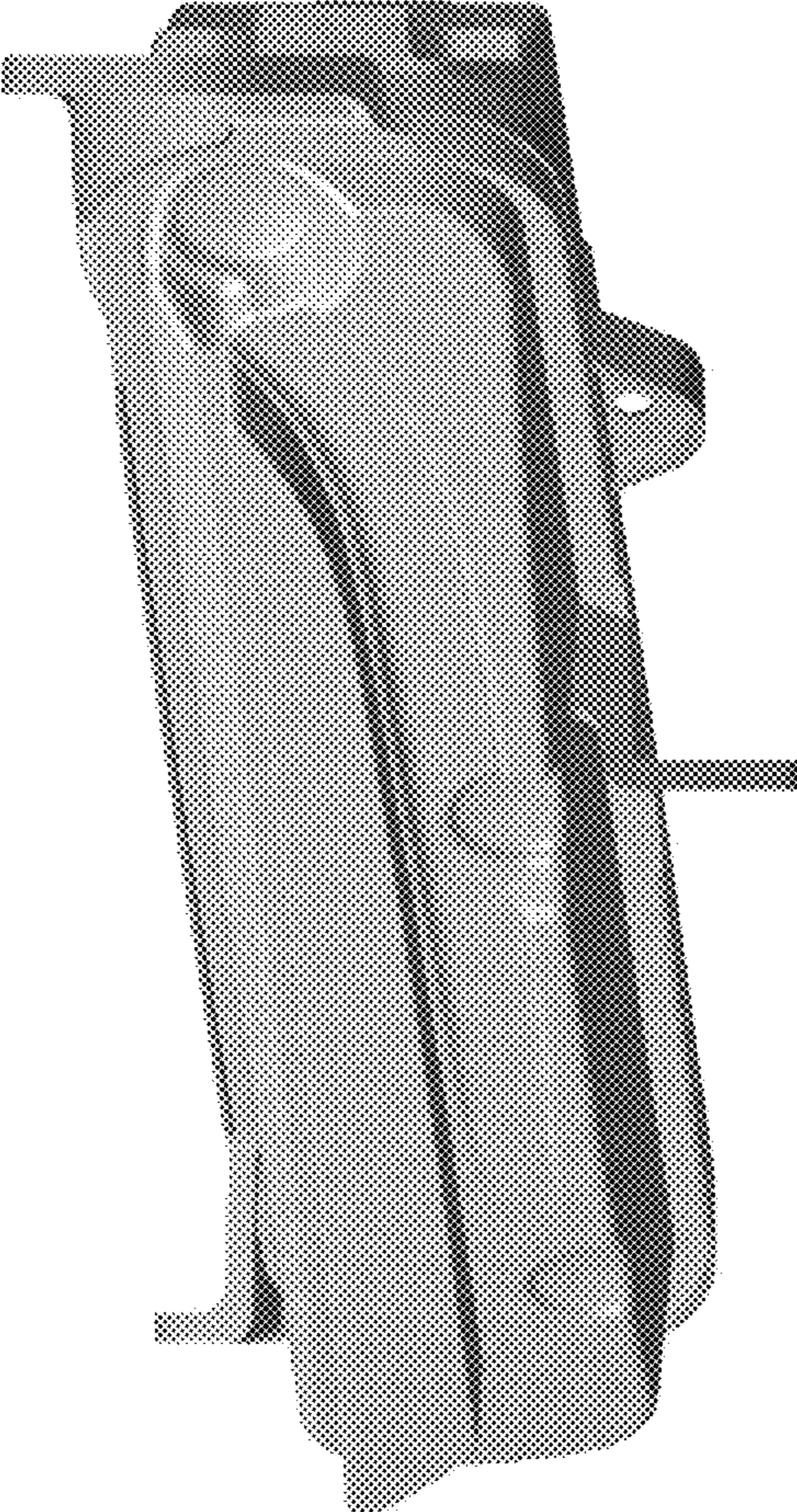


Figure 6

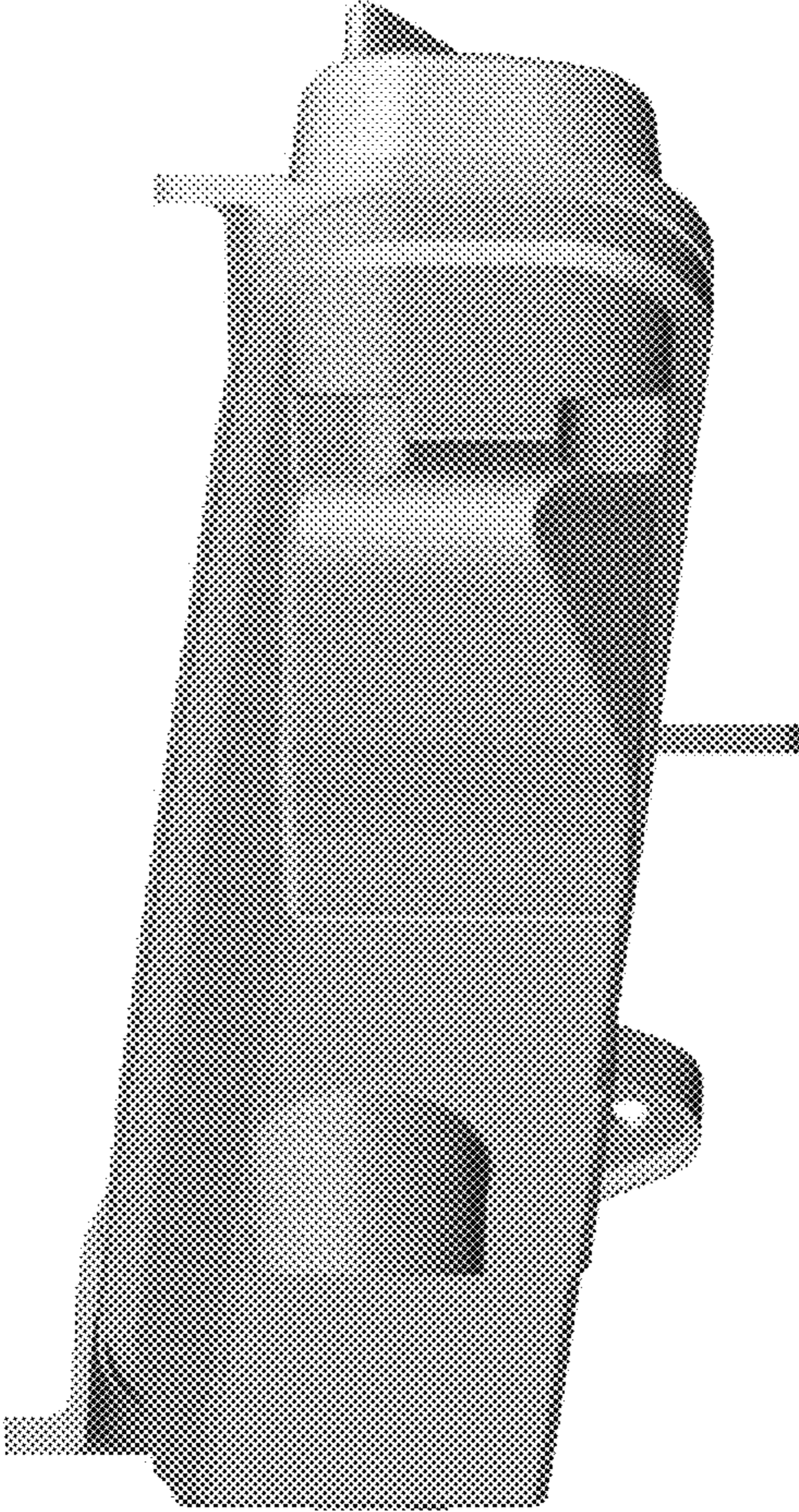


Figure 7

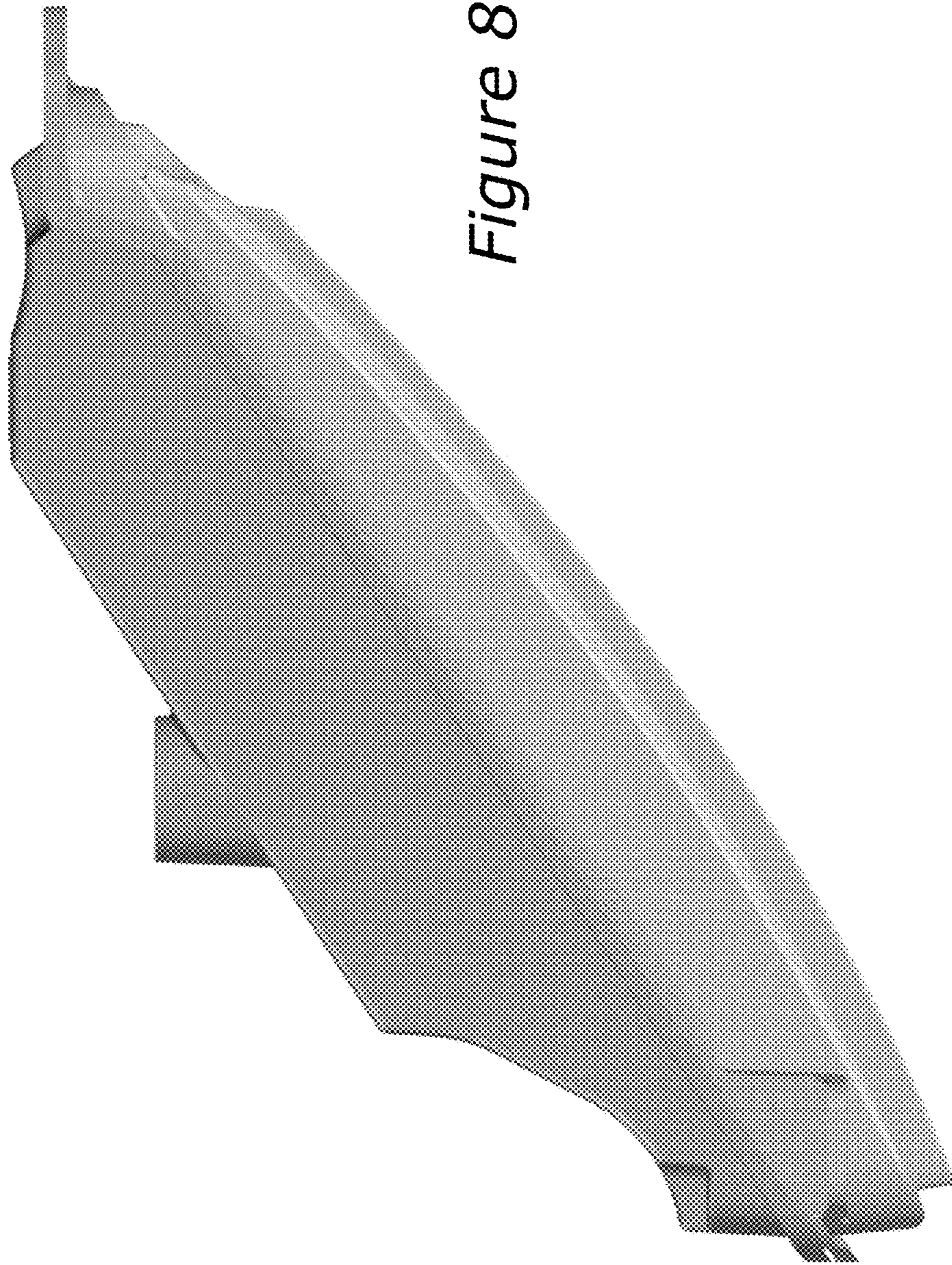


Figure 8

Figure 9

