



US00D753852S

(12) **United States Design Patent**  
**Zhang**

(10) **Patent No.:** **US D753,852 S**  
(45) **Date of Patent:** **\*\* Apr. 12, 2016**

- (54) **LED-LAMP**
- (71) Applicant: **OSRAM GmbH**, Munich (DE)
- (72) Inventor: **HongWei Zhang**, Shenzhen (CN)
- (73) Assignee: **OSRAM GmbH**, Munich (DE)
- (\*\*) Term: **15 Years**
- (21) Appl. No.: **29/537,693**
- (22) Filed: **Aug. 28, 2015**

D667,148 S *	9/2012	Chun	.....	D26/2
D675,367 S *	1/2013	Maxik	.....	D26/118
D687,983 S *	8/2013	Guo	.....	D26/2
D688,389 S *	8/2013	Lee	.....	D26/2
D695,425 S *	12/2013	Su	.....	D26/2
D703,843 S *	4/2014	Cheng	.....	D26/2
D705,979 S *	5/2014	Li	.....	D26/113
D706,463 S *	6/2014	Lu	.....	D26/2
D709,640 S *	7/2014	Maxik	.....	D26/113
D709,642 S *	7/2014	Maxik	.....	D26/113
D725,801 S *	3/2015	Lee	.....	D26/2
D728,130 S *	4/2015	Hockemeyer	.....	D26/2
D729,955 S *	5/2015	Hockemeyer	.....	D26/2
D730,302 S *	5/2015	Shum	.....	D13/179
2011/0018418 A1 *	1/2011	Yoo	.....	F21K 9/137 313/46
2014/0091697 A1 *	4/2014	Shum	.....	F21K 9/1375 313/46

**Related U.S. Application Data**

- (62) Division of application No. 29/482,024, filed on Feb. 13, 2014.

**Foreign Application Priority Data**

- Aug. 20, 2013 (EM) ..... 001382139
- (51) **LOC (10) Cl.** ..... **26-04**
- (52) **U.S. Cl.**  
USPC ..... **D26/2**
- (58) **Field of Classification Search**  
USPC ..... D26/1-4, 113, 118; 313/46, 313, 315,  
313/316, 317, 318, 493; 315/52, 53, 56, 57,  
315/58  
CPC ..... F21K 9/135; F21K 9/1375; F21K 9/13  
See application file for complete search history.

**References Cited**

**U.S. PATENT DOCUMENTS**

D612,956 S *	3/2010	Moon	.....	D26/2
D621,973 S *	8/2010	Grajcar	.....	D26/2
D631,575 S *	1/2011	Yoshinobu	.....	D26/2
D662,627 S *	6/2012	Pan	.....	D26/2
D665,106 S *	8/2012	Grajcar	.....	D26/2
D665,107 S *	8/2012	Tu	.....	D26/2

\* cited by examiner

*Primary Examiner* — Ian Simmons

*Assistant Examiner* — Harold Blackwell, II

(74) *Attorney, Agent, or Firm* — Viering, Jentschura & Partner MBB

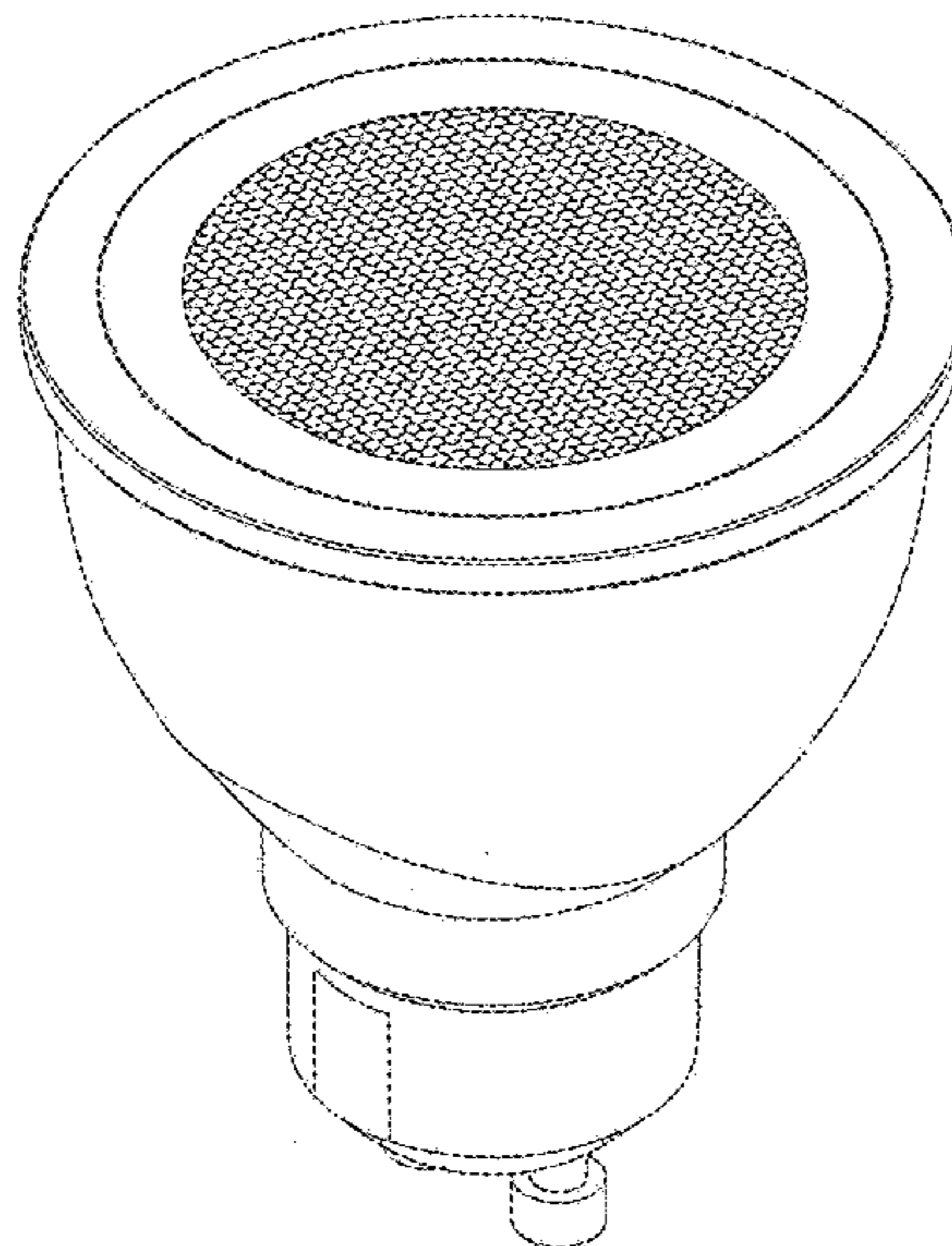
(57) **CLAIM**

The ornamental design for a LED-lamp, as shown and described.

**DESCRIPTION**

FIG. 1 is a perspective view of a LED-lamp showing our new design,  
 FIG. 2 is a front view of the LED-lamp according to FIG. 1;  
 FIG. 3 is a right side view of the LED-lamp according to FIG. 1;  
 FIG. 4 is a back view of the LED-lamp according to FIG. 1;  
 FIG. 5 is a left side view of the LED-lamp according to FIG. 1;  
 FIG. 6 is a top view of the LED-lamp according to FIG. 1; and,  
 FIG. 7 is a bottom view of the LED-lamp according to FIG. 1.

**1 Claim, 4 Drawing Sheets**



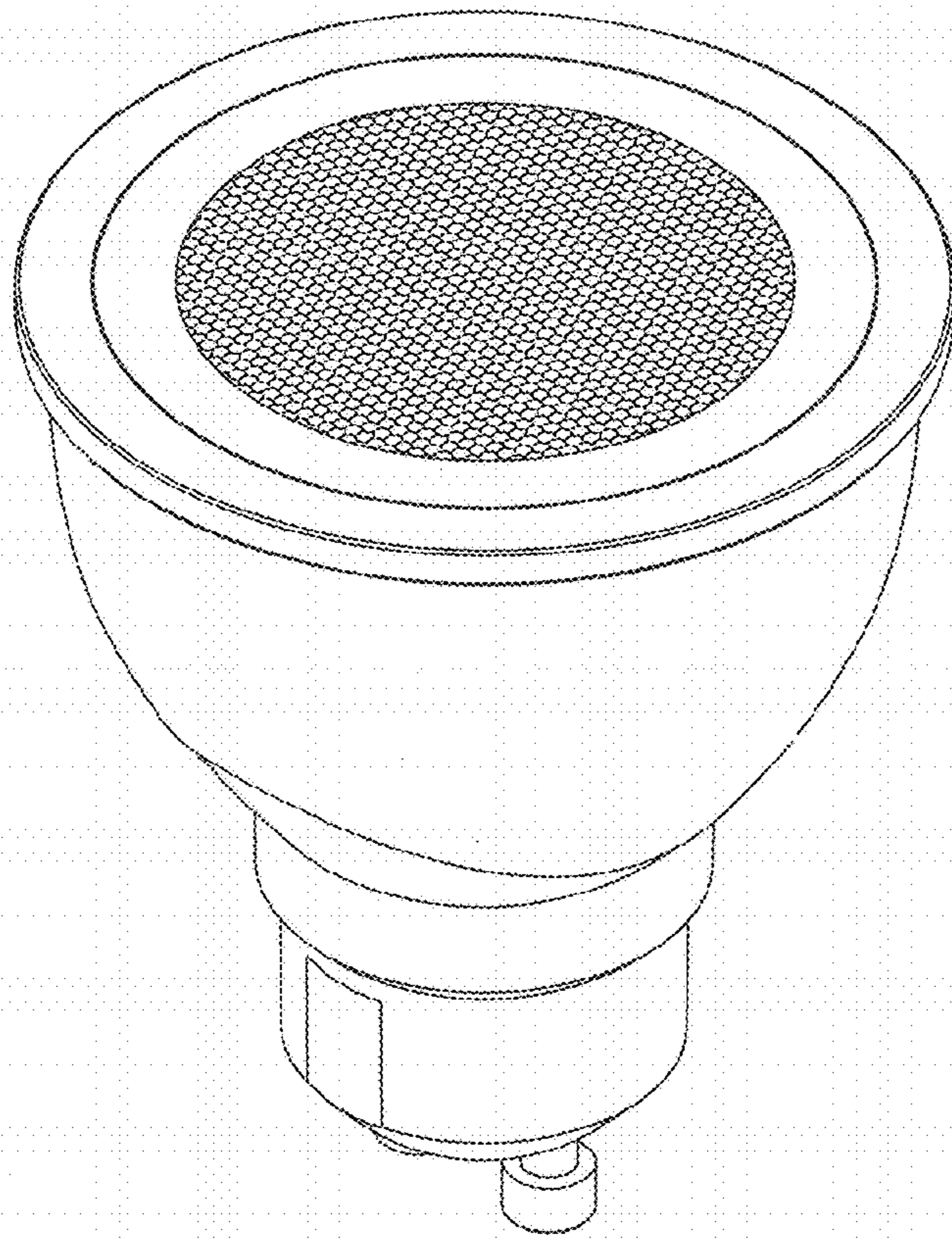


Fig. 1

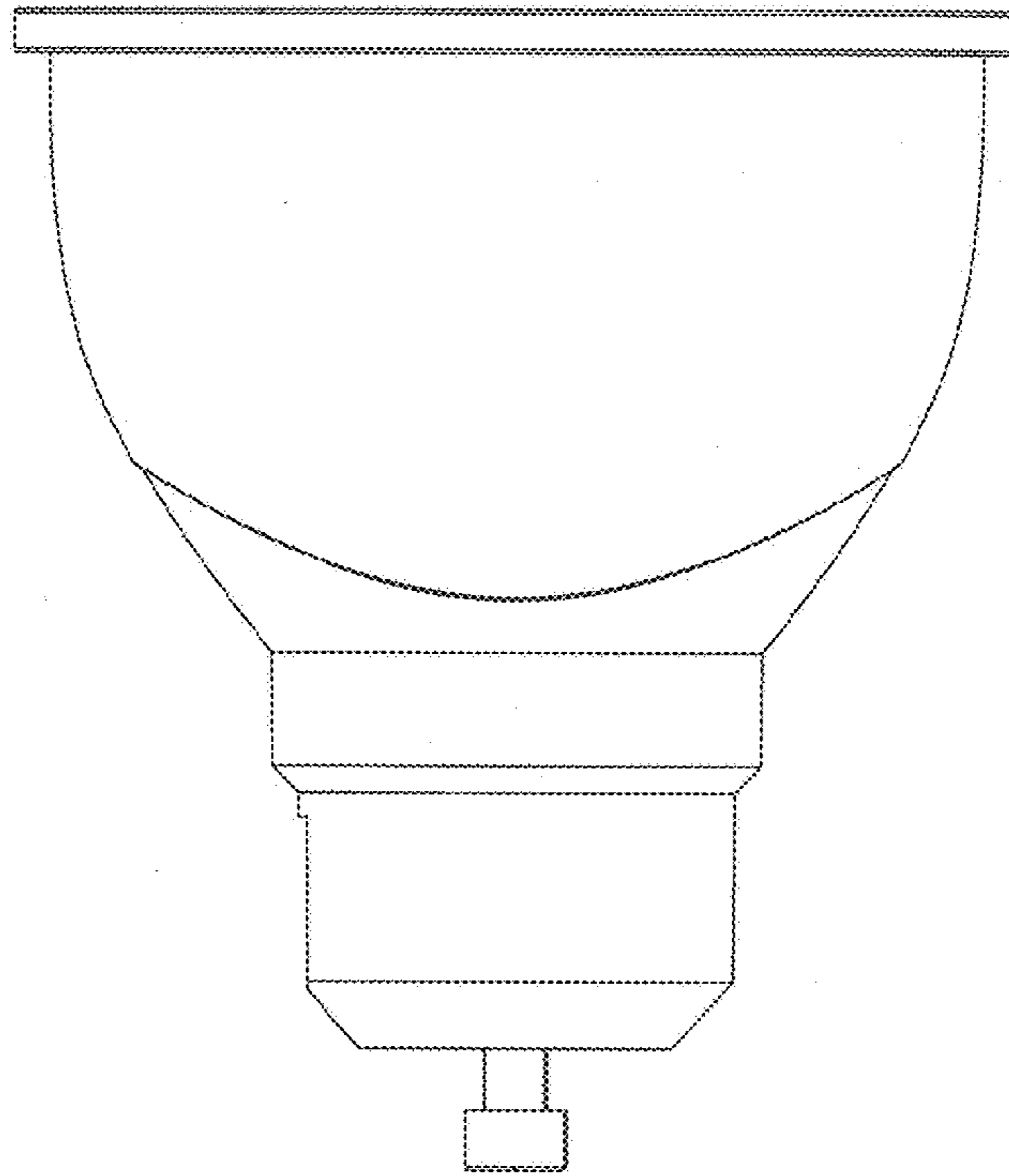


Fig. 2

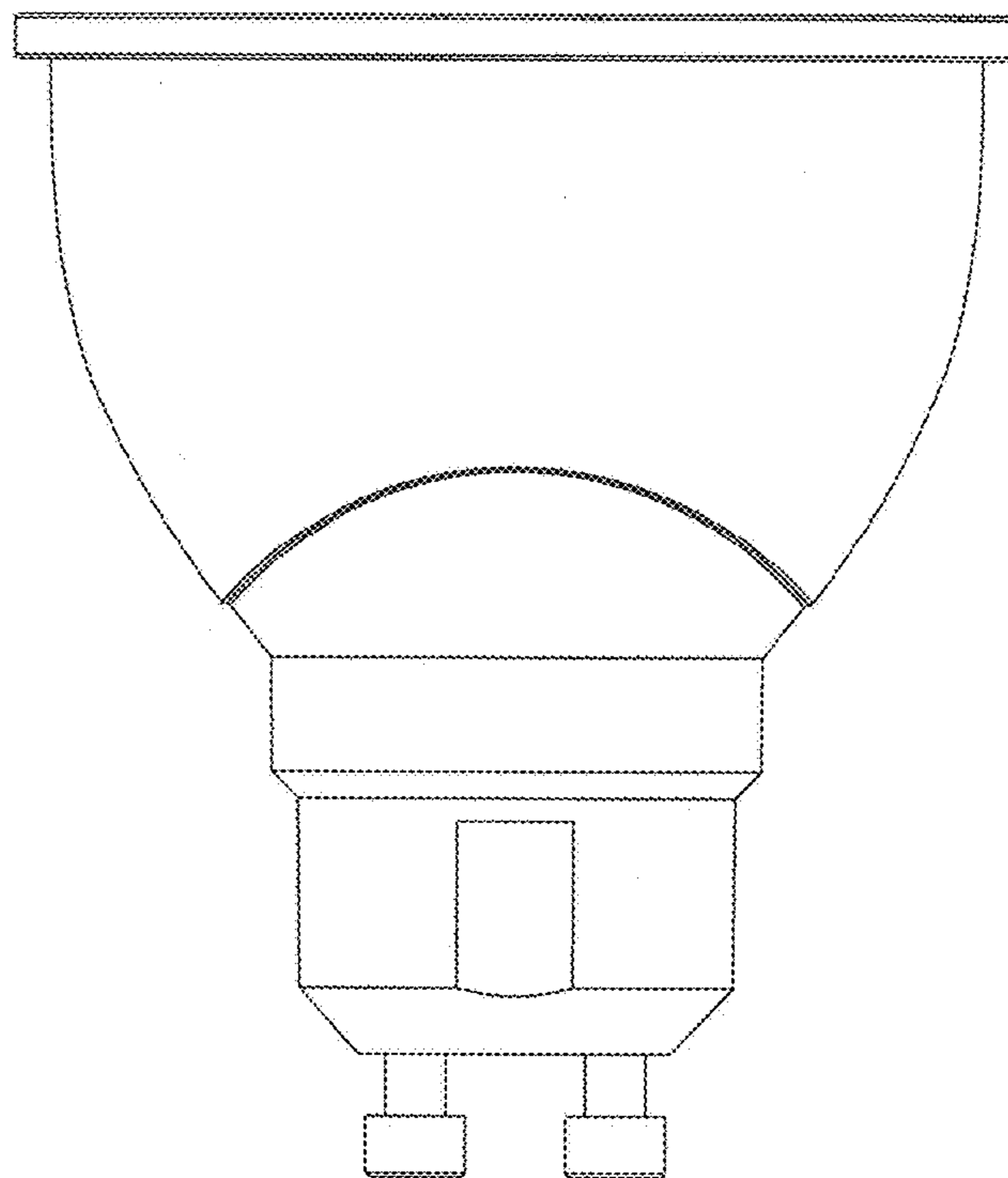


Fig. 3

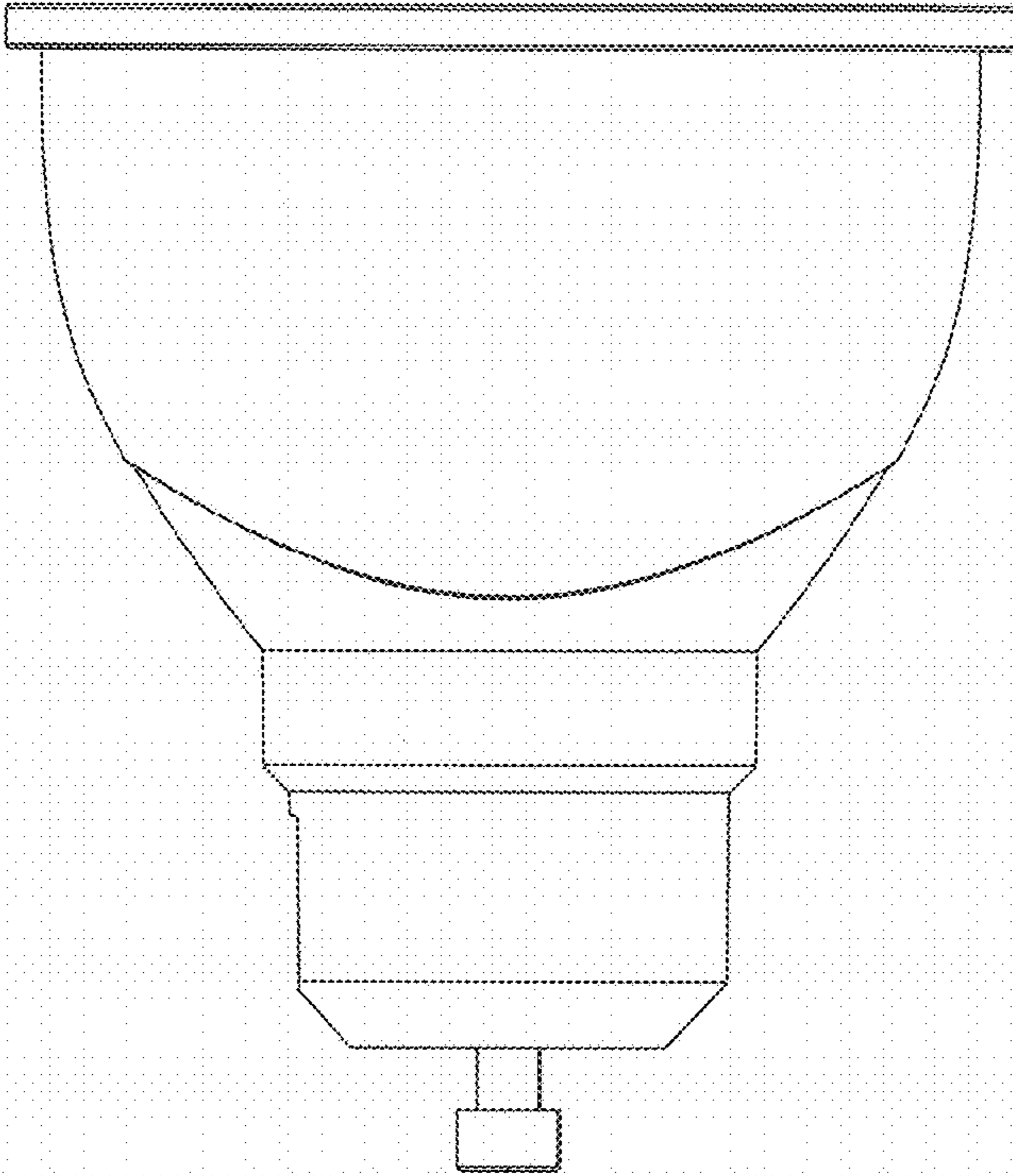


Fig. 4

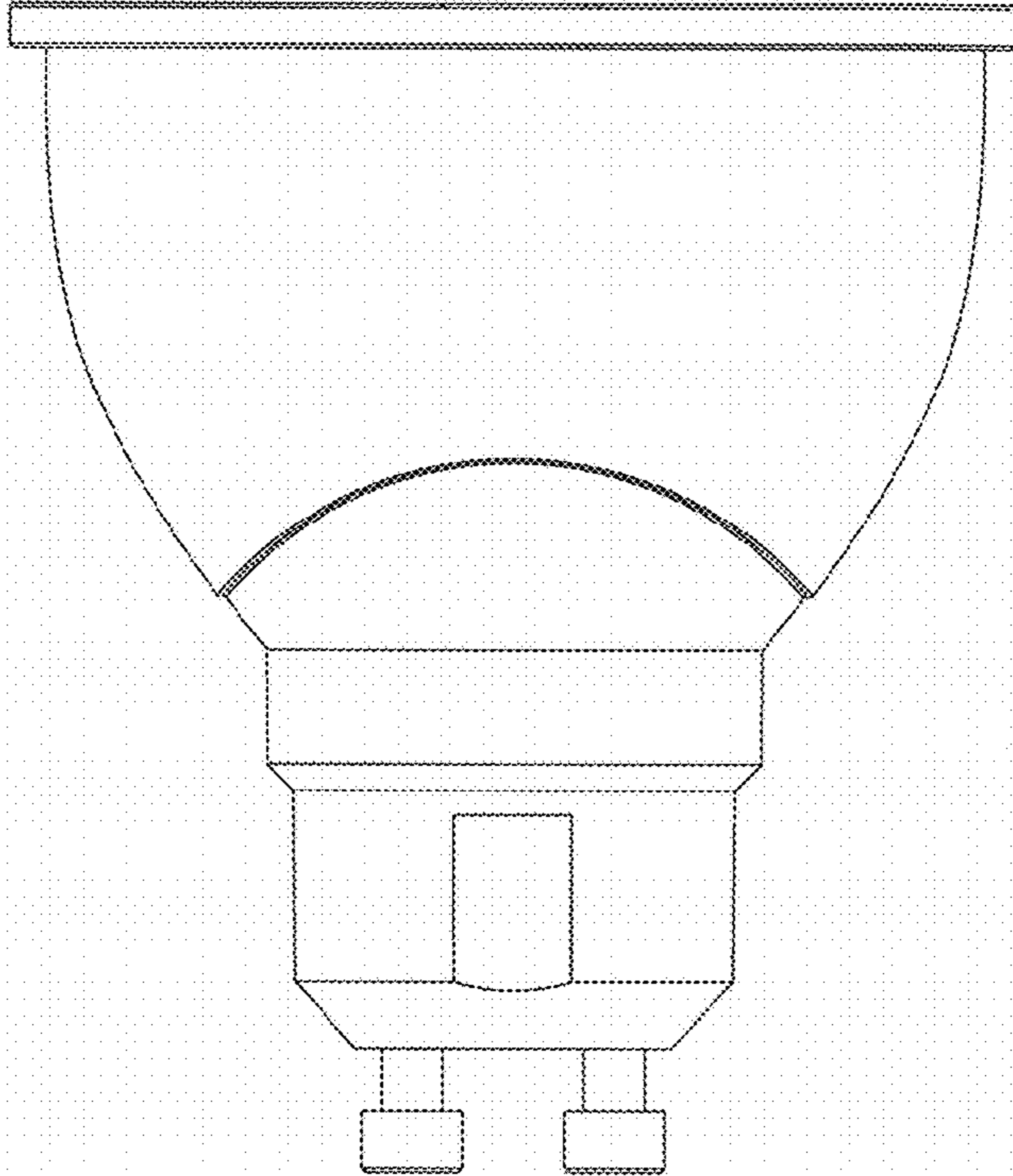


Fig. 5

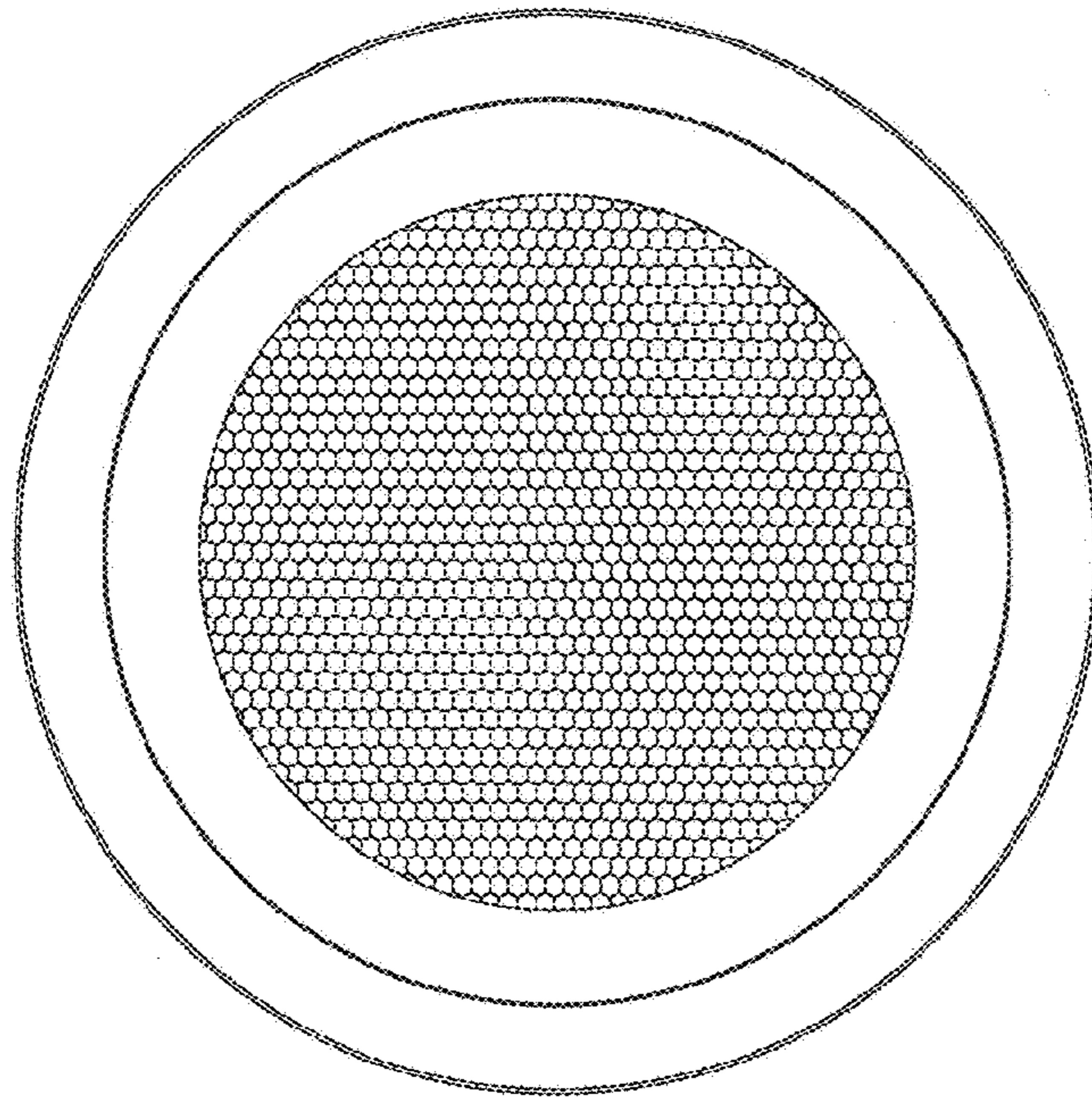


Fig. 6

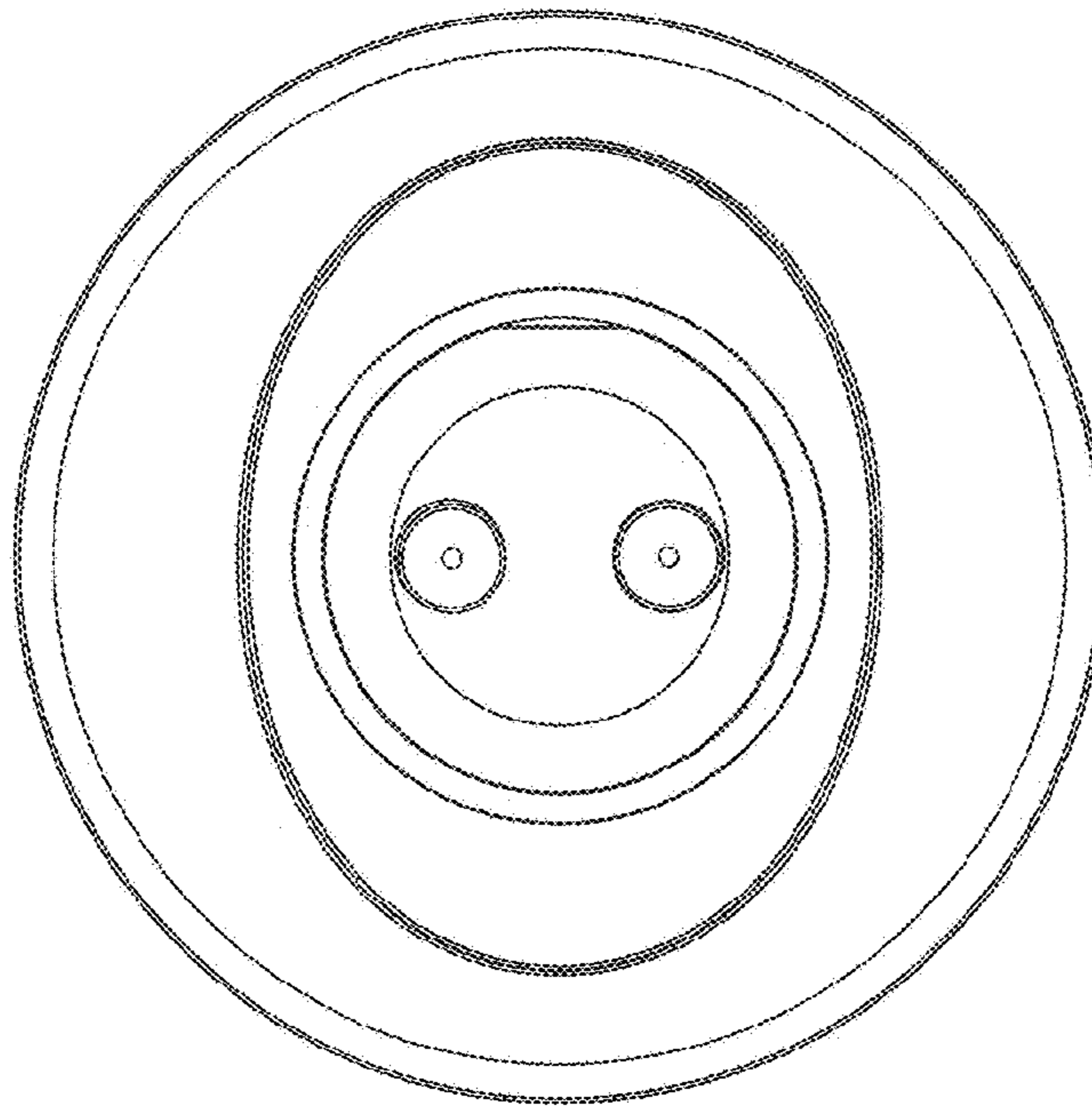


Fig. 7