



US00D753851S

(12) **United States Design Patent**
Denninger et al.

(10) **Patent No.:** **US D753,851 S**
(45) **Date of Patent:** **** Apr. 12, 2016**

(54) **ILLUMINATION UNIT**

(71) Applicant: **BeON Home Inc.**, Cambridge, MA (US)

(72) Inventors: **Michael Denninger**, Bedford, MA (US);
Martin Forest, Nashua, NH (US);
Arvind S. Baliga, Lexington, MA (US);
Alexei A. Erchak, Cambridge, MA (US)

(73) Assignee: **BeON Home Inc.**, Cambridge, MA (US)

(**) Term: **14 Years**

(21) Appl. No.: **29/504,684**

(22) Filed: **Oct. 8, 2014**

(51) **LOC (10) Cl.** **26-04**

(52) **U.S. Cl.**
USPC **D26/2**

(58) **Field of Classification Search**

USPC D26/1-4; 313/313, 315, 316, 317, 318,
313/493; 315/52, 53, 56, 57, 58

CPC F21K 9/00; F21K 9/13; H01J 5/48;
H01J 5/50; H01J 19/54; F21V 5/00

See application file for complete search history.

(56) **References Cited**

U.S. PATENT DOCUMENTS

2,447,239 A 8/1948 James
D161,830 S 2/1951 Grossman

(Continued)

FOREIGN PATENT DOCUMENTS

WO WO 2014/179531 A2 11/2014

OTHER PUBLICATIONS

Notice of Allowance for U.S. Appl. No. 29/504,683 mailed Nov. 4, 2015.

(Continued)

Primary Examiner — Marcus Jackson

(74) *Attorney, Agent, or Firm* — Wolf, Greenfield & Sacks, P.C.

(57) **CLAIM**

The ornamental design for an illumination unit, as shown and described.

DESCRIPTION

FIG. 1 is a bottom, front, right side perspective view of an illumination unit showing a first embodiment of our new design;

FIG. 2 is a top, front, left side perspective view thereof;

FIG. 3 is a front elevational view thereof;

FIG. 4 is a rear elevational view thereof;

FIG. 5 is a left side elevational view thereof;

FIG. 6 is a right side elevational view thereof;

FIG. 7 is a top plan view thereof;

FIG. 8 is a bottom plan view thereof;

FIG. 9 is a left side sectional view thereof, the section taken through line 9 shown in FIG. 8;

FIG. 10 is a bottom, front, right side perspective view showing a second embodiment thereof;

FIG. 11 is a top, front, left side perspective view of the second embodiment of FIG. 10;

FIG. 12 is a front elevational view of the second embodiment of FIG. 10;

FIG. 13 is a rear elevational view of the second embodiment of FIG. 10;

FIG. 14 is a left side elevational view of the second embodiment of FIG. 10;

FIG. 15 is a right side elevational view of the second embodiment of FIG. 10;

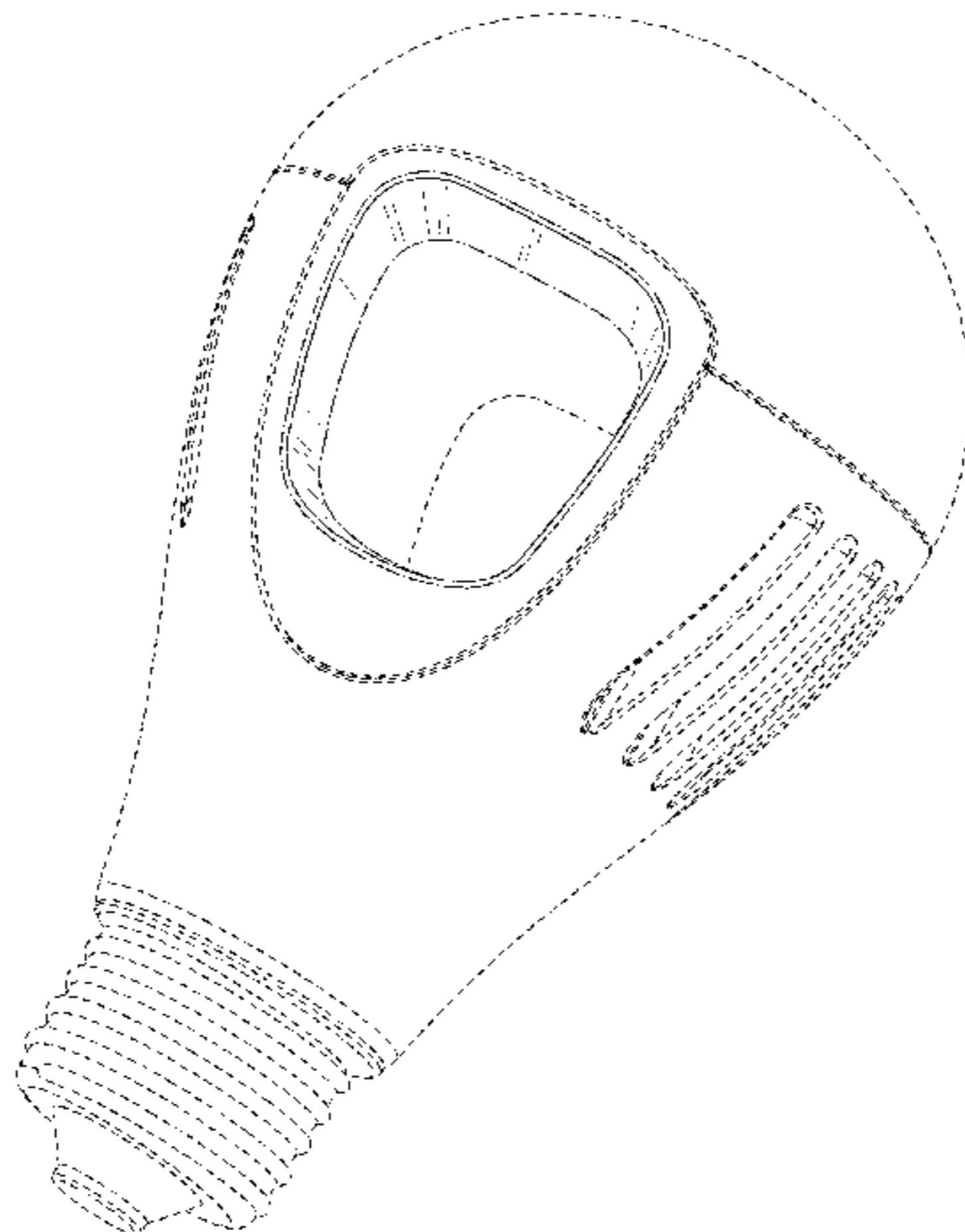
FIG. 16 is a top plan view of the second embodiment of FIG. 10;

FIG. 17 is a bottom plan view of the second embodiment of FIG. 10; and,

FIG. 18 is a left side sectional view of the second embodiment of FIG. 10, the section taken through line 18 shown in FIG. 17.

The broken lines illustrate portions of the illumination unit that form no part of the claimed design. The dash-dot-dash lines shown in the figures (including FIGS. 1-3, 5-6, 8-12, 14-15, and 17-18) define boundaries of the claimed design and form no part of the claimed design.

1 Claim, 18 Drawing Sheets



(56)

References Cited

U.S. PATENT DOCUMENTS

D183,152 S 7/1958 Wellhofer
 3,178,569 A 4/1965 Martin
 D223,546 S 5/1972 Gandini
 D261,562 S 10/1981 Suzuki
 4,323,820 A 4/1982 Teich
 D264,320 S 5/1982 Doggart
 D388,125 S 12/1997 Rath
 D388,126 S 12/1997 Rath
 5,778,582 A 7/1998 Rath et al.
 D399,588 S 10/1998 St. Ives
 6,257,737 B1 7/2001 Marhsall et al.
 D455,223 S 4/2002 Crosby
 D463,061 S 9/2002 Ludwig
 D507,844 S 7/2005 Friedman
 D530,037 S 10/2006 Bucher et al.
 D531,307 S 10/2006 Shurtleff
 D540,978 S 4/2007 Cormier et al.
 D568,531 S 5/2008 Compton
 D570,516 S 6/2008 Orellana
 D571,409 S 6/2008 Frey
 7,473,015 B1 1/2009 Chen
 D595,447 S 6/2009 Purcell
 D608,935 S 1/2010 Pedersen
 D609,843 S 2/2010 Ngai et al.
 D614,342 S 4/2010 Sebastian Pastor
 D615,695 S 5/2010 Boissevain
 D618,382 S 6/2010 Huang
 D619,297 S 7/2010 Huang
 D623,797 S 9/2010 Boissevain
 D630,374 S 1/2011 Leen
 D630,386 S 1/2011 Bise
 D641,921 S 7/2011 Sabernig
 D645,996 S * 9/2011 Wey D26/2
 8,033,686 B2 10/2011 Recker et al.
 D656,252 S * 3/2012 Engl D26/2
 D656,267 S 3/2012 Laporte
 D658,601 S 5/2012 Egawa et al.
 D664,284 S 7/2012 Komarov et al.
 D665,810 S 8/2012 Jones et al.
 D667,163 S 9/2012 Blum et al.
 D670,427 S 11/2012 Henderson et al.
 8,317,363 B2 11/2012 Zheng
 8,415,901 B2 4/2013 Recker et al.
 8,430,402 B2 4/2013 Diehl et al.
 D687,174 S * 7/2013 Hsu D26/2

D688,820 S * 8/2013 Yang D26/2
 D693,958 S 11/2013 Holley et al.
 D694,916 S * 12/2013 Su D26/2
 D696,335 S 12/2013 Li et al.
 D697,126 S 1/2014 Kim et al.
 D704,198 S 5/2014 Kim et al.
 D714,970 S 10/2014 Wu et al.
 D718,214 S 11/2014 Shipman
 D719,684 S * 12/2014 Grajcar D26/2
 D723,150 S 2/2015 Furner et al.
 D727,558 S 4/2015 Tang et al.
 D729,435 S 5/2015 Arndt et al.
 D729,436 S 5/2015 Arndt et al.
 D729,928 S 5/2015 Thornton et al.
 D732,728 S 6/2015 Rischau et al.
 D736,987 S 8/2015 Wiedemer et al.
 9,107,512 B2 8/2015 Chen
 D737,709 S 9/2015 Hulan
 2006/0262551 A1 11/2006 Fallahi
 2010/0171145 A1 7/2010 Morgan et al.
 2011/0095687 A1 4/2011 Jonsson
 2013/0249392 A1 9/2013 Kim

OTHER PUBLICATIONS

Simplehuman Semi-Round Step Trash Can. Cited in U.S. Appl. No. 29/504,683 as having a post date of Nov. 17, 2013, and site visitation of Oct. 19, 2014, (online), <http://www.amazon.com/simplehuman-Semi-Round-Trash-Stainless-Steel/dp/B001BO76WY/ref=pd_sim_201_6?ie=UTF8&refRID=1E21CJ97Y48S3E65HBNY&dpID=31Pa%2BaCMxhL&dpSrc=sims&preST=__AC_UL160_SR120%2C160_>>.
 Tall Laundry Hamper With Lid, Cited in U.S. Appl. No. 29/504,683 as having a post date of Dec. 29, 2013, and site visitation of Oct. 19, 2015, (online), <<https://www.tineye.com/search/e383f4700d91788f66af196c2d80653c9ee91ad0/>>>.
 Lid, Cited in U.S. Appl. No. 29/504,683 as having a post date of Feb. 20, 2015, and a site visitation date of Oct. 19, 2015, (online), <<https://www.tineye.com/search/da3634907d827f613eedd01289925a4f84afe6/>>>.
 Plastic Mirror with Rounded Corners, Cited in U.S. Appl. No. 29/504,683 as having a post date of May 24, 2012, and a visitation date of Oct. 19, 2015, (online), <http://www.amazon.com/Plastic-Mirrors-Rounded-Classroom-Activities/dp/B008673JAM/ref=pd_bxgy_201_img_2?ie=UTF8&refRID=0YW50P3D2219P8QnT2TJ>>.

* cited by examiner

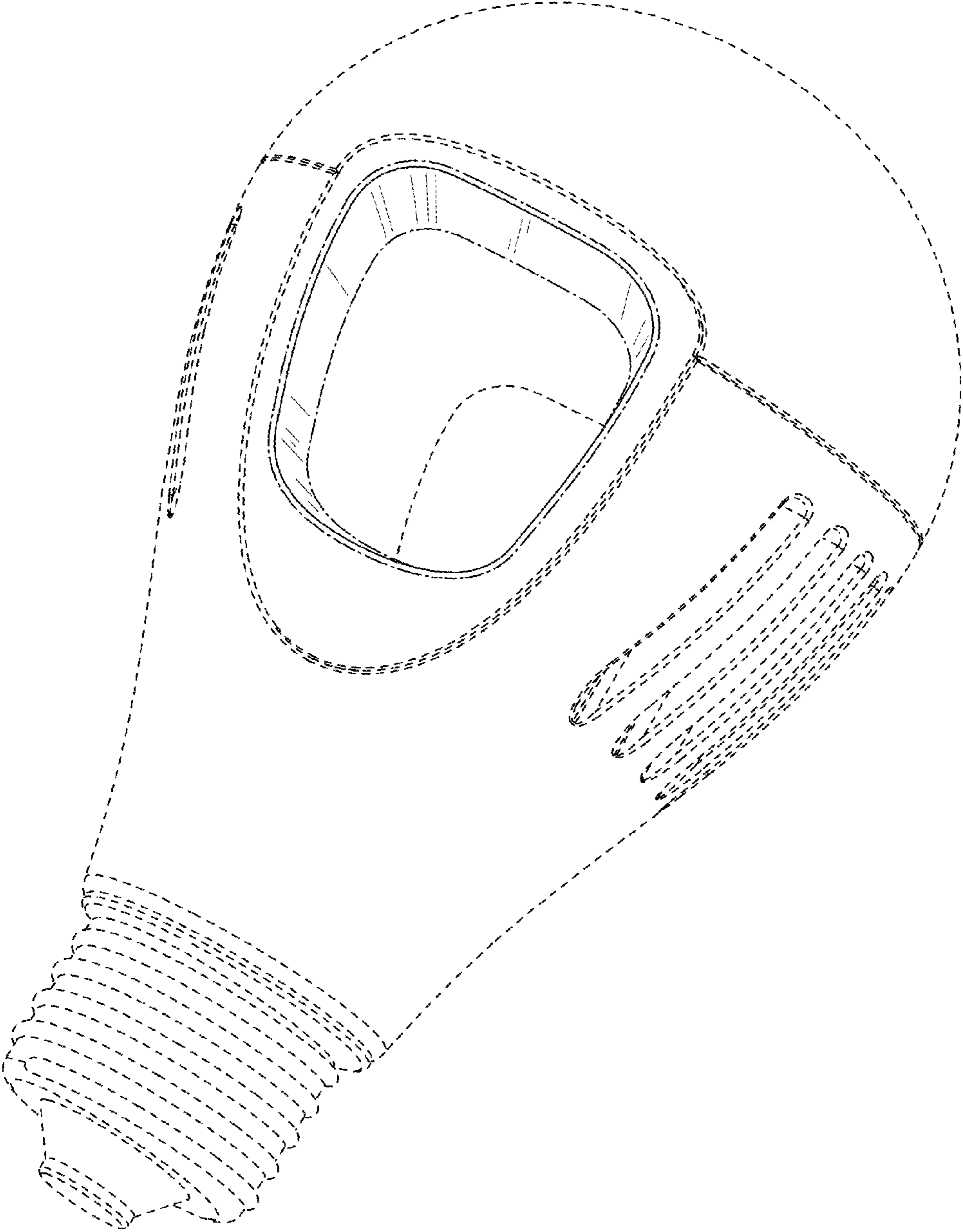


FIG. 1

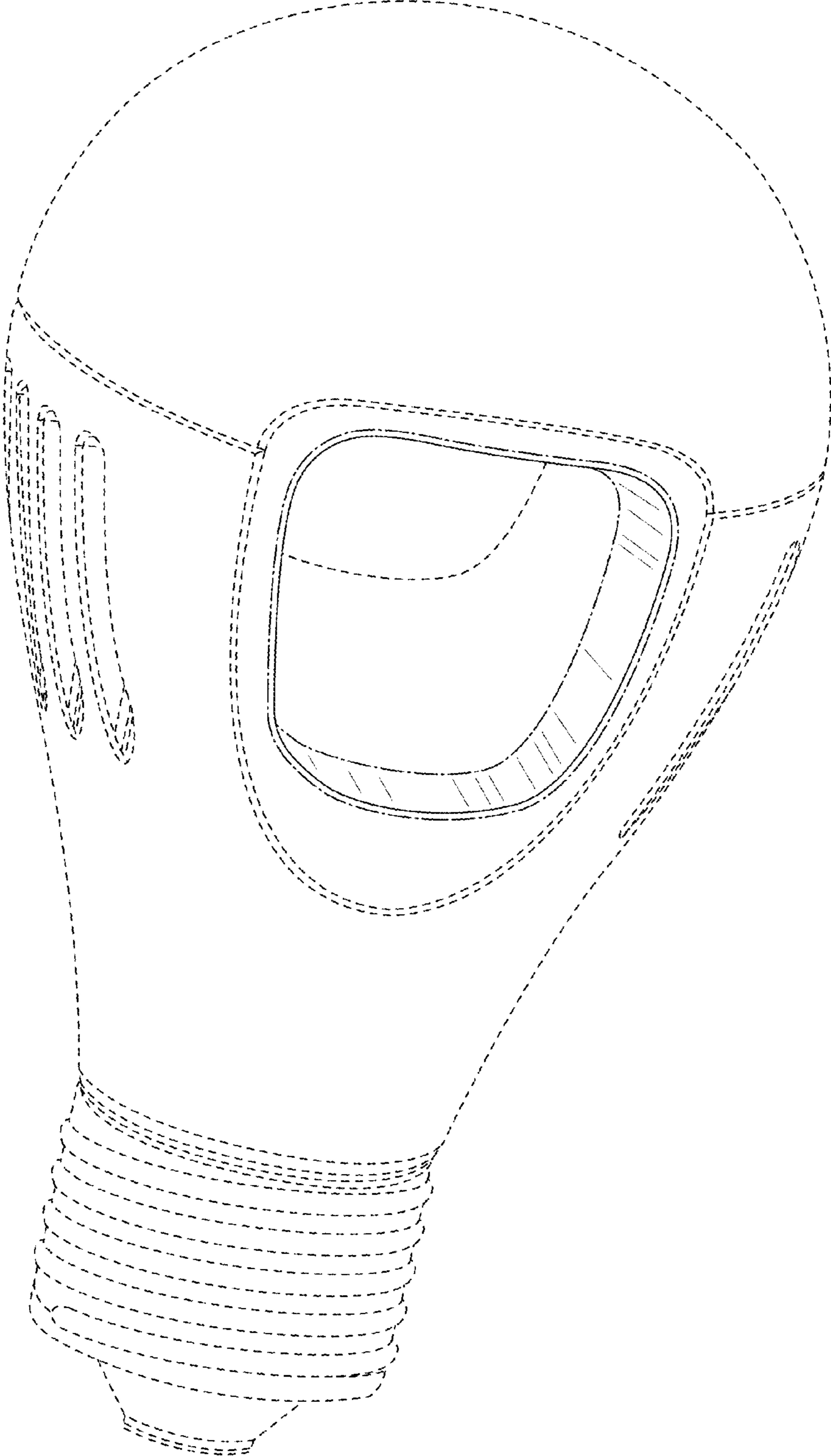


FIG. 2

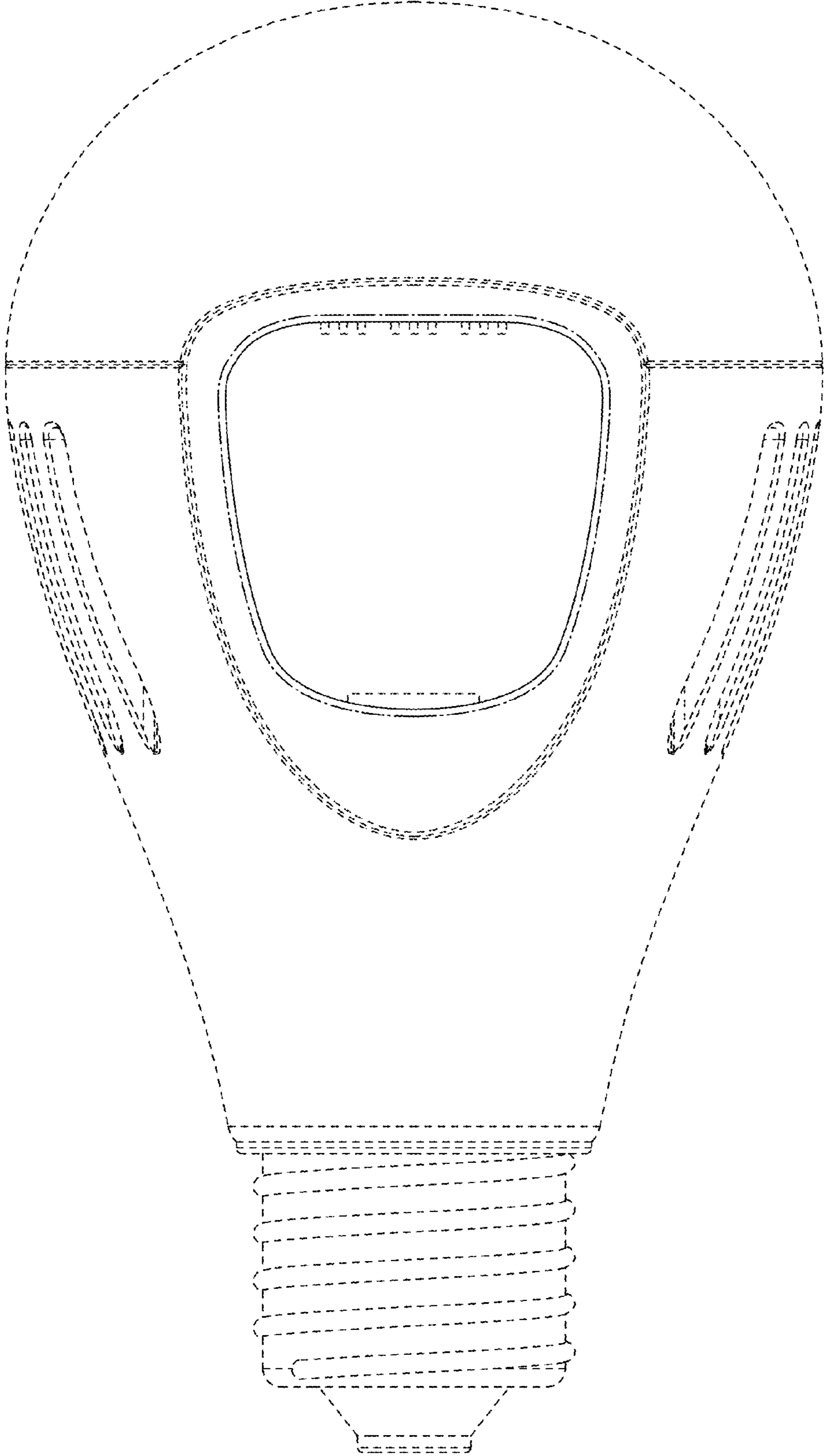


FIG. 3

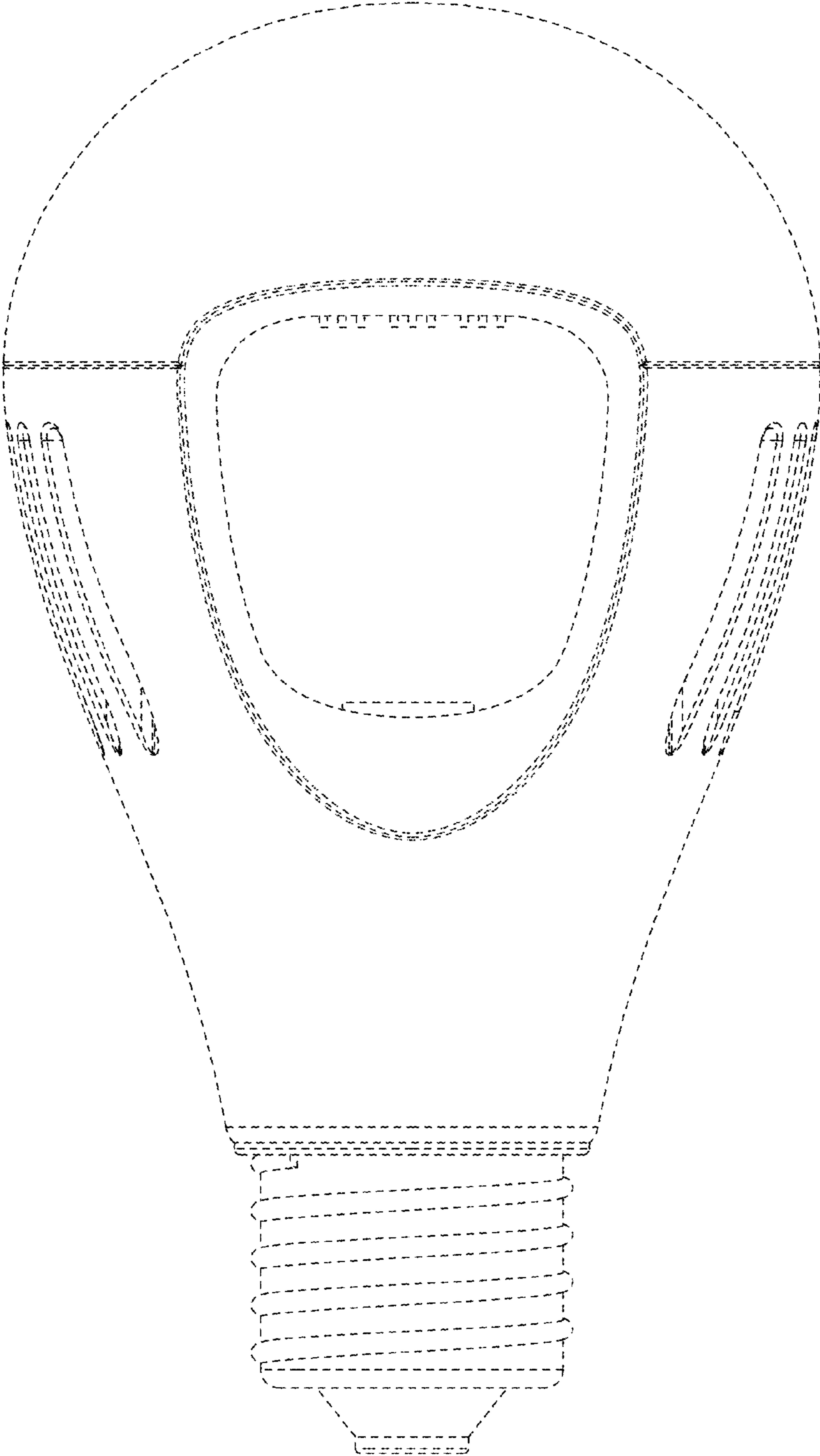


FIG. 4

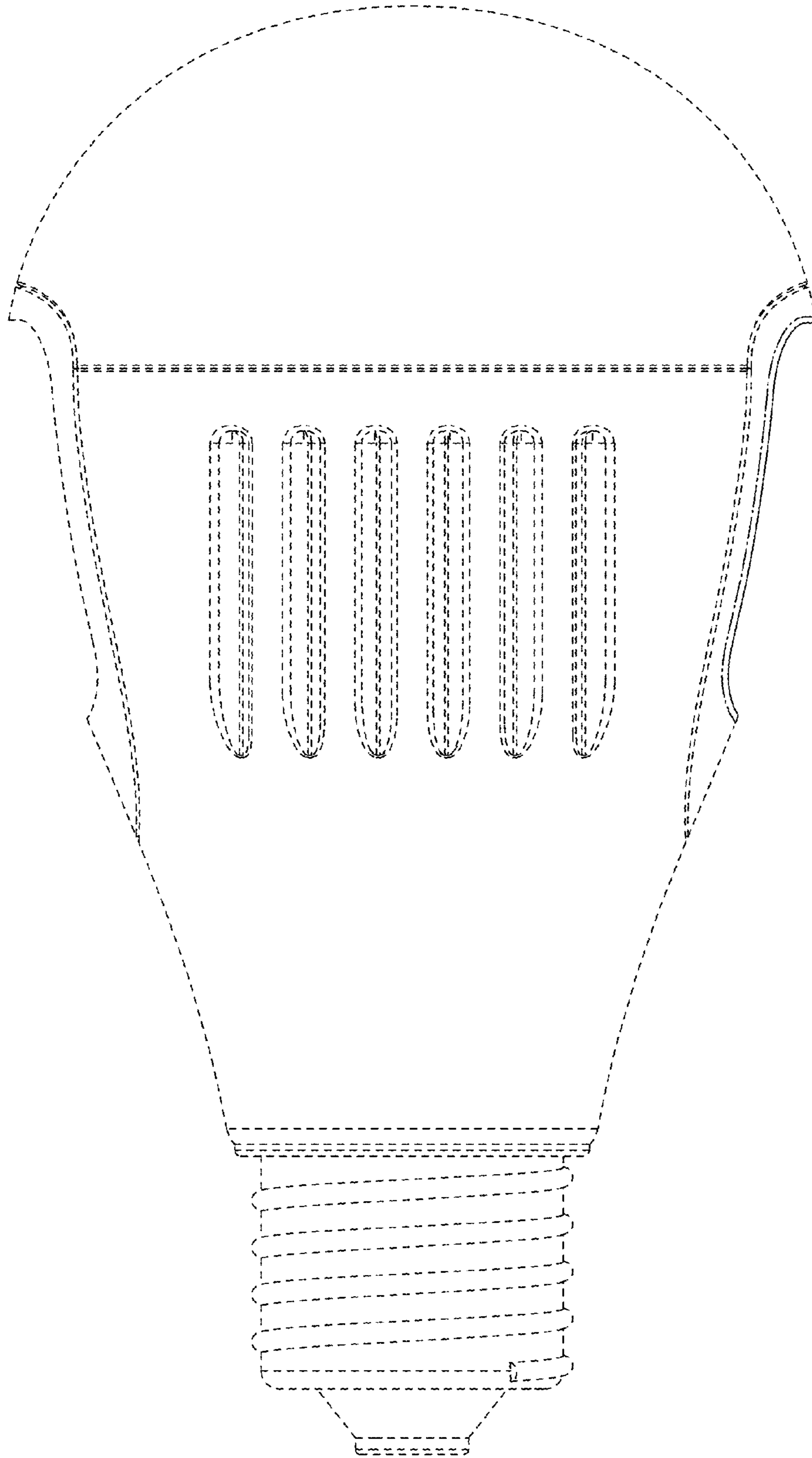


FIG. 5

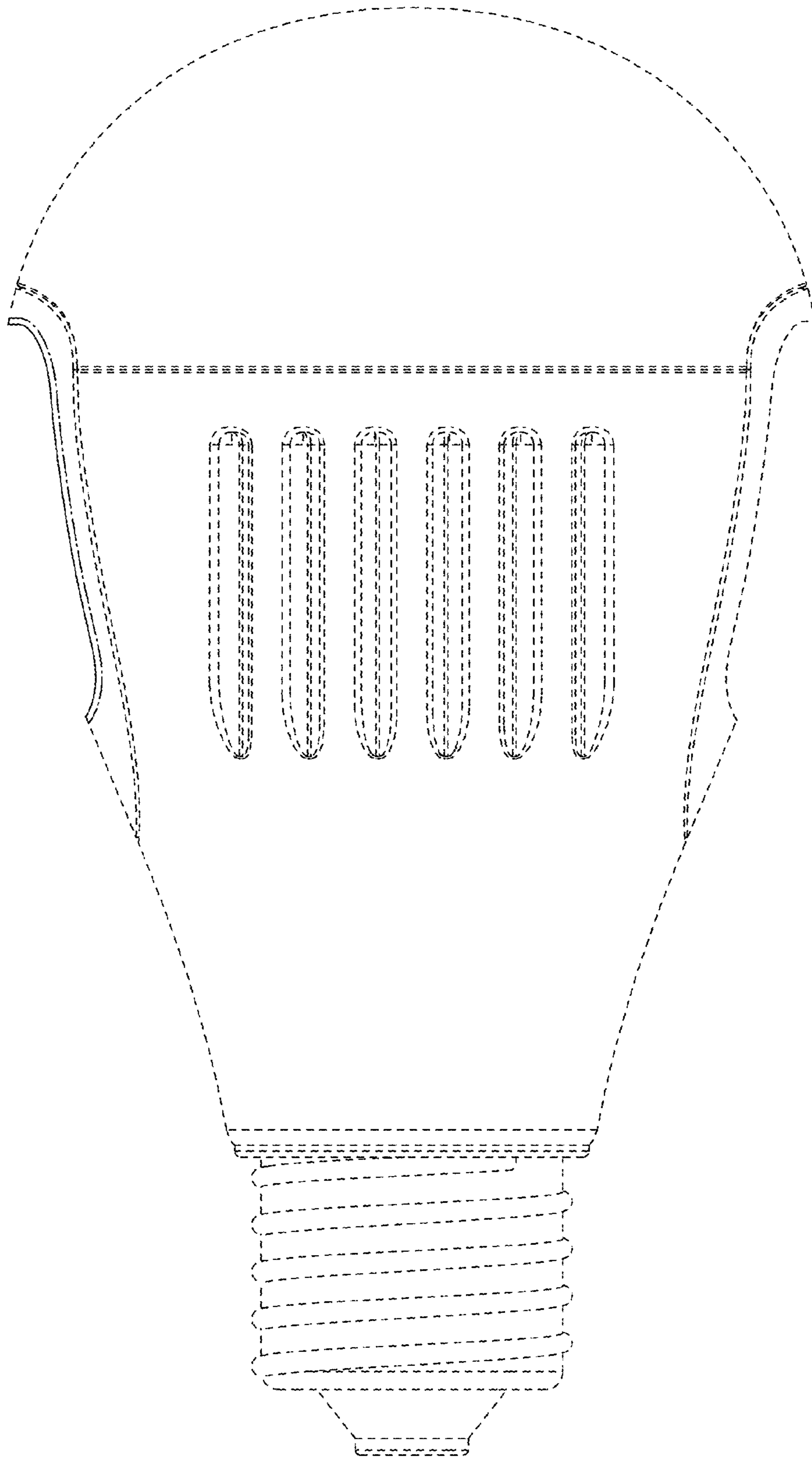


FIG. 6

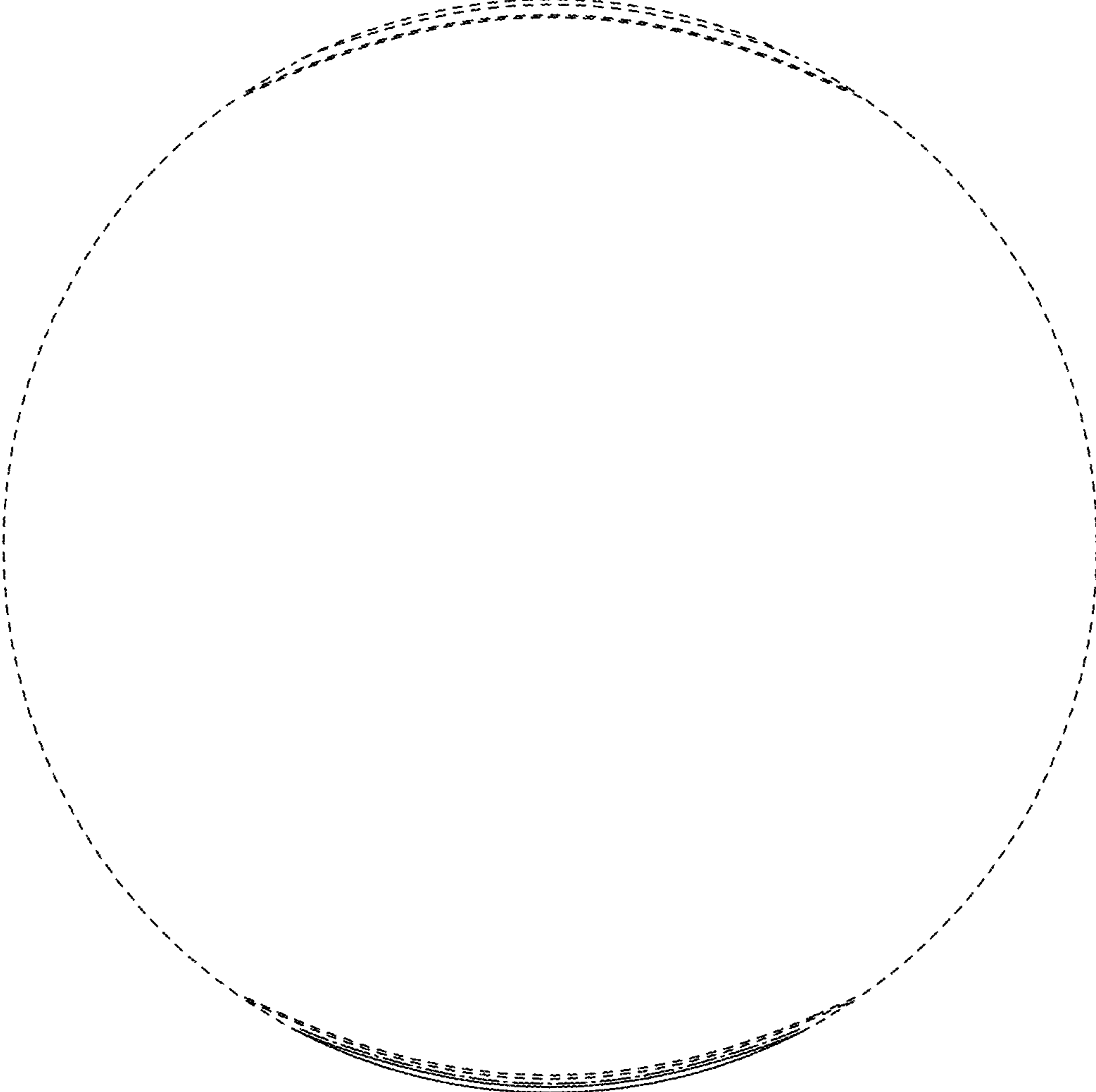


FIG. 7

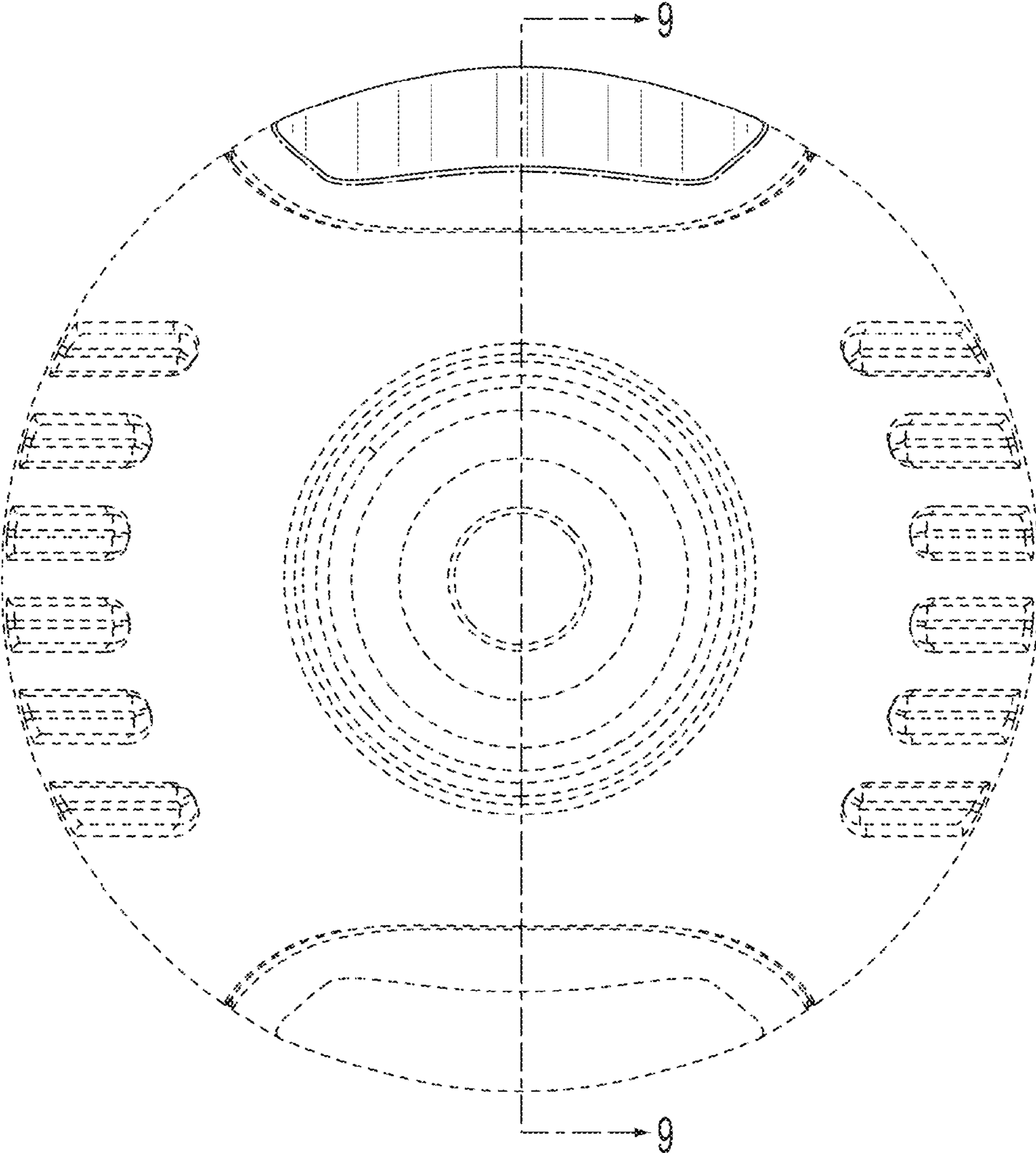


FIG. 8

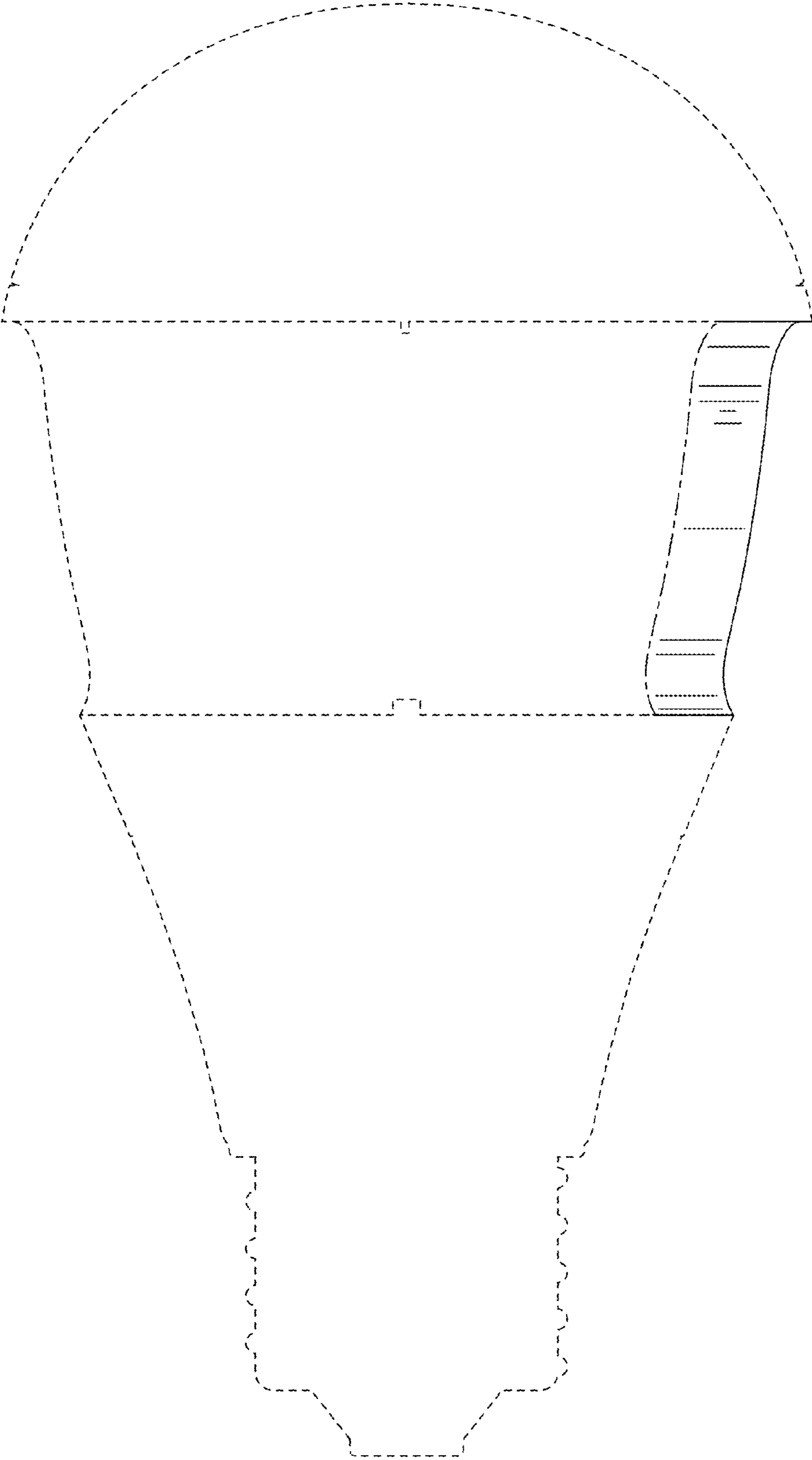


FIG. 9

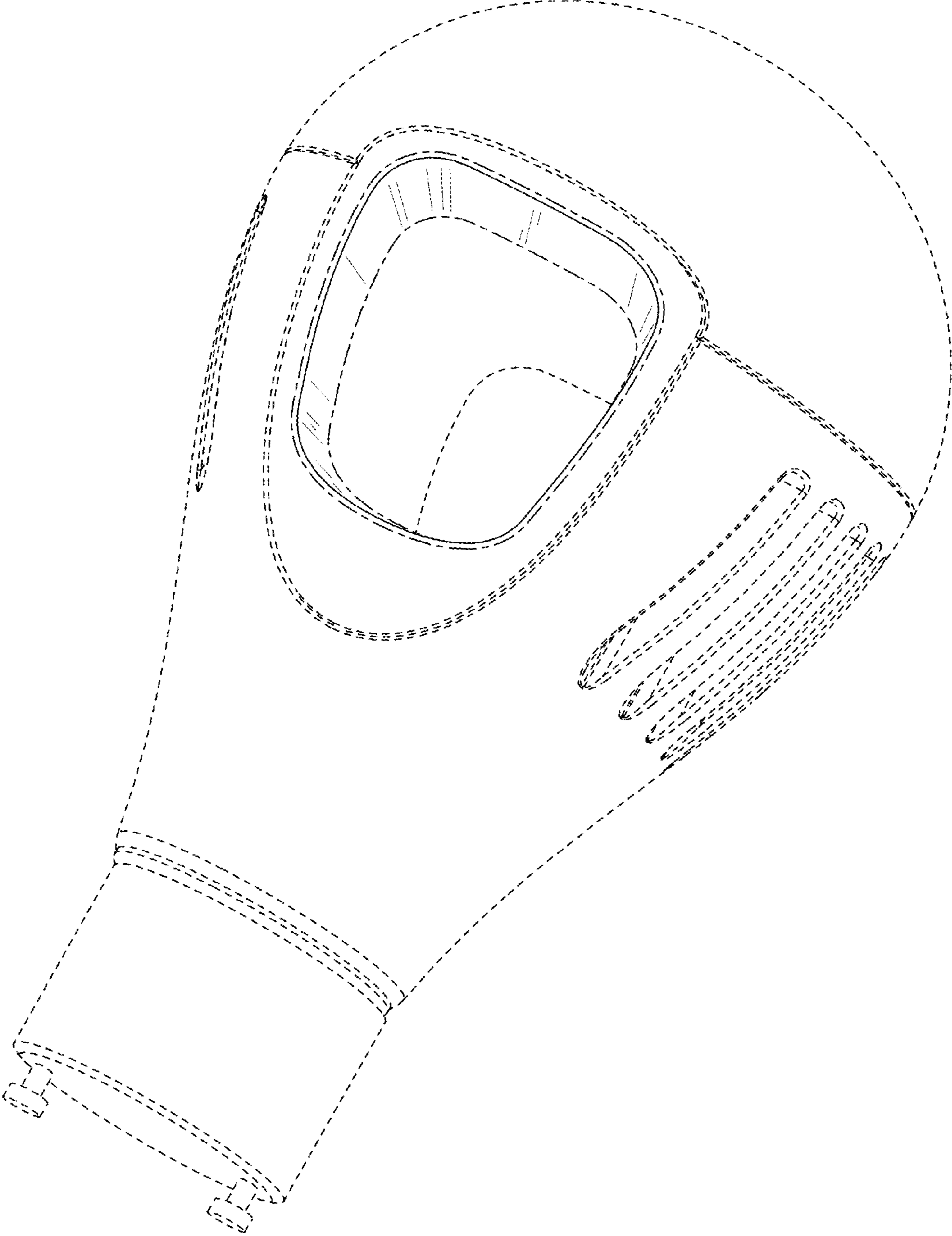


FIG. 10

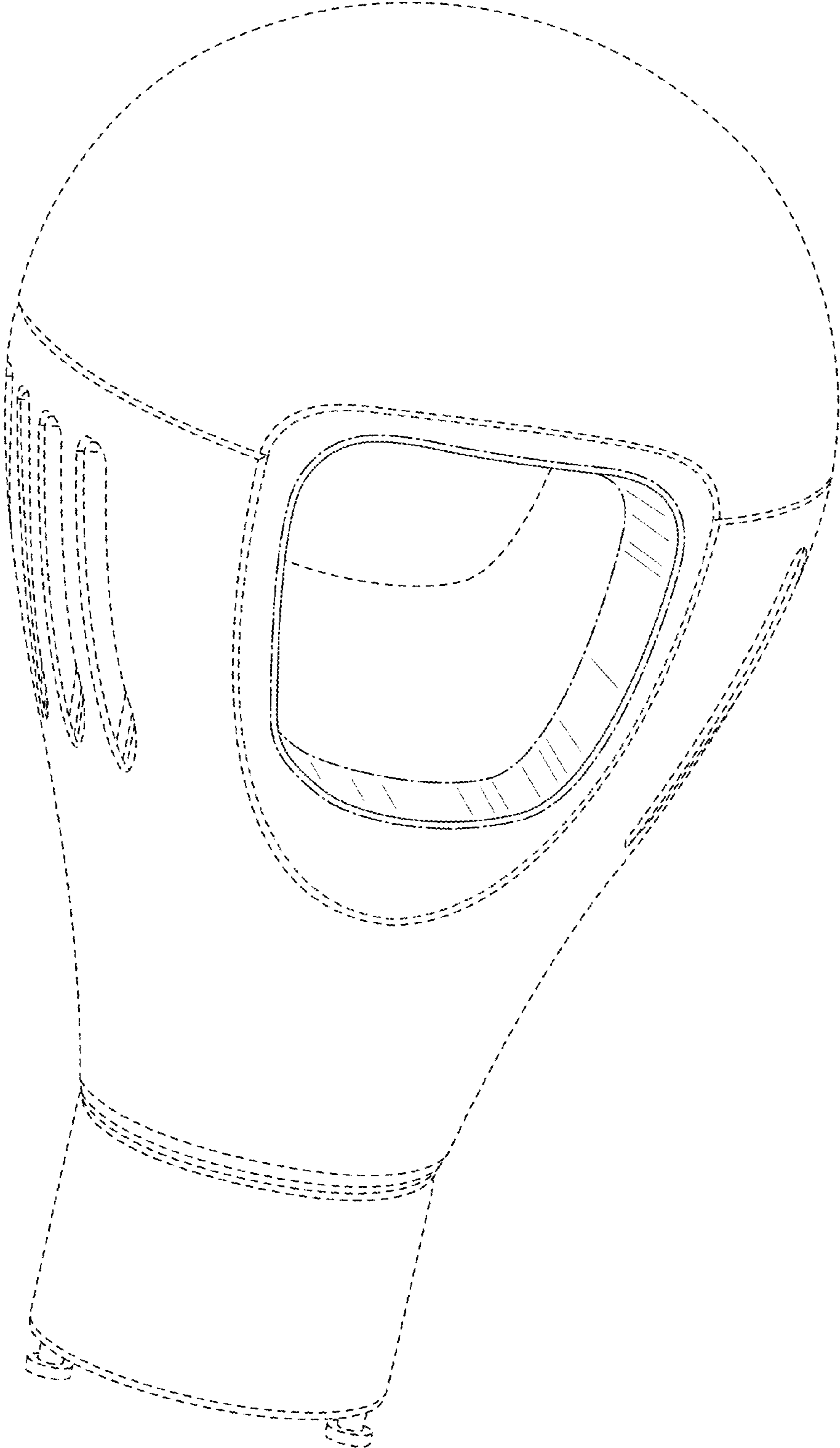


FIG. 11

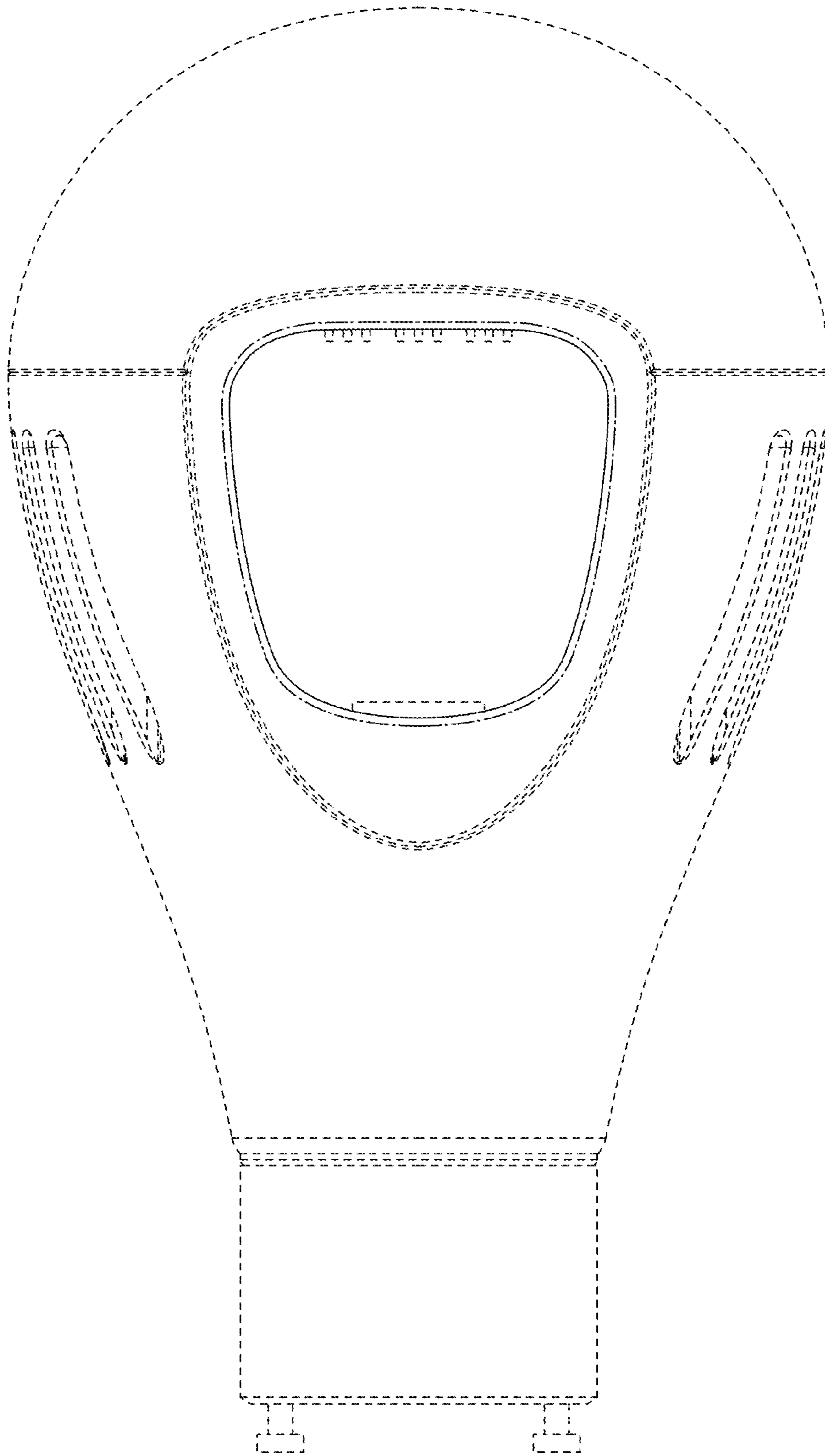


FIG. 12

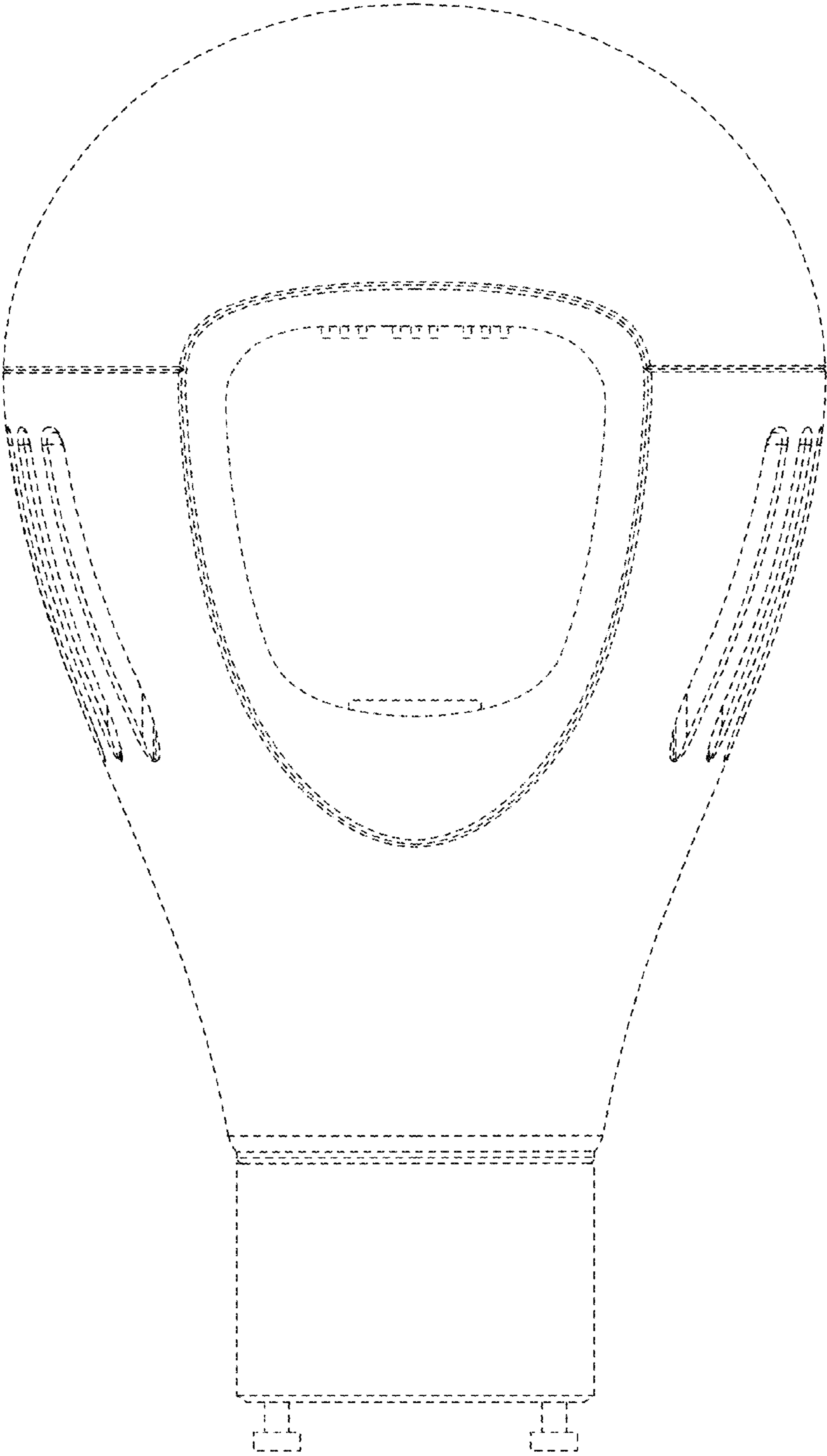


FIG. 13

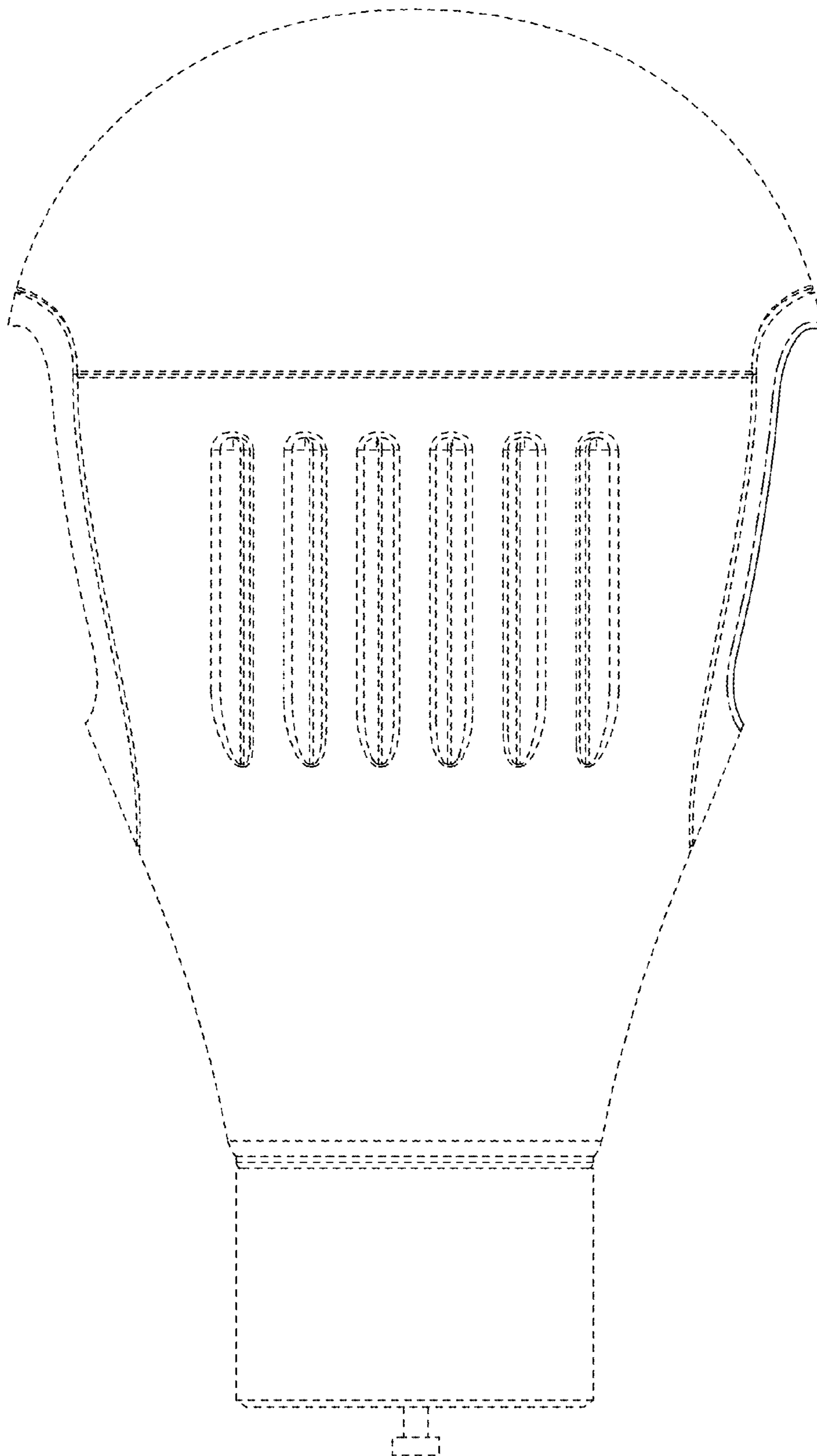


FIG. 14

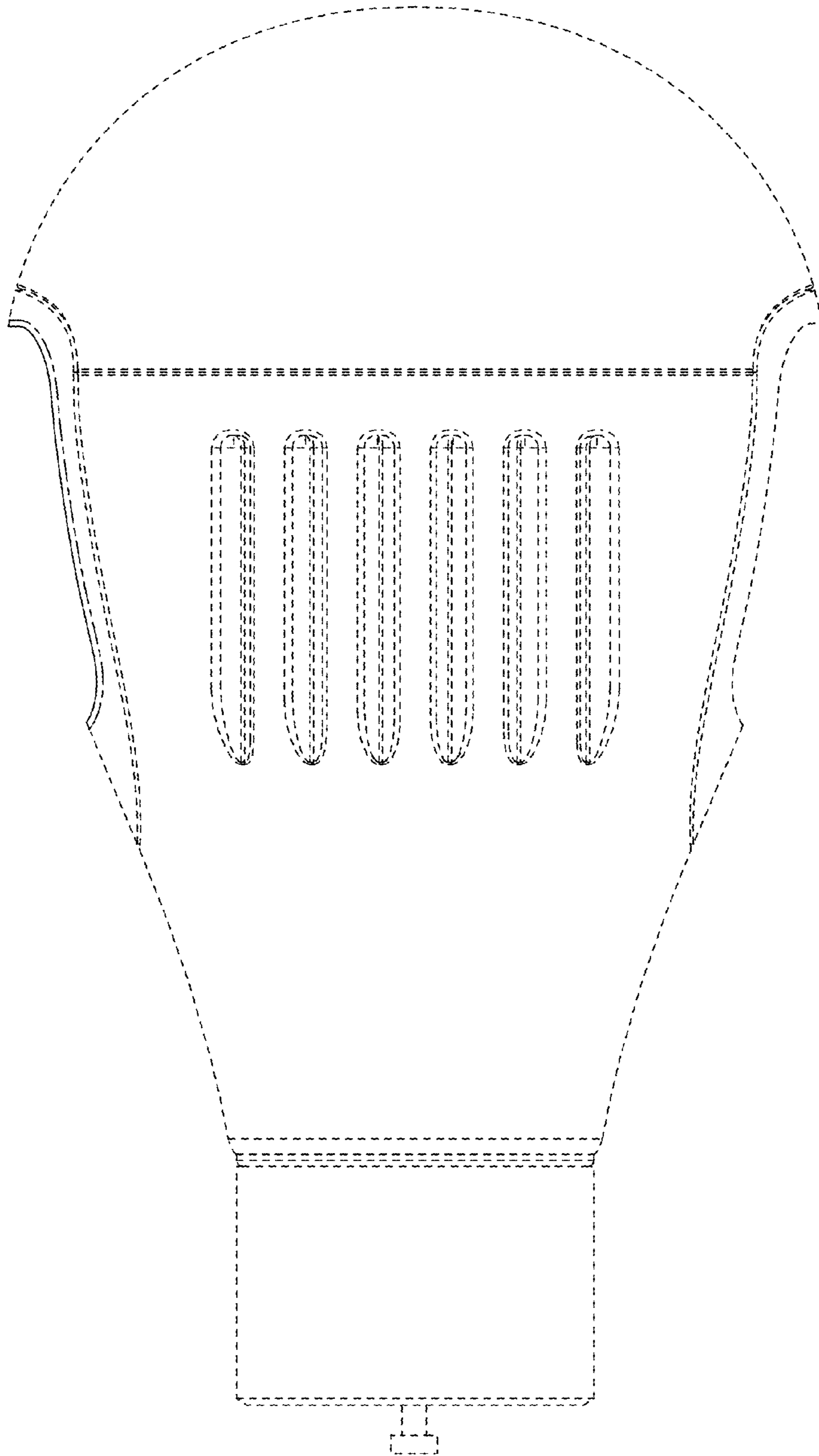


FIG. 15

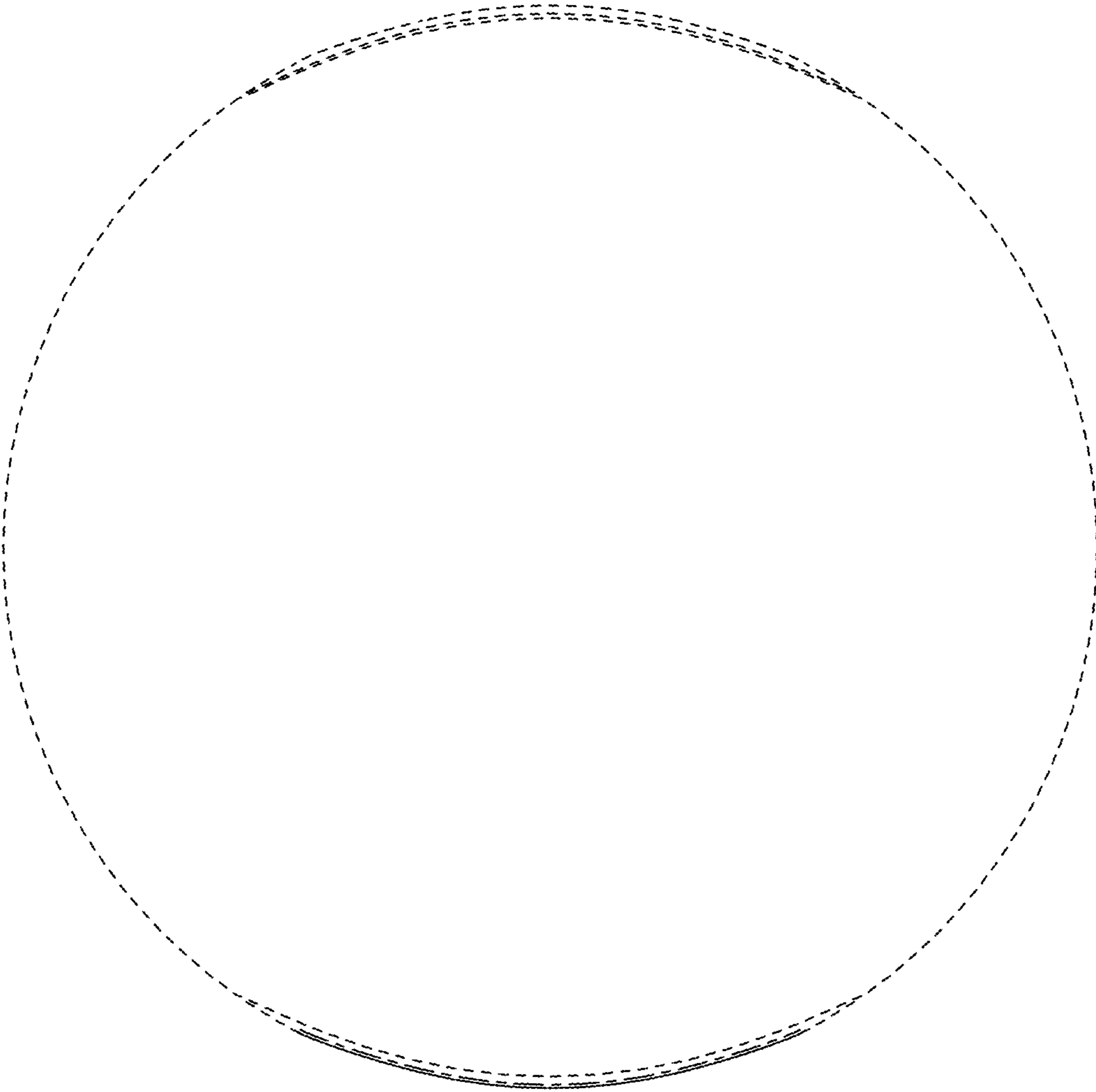


FIG. 16

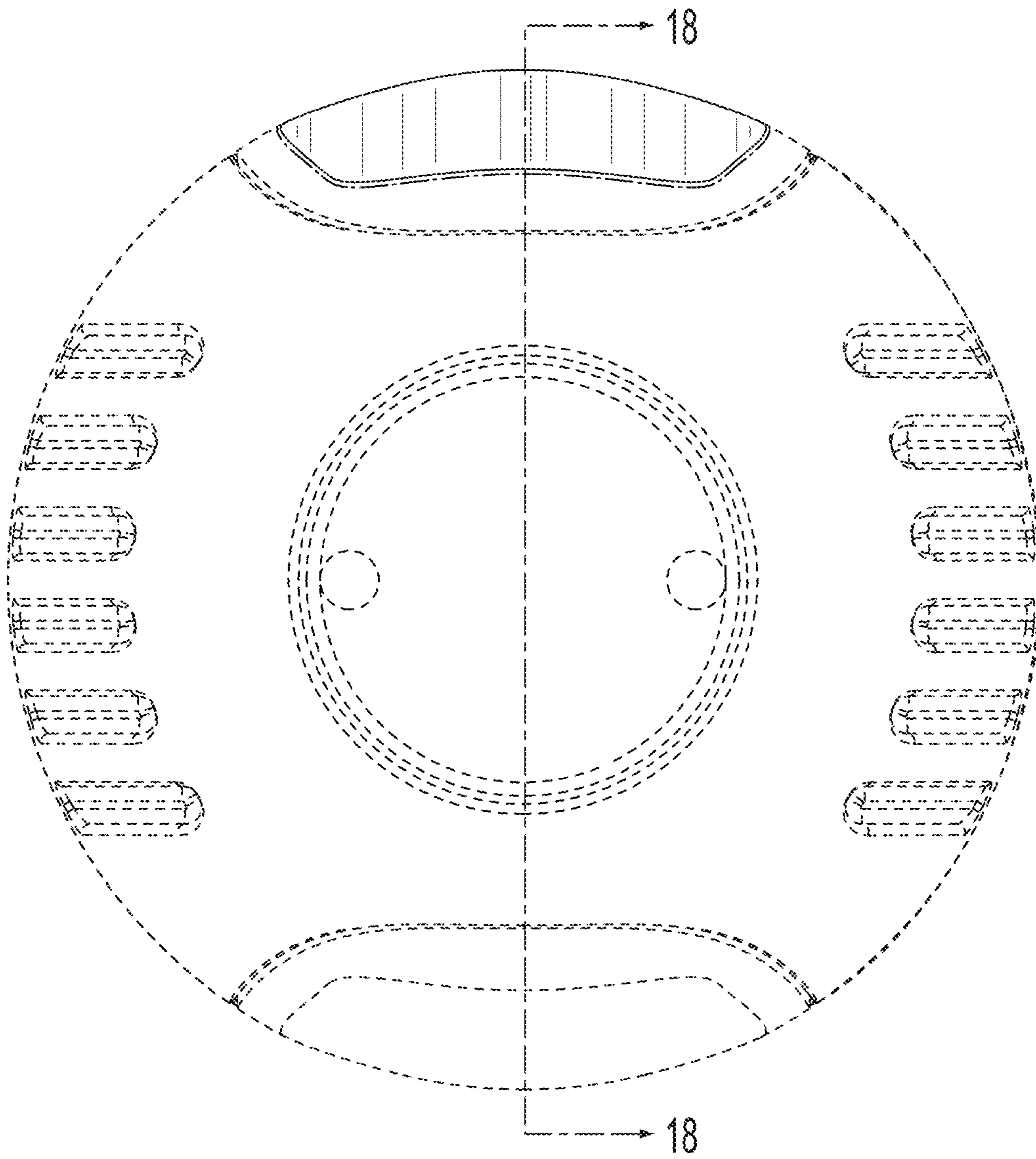


FIG. 17

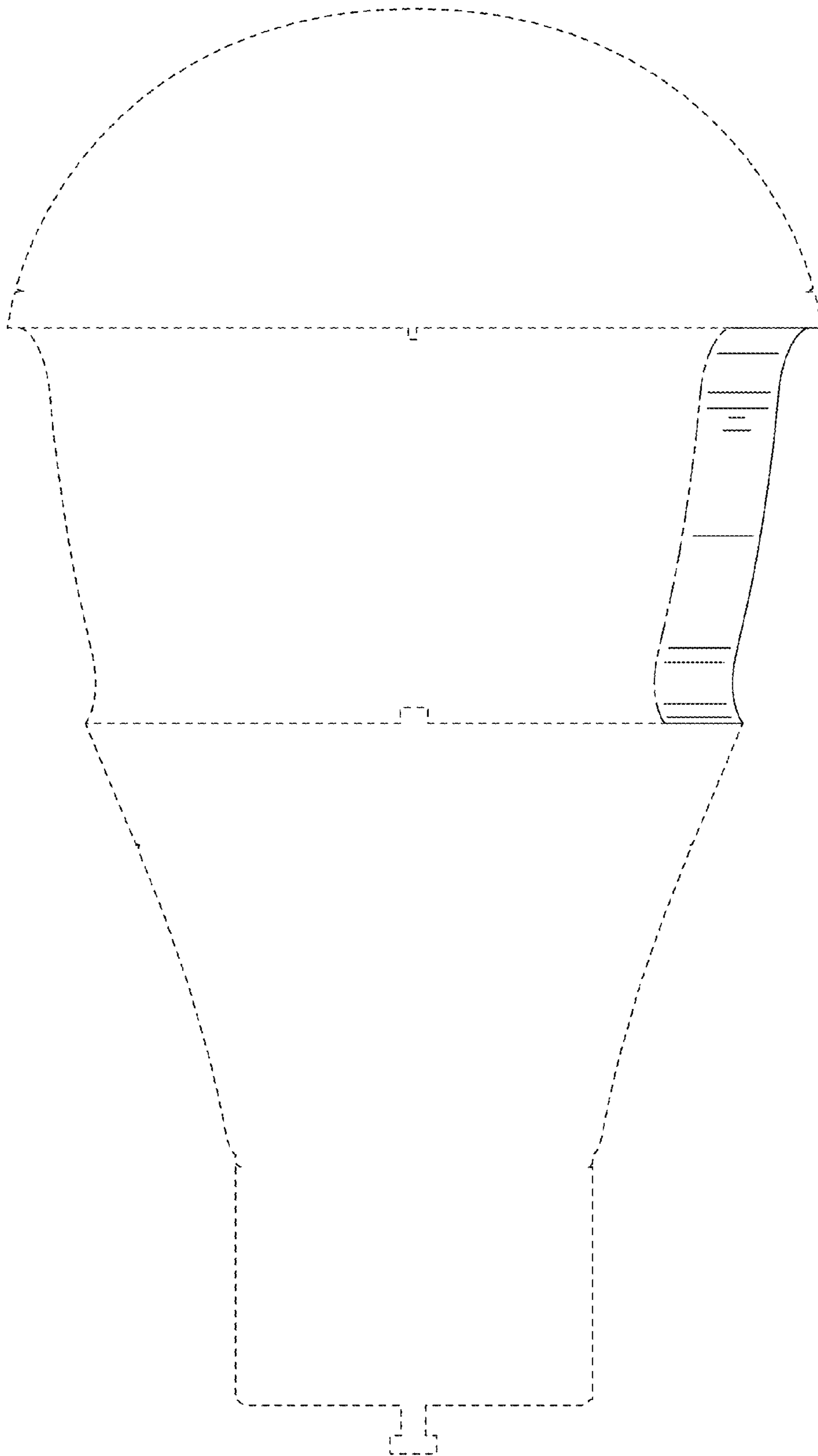


FIG. 18