



US00D753849S

(12) **United States Design Patent**  
**Cai et al.**

(10) **Patent No.:** **US D753,849 S**  
(45) **Date of Patent:** **\*\* Apr. 12, 2016**

(54) **TOWER SUB-STRUCTURE SUPPORT**

(56) **References Cited**

(71) Applicant: **Glenmartin Holding Co., LLC**,  
Columbia, MO (US)  
(72) Inventors: **Xinguo Cai**, Jefferson City, MO (US);  
**Christopher J Martin**, Columbia, MO  
(US)

U.S. PATENT DOCUMENTS

4,981,005 A \* 1/1991 McGinnis ..... E04H 12/08  
228/178  
D600,832 S \* 9/2009 Boardman ..... D25/133  
D650,095 S \* 12/2011 Smolinski ..... D25/133  
2011/0239585 A1 \* 10/2011 Kim ..... E04G 23/0218  
52/835

\* cited by examiner

(73) Assignee: **Glenmartin Holding Co., LLC**,  
Addison, TX (US)

*Primary Examiner* — Doris Clark  
(74) *Attorney, Agent, or Firm* — Dentons US LLP; Brian R.  
McGinley

(\*\*) Term: **14 Years**

(57) **CLAIM**  
We claim the ornamental design for a tower sub-structure  
support, as shown and described.

(21) Appl. No.: **29/497,129**

**DESCRIPTION**

(22) Filed: **Jul. 21, 2014**

**Related U.S. Application Data**

(63) Continuation of application No. 14/079,182, filed on  
Nov. 13, 2013, now Pat. No. 8,925,277.

(51) **LOC (10) Cl.** ..... **25-01**

(52) **U.S. Cl.**  
USPC ..... **D25/133**

(58) **Field of Classification Search**  
USPC ..... D25/127, 128, 133, 134  
CPC ... E04H 2012/006; E04H 17/08; E04H 12/06;  
E04H 12/08; E04H 12/085; E04H 12/10;  
E04H 12/20; E04H 12/22; E04H 12/347

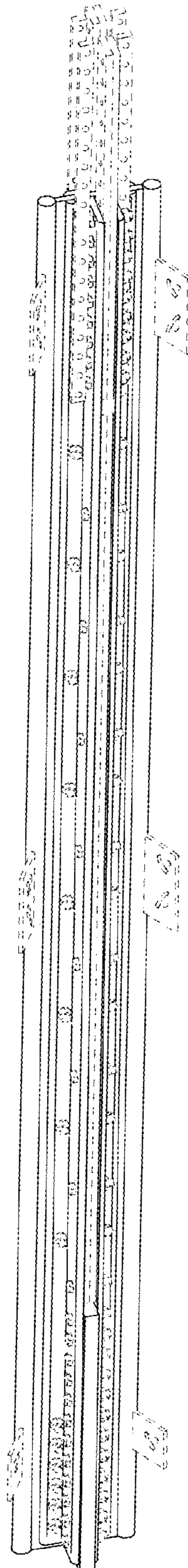
See application file for complete search history.

FIG. 1 is a rear perspective view of a tower sub-structure support illustrating the new design;  
FIG. 2 is a bottom view of the tower sub-structure support illustrated in FIG. 1;  
FIG. 3 is a top view of the tower sub-structure support illustrated in FIG. 1;  
FIG. 4 is a front view of the tower sub-structure support illustrated in FIG. 1;  
FIG. 5 is a rear view of the tower sub-structure support illustrated in FIG. 1;  
FIG. 6 is a rear view detail (top portion) of the tower sub-structure support illustrated in FIG. 5;  
FIG. 7 is a rear view detail (bottom portion) of the tower sub-structure support illustrated in FIG. 5;  
FIG. 8 is a left side elevational view of the tower sub-structure support illustrated in FIG. 1; and,  
FIG. 9 is a right side elevational view of the tower sub-structure support illustrated in FIG. 1.  
The dashed lines are included for the purpose of illustration and environment only and do not form a part of the claimed design.

**1 Claim, 4 Drawing Sheets**



FIG. 1



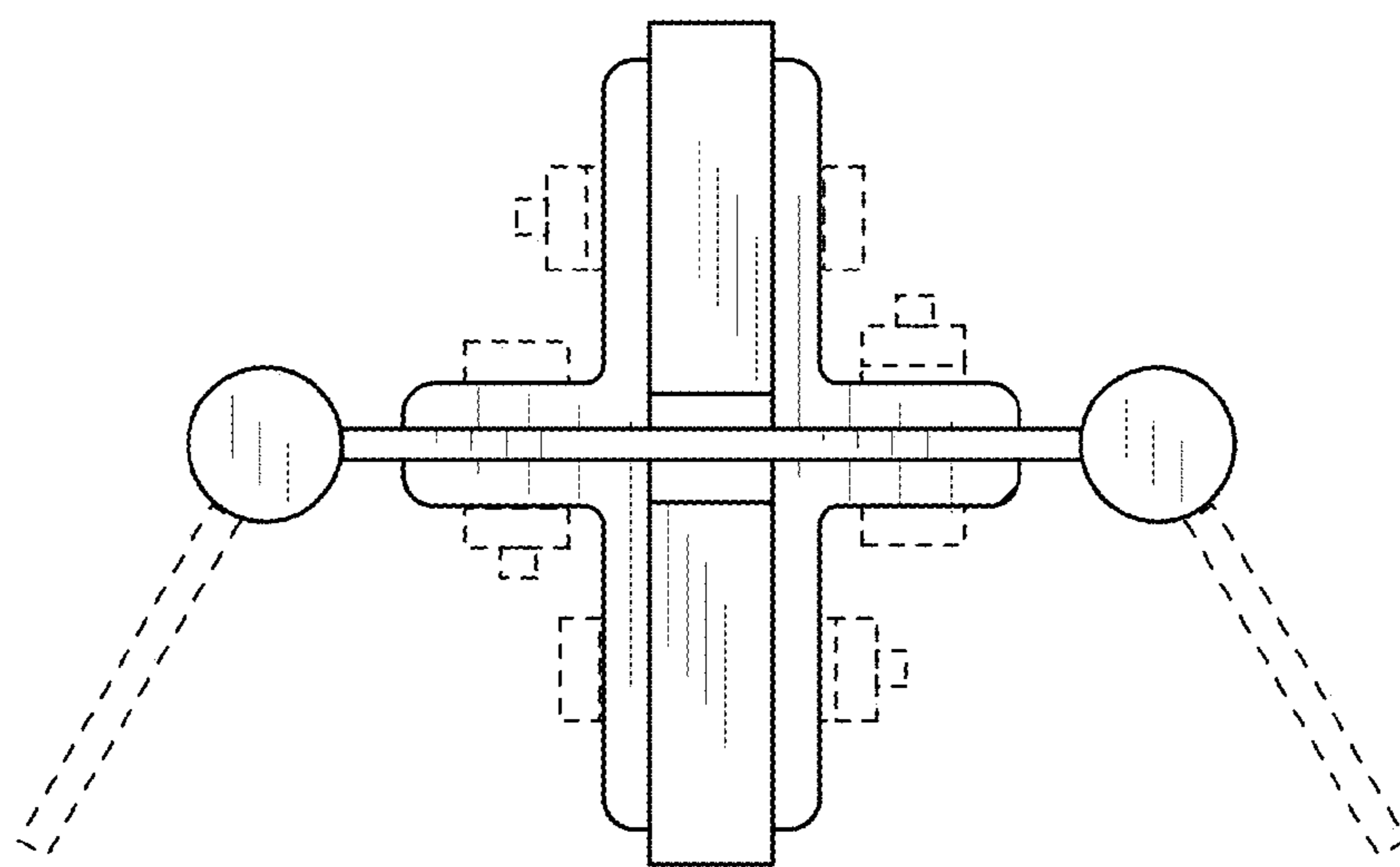


FIG. 2

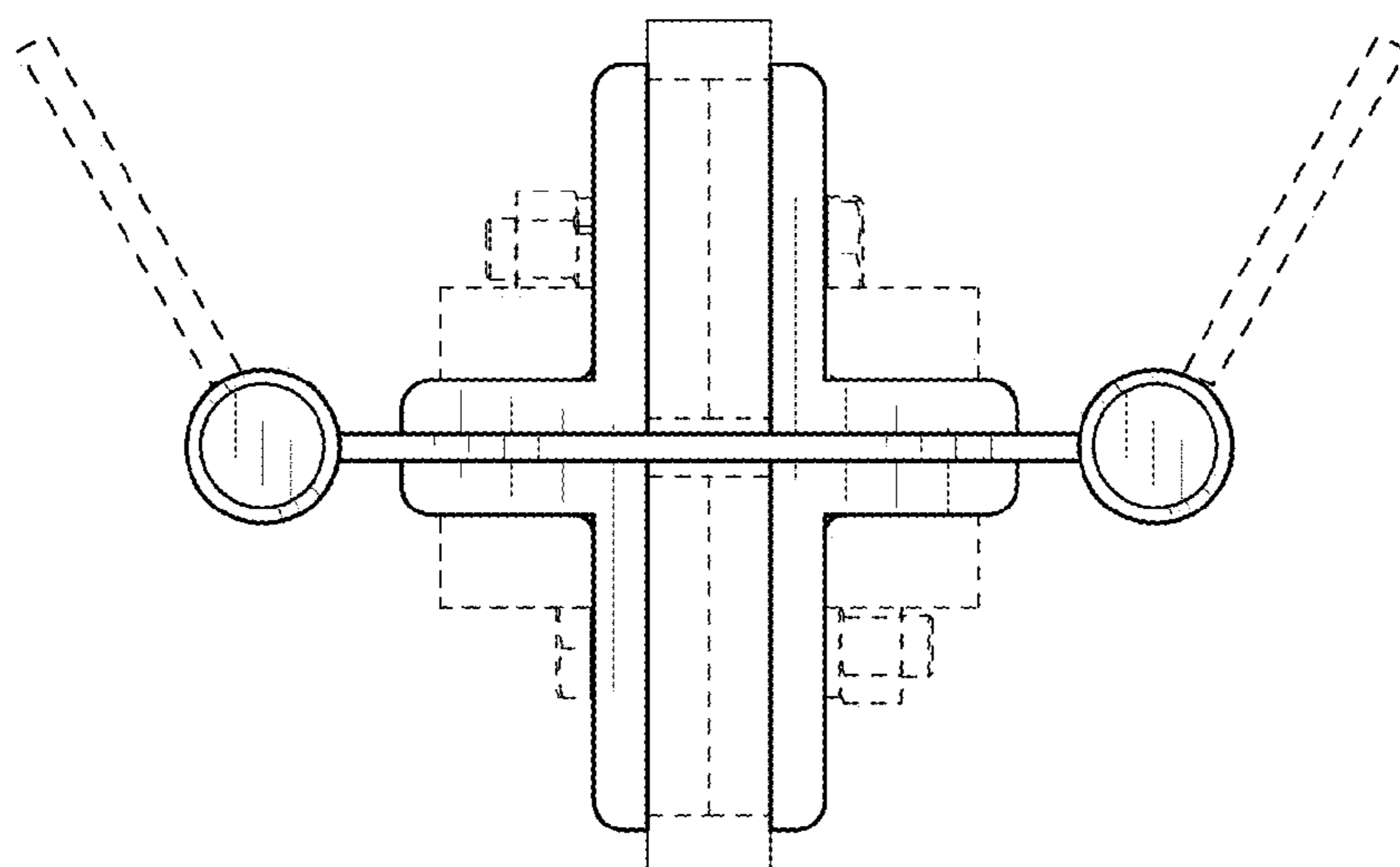


FIG. 3

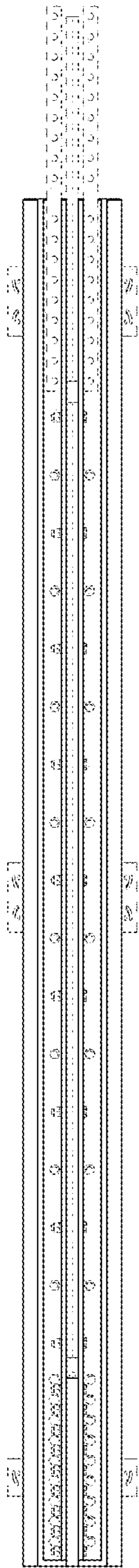


FIG. 4

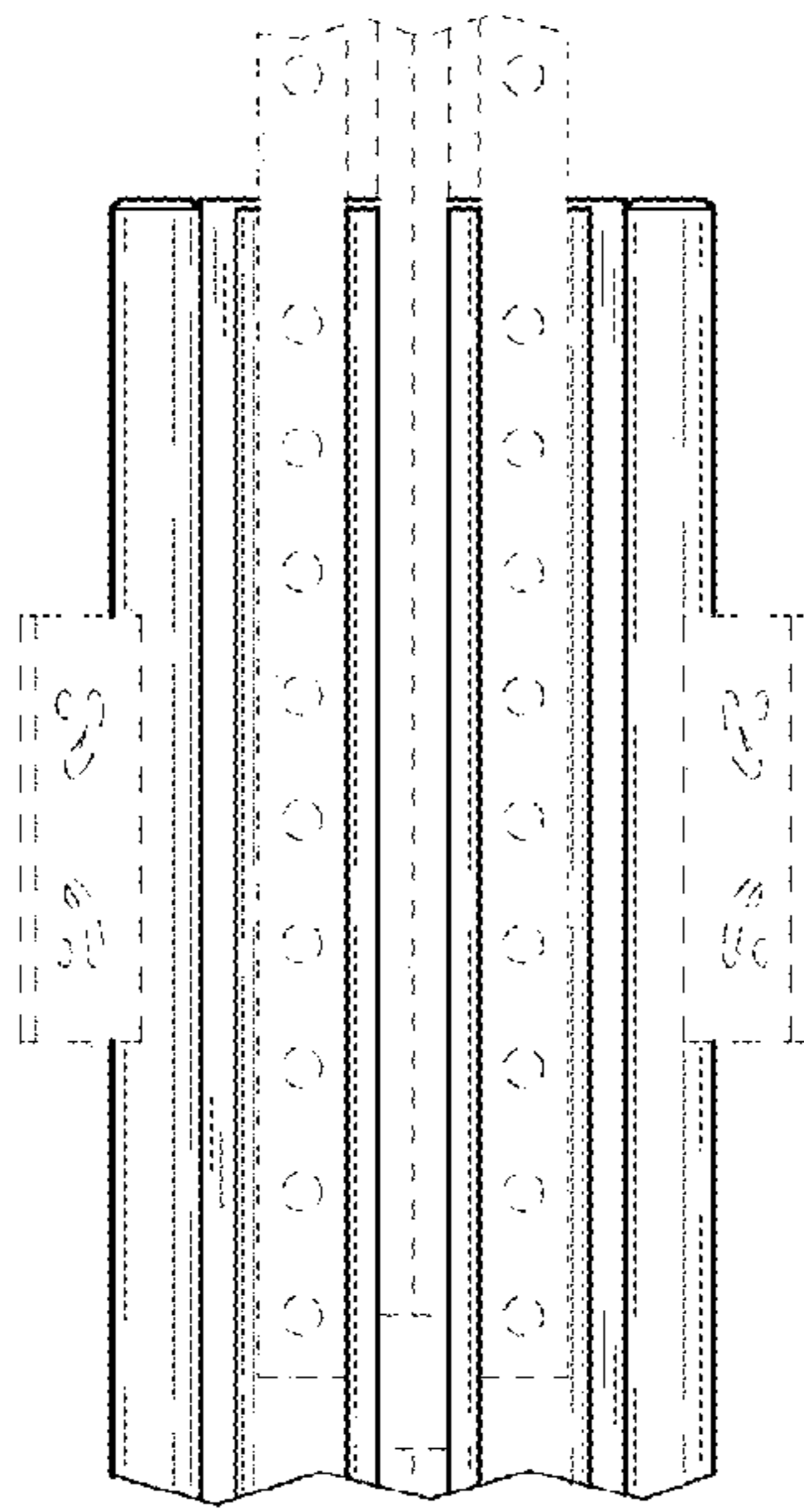


FIG. 6

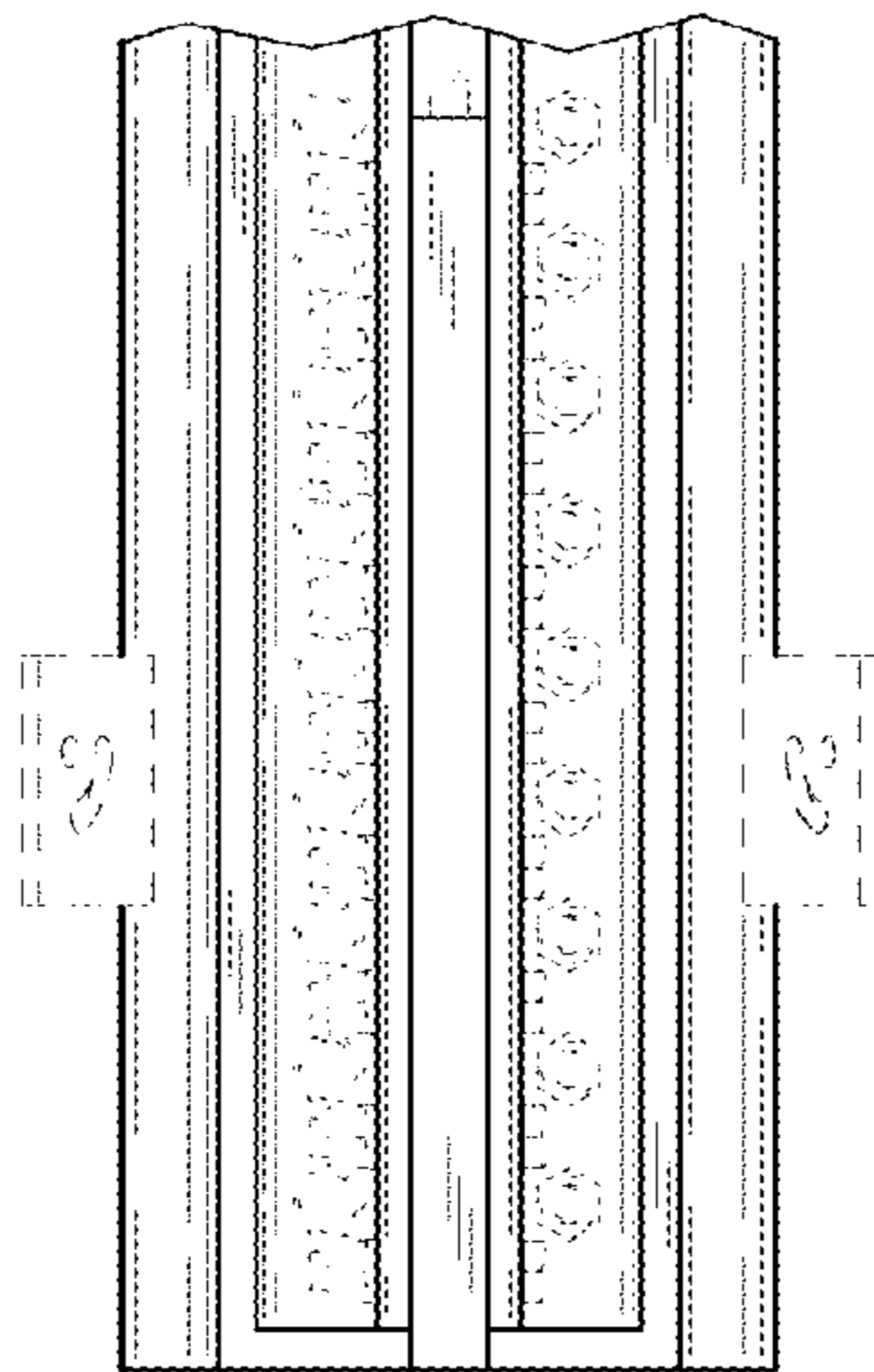


FIG. 7

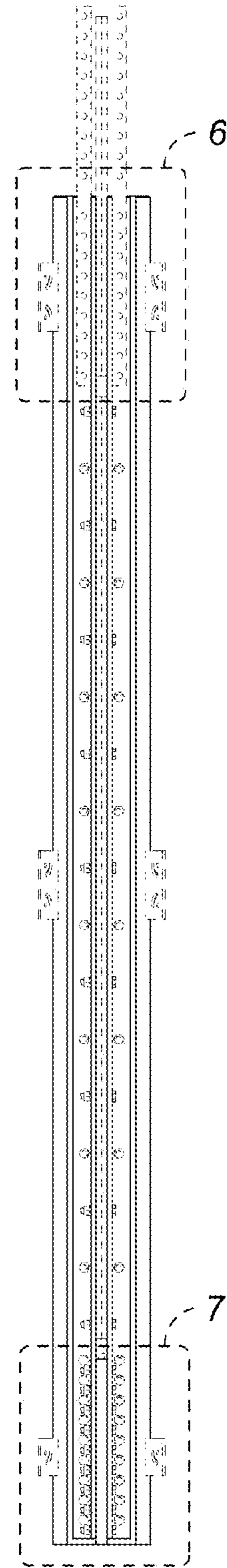


FIG. 5

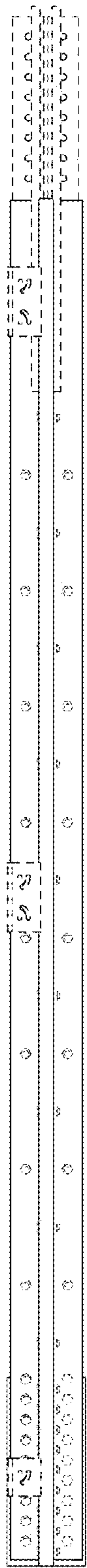


FIG. 8

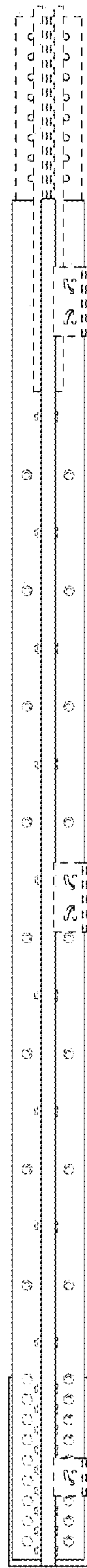


FIG. 9