



US00D753847S

(12) **United States Design Patent**
Gori et al.

(10) **Patent No.:** **US D753,847 S**
(45) **Date of Patent:** **** Apr. 12, 2016**

(54) **RAKE MOULDING**

(71) Applicants: **Michael Gori**, Evanston, IL (US); **Ben Bainter**, Palatine, IL (US)

(72) Inventors: **Michael Gori**, Evanston, IL (US); **Ben Bainter**, Palatine, IL (US)

(73) Assignee: **CPG International LLC**, Skokie, IL (US)

(**) Term: **14 Years**

(21) Appl. No.: **29/520,223**

(22) Filed: **Mar. 12, 2015**

(51) **LOC (10) Cl.** **25-01**

(52) **U.S. Cl.**
USPC **D25/119**

(58) **Field of Classification Search**
USPC D6/509; D25/52, 60, 119, 122-125;
D26/138; 49/501; 52/287.1, 716.1,
52/716.8, 718.04
CPC E06B 1/32; E06B 1/36; E06B 1/62;
E06B 1/70; E06B 3/72; E06B 2003/7069;
E06B 2003/7082

See application file for complete search history.

(56) **References Cited**

U.S. PATENT DOCUMENTS

D301,066 S *	5/1989	Dallaire	D25/124
D301,068 S *	5/1989	Dallaire	D25/124
D353,896 S *	12/1994	Dallaire	D25/124
D436,411 S *	1/2001	Morton	D25/124
D436,673 S *	1/2001	Hauberg	D25/124
D437,425 S *	2/2001	Hauberg	D25/124
D438,643 S *	3/2001	Hauberg	D25/124
D439,347 S *	3/2001	Ballard	D25/124
D439,679 S *	3/2001	Ballard	D25/124
D442,291 S *	5/2001	Ballard	D25/124

D451,211 S *	11/2001	Hauberg	D25/124
D453,381 S *	2/2002	Ballard	D25/124
D453,841 S *	2/2002	Hauberg	D25/124
D482,460 S *	11/2003	Knapp	D25/119
D486,589 S *	2/2004	Knapp	D25/119
D486,590 S *	2/2004	Knapp	D25/119
D512,164 S *	11/2005	Schrader	D25/119
D573,723 S *	7/2008	Vibiano	D25/136
D574,513 S *	8/2008	Vibiano	D25/136
D577,131 S *	9/2008	Cole	D25/119
D587,818 S *	3/2009	Schrader	D25/119
D640,801 S *	6/2011	Wickland	D25/119
D661,524 S *	6/2012	Watts	D25/119
D674,122 S	1/2013	Sims		
D720,868 S	1/2015	Gori et al.		
2013/0219784 A1 *	8/2013	Larsen	A01G 1/08 47/33

* cited by examiner

Primary Examiner — Manpreet Matharu

Assistant Examiner — Aula Soroush

(74) *Attorney, Agent, or Firm* — Buchanan Ingersoll & Rooney PC

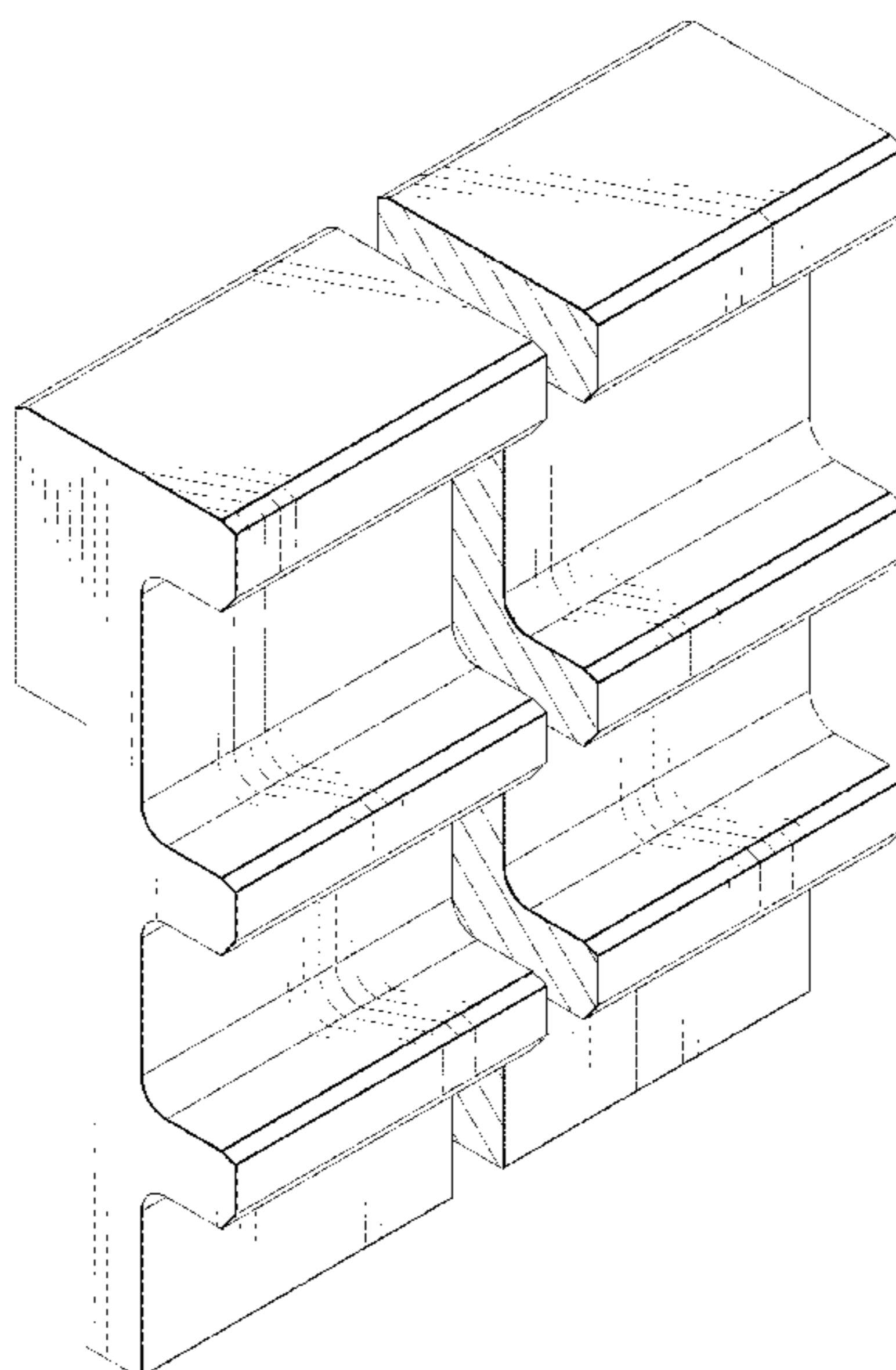
(57) **CLAIM**

The ornamental design for a rake moulding, as shown and described.

DESCRIPTION

FIG. 1 is a rear perspective view of a rake moulding showing our new design;
FIG. 2 is a rear elevational view thereof;
FIG. 3 is a front elevational view thereof;
FIG. 4 is a left side view thereof, the right side view being a mirror image thereof;
FIG. 5 is a top plan view thereof; and,
FIG. 6 is a bottom plan view thereof.
The rake moulding is shown with a symbolic break in its length. The appearance of any portion of the rake moulding between the break lines forms no part of the claimed design.

1 Claim, 5 Drawing Sheets



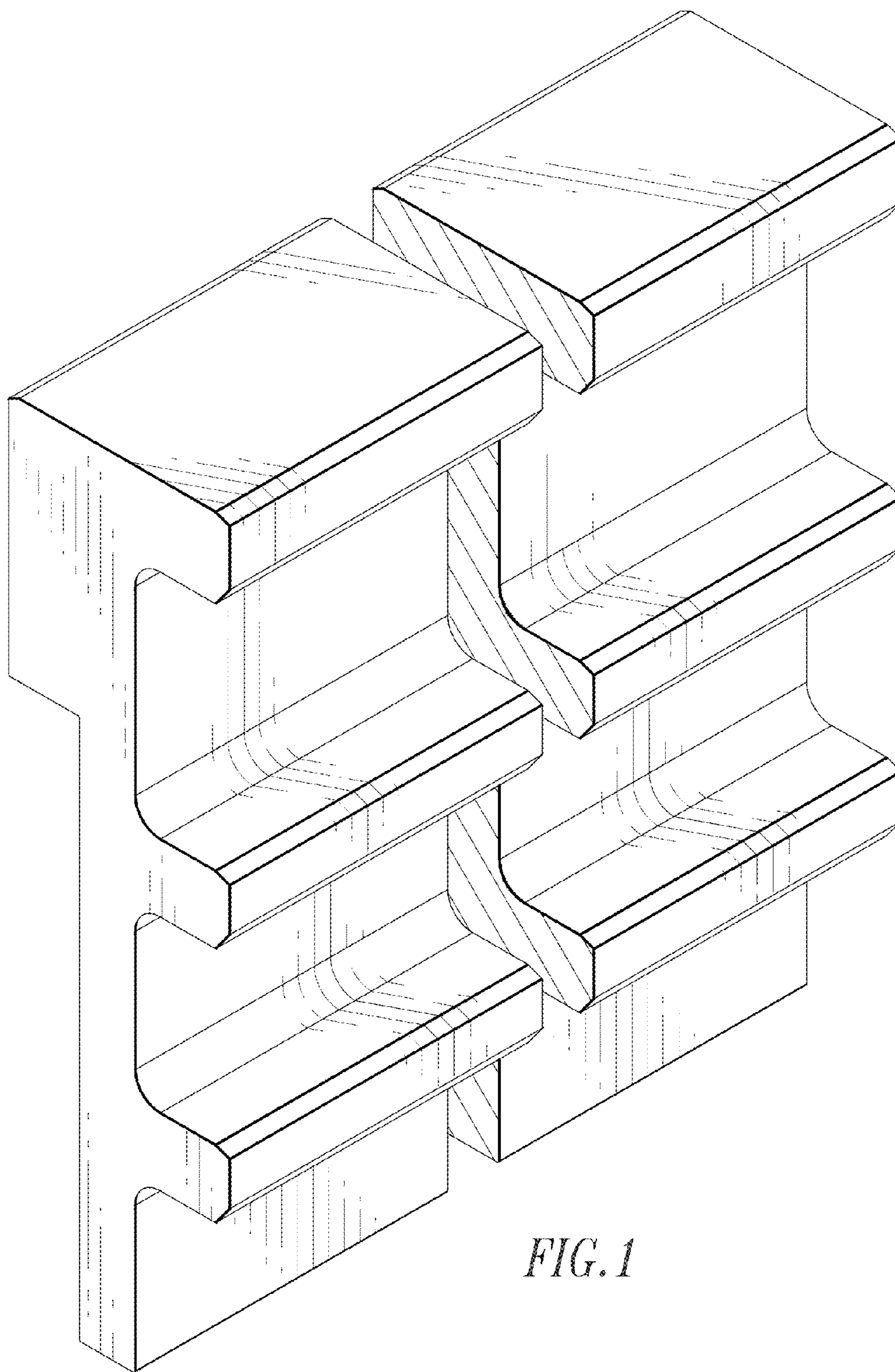


FIG. 1

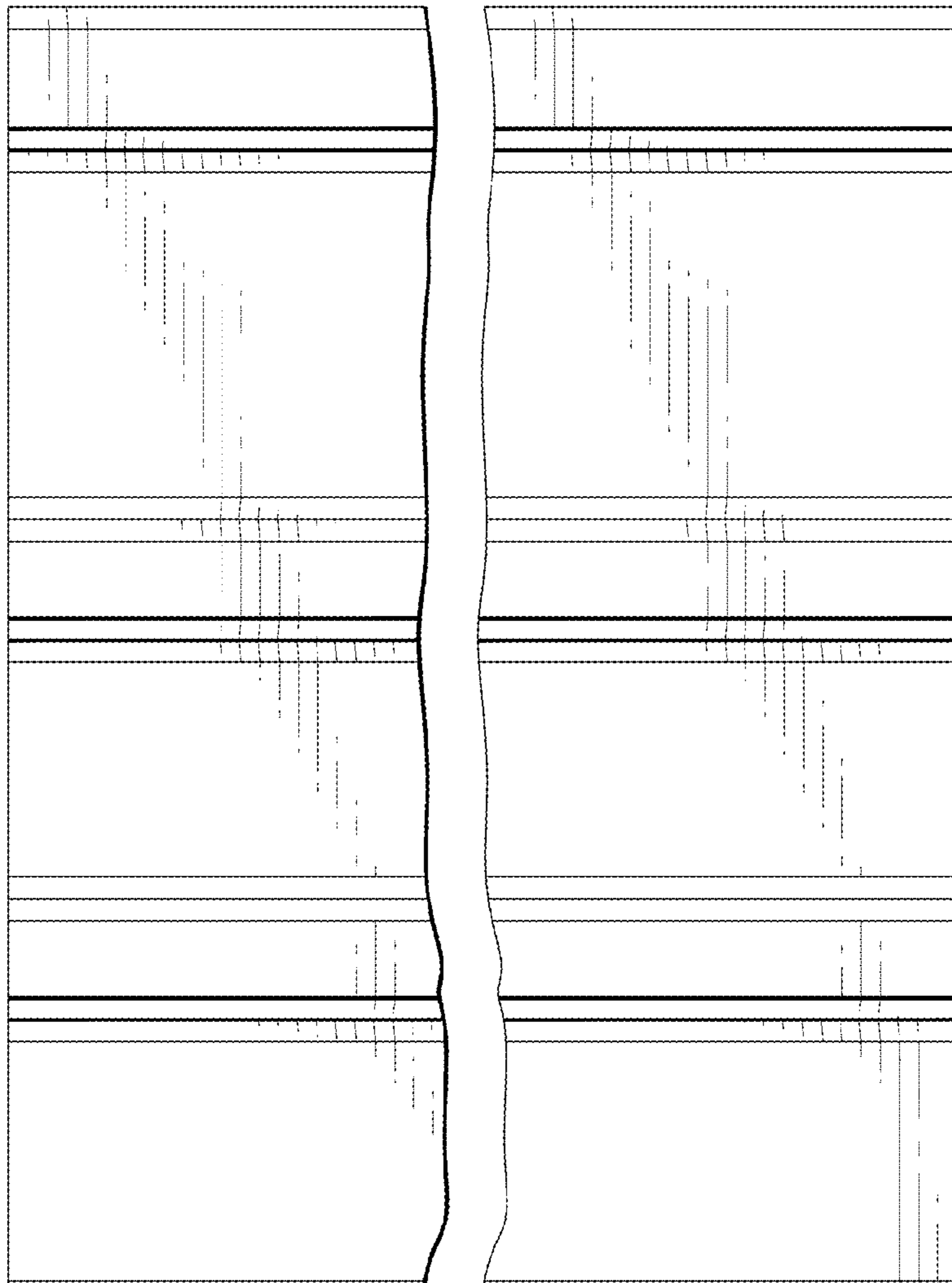


FIG. 2

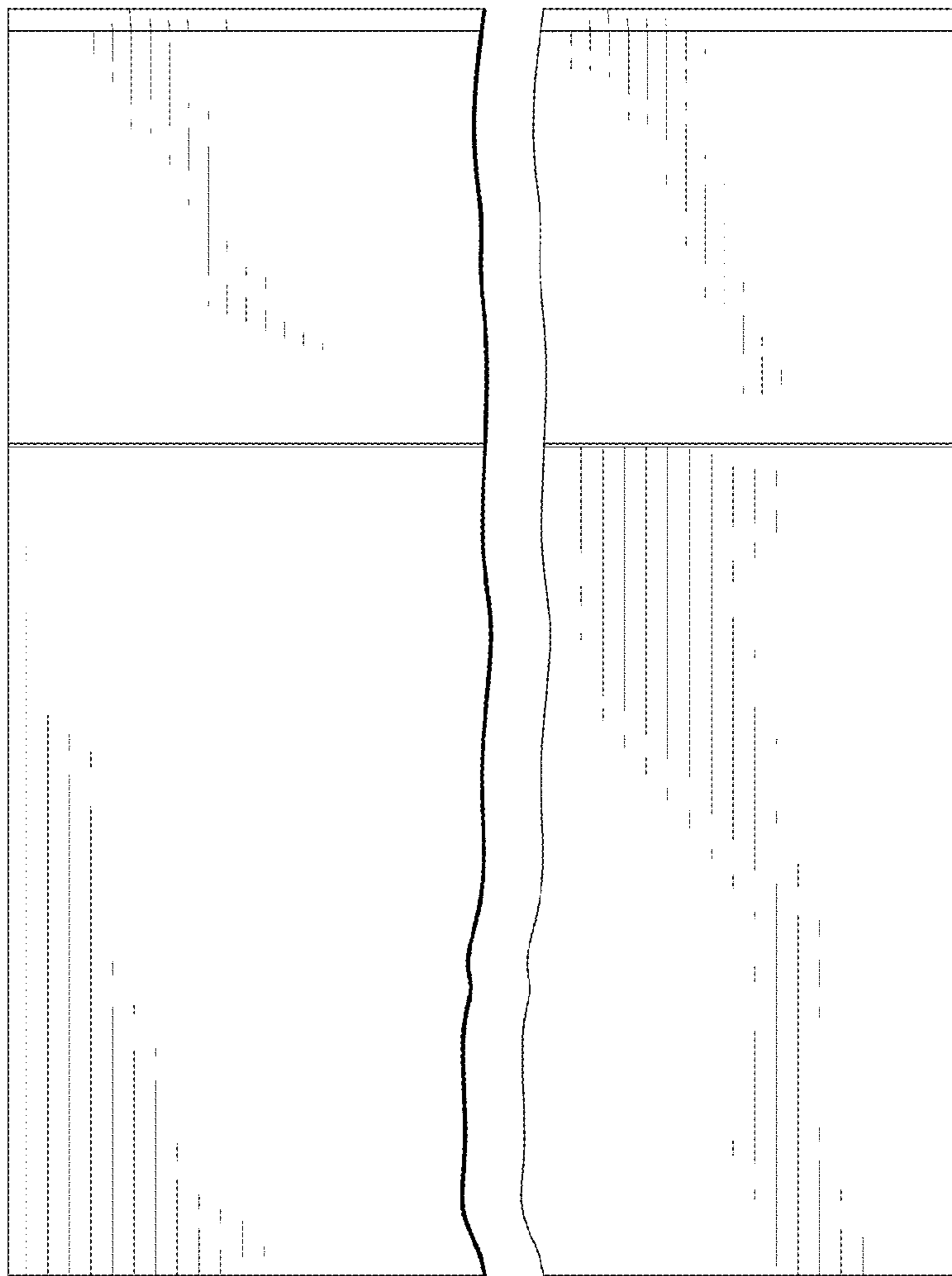


FIG. 3

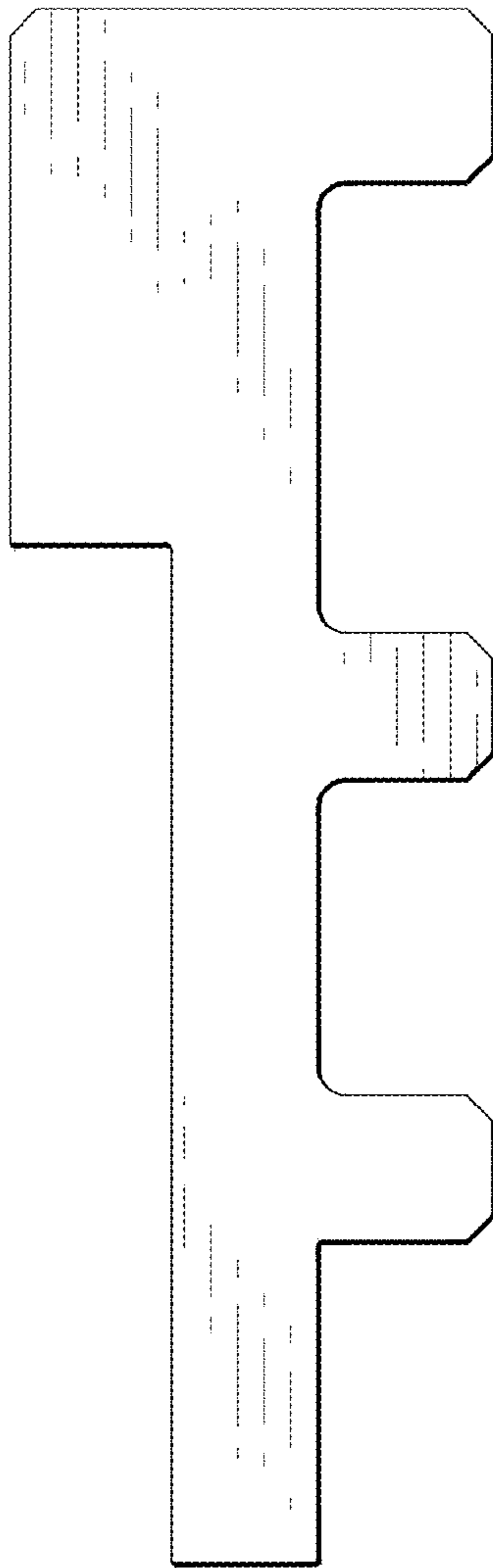


FIG. 4

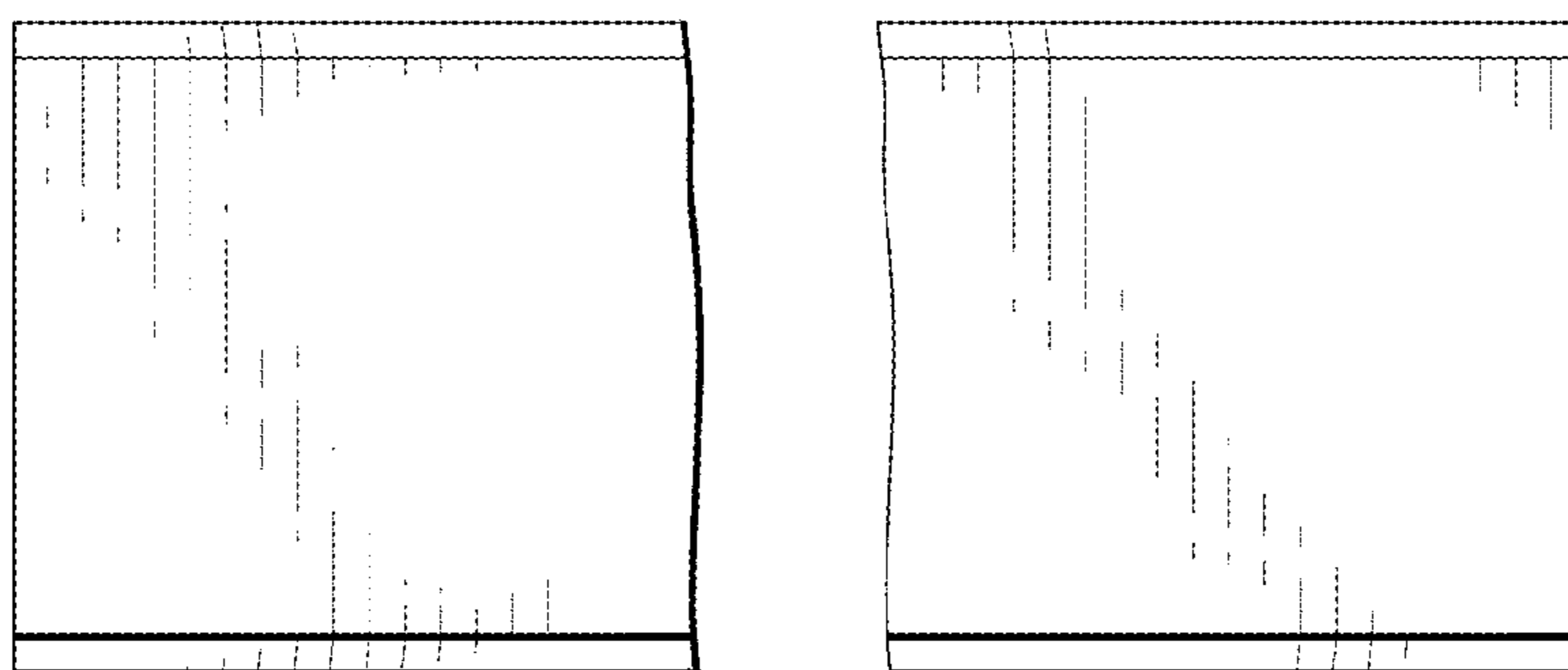


FIG. 5

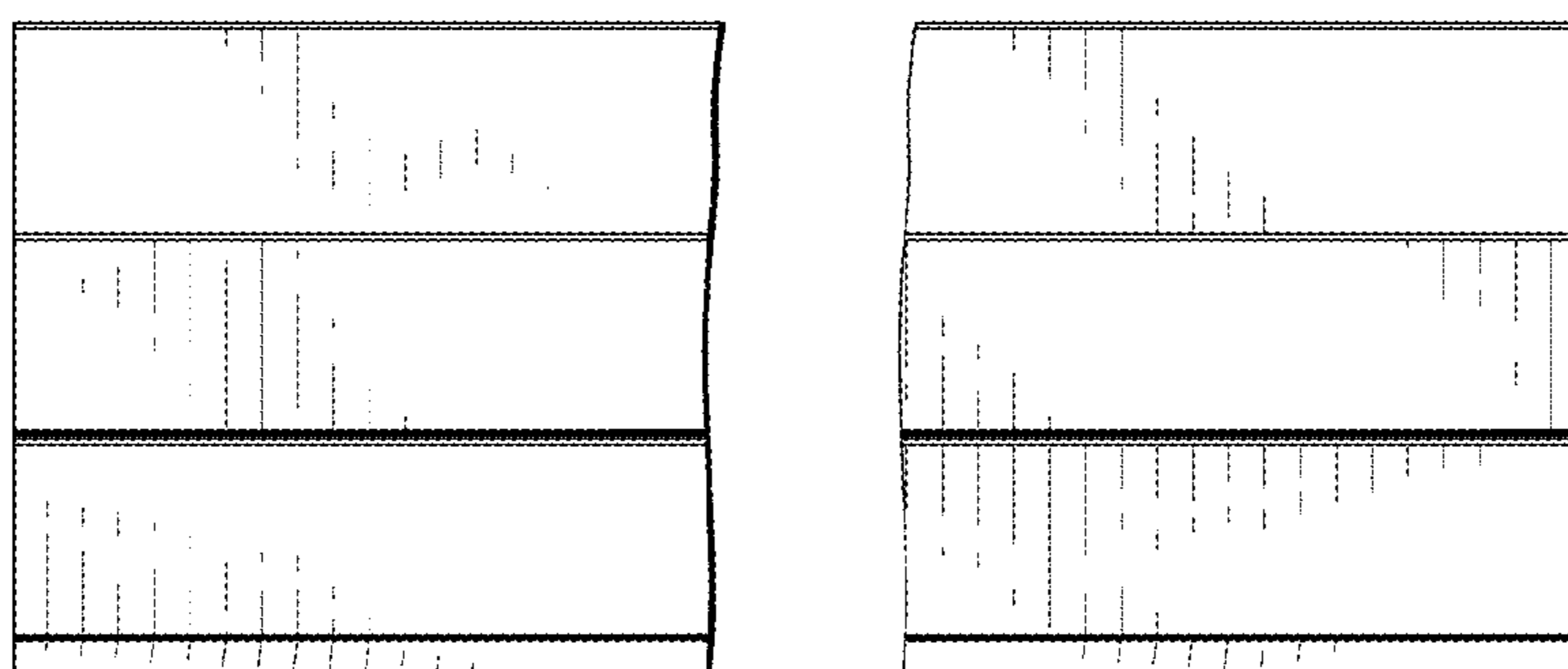


FIG. 6