



US00D753846S

(12) **United States Design Patent**
Walsh

(10) **Patent No.:** **US D753,846 S**
(45) **Date of Patent:** **** Apr. 12, 2016**

(54) **LITE FOR DOORS AND ENTRYWAYS**

(71) Applicant: **Masonite Corporation**, Tampa, FL (US)

(72) Inventor: **Jason Walsh**, Batavia, IL (US)

(73) Assignee: **Masonite Corporation**, Tampa, FL (US)

(**) Term: **14 Years**

(21) Appl. No.: **29/491,968**

(22) Filed: **May 27, 2014**

Related U.S. Application Data

(62) Division of application No. 29/434,039, filed on Oct. 9, 2012, now Pat. No. Des. 705,950, which is a division of application No. 29/409,476, filed on Dec. 23, 2011, now Pat. No. Des. 668,791.

(51) **LOC (10) Cl.** **25-01**

(52) **U.S. Cl.**
USPC **D25/111**

(58) **Field of Classification Search**
USPC D25/110, 111, 103
CPC E06B 5/00; E06B 5/10; E06B 3/7001;
E06B 11/02; E06B 3/70; E06B 3/72; E06B
7/30; E06B 7/00; B44C 3/12; B44C 3/123;
B44C 3/126; B44C 5/0407

See application file for complete search history.

(56) **References Cited**

U.S. PATENT DOCUMENTS

286,434 A 10/1883 Herzog
D37,803 S * 1/1906 Shuman D25/111
D41,286 S 4/1911 McQuinn

1,612,054 A 12/1926 Rez
1,678,439 A 7/1928 Le Roy
2,450,127 A * 9/1948 Gardener B44C 3/123
273/157 R
4,619,850 A 10/1986 Charlton
D336,139 S 6/1993 Wilkening et al.
D402,047 S 12/1998 Sadovenko
6,185,883 B1 2/2001 Howard
D478,674 S 8/2003 Lamberts
D482,132 S 11/2003 Alexander
D488,565 S 4/2004 Bresciani
6,736,534 B1 5/2004 Fite
D490,909 S 6/2004 Barnard
D559,409 S 1/2008 McCarthy
D627,083 S 11/2010 Walsh et al.
D668,790 S 10/2012 Walsh
D668,791 S 10/2012 Walsh
D694,430 S 11/2013 Walsh
D705,950 S 5/2014 Walsh
2006/0000173 A1 1/2006 Edstrom
2006/0046017 A1 3/2006 Adickes

* cited by examiner

Primary Examiner — Doris Clark

(74) *Attorney, Agent, or Firm* — Berenato & White, LLC

(57) **CLAIM**

The ornamental design for a lite for doors and entryways, as shown and described.

DESCRIPTION

FIG. 1 is a front elevational view of my design;
FIG. 2 is a front elevational view of a second embodiment;
FIG. 3 is a front elevational view of a third embodiment; and,
FIG. 4 is a front elevational view of a fourth embodiment.
The rear elevational view of each of FIGS. 1-4 is a mirror image thereof.

1 Claim, 4 Drawing Sheets

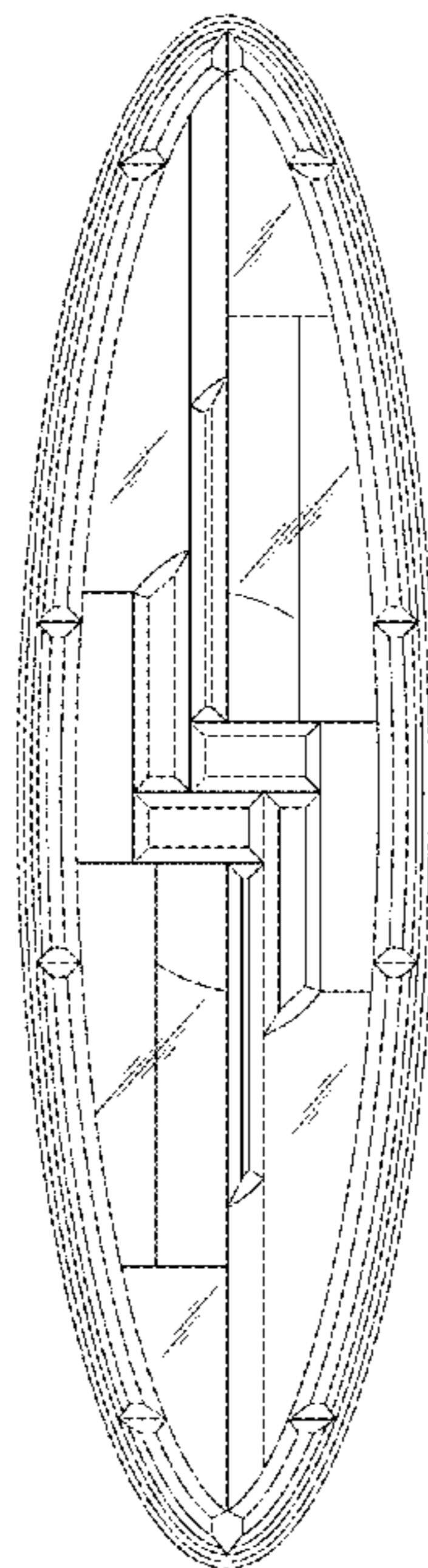


Fig. 1

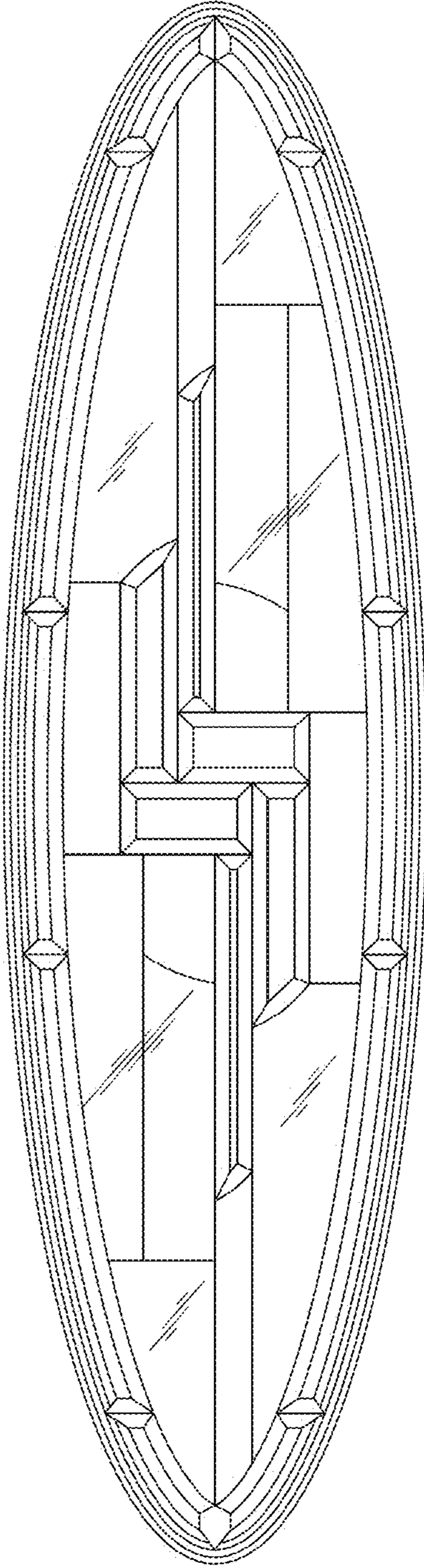


Fig. 2

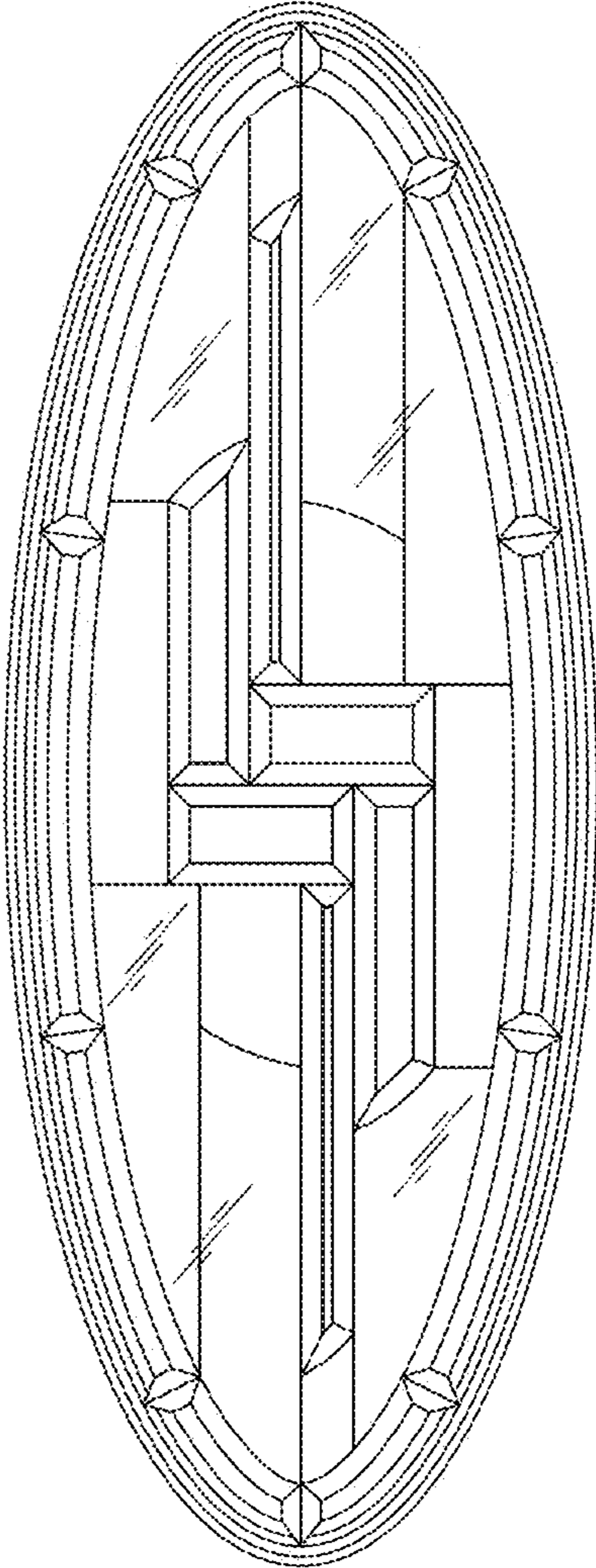


Fig. 3

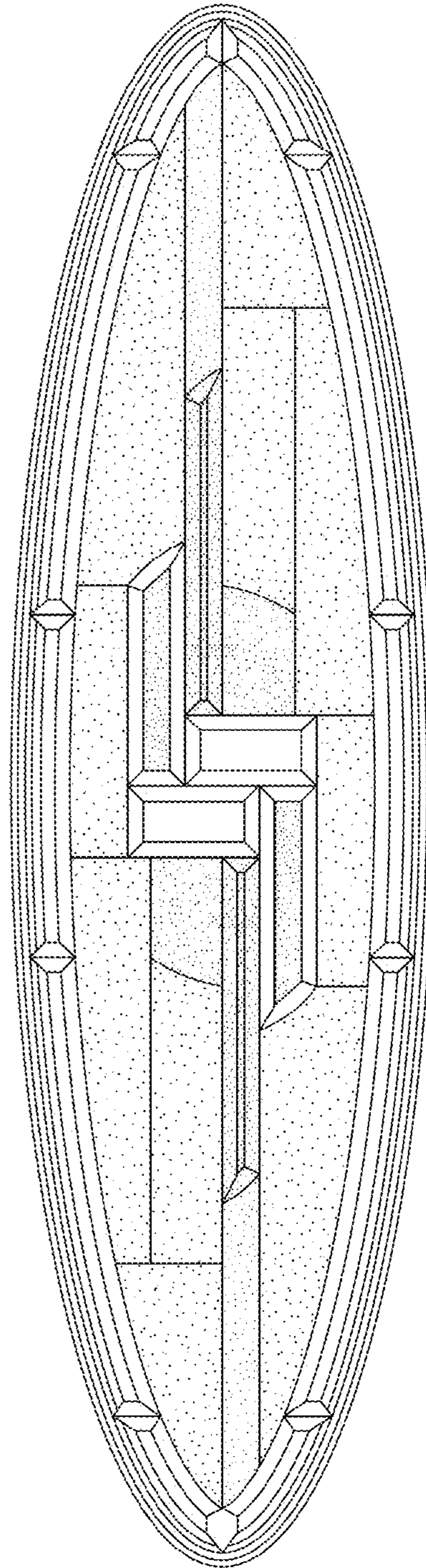


Fig. 4

