



US00D753843S

(12) **United States Design Patent**  
**Hoskinson et al.**

(10) **Patent No.:** **US D753,843 S**

(45) **Date of Patent:** **\*\* \*Apr. 12, 2016**

(54) **TRANSITION STRIP CORNER STRUCTURE**

(71) Applicants: **Jonathan Lee Hoskinson**, Ronan, MT (US); **Louise Anne Hoskinson**, Ronan, MT (US)

(72) Inventors: **Jonathan Lee Hoskinson**, Ronan, MT (US); **Louise Anne Hoskinson**, Ronan, MT (US)

(\*) Notice: This patent is subject to a terminal disclaimer.

(\*\*) Term: **14 Years**

(21) Appl. No.: **29/443,898**

(22) Filed: **Jan. 23, 2013**

(51) **LOC (10) Cl.** ..... **25-02**

(52) **U.S. Cl.**  
USPC ..... **D25/55**

(58) **Field of Classification Search**  
USPC ..... D25/55; D6/300; 52/717.01, 656.9, 52/658, 657, 255; 403/231, 286, 300  
CPC .. A47G 1/10; E06B 7/2301; Y10T 403/4602; Y10T 403/555; Y10T 403/725; E04B 2001/6195; E04B 2001/6191  
See application file for complete search history.

(56) **References Cited**

**U.S. PATENT DOCUMENTS**

1,064,450 A 6/1913 Davison  
1,870,132 A \* 8/1932 Miller ..... E06B 3/984  
403/231  
D275,251 S 8/1984 Buchanan

D400,080 S 10/1998 Beard, Jr.  
D409,078 S 5/1999 Bolt  
D463,574 S \* 9/2002 Yoder ..... D25/136  
D605,366 S 12/2009 Westerman et al.  
D700,359 S \* 2/2014 Elizarraras ..... D25/55  
2003/0041542 A1 3/2003 Martin  
2004/0009031 A1\* 1/2004 Frank ..... A47F 3/004  
403/231  
2010/0192508 A1\* 8/2010 Subra ..... E06B 3/9616  
52/656.9  
2010/0218444 A1\* 9/2010 Wambaugh ..... E04F 19/022  
52/255

\* cited by examiner

*Primary Examiner* — Doris Clark

(74) *Attorney, Agent, or Firm* — Ash Tankha; Lipton, Weinberger & Husick

(57) **CLAIM**

The ornamental design for a transition strip corner structure, as shown and described.

**DESCRIPTION**

FIG. 1 is a front isometric view of an ornamental design for a transition strip corner structure configured to perpendicularly align and cover the ends of two transition strips on a base surface;

FIG. 2 is a rear perspective view thereof;

FIG. 3 is a front elevation view thereof;

FIG. 4 is a rear elevation view thereof;

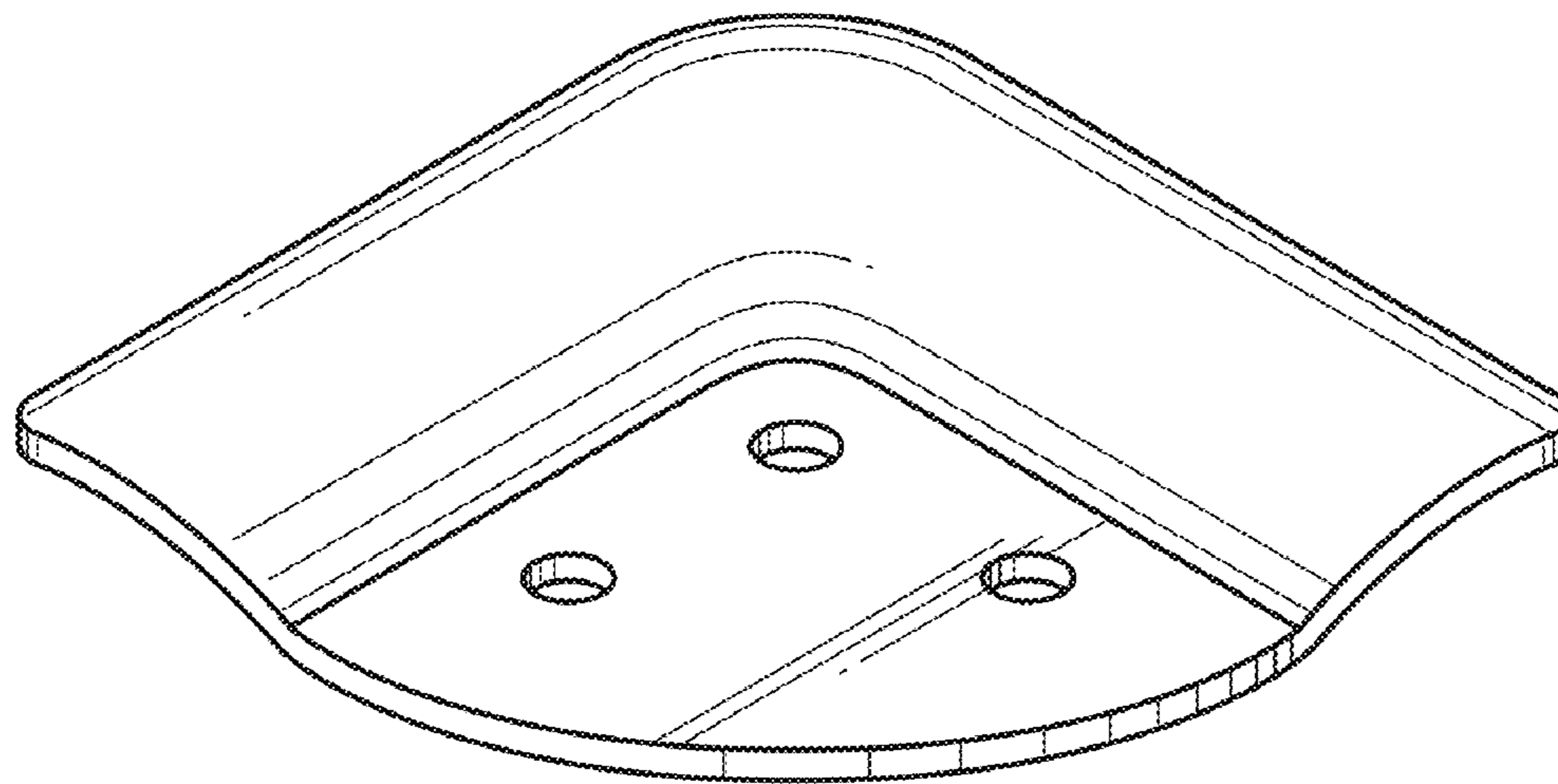
FIG. 5 is a top plan view thereof;

FIG. 6 is a bottom view thereof;

FIG. 7 is a right side elevation view thereof; and,

FIG. 8 is a left side elevation view thereof.

**1 Claim, 6 Drawing Sheets**



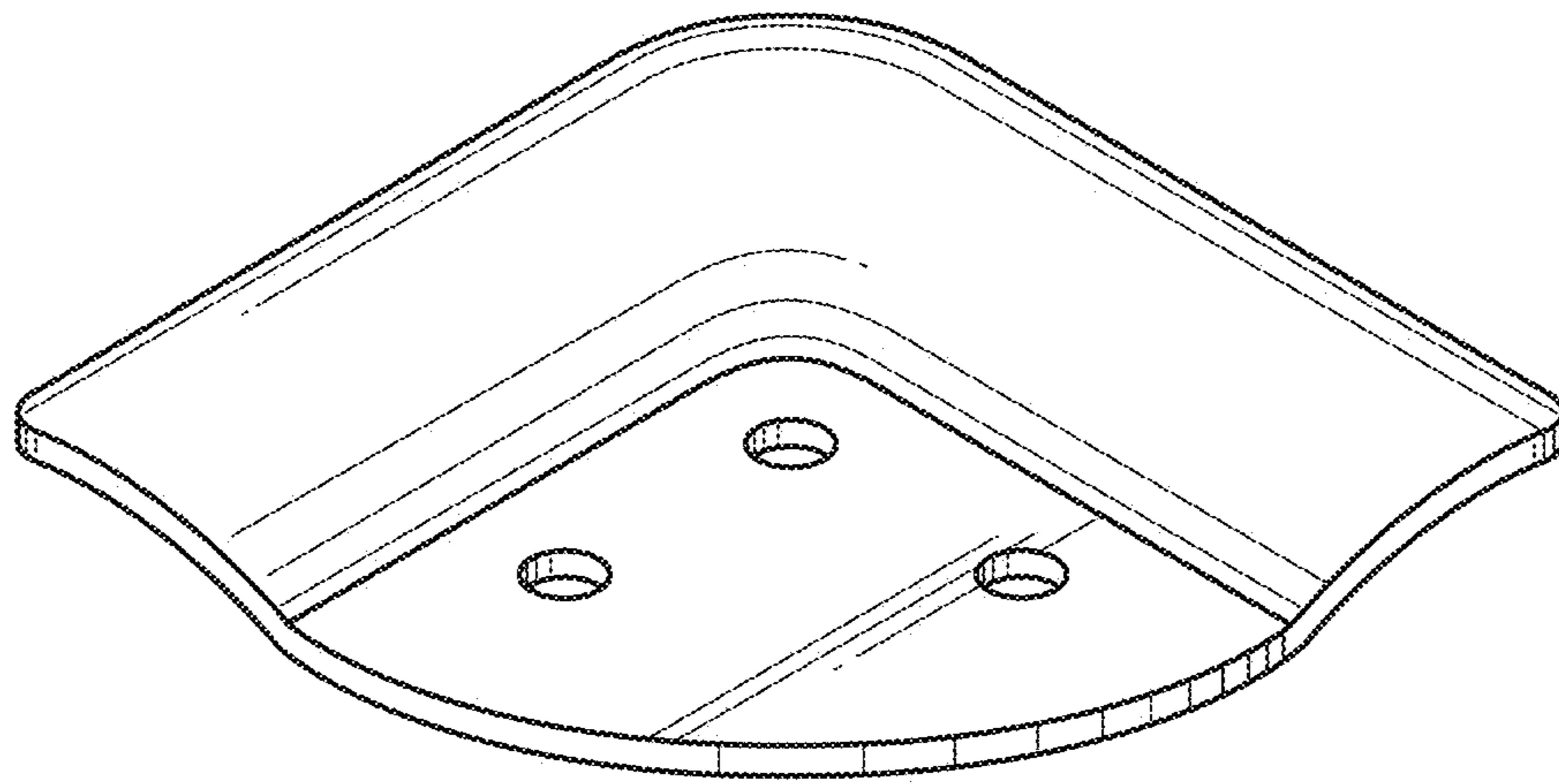


FIG. 1

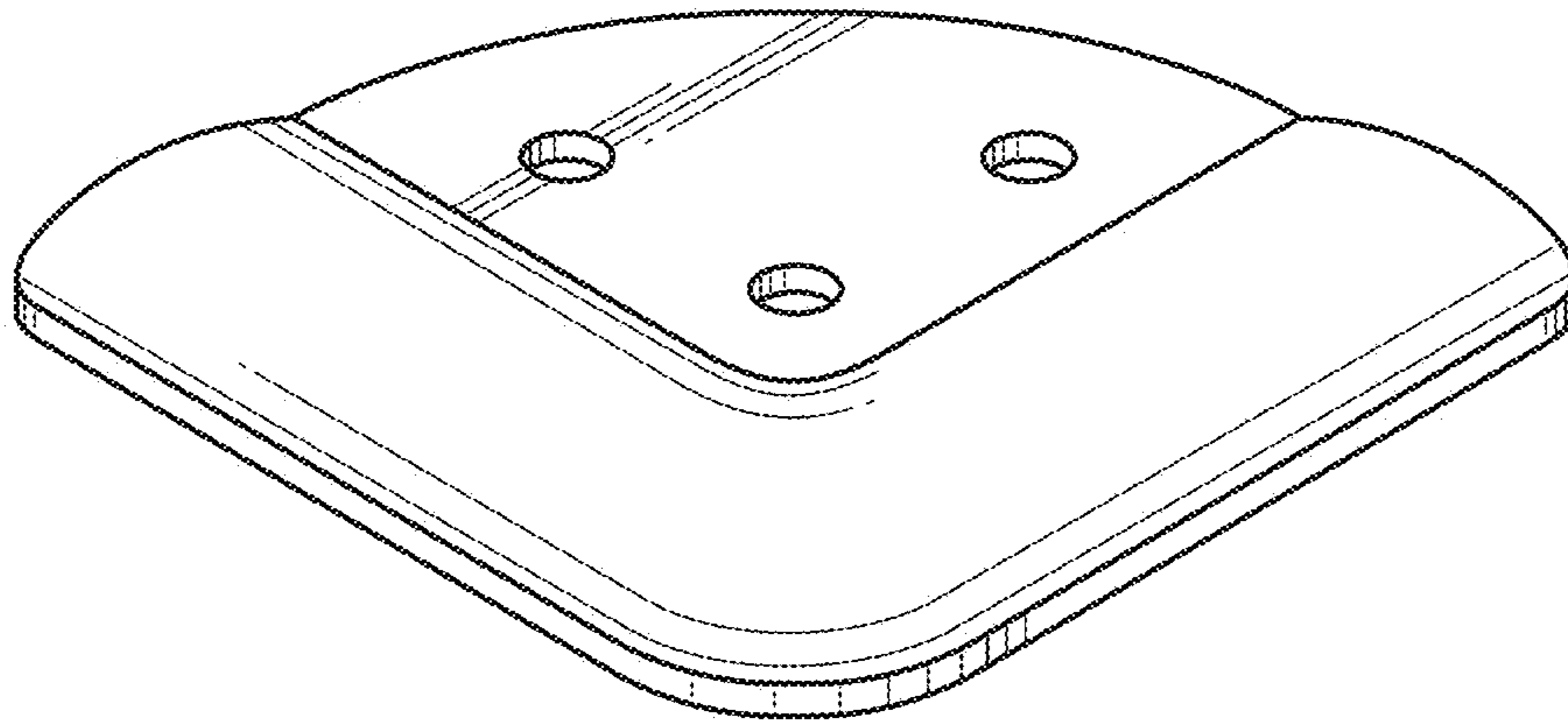


FIG. 2

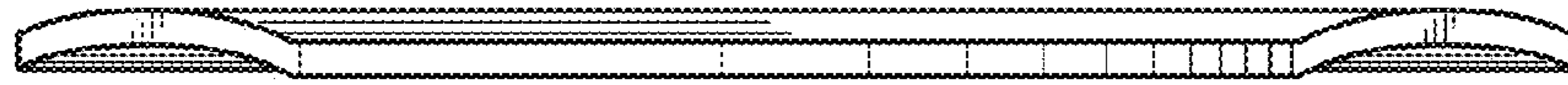


FIG. 3



FIG. 4

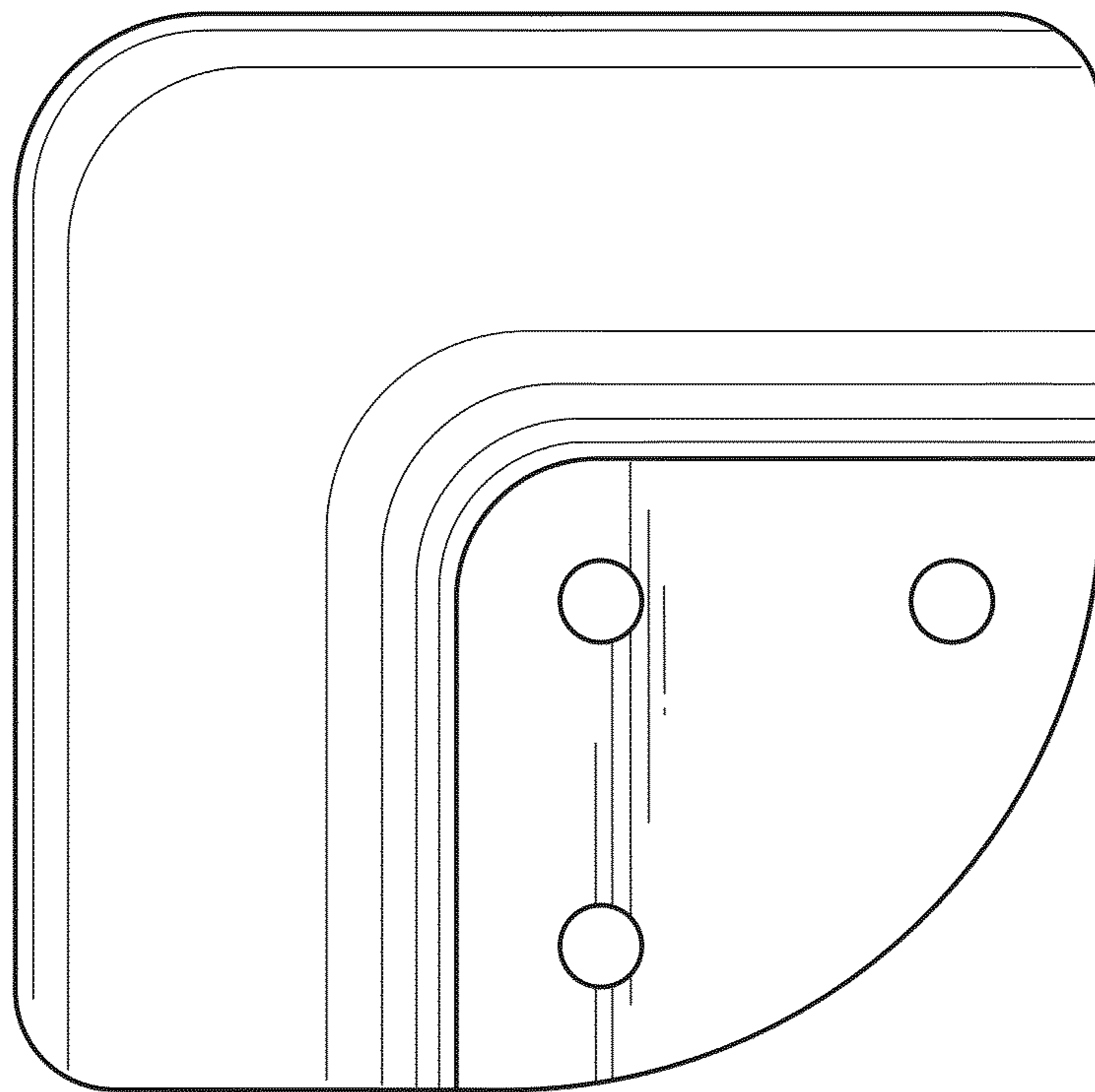


FIG. 5

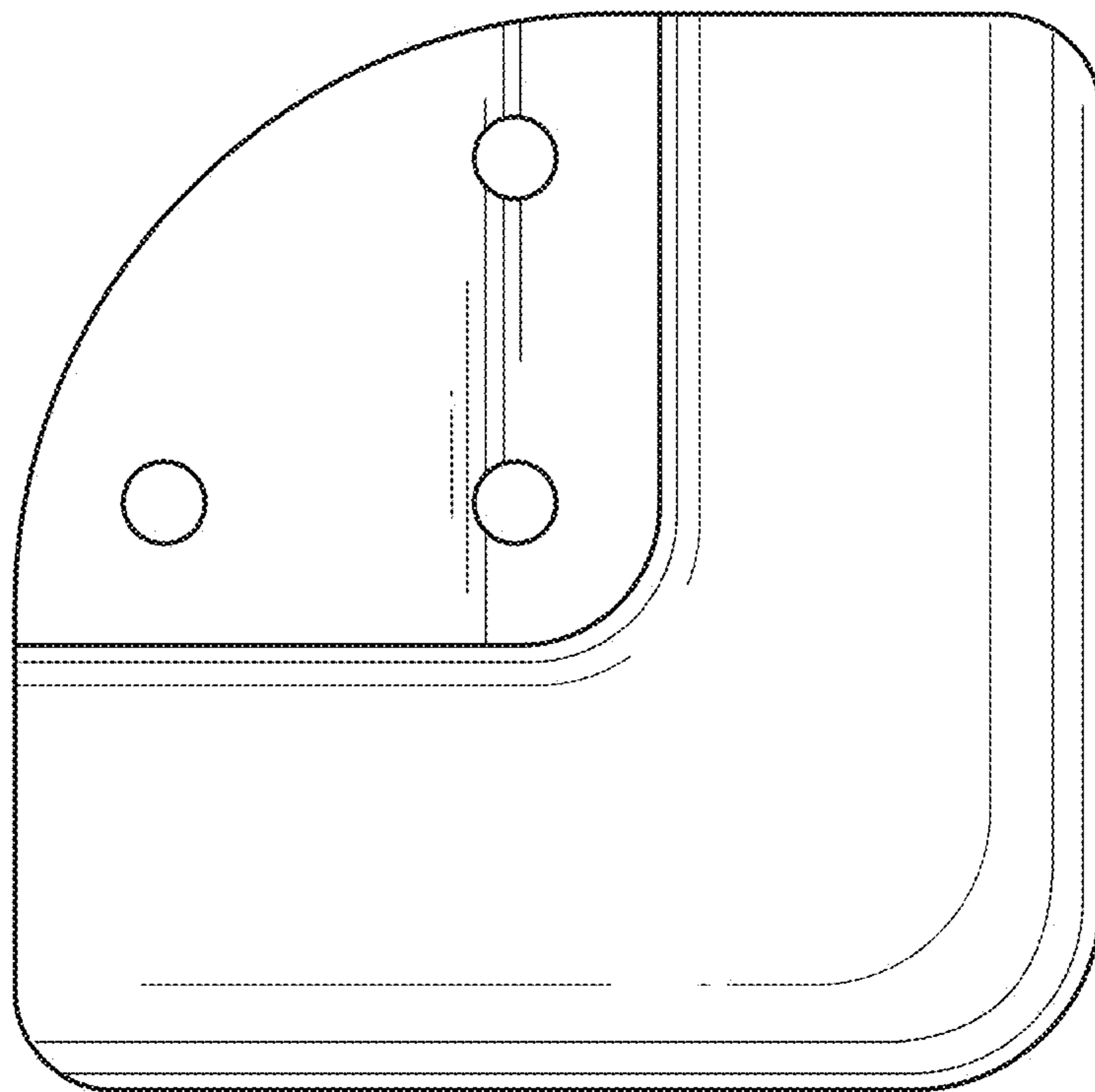


FIG. 6



FIG. 7

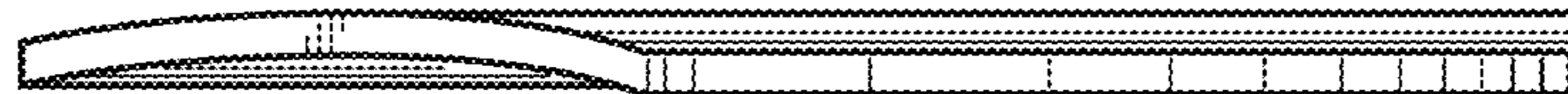


FIG. 8