



US00D753841S

(12) **United States Design Patent**  
**Paxton et al.**

(10) **Patent No.:** **US D753,841 S**  
(45) **Date of Patent:** **\*\* Apr. 12, 2016**

- (54) **DOOR FACING**
- (71) Applicant: **Masonite Corporation**, Tampa, FL (US)
- (72) Inventors: **David Paxton**, Doncaster (GB); **Jon Walker**, Heckmondwike (GB)
- (73) Assignee: **Masonite Corporation**, Tampa, FL (US)
- (\*\*) Term: **14 Years**
- (21) Appl. No.: **29/490,050**
- (22) Filed: **May 6, 2014**

- D587,815 S 3/2009 Steiber et al.
- D597,681 S 8/2009 Amato
- D600,819 S 9/2009 Walsh et al.
- D616,109 S 5/2010 Steiber et al.

**OTHER PUBLICATIONS**

Hague, International Registration No. DM/072025, "Door Panels", published Aug. 31, 2009.  
Artevi, published in 2010, <http://www.construnario.com/catalogo/puertas-artevi-sa/productos>.

\* cited by examiner

*Primary Examiner* — Doris Clark

(74) *Attorney, Agent, or Firm* — Berenato & White, LLC

**Related U.S. Application Data**

- (63) Continuation of application No. 29/462,019, filed on Jul. 30, 2013, now Pat. No. Des. 704,351, which is a continuation of application No. 29/412,376, filed on Feb. 2, 2012, now Pat. No. Des. 687,163.

(51) **LOC (10) Cl.** ..... **25-02**

(52) **U.S. Cl.**  
USPC ..... **D25/48.3**

(58) **Field of Classification Search**  
USPC ..... D25/48.3  
CPC ..... E06B 3/7001; E06B 3/7015; E06B 3/70;  
E06B 3/72

See application file for complete search history.

(56) **References Cited**

**U.S. PATENT DOCUMENTS**

- 670,939 A \* 4/1901 Rapp ..... E06B 3/7001  
52/713
- 1,183,842 A 5/1916 Alling
- D212,466 S \* 10/1968 Esteban y Bartolome  
et al. .... D25/48.3
- 5,548,928 A \* 8/1996 Chen ..... E05D 5/0223  
16/386
- D529,625 S 10/2006 Walsh et al.

(57) **CLAIM**

The ornamental design for a door facing, as shown and described.

**DESCRIPTION**

FIG. 1 is a front perspective view of our design;  
FIG. 2 is a front elevational view;  
FIG. 3 is a rear elevational view;  
FIG. 4 is a top plan view;  
FIG. 5 is a bottom plan view;  
FIG. 6 is a cross-sectional view taken along the line 6-6 of FIG. 2;  
FIG. 7 is an exploded fragmentary view of FIG. 6;  
FIG. 8 is a left side elevational view;  
FIG. 9 is a right side elevational view; and,  
FIG. 10 is a cross-sectional view elevational view taken along the line 10-10 of FIG. 2.

The broken lines which define the bounds of the claimed design and unclaimed subject matter form no part of the claimed design.

**1 Claim, 5 Drawing Sheets**

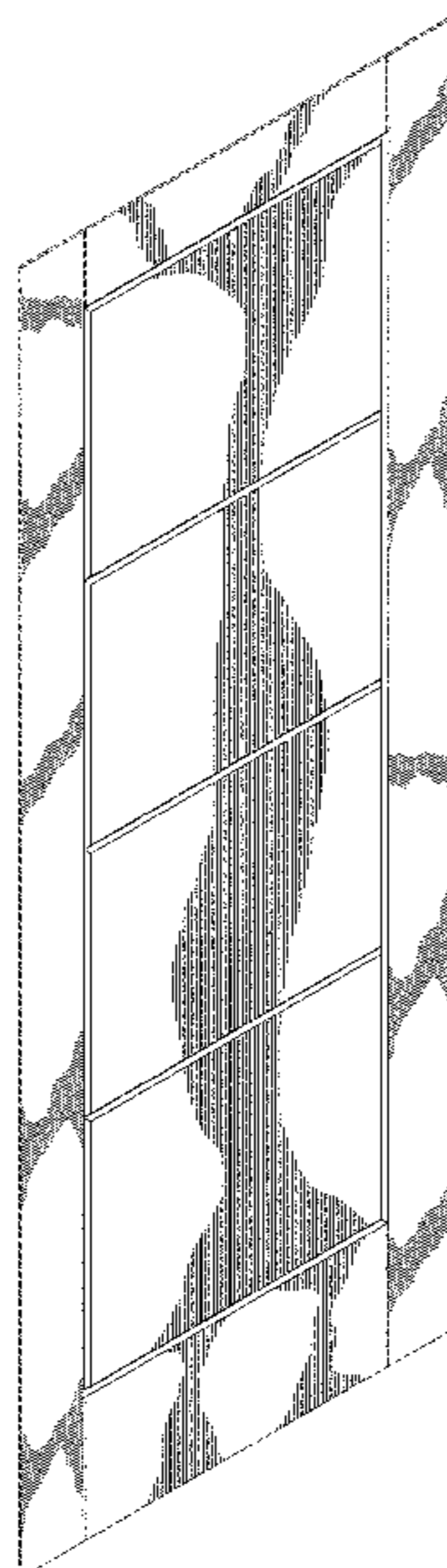


Fig. 1

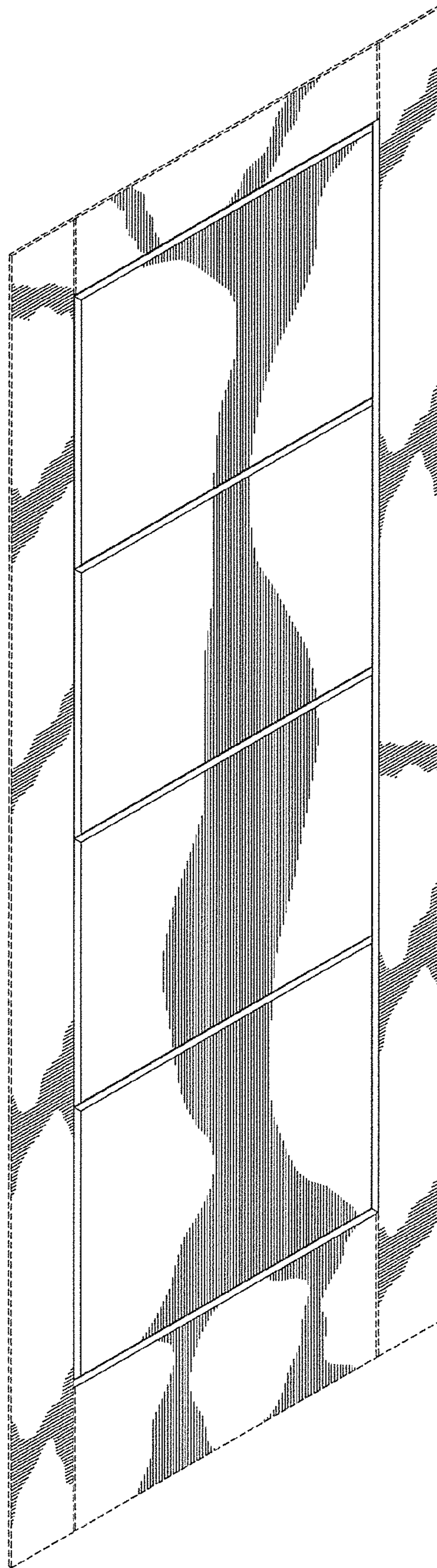


Fig. 2

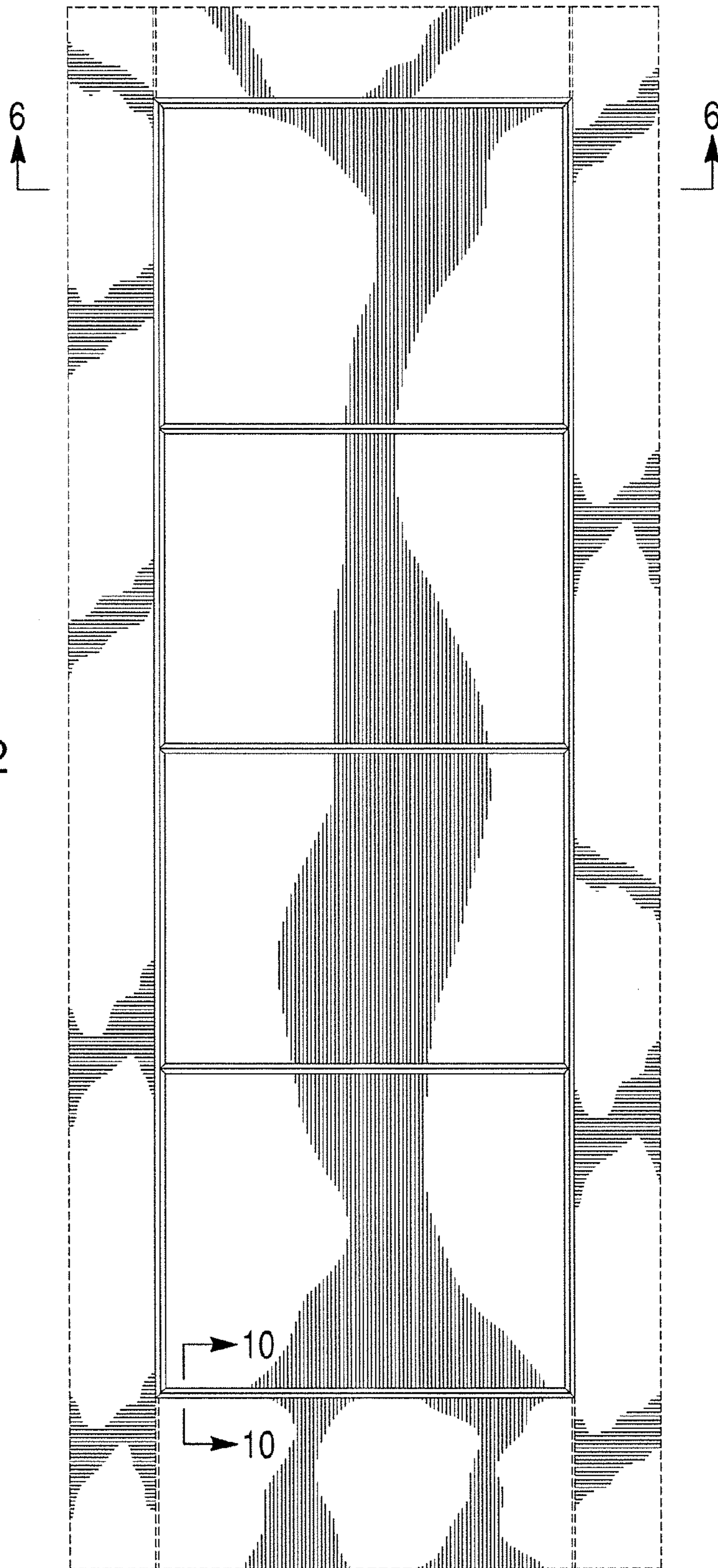


Fig. 3

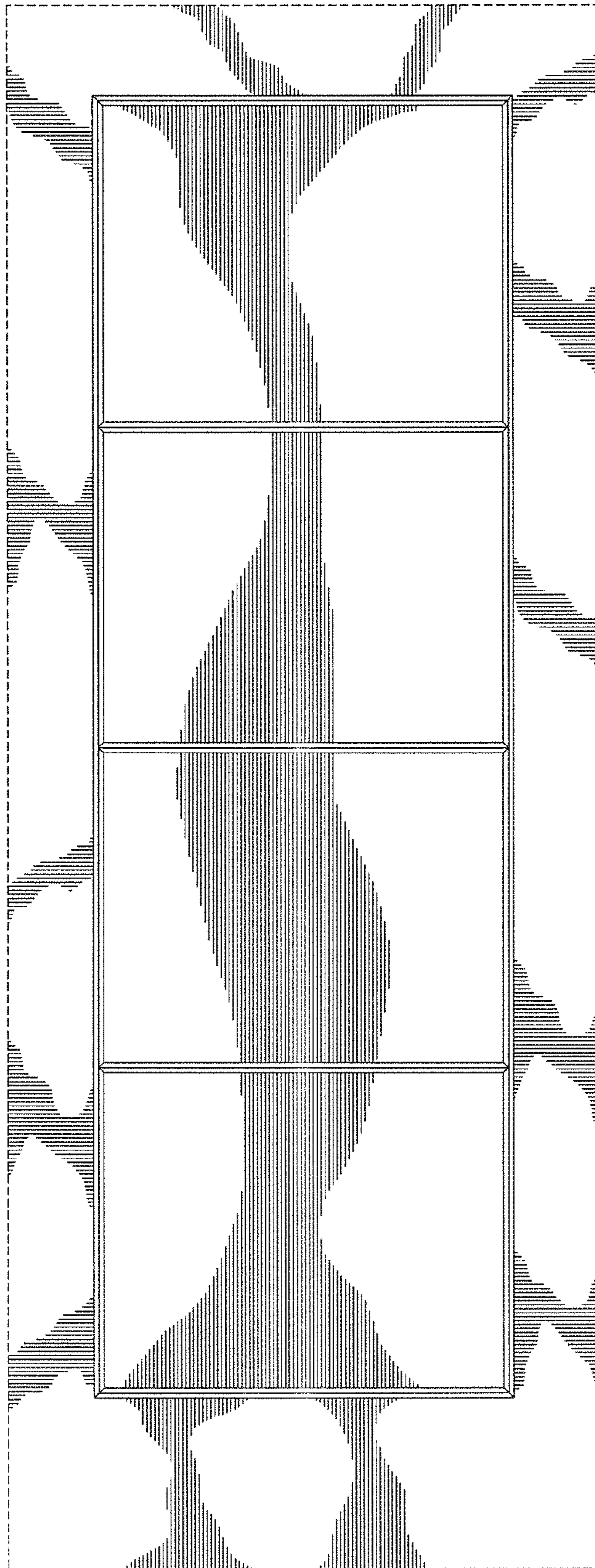


Fig. 4

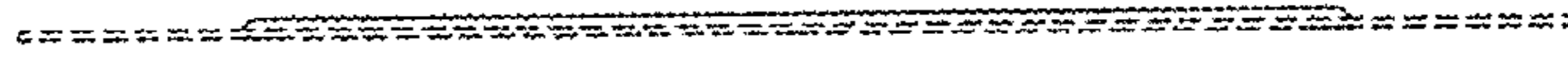


Fig. 5

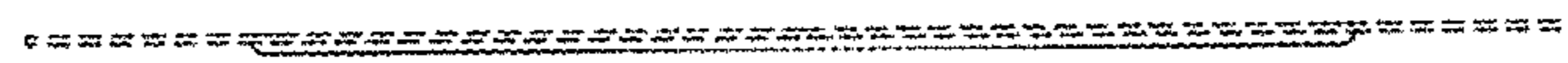


Fig. 6

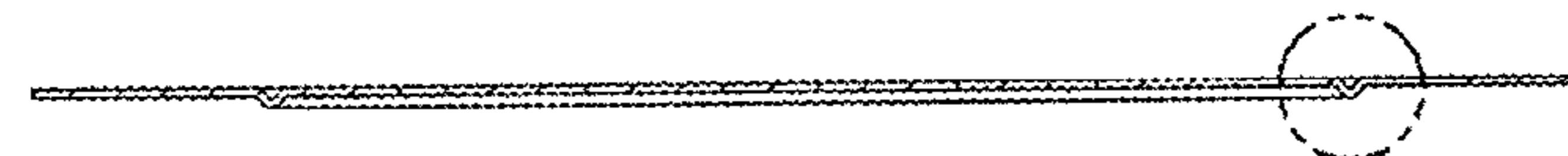


Fig. 7

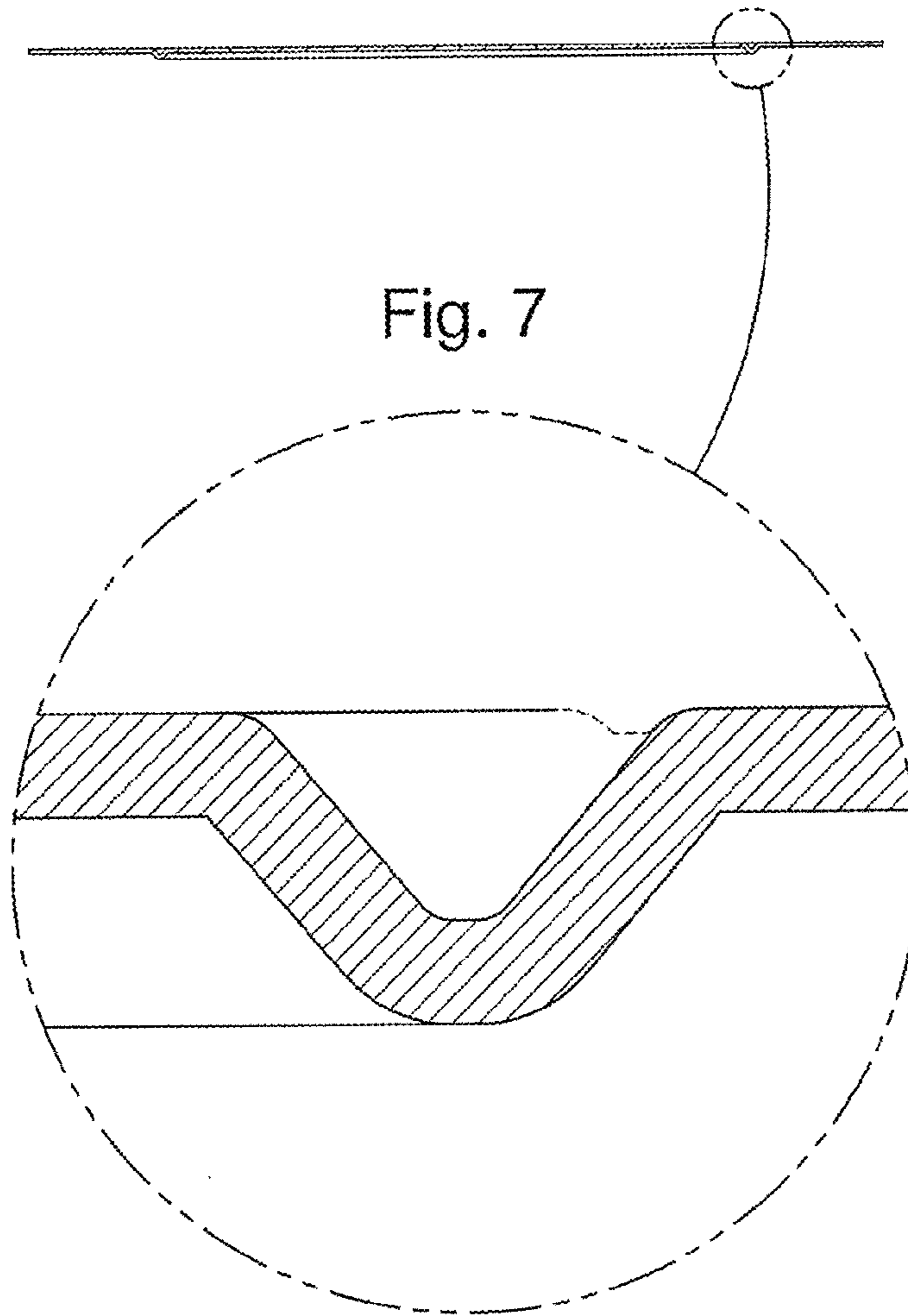


Fig. 8

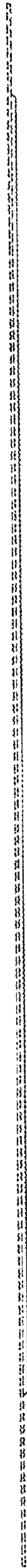


Fig. 9

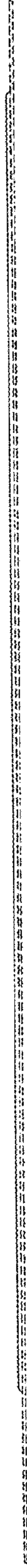


Fig. 10

