



US00D753838S

(12) **United States Design Patent**
Matsushita

(10) **Patent No.:** **US D753,838 S**
(45) **Date of Patent:** **** Apr. 12, 2016**

(54) **MAGNETIC FORCE ATTENUATOR FOR A
COSMETIC SKIN TREATMENT APPARATUS**

(71) Applicant: **MTG Co., Ltd.**, Nagoya-shi, Aichi-ken
(JP)

(72) Inventor: **Tsuyoshi Matsushita**, Nagoya (JP)

(73) Assignee: **MTG CO., LTD.**, Nagoya-shi, Aichi-ken
(JP)

(**) Term: **15 Years**

(21) Appl. No.: **29/533,808**

(22) Filed: **Jul. 22, 2015**

Related U.S. Application Data

(63) Continuation of application No. 29/452,199, filed on
Apr. 12, 2013.

(30) **Foreign Application Priority Data**

Nov. 2, 2012 (JP) 2012-026756

(51) **LOC (10) Cl.** **24-01**

(52) **U.S. Cl.**
USPC **D24/200**

(58) **Field of Classification Search**
USPC D24/200-213; D7/637, 641
CPC A61N 2/00; A61N 1/328; A61H 9/0021;
A61Q 19/08
See application file for complete search history.

(56) **References Cited**

U.S. PATENT DOCUMENTS

D154,997 S 8/1949 Elser
D177,478 S 4/1956 Marchion
3,254,409 A 6/1966 Gardel et al.
D275,482 S * 9/1984 Coons D13/108
D465,974 S 11/2002 Dorion et al.
D497,292 S 10/2004 Snell

D532,657 S 11/2006 Del Rosario
D579,729 S 11/2008 Pourounidis et al.
D601,258 S * 9/2009 Bell D24/169
D633,348 S 3/2011 Stewart et al.
D652,515 S * 1/2012 Sherwood D24/133
D652,516 S * 1/2012 Sherwood D24/133
D664,298 S * 7/2012 Grabes D24/133
D687,437 S * 8/2013 Hagenauer D14/434
D707,881 S * 6/2014 Zhou D26/138
D736,210 S * 8/2015 Paradise D14/434
2009/0122424 A1 5/2009 Perez
2011/0106067 A1* 5/2011 Geva A45D 34/042
606/9
2012/0009551 A1 1/2012 Pinnisi

OTHER PUBLICATIONS

Fox Run Stoneware Spoon Rest, Amazon, Aug. 22, 2010 [retrieves
Apr. 10, 2015], Retrieved from the Internet: <URL: <http://amzn.com/B003D2QUDS>>.

* cited by examiner

Primary Examiner — Kevin Rudzinski

Assistant Examiner — John Reickel

(74) *Attorney, Agent, or Firm* — Westerman, Hattori,
Daniels & Adrian, LLP

(57) **CLAIM**

The ornamental design for a magnetic force attenuator for a
cosmetic skin treatment apparatus, as shown and described.

DESCRIPTION

FIG. 1 is a front, left side, and top perspective view of a
magnetic force attenuator for a cosmetic skin treatment appa-
ratus showing my new design.

FIG. 2 is a front elevational view thereof.

FIG. 3 is a right side elevational view thereof.

FIG. 4 is a left side elevational view thereof.

FIG. 5 is a top plan view thereof; and,

FIG. 6 is a bottom plan view thereof.

The broken lines illustrate environmental structure that is not
part of the claimed design.

1 Claim, 3 Drawing Sheets

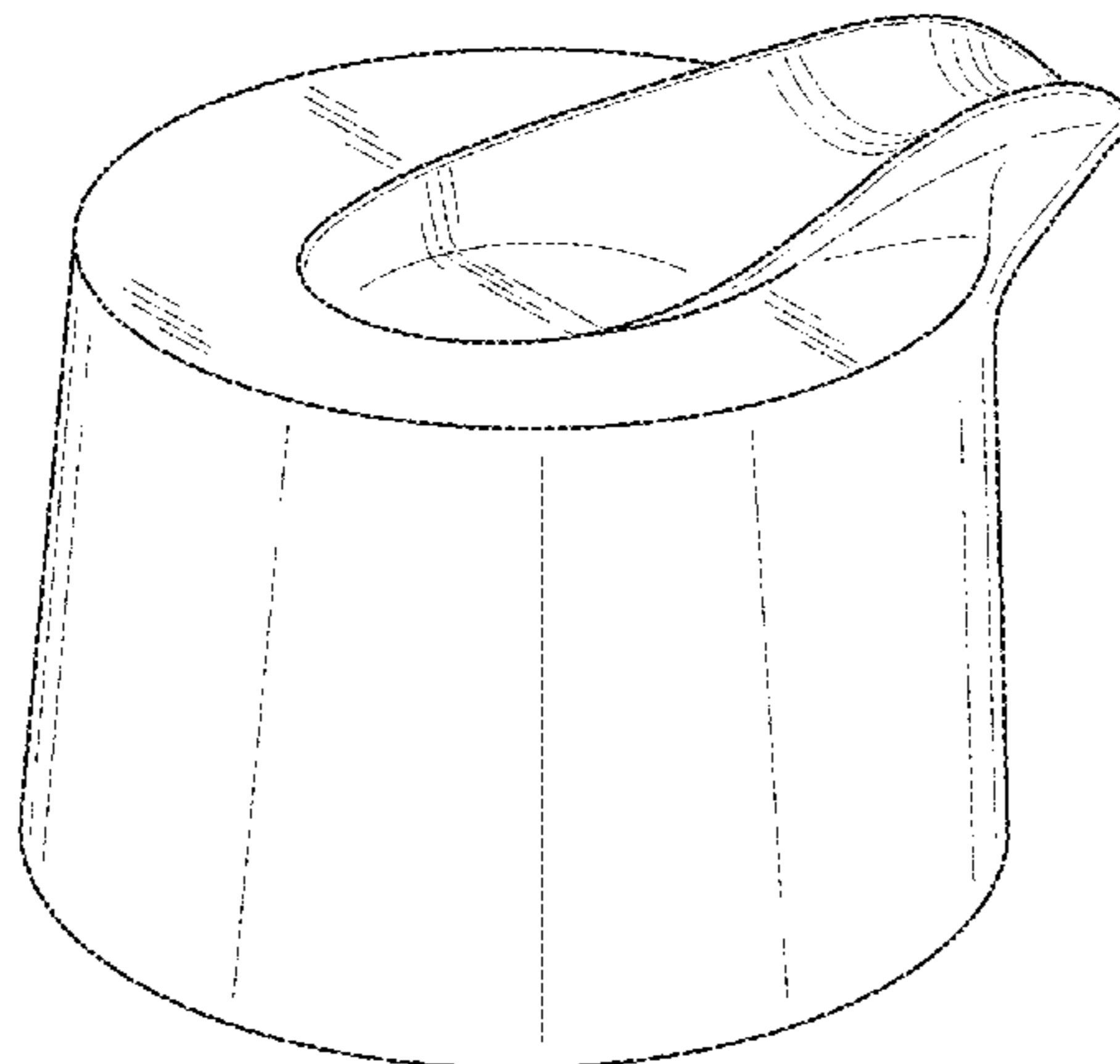


Fig. 1

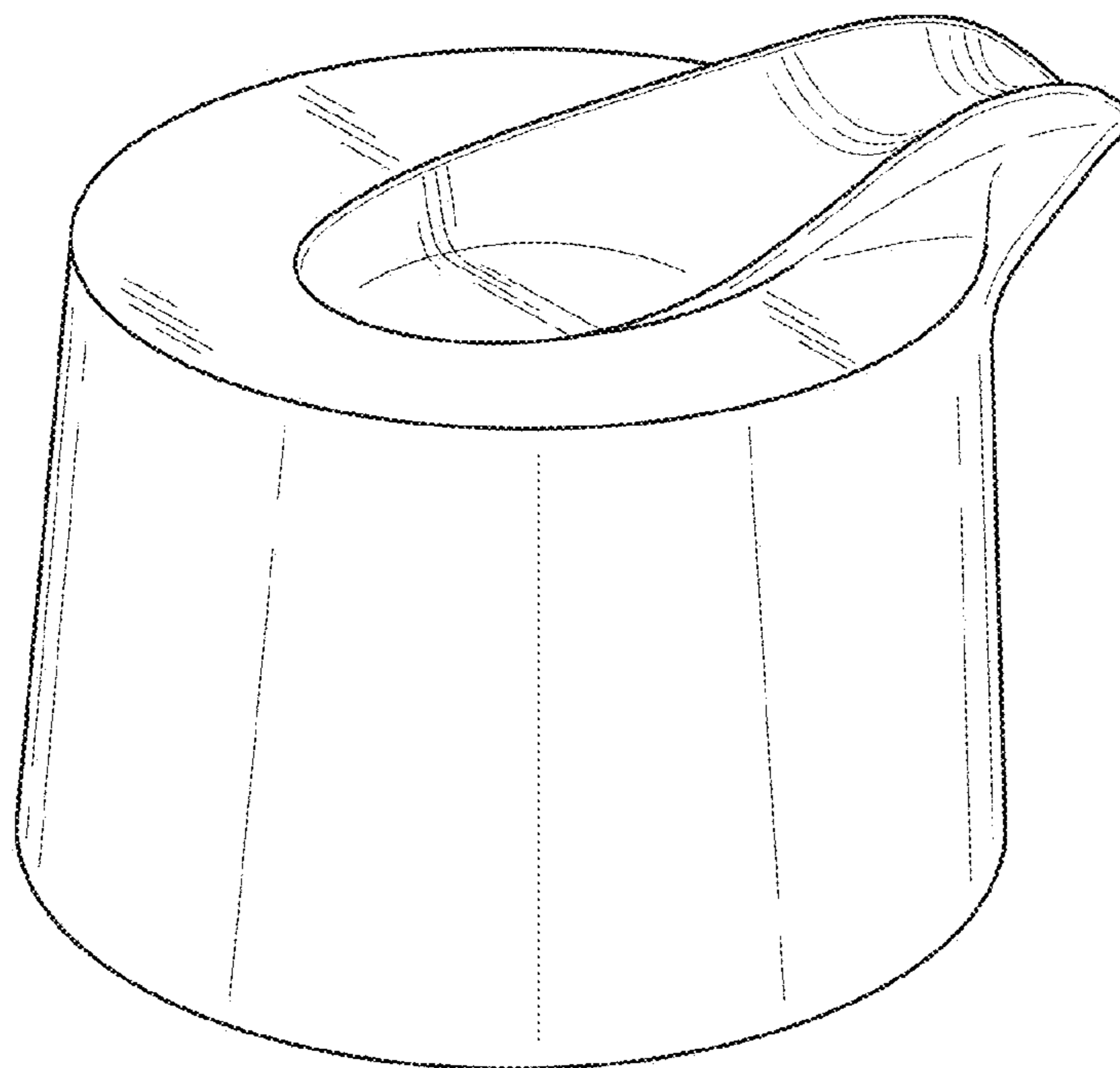


Fig. 2

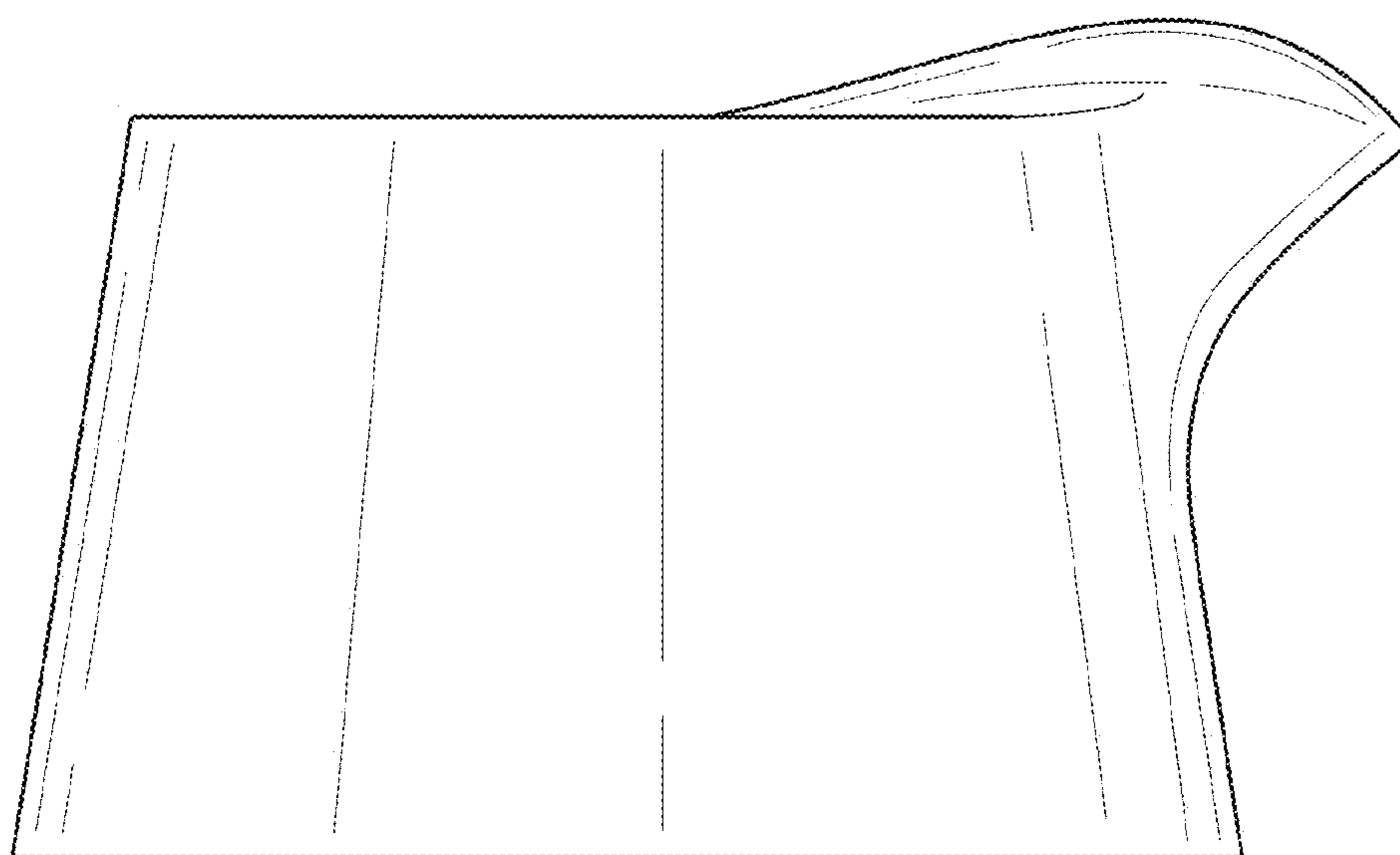


Fig. 3

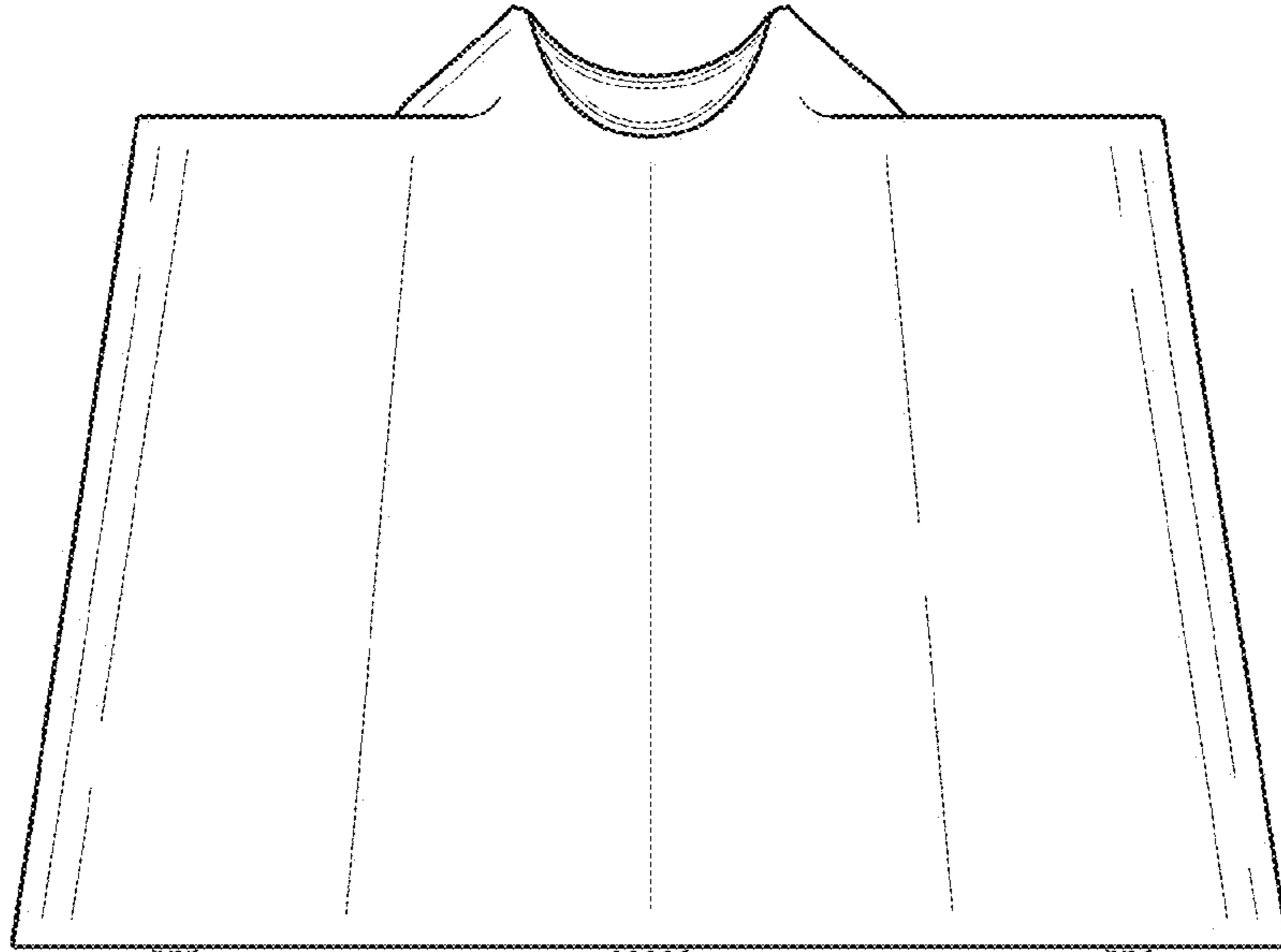


Fig. 4

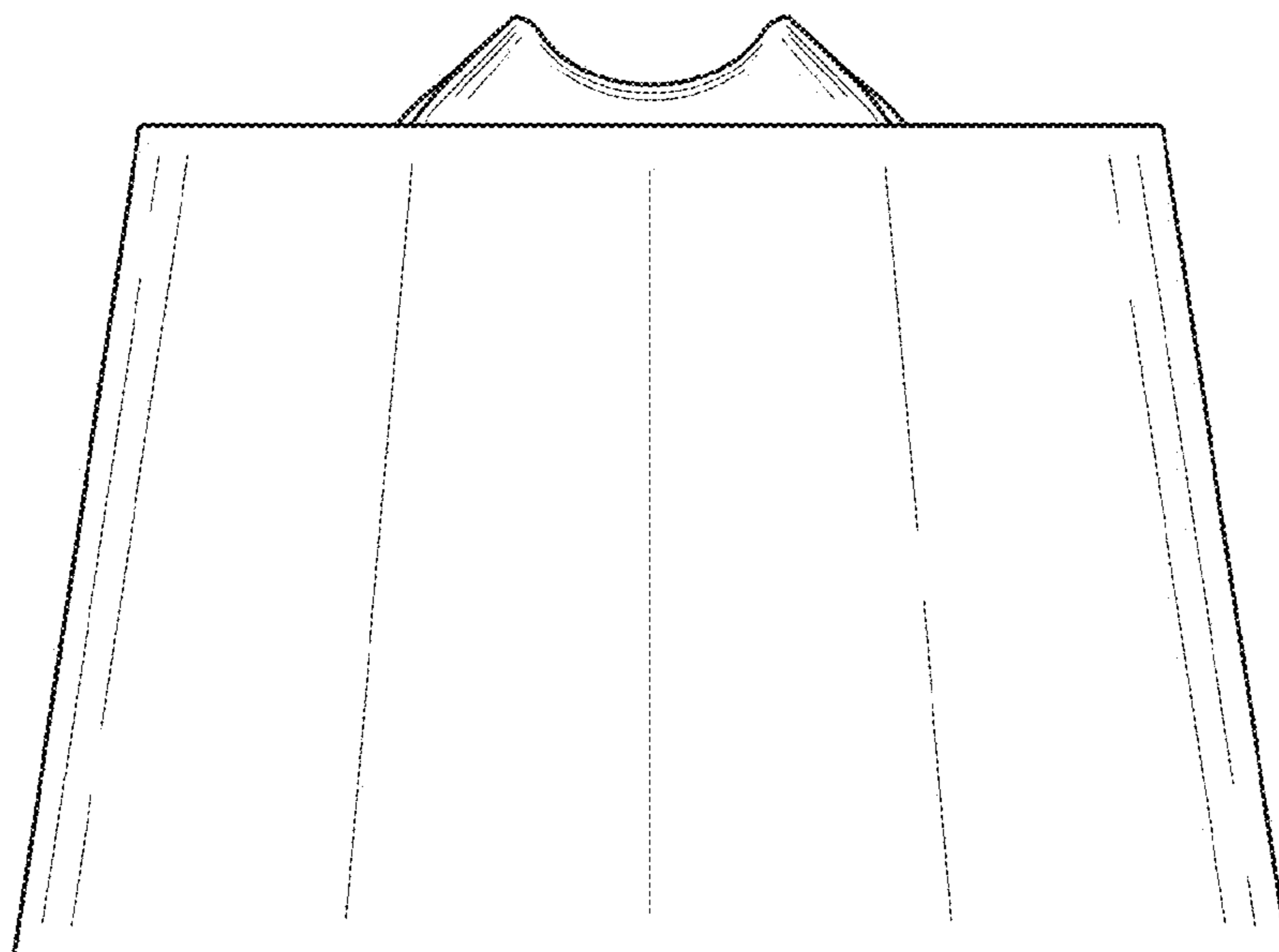


Fig. 5

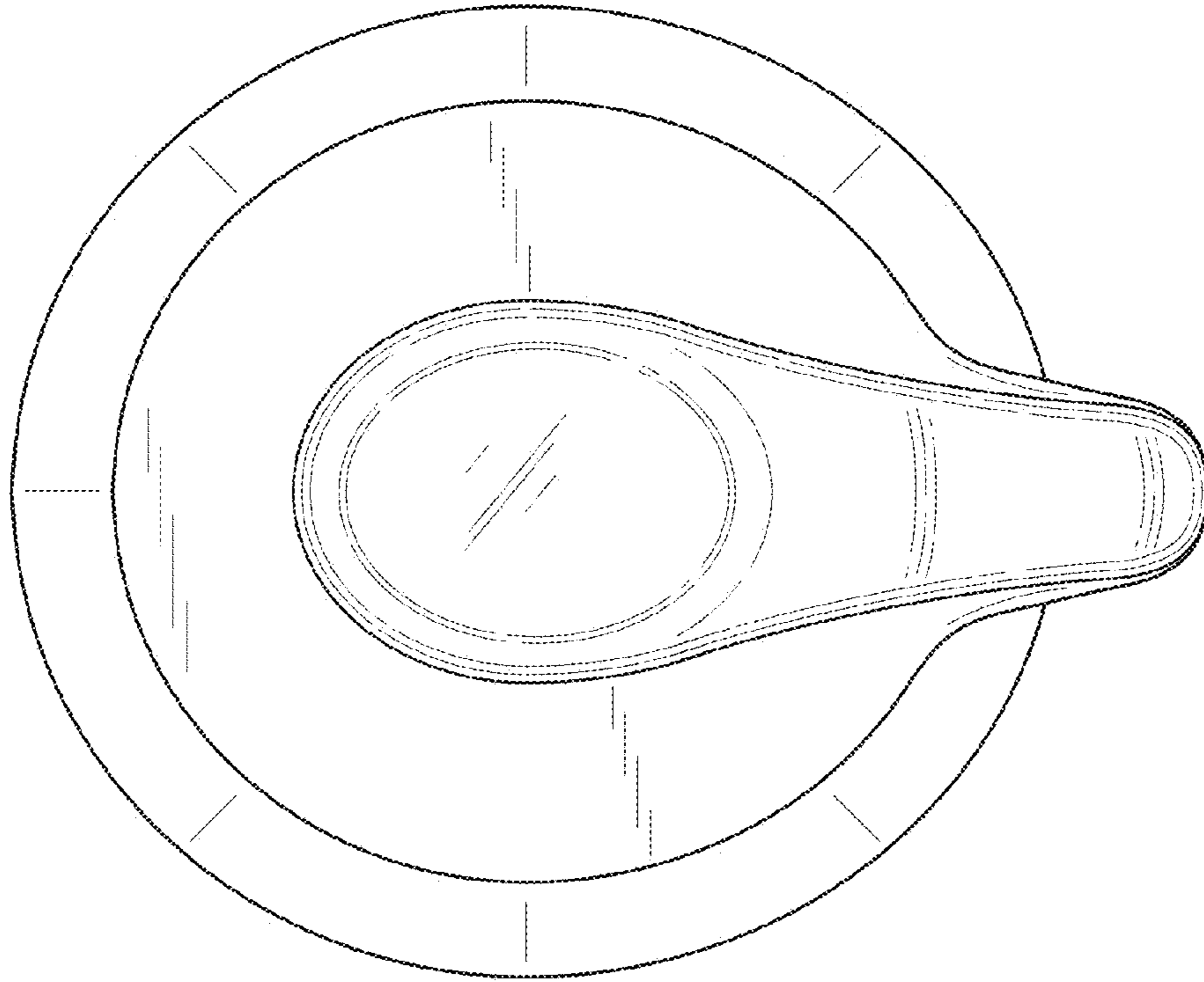


Fig. 6

