



US00D753837S

(12) **United States Design Patent**
Sigurdsson et al.

(10) **Patent No.:** **US D753,837 S**
(45) **Date of Patent:** **** Apr. 12, 2016**

(54) **COMPONENT OF A STRAP DOSING SYSTEM**

(71) Applicant: **OSSUR HF**, Reykjavik (IS)

(72) Inventors: **Sindri Pall Sigurdsson**, Reykjavik (IS);
Janaki Ram-srinivasaRao Chetlapalli,
Irvine, CA (US)

(73) Assignee: **ISSUR HF**, Reykjavik (IS)

(**) Term: **14 Years**

(21) Appl. No.: **29/495,876**

(22) Filed: **Jul. 7, 2014**

6,269,991	B1 *	8/2001	Hood	A45C 13/30 224/258
6,359,203	B1 *	3/2002	Cronos	G10G 5/005 84/280
6,383,156	B1	5/2002	Enzerink et al.	
D475,135	S	5/2003	Howell et al.	
7,198,610	B2	4/2007	Ingimundarson et al.	
7,384,406	B2	6/2008	Enzerink et al.	
7,918,809	B2	4/2011	Enzerink et al.	
7,988,653	B2	8/2011	Fout et al.	
8,231,560	B2	7/2012	Ingimundarson et al.	
8,348,876	B2	1/2013	Ingimundarson et al.	
D699,855	S	2/2014	Netzel et al.	
D712,048	S *	8/2014	Sigurdsson	D24/190
D729,386	S *	5/2015	Ziegler	D24/147
D732,665	S *	6/2015	Ziegler	D24/147

(Continued)

Related U.S. Application Data

(62) Division of application No. 29/443,819, filed on Jan. 23, 2013, now Pat. No. Des. 712,048.

(51) **LOC (10) Cl.** **24-04**

(52) **U.S. Cl.**
USPC **D24/190**

(58) **Field of Classification Search**
USPC D24/147, 188–192
CPC . A61F 5/01; A61F 13/048; A61F 2005/0179;
A61F 5/0102; A61F 5/0123; A61F 5/0125;
A61F 2005/0167; A44B 11/28; A44B 11/02;
A43C 11/165; A43C 11/16; Y10T 24/2183;
Y10T 24/47

See application file for complete search history.

(56) **References Cited**

U.S. PATENT DOCUMENTS

2,622,292	A	12/1952	Pehaczek	
5,410,780	A	5/1995	Silagy	
6,161,265	A	12/2000	Gallucci et al.	
6,250,651	B1 *	6/2001	Reuss	A43C 11/1406 24/70 SK

Primary Examiner — George D Kirschbaum

Assistant Examiner — Jennifer Watkins

(74) *Attorney, Agent, or Firm* — Workman Nydegger

(57) **CLAIM**

The ornamental design for a component of a strap dosing system, as shown and described.

DESCRIPTION

FIG. 1 is a perspective view of a component of a strap dosing system including a strap and dial tensioning device mount, showing our design.

FIG. 2 is a perspective view of the mount of FIG. 1.

FIG. 3 is a top plan view of the mount of FIG. 2.

FIG. 4 is a bottom plan view of the mount of FIG. 2.

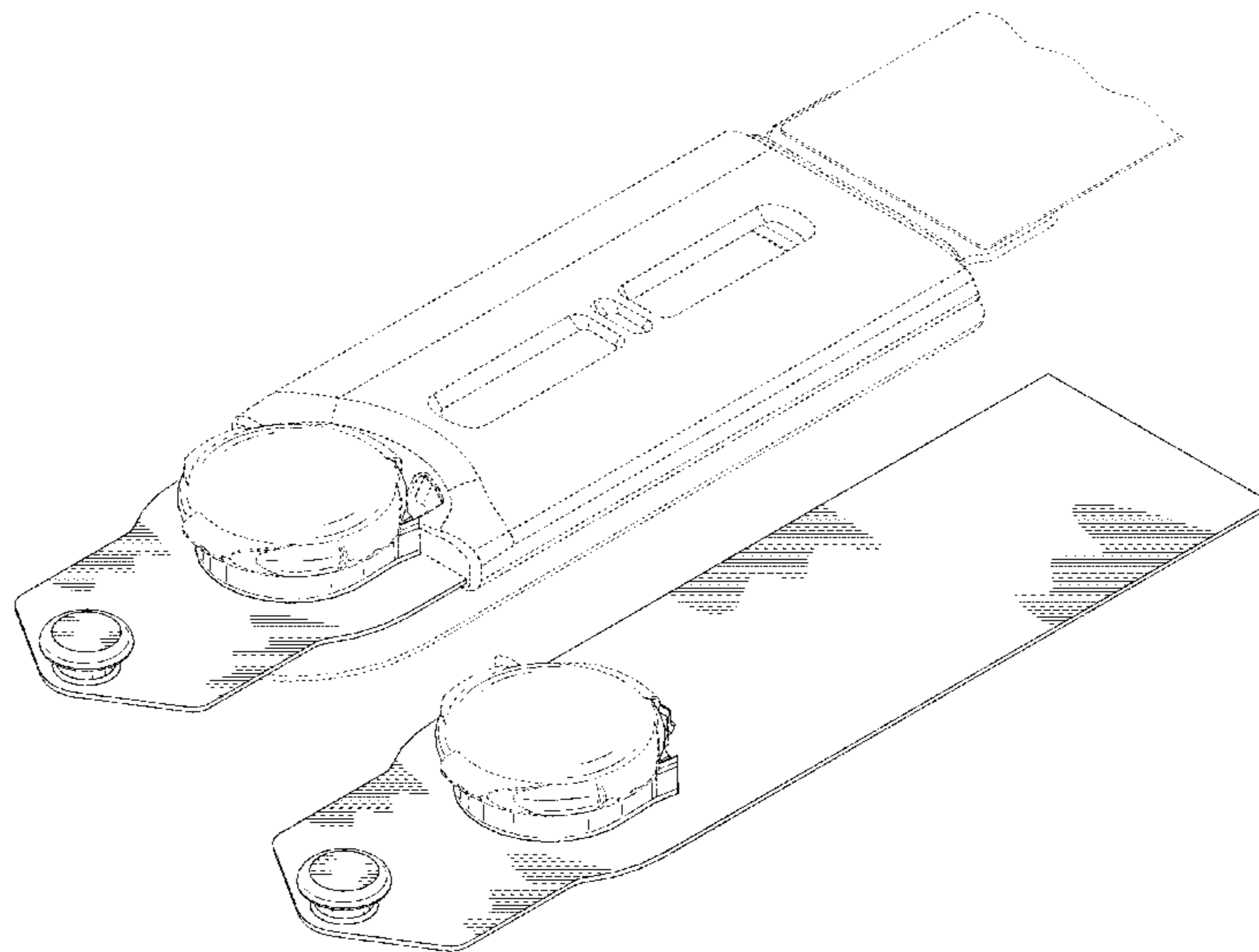
FIG. 5 is a first side elevational view of the mount of FIG. 2.

FIG. 6 is a second side elevational view of the mount of FIG. 2.

FIG. 7 is a front elevational view of the mount of FIG. 2; and, FIG. 8 is a rear elevational view of the mount of FIG. 2.

The broken lines in the respective views are included for the purpose of illustrating environmental structure and form no part of the claimed design.

1 Claim, 3 Drawing Sheets



(56)

References Cited

U.S. PATENT DOCUMENTS

2002/0128591	A1 *	9/2002	Kleiner	A61N 1/0448 604/20	2009/0287128	A1	11/2009	Ingimundarson et al.
2003/0176823	A1	9/2003	Mason		2010/0122437	A1	5/2010	Hortnagl
2006/0020237	A1 *	1/2006	Nordt, III	A61F 5/32 602/60	2011/0137220	A1	6/2011	Vollbrecht et al.
2009/0076618	A1	3/2009	Auberger		2012/0203156	A1	8/2012	Dar et al.
2009/0184189	A1	7/2009	Soderberg et al.		2012/0204381	A1	8/2012	Ingimundarson et al.
2009/0198161	A1	8/2009	Seligman et al.		2013/0012856	A1	1/2013	Hammerslag et al.
					2013/0144197	A1	6/2013	Ingimundarson et al.
					2013/0184628	A1	7/2013	Ingimundarson et al.
					2013/0345613	A1	12/2013	Peters
					2015/0165986	A1 *	6/2015	Morris
								B60R 16/0215 280/728.2

* cited by examiner

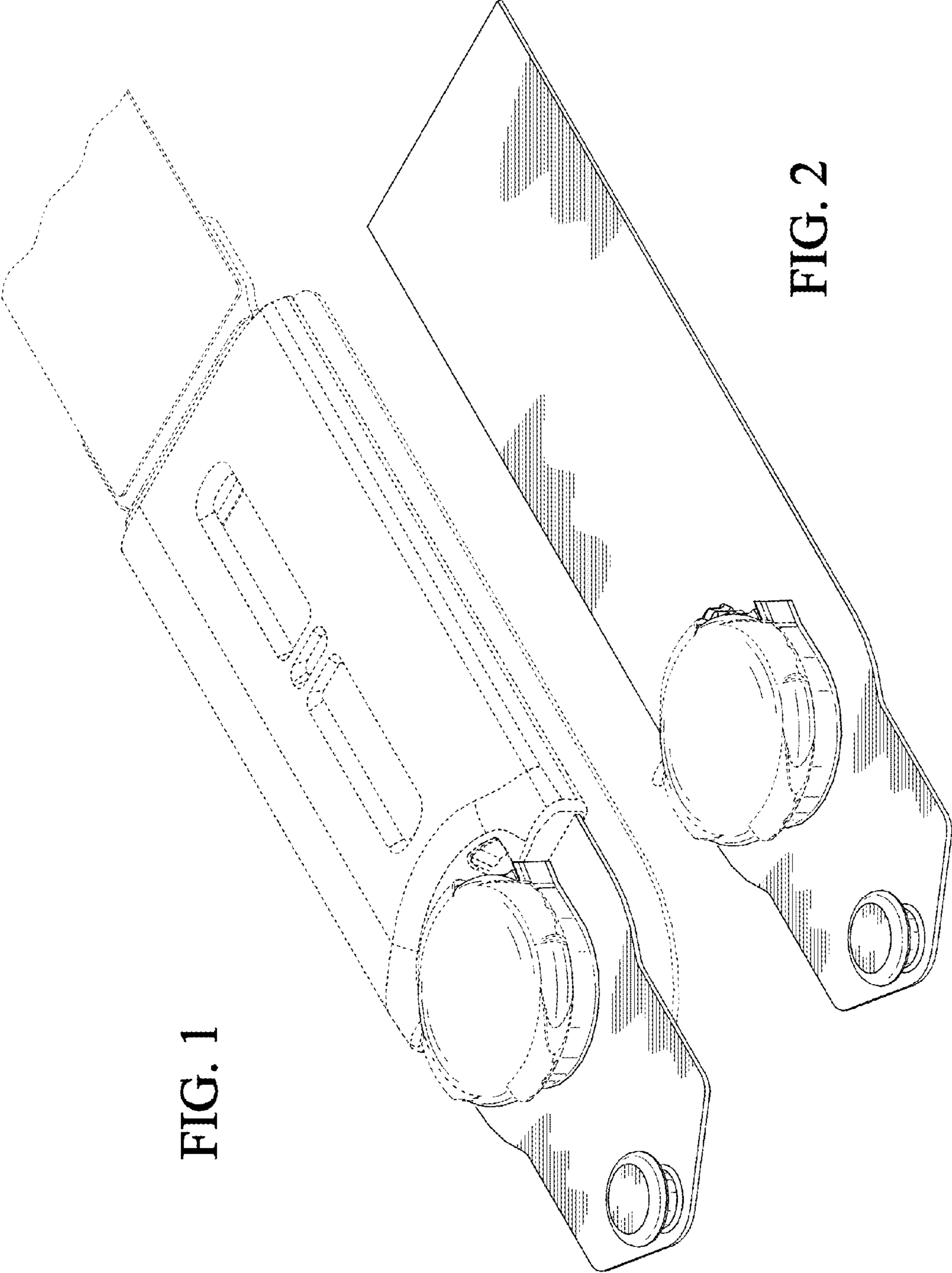


FIG. 1

FIG. 2

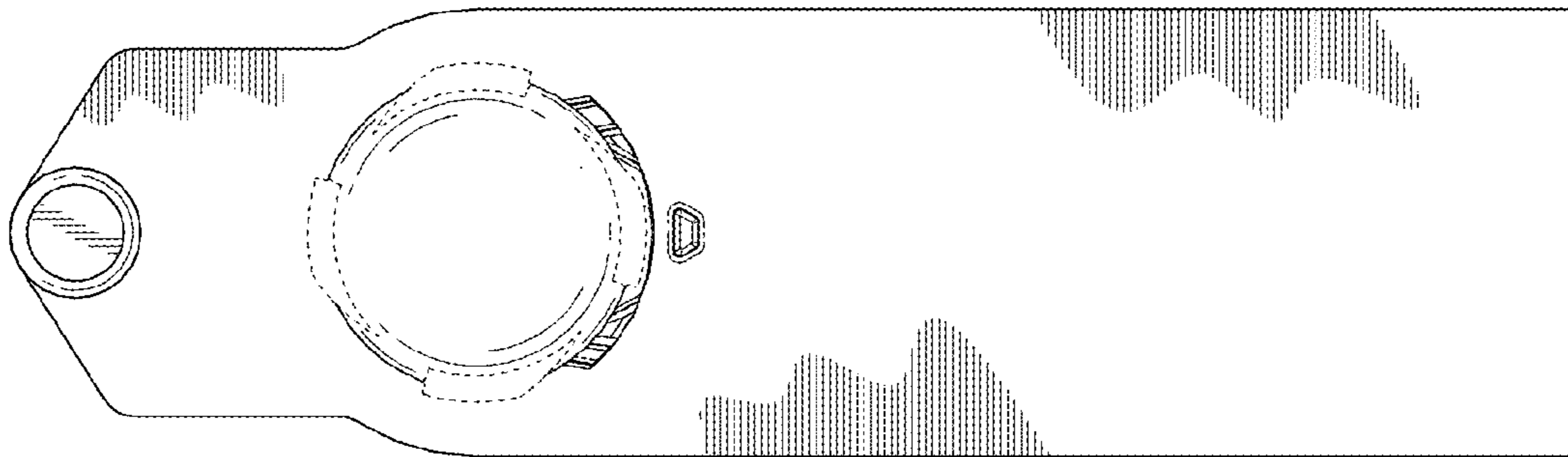


FIG. 3

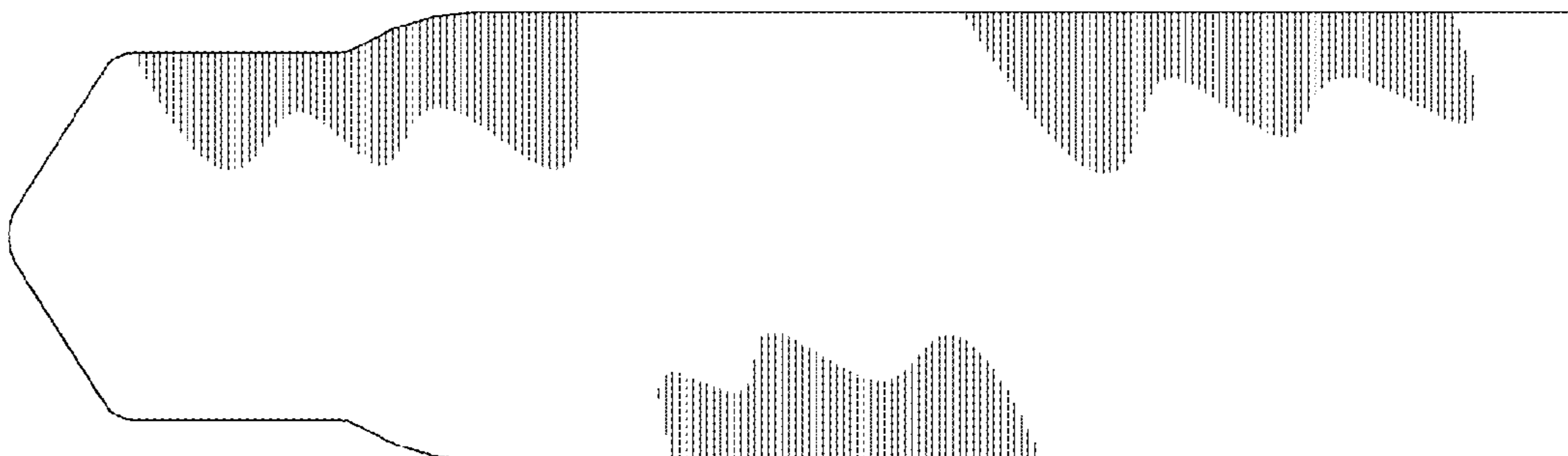


FIG. 4

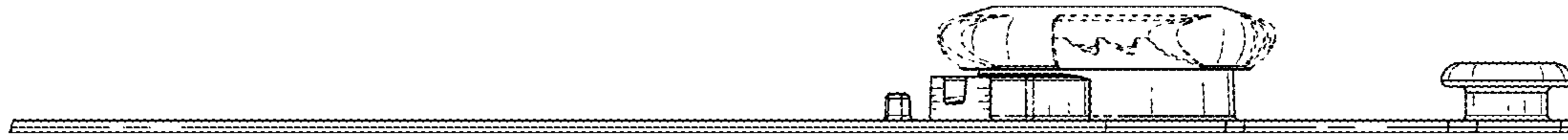


FIG. 5



FIG. 6

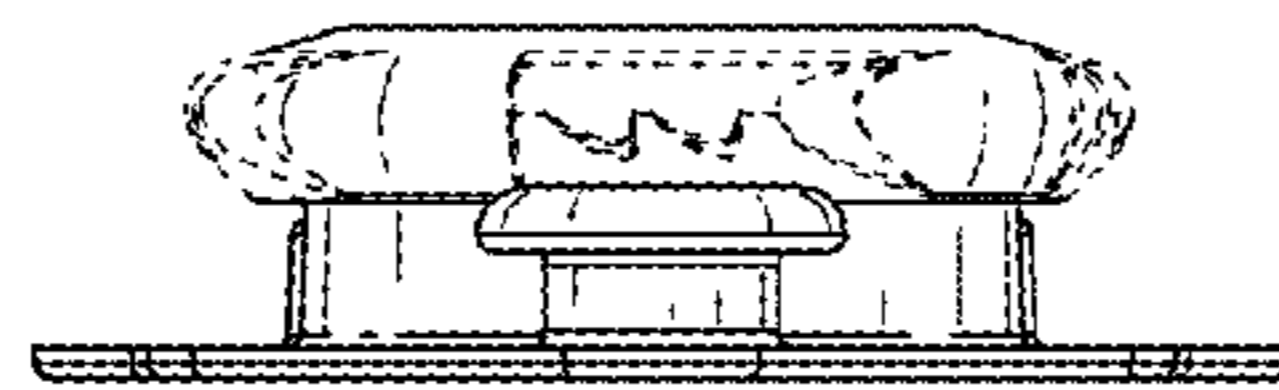


FIG. 7



FIG. 8