



US00D753832S

(12) **United States Design Patent**
Lin et al.

(10) **Patent No.:** **US D753,832 S**
(45) **Date of Patent:** **** Apr. 12, 2016**

(54) **APPARATUS FOR MEASURING
PHYSIOLOGICAL SIGNAL**

(71) Applicants: **Kinpo Electronics, Inc.**, New Taipei
(TW); **Cal-Comp Electronics &
Communications Company Limited**,
New Taipei (TW)

(72) Inventors: **Chi-Hsueh Lin**, New Taipei (TW);
Wei-Jen Lo, New Taipei (TW); **Chih-Ta
Huang**, New Taipei (TW)

(73) Assignees: **Kinpo Electronics, Inc.**, New Taipei
(TW); **Cal-Comp Electronics &
Communications Company Limited**,
New Taipei (TW)

(**) Term: **14 Years**

(21) Appl. No.: **29/515,862**

(22) Filed: **Jan. 27, 2015**

(30) **Foreign Application Priority Data**

Nov. 11, 2014 (EP) 002575415

(51) **LOC (10) Cl.** **24-01**

(52) **U.S. Cl.**
USPC **D24/186**

(58) **Field of Classification Search**
USPC D24/164–168, 186, 187; D10/75, 70,
D10/78

CPC A61B 5/0402; A61B 5/0404; A61B 5/021;
A61B 5/024; A61B 5/02438; A61B 5/681;
A61B 2560/0205; A61B 2560/0462

See application file for complete search history.

(56) **References Cited**

U.S. PATENT DOCUMENTS

D363,350	S	*	10/1995	Baker	D24/186
D443,362	S	*	6/2001	Storp	D24/165
D603,521	S	*	11/2009	Lindberg	D24/187
D709,204	S	*	7/2014	Kovach	D24/187
D732,672	S	*	6/2015	Lewis, Jr.	D24/187
2008/0288026	A1	*	11/2008	Cross	A61B 5/0408 607/60
2012/0165645	A1	*	6/2012	Russell	A61B 5/0024 600/388
2015/0182794	A1	*	7/2015	Huang	A61B 5/6831 340/870.07

* cited by examiner

Primary Examiner — Anhdao Doan

(74) *Attorney, Agent, or Firm* — Jianq Chyun IP Office

(57) **CLAIM**

The ornamental design for an apparatus for measuring physiological signal, as shown and described.

DESCRIPTION

FIG. 1 is a perspective view of an apparatus for measuring physiological signal showing our new design;

FIG. 2 is a front view thereof;

FIG. 3 is a rear view thereof;

FIG. 4 is a left side view thereof;

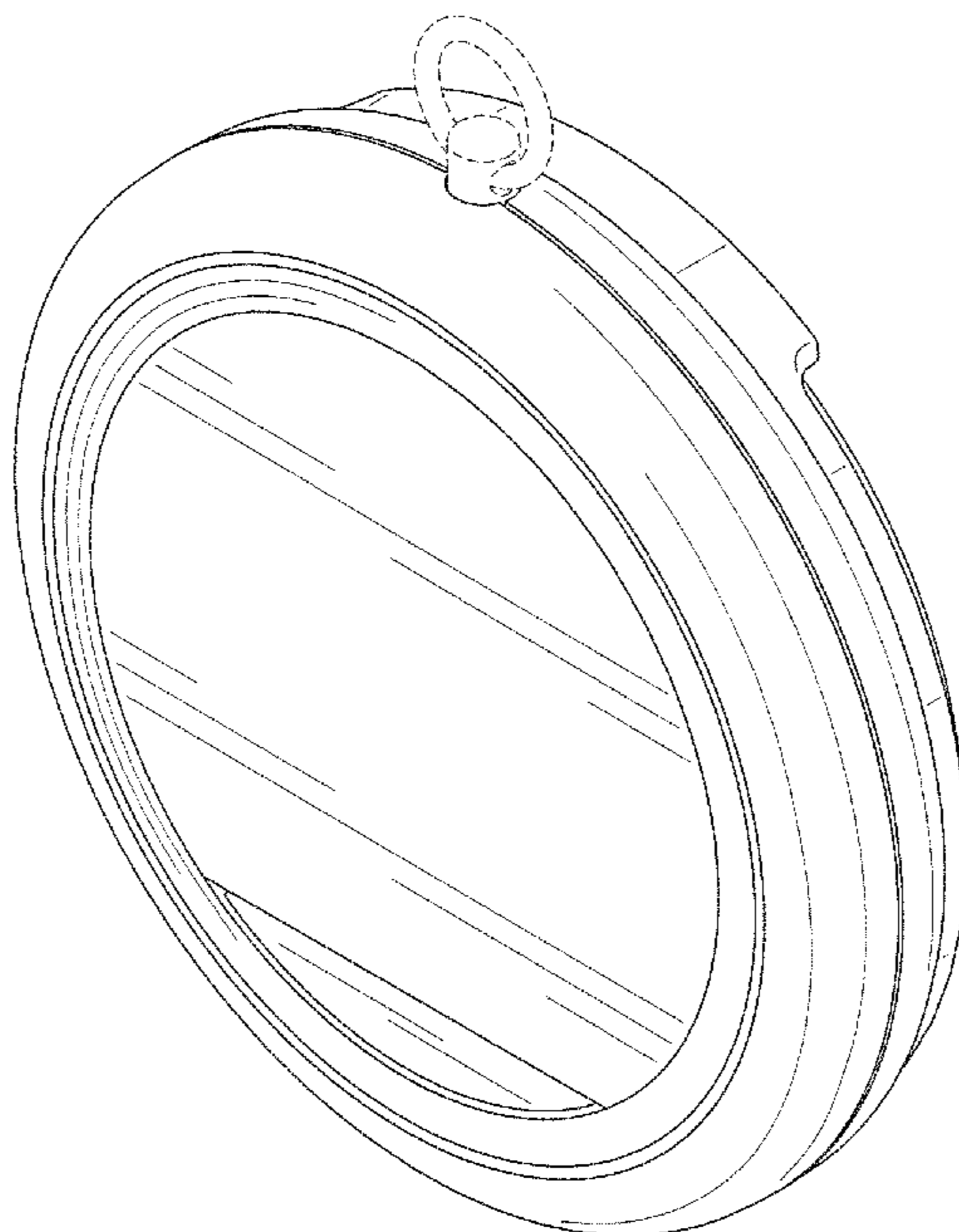
FIG. 5 is a right side view thereof;

FIG. 6 is a top view thereof; and,

FIG. 7 is a bottom view thereof.

The broken lines showing in the views are for the purpose of illustrating environmental structure and form no part of the claimed design.

1 Claim, 6 Drawing Sheets



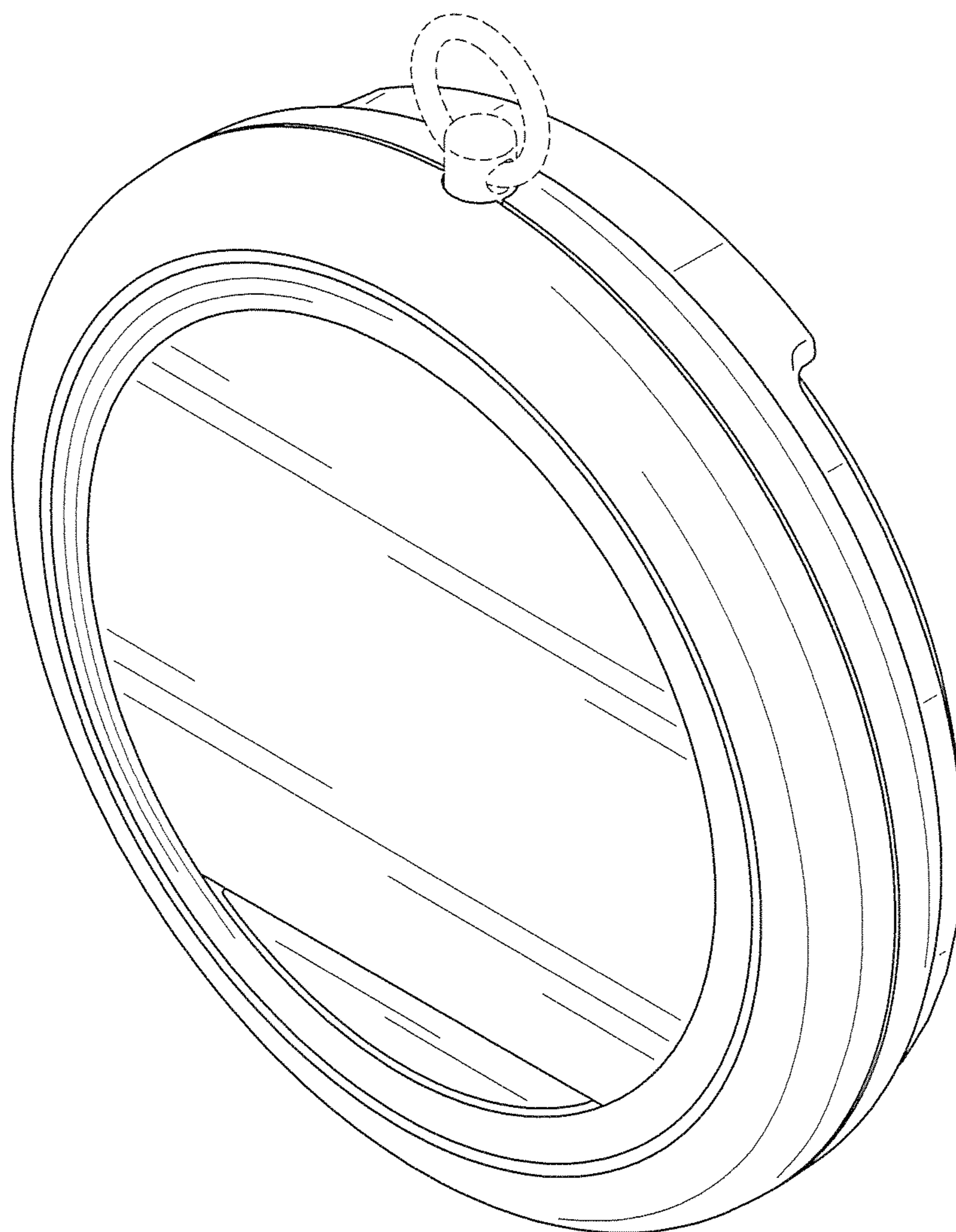


FIG. 1

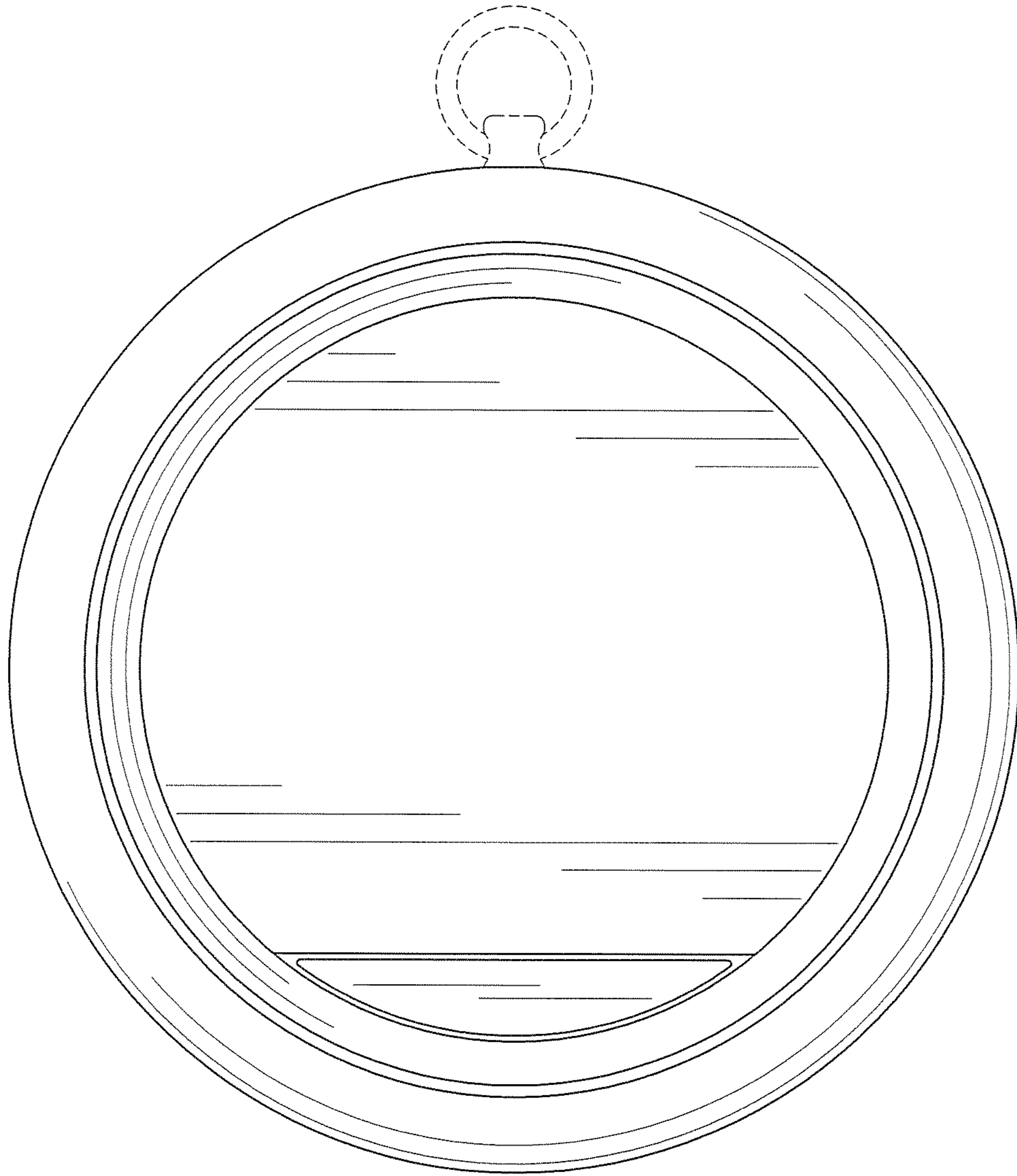


FIG. 2

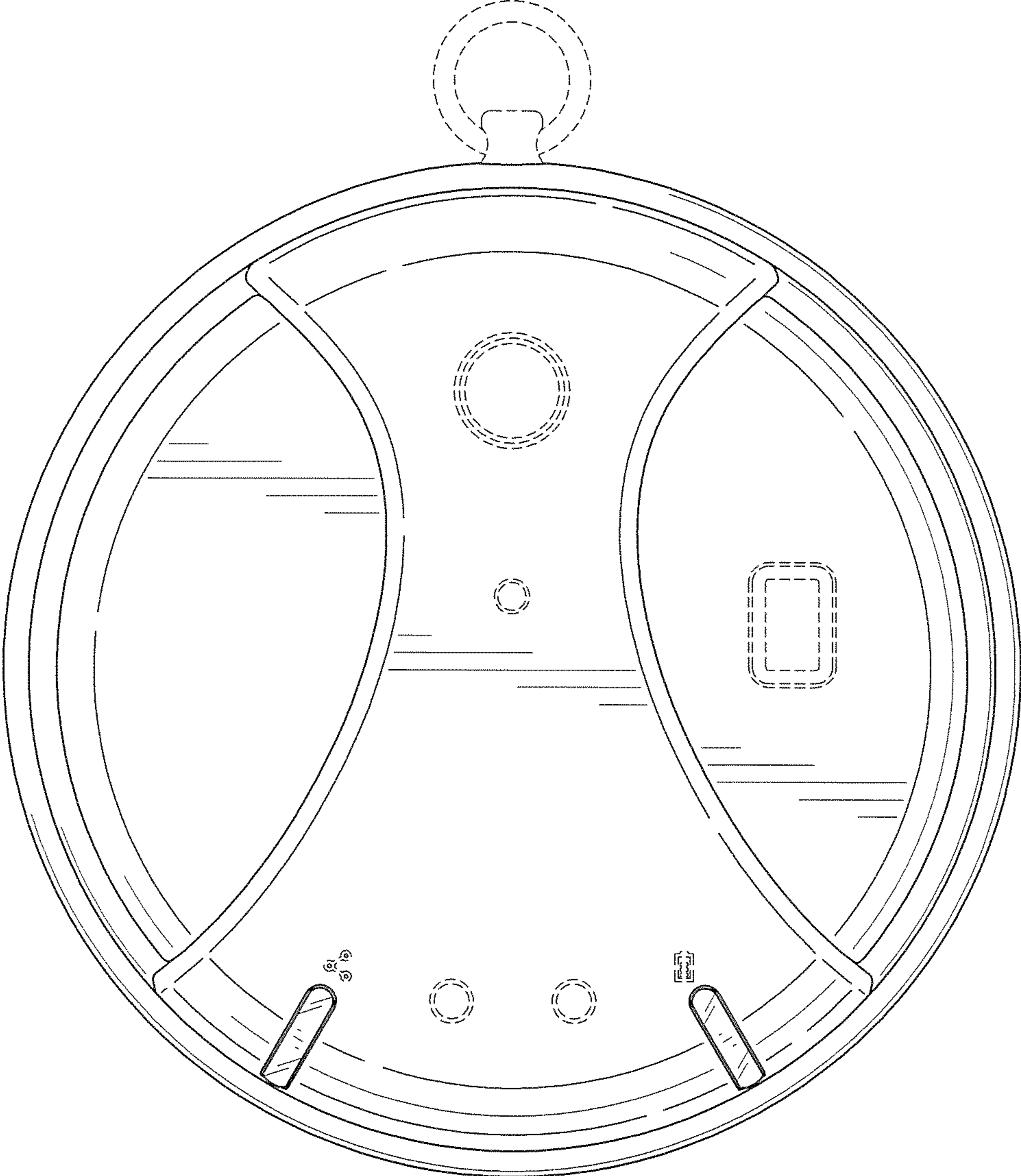


FIG. 3

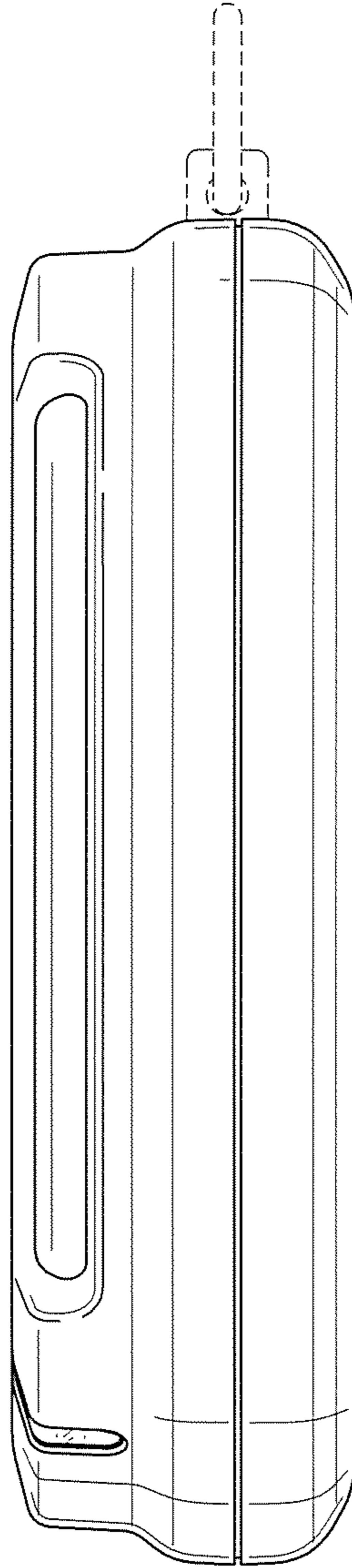


FIG. 4

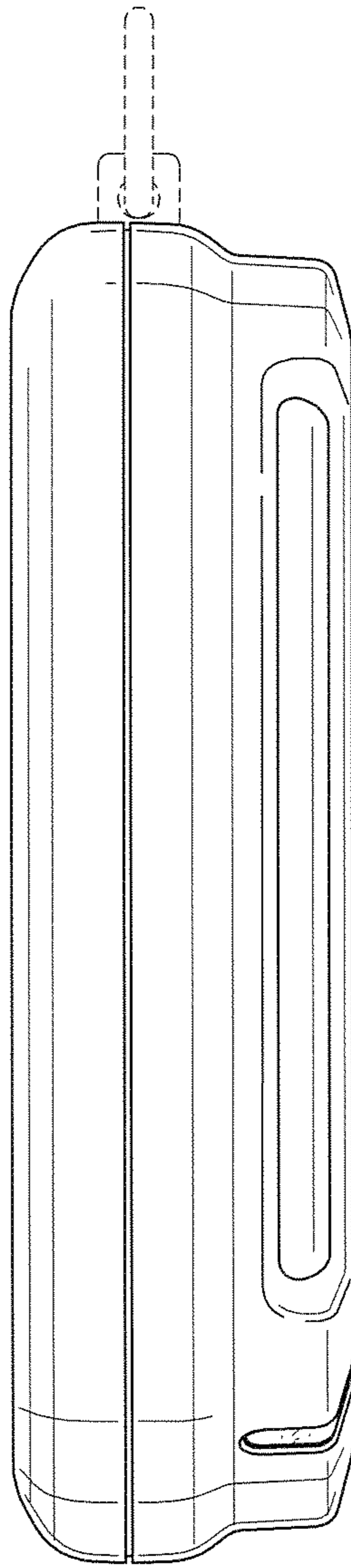


FIG. 5

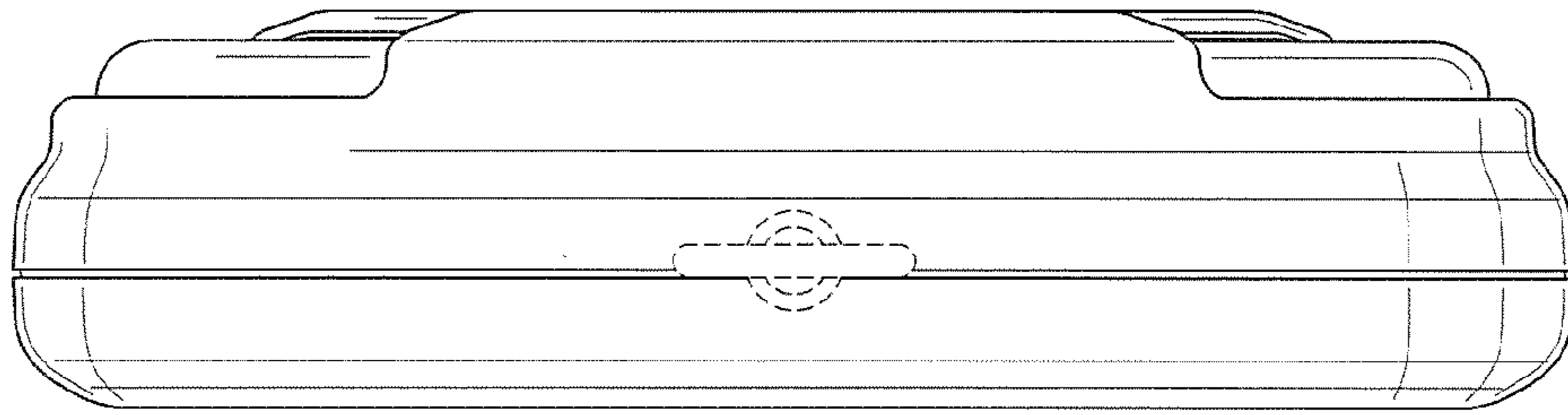


FIG. 6

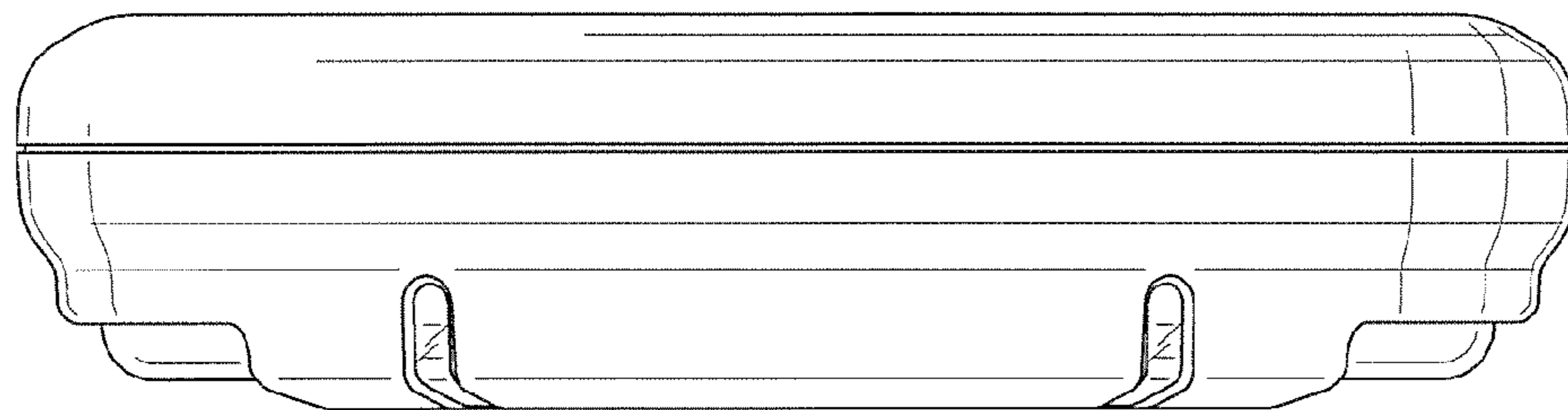


FIG. 7