



US00D753831S

(12) **United States Design Patent**
Tao et al.

(10) **Patent No.:** **US D753,831 S**
(45) **Date of Patent:** **** Apr. 12, 2016**

(54) **PORTABLE HANGING TOWER FOR MEDICAL USE**

CPC .. A61B 1/0051; A61B 1/00142; A61B 19/08;
A61B 19/081
See application file for complete search history.

(71) Applicant: **MAQUET (Suzhou) Co., Ltd.**, Suzhou (CN)

(56) **References Cited**

(72) Inventors: **Xiaowang Tao**, Suzhou (CN); **Wei Peng**, Suzhou (CN); **Chunxia Xu**, Suzhou (CN); **Qunhua Li**, Suzhou (CN); **Ming Ji**, Suzhou (CN)

U.S. PATENT DOCUMENTS

D248,405 S * 7/1978 Leong D24/111
D375,158 S * 10/1996 Milani D24/110
D648,032 S * 11/2011 Schon D24/186

(73) Assignee: **MAQUET (SUZHOU) CO., LTD.**, Suzhou, Jiangsu Province (CN)

* cited by examiner

Primary Examiner — Zenia Bennett

(**) Term: **14 Years**

(74) *Attorney, Agent, or Firm* — Ascenda Law Group PC

(21) Appl. No.: **29/468,220**

(57) **CLAIM**

The ornamental design for a portable hanging tower for medical use, as shown and described.

(22) Filed: **Sep. 27, 2013**

DESCRIPTION

(30) **Foreign Application Priority Data**

Jul. 16, 2013 (CN) 201330333086.6

(51) **LOC (10) Cl.** **24-01**

(52) **U.S. Cl.**
USPC **D24/184**

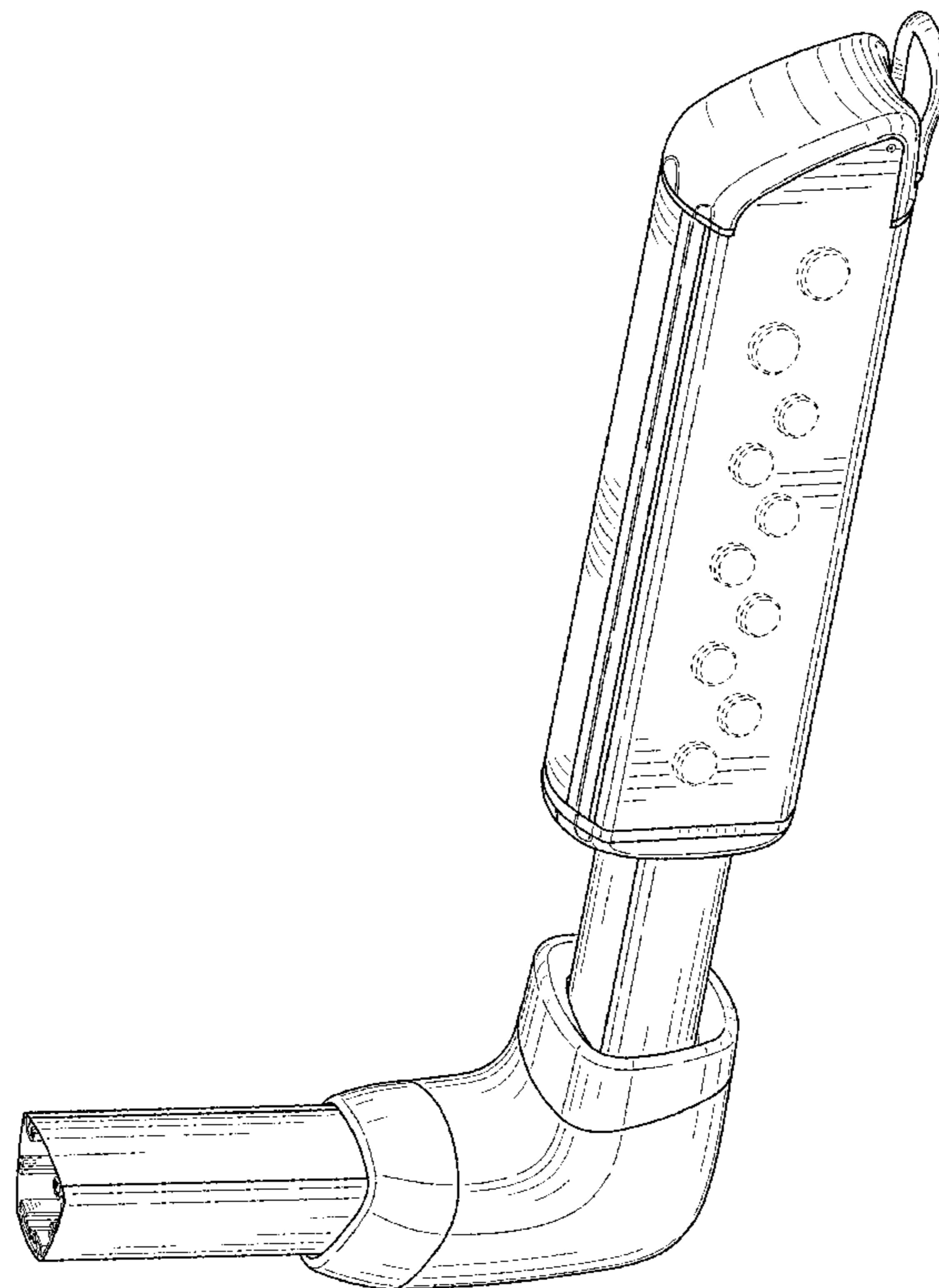
(58) **Field of Classification Search**

USPC D24/183, 184, 200, 127, 171, 185, 158;
D6/418, 366, 601; 5/636, 640, 632,
5/622, 623; 128/845, 846, 869, 849;
602/16; 248/118.1, 118.3, 230.2, 118,
248/118.5, 279.1, 125.9; D12/421

FIG. 1 is a front perspective view showing my new design;
FIG. 2 is a front view of FIG. 1;
FIG. 3 is a rear view thereof;
FIG. 4 is a left side view thereof;
FIG. 5 is a right side view thereof;
FIG. 6 is a top view thereof; and,
FIG. 7 is a bottom view thereof.

The broken lines showing the remainder of the portable hanging tower for medical use are directed to environment and are for illustrative purposes only. None of the broken lines form a part of the claimed design.

1 Claim, 5 Drawing Sheets



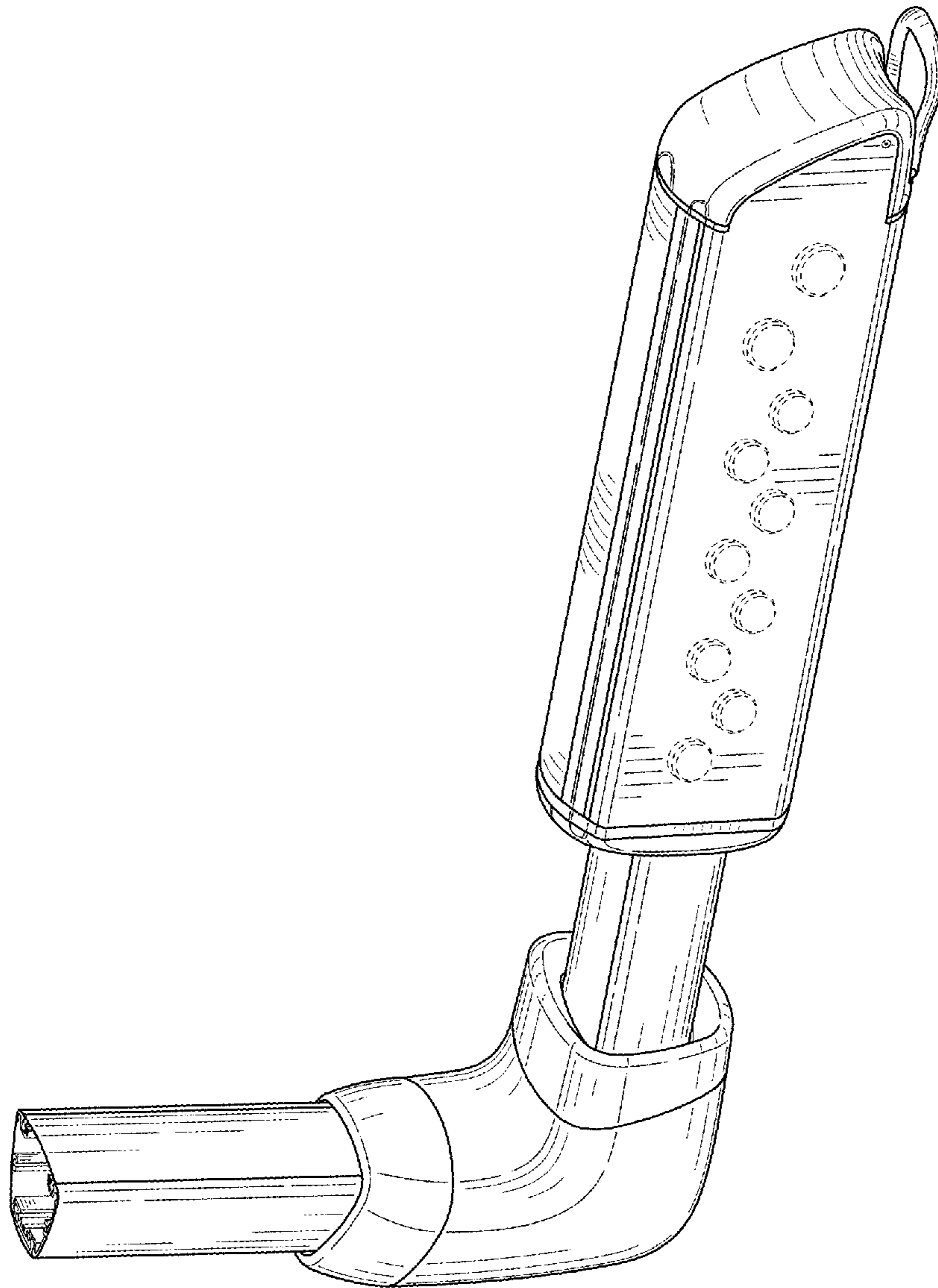


FIG. 1

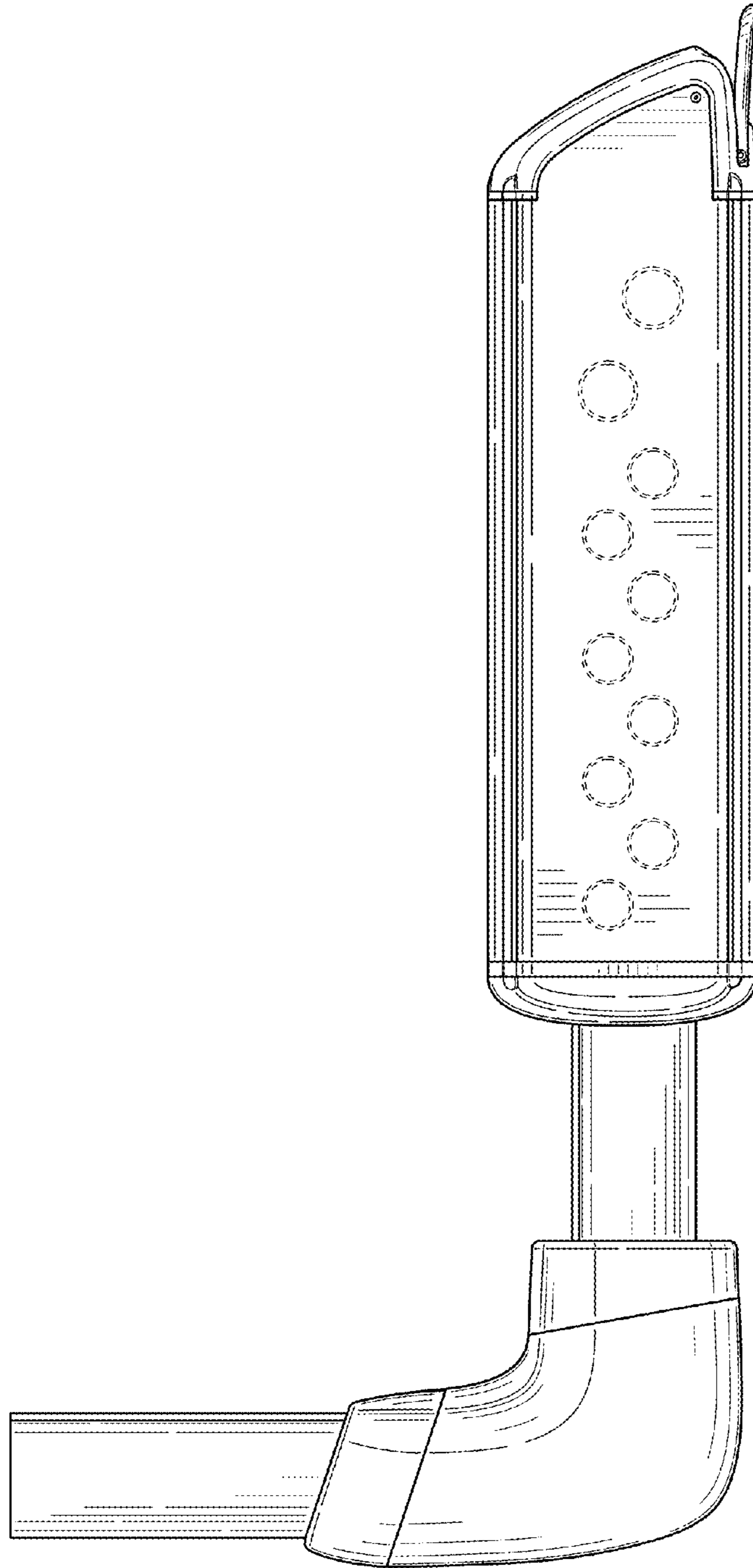


FIG. 2

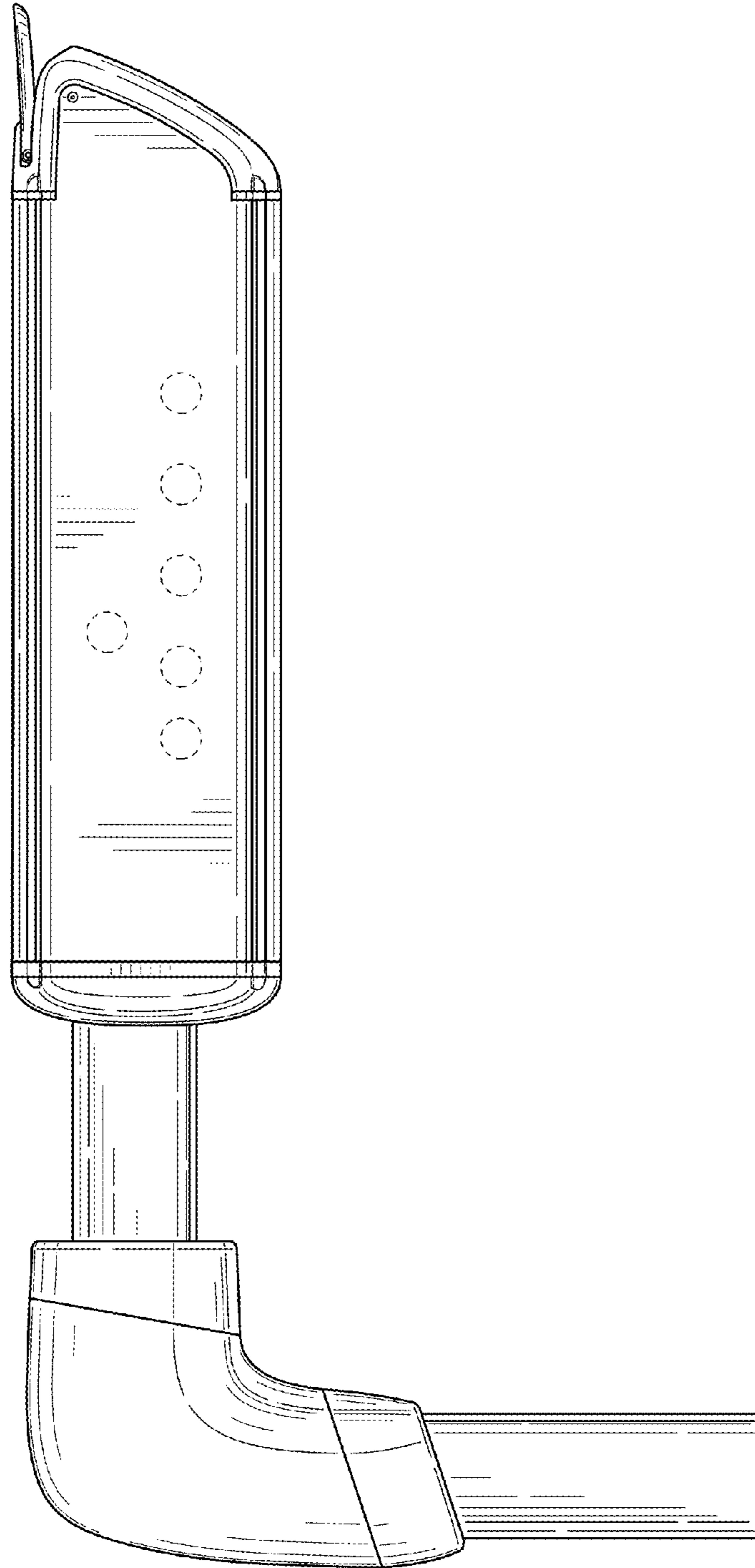


FIG. 3

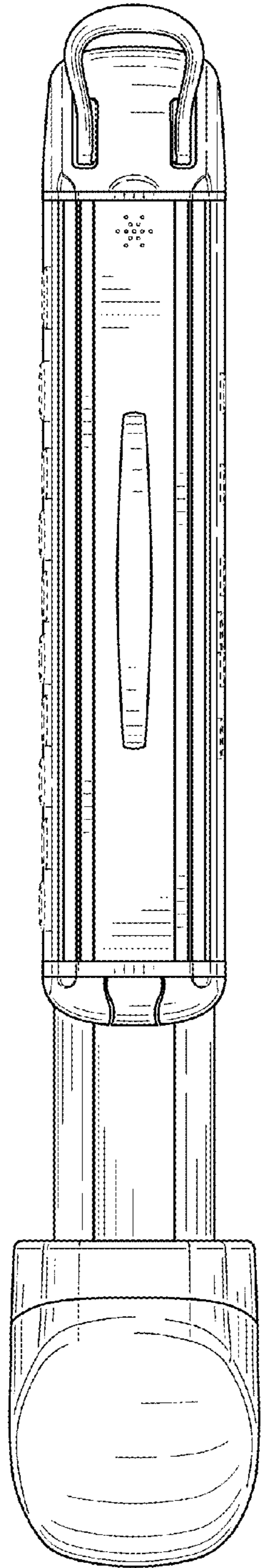


FIG. 4

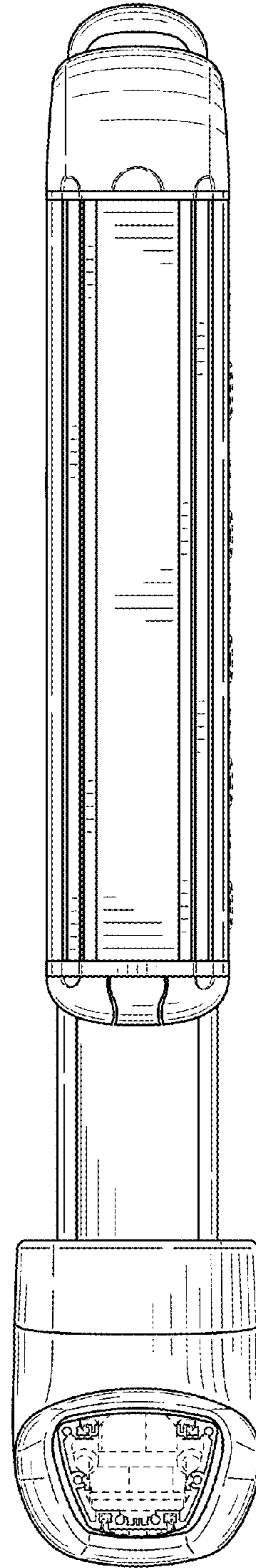


FIG. 5

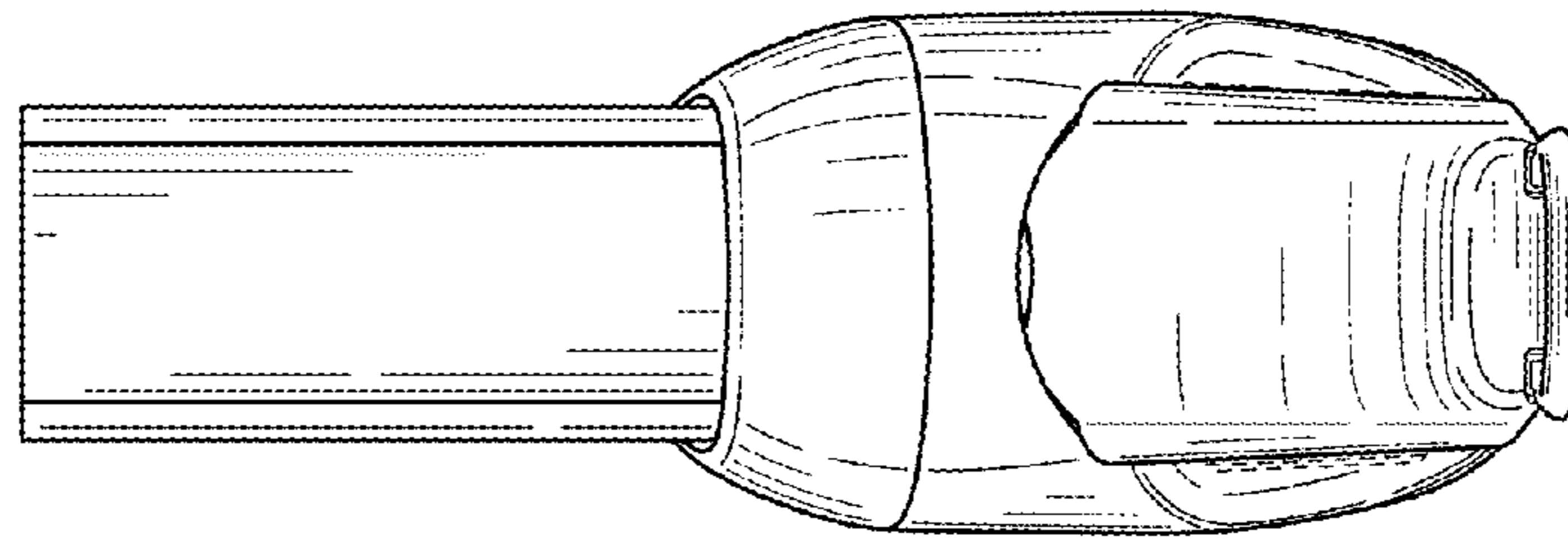


FIG. 6

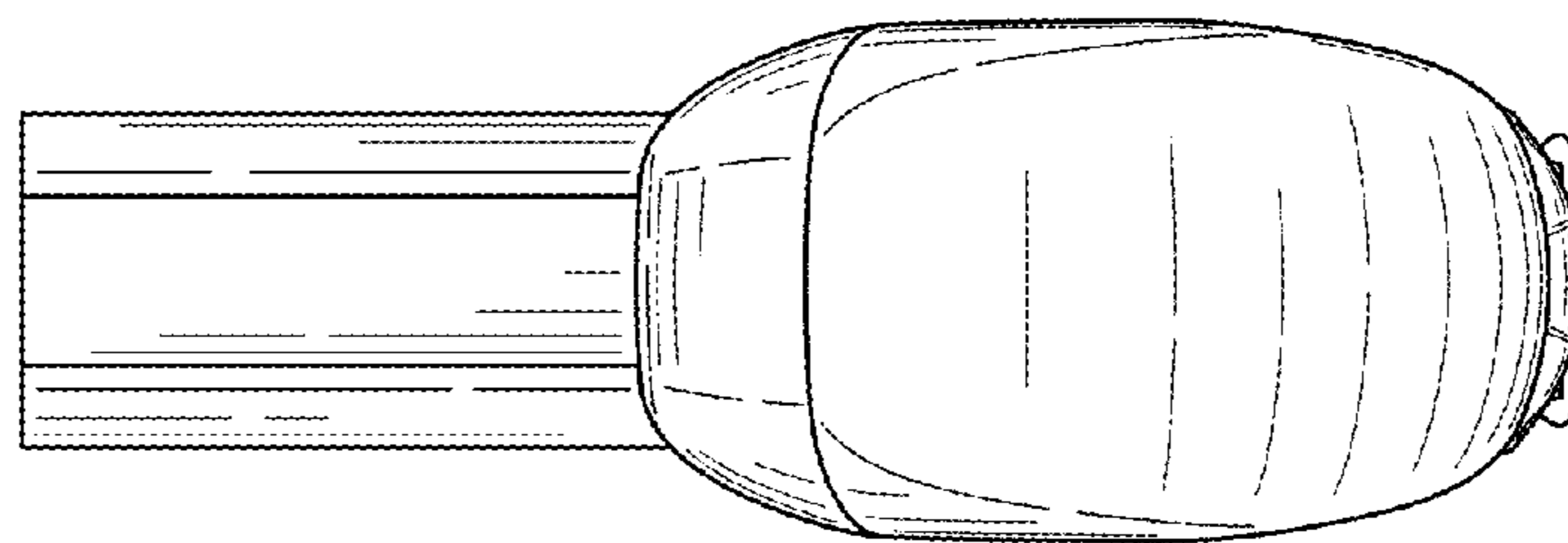


FIG. 7