



US00D753830S

(12) **United States Design Patent**
Halvorson, Jr. et al.

(10) **Patent No.:** **US D753,830 S**
(45) **Date of Patent:** **** Apr. 12, 2016**

(54) **BASE COVER**

(71) Applicant: **A-dec, Inc.**, Newberg, OR (US)

(72) Inventors: **Harold Halvorson, Jr.**, Beaverton, OR (US); **Joseph David Van Domelen**, Hillsboro, OR (US); **Joel William Stude**, Newberg, OR (US)

(73) Assignee: **A-dec, Inc.**, Newberg, OR (US)

(**) Term: **14 Years**

(21) Appl. No.: **29/519,417**

(22) Filed: **Mar. 4, 2015**

(51) **LOC (10) Cl.** **24-01**

(52) **U.S. Cl.**
USPC **D24/178**

(58) **Field of Classification Search**
USPC D24/176-182, 184; D6/708; 433/33, 433/79, 101
CPC A61G 15/14; A61G 15/10; A61G 15/00; A61G 15/08; A61C 19/00
See application file for complete search history.

(56) **References Cited**

U.S. PATENT DOCUMENTS

4,527,976 A * 7/1985 Behringer A61G 15/10
433/33
D384,154 S * 9/1997 Malmen D24/178
D595,412 S * 6/2009 Malmen D24/178

D607,110 S 12/2009 Alvarez et al.
D613,530 S 4/2010 Halvorson, Jr.
D613,531 S 4/2010 Halvorson, Jr.
D621,185 S 8/2010 Alvarez
8,061,664 B2 * 11/2011 Ochsner A61G 15/10
248/157
D675,322 S * 1/2013 Jamison D24/178
D680,223 S * 4/2013 Jamison D24/178

* cited by examiner

Primary Examiner — Wan Laymon

(74) *Attorney, Agent, or Firm* — Klarquist Sparkman, LLP

(57) **CLAIM**

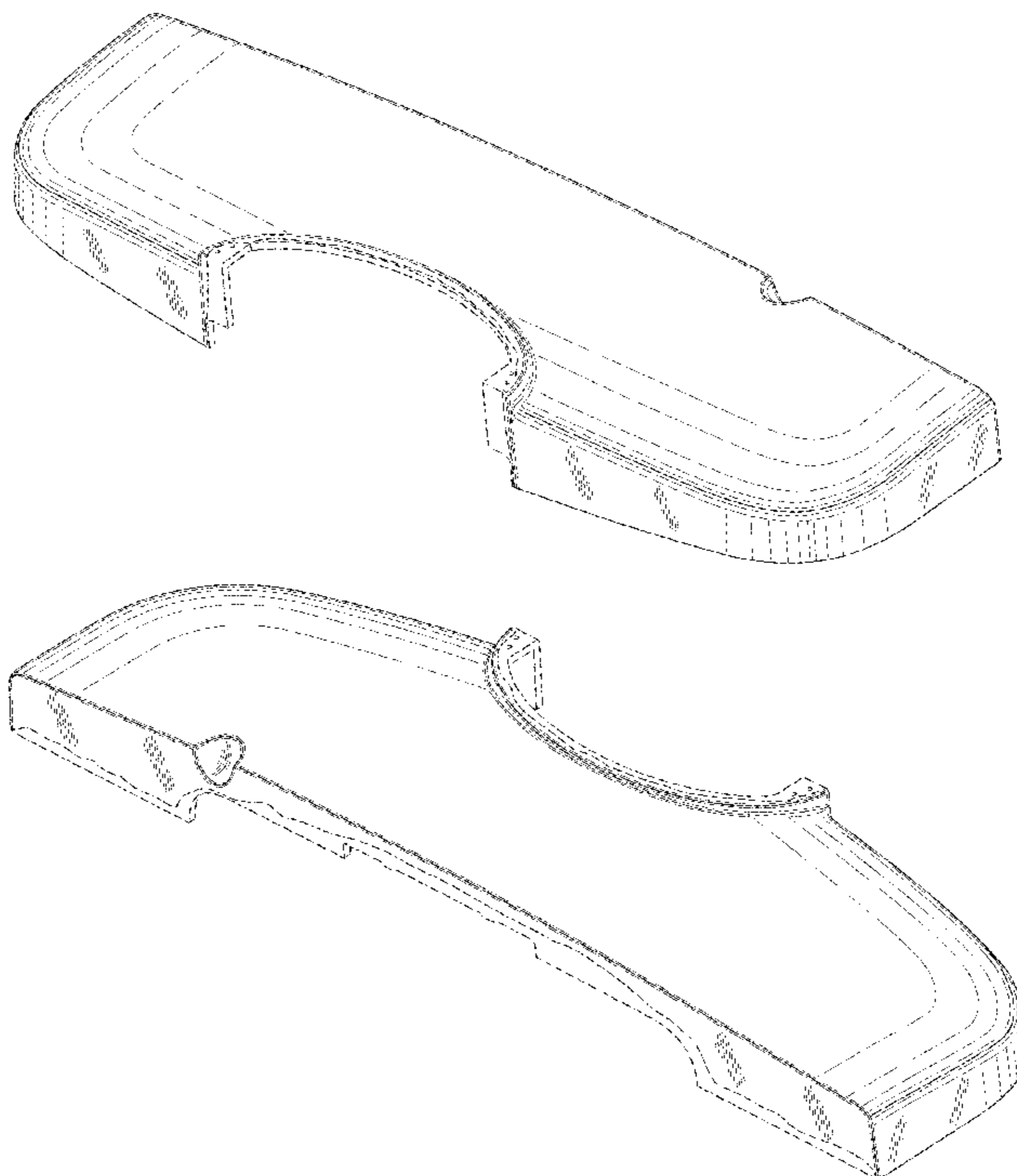
We claim the ornamental design for a base cover, as shown and described.

DESCRIPTION

FIG. 1 is a top, front and left side perspective view of a base cover on a dental chair showing our new design;
FIG. 2 is a top, left and rear side perspective view thereof;
FIG. 3 is a top, right and front perspective view thereof;
FIG. 4 is a top plan view thereof;
FIG. 5 is a left side elevational view thereof;
FIG. 6 is a right side elevational view thereof;
FIG. 7 is a rear side elevational view thereof; and,
FIG. 8 is a front side elevational view thereof.

The broken line showings of internal portions of the base cover form no part of the claimed design. The bottom of the base cover forms no part of the claimed design. The broken line showing of the dental chair illustrates the environment of the claimed design and forms no part thereof.

1 Claim, 3 Drawing Sheets



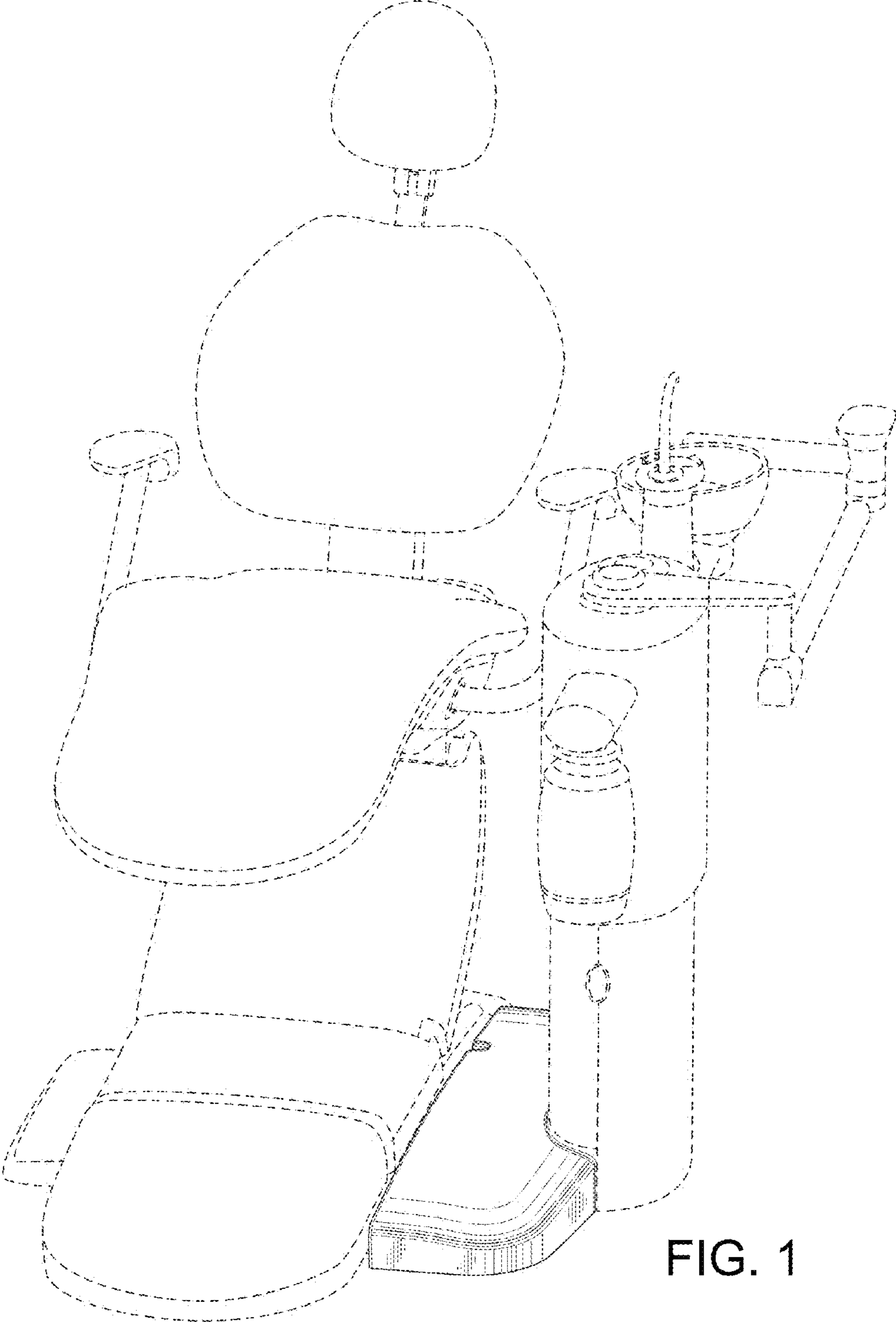


FIG. 1

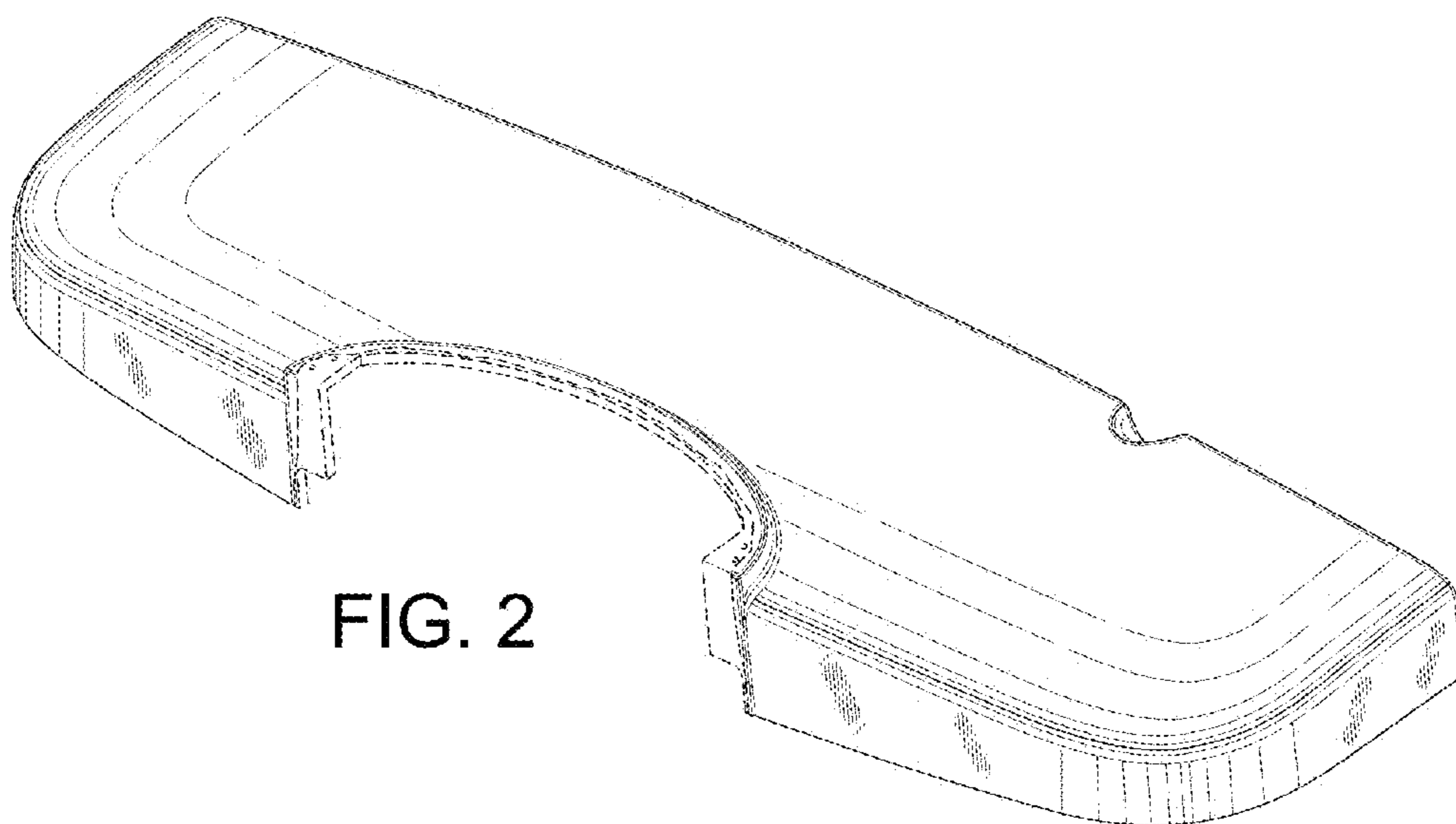


FIG. 2

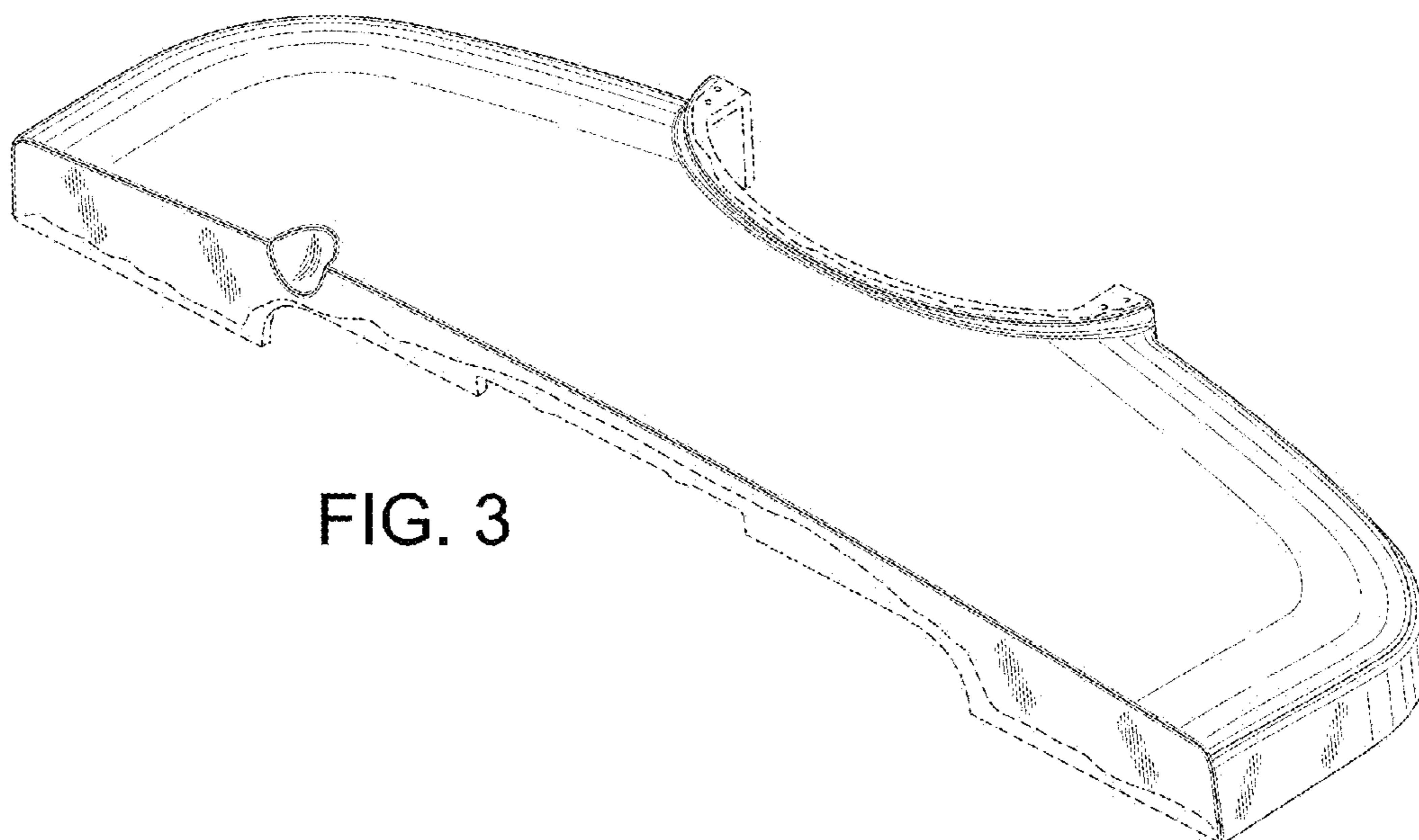


FIG. 3

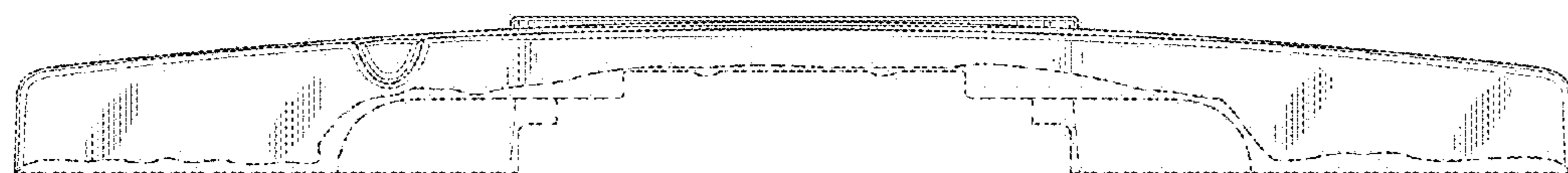


FIG. 6

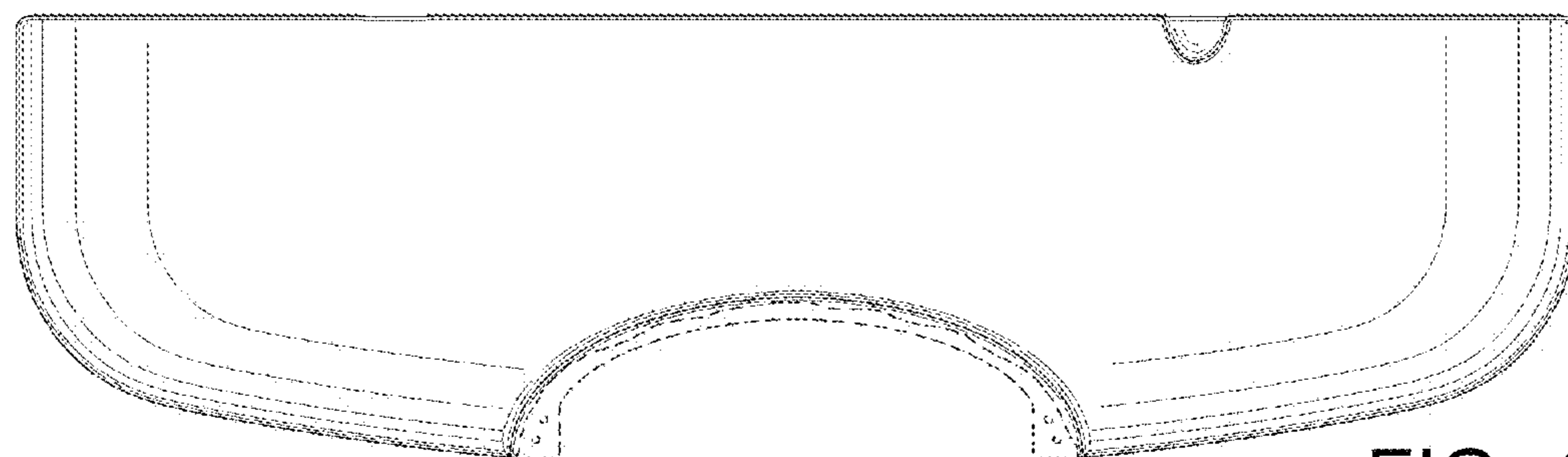


FIG. 4

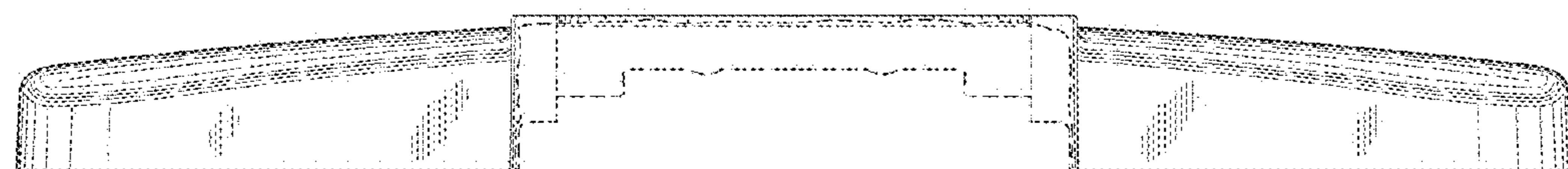


FIG. 5

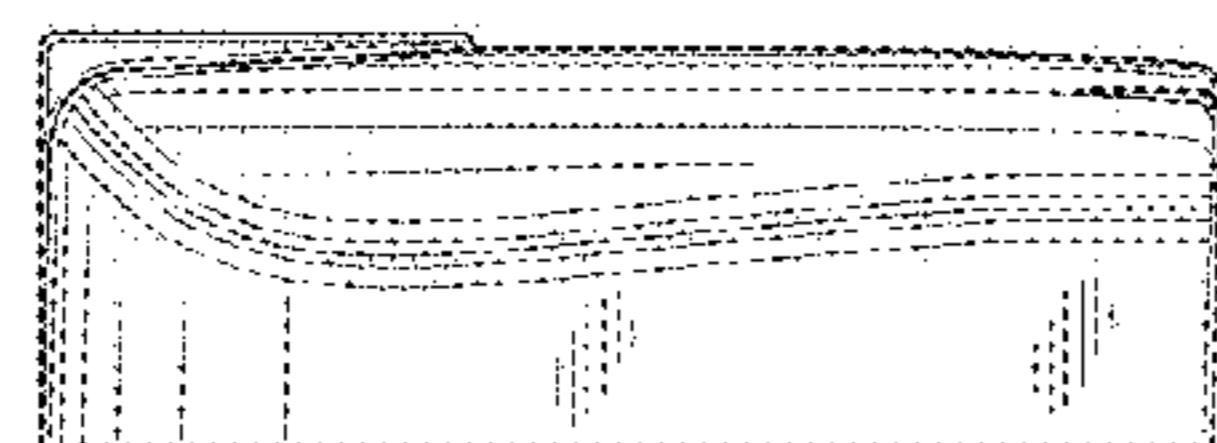


FIG. 7

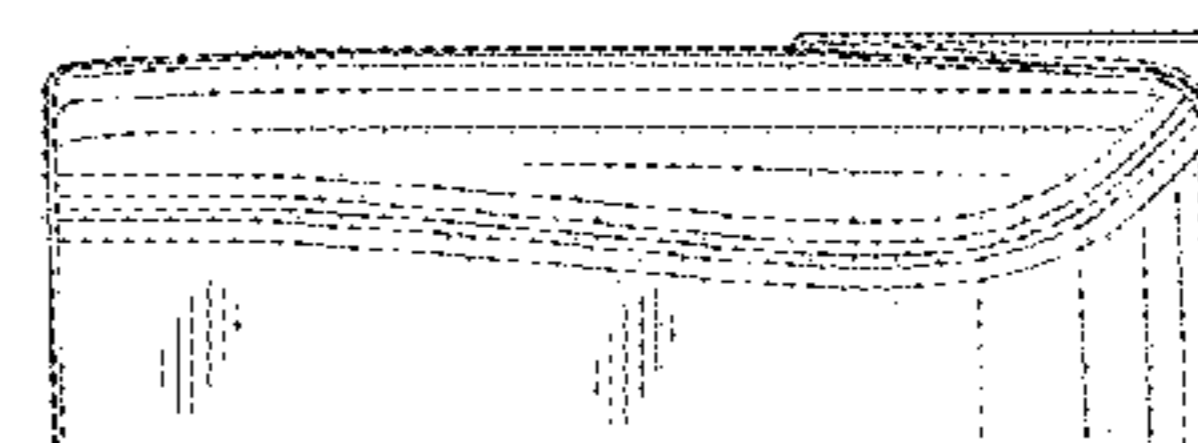


FIG. 8