

US00D753829S

(12) **United States Design Patent**
Hutchison

(10) **Patent No.:** **US D753,829 S**
(45) **Date of Patent:** **** Apr. 12, 2016**

(54) **VESSEL FOR A RESPIROMETER**

D647,522 S * 10/2011 Paul D14/349
D652,933 S * 1/2012 Boschetti Sacco D24/164
D653,760 S * 2/2012 Johnson D24/164

(71) Applicant: **Bactest Limited**, Wyboston (GB)

* cited by examiner

(72) Inventor: **Bruce Hutchison**, Cottenham (GB)

Primary Examiner — Holly Baynham

(73) Assignee: **Bactest Limited**, Wyboston (GB)

Assistant Examiner — Rhea Shields

(**) Term: **14 Years**

(74) *Attorney, Agent, or Firm* — Knobbe Martens Olson & Bear LLP

(21) Appl. No.: **29/507,102**

(57) **CLAIM**

(22) Filed: **Oct. 23, 2014**

The ornamental design for a vessel for a respirometer, as shown and described.

Related U.S. Application Data

(62) Division of application No. 29/433,444, filed on Sep. 28, 2012, now Pat. No. Des. 716,452.

DESCRIPTION

(30) **Foreign Application Priority Data**

Mar. 30, 2012 (EM) 002018531-0001
Mar. 30, 2012 (EM) 002018531-0002

FIG. 1 is a perspective view of a vessel for use in a respirometer of the present design showing the top, front, and first side portions of the vessel;

FIG. 2 a perspective view of a vessel for use in a respirometer of the present design showing the top, back, and second side portions of the vessel;

(51) **LOC (10) Cl.** **24-00**

(52) **U.S. Cl.**
USPC **D24/164**

FIG. 3 is a perspective view of a vessel for use in a respirometer of the present design showing the bottom, back, and second side portions of the vessel;

FIG. 4 is a top view of a vessel for use in a respirometer of the present design showing the top portion of the vessel;

(58) **Field of Classification Search**

USPC D24/164, 110, 110.5, 110.6, 167, 186,
D24/185, 231, 234, 129, 118; 600/424, 426,
600/407, 534, 529, 532, 538; 606/96, 97,
606/98

FIG. 5 is a back view of a vessel for use in a respirometer of the present design showing the back portion of the vessel;

FIG. 6 is a bottom view of a vessel for use in a respirometer of the present design showing the bottom portion of the vessel; and,

See application file for complete search history.

FIG. 7 is a side view of a vessel for use in a respirometer of the present design showing the second side portion of the vessel.

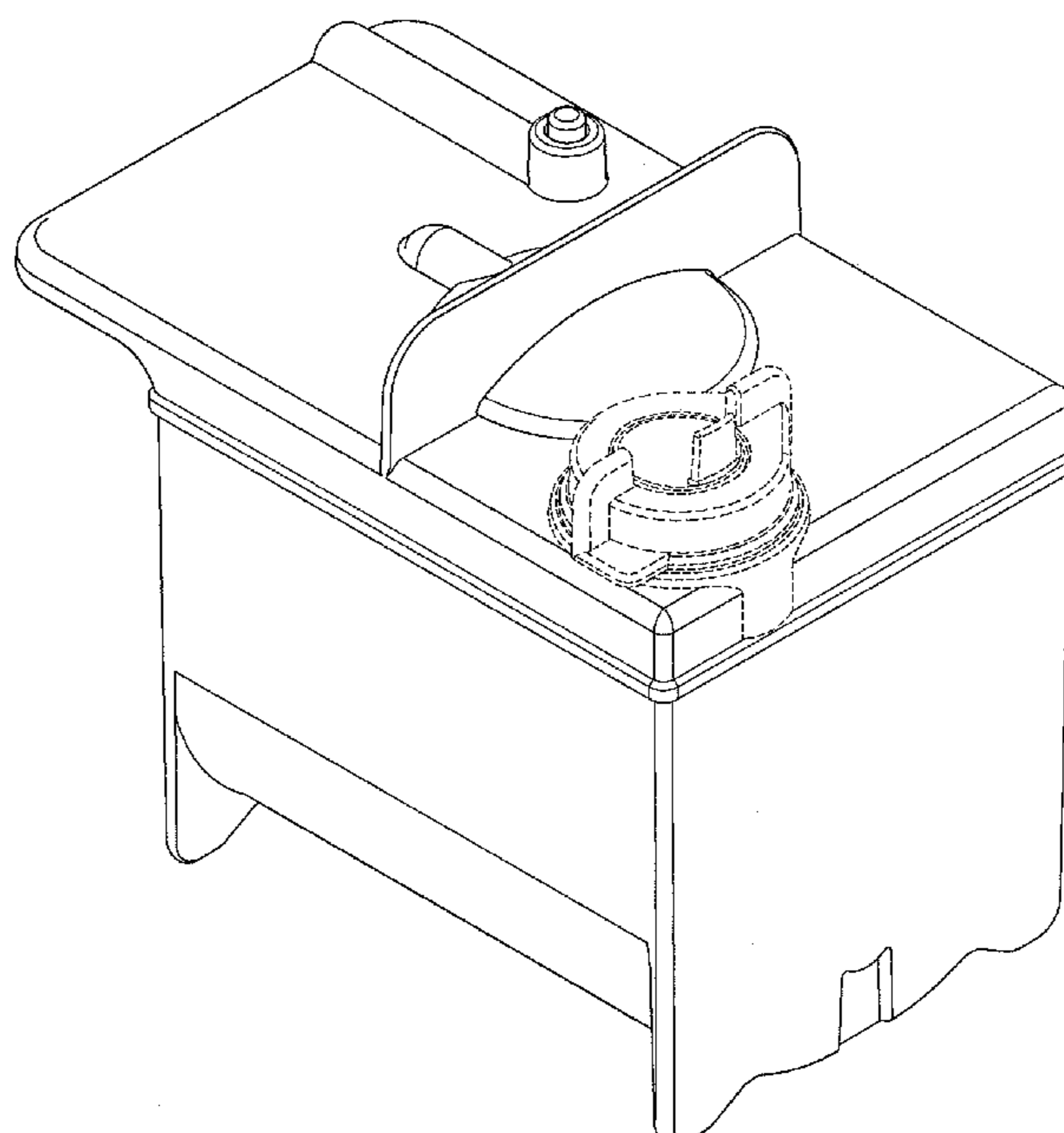
In the drawings, the broken lines are for the purpose of illustrating environment only and form no part of the claimed design.

(56) **References Cited**

U.S. PATENT DOCUMENTS

D513,074 S * 12/2005 Nakamura et al. D24/164
D549,342 S * 8/2007 Ross et al. D24/164

1 Claim, 5 Drawing Sheets



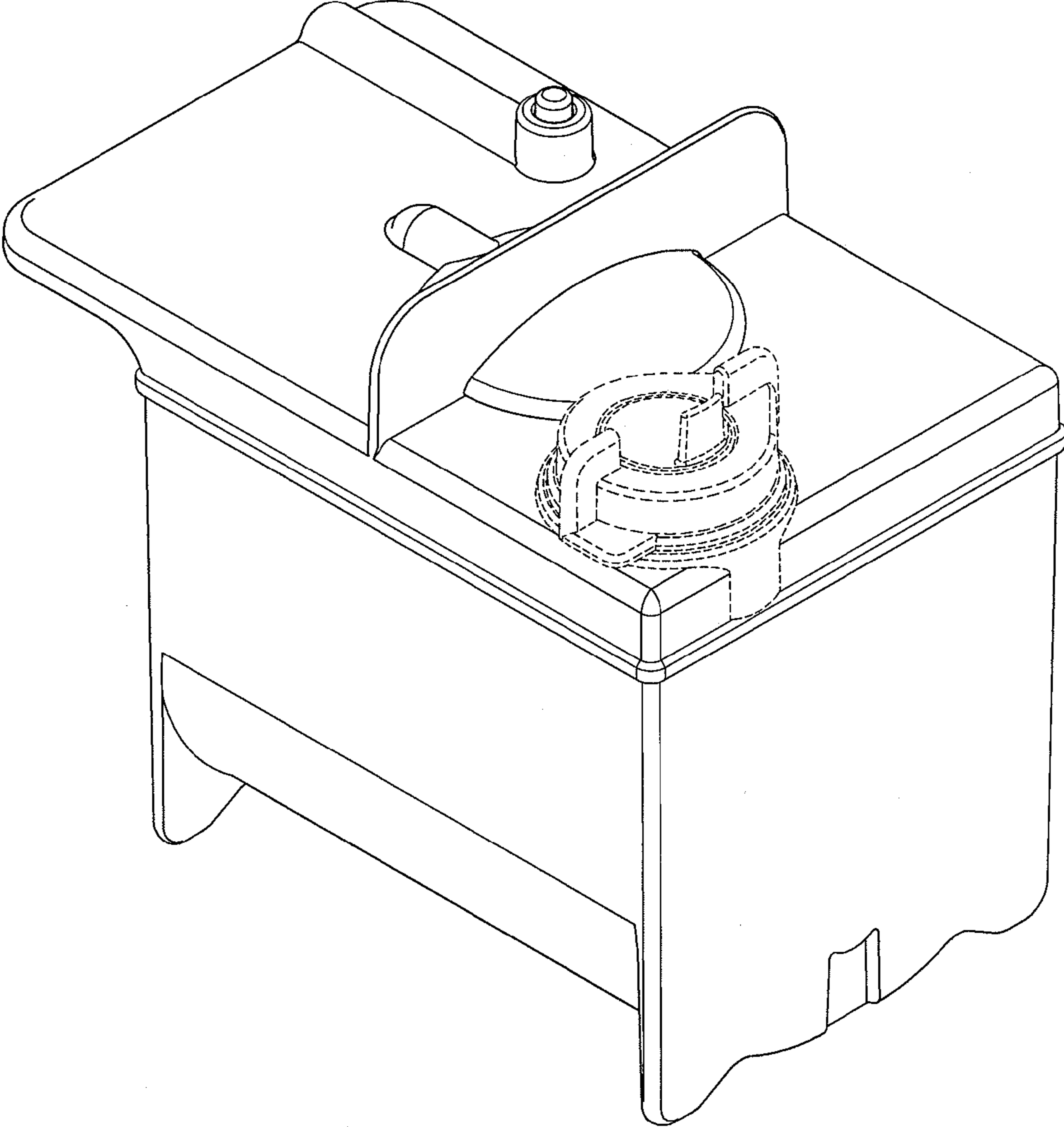


Figure 1

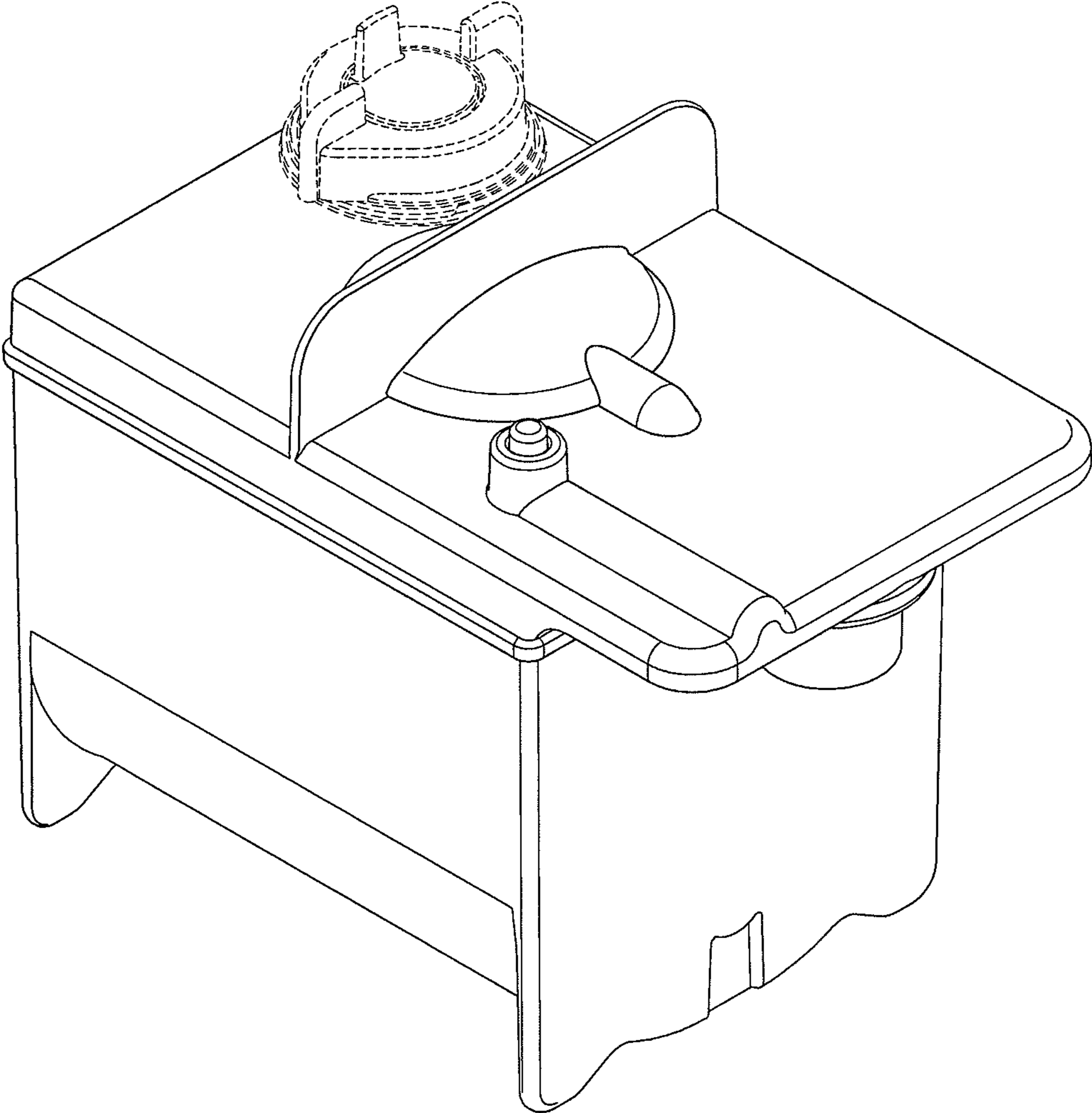


Figure 2

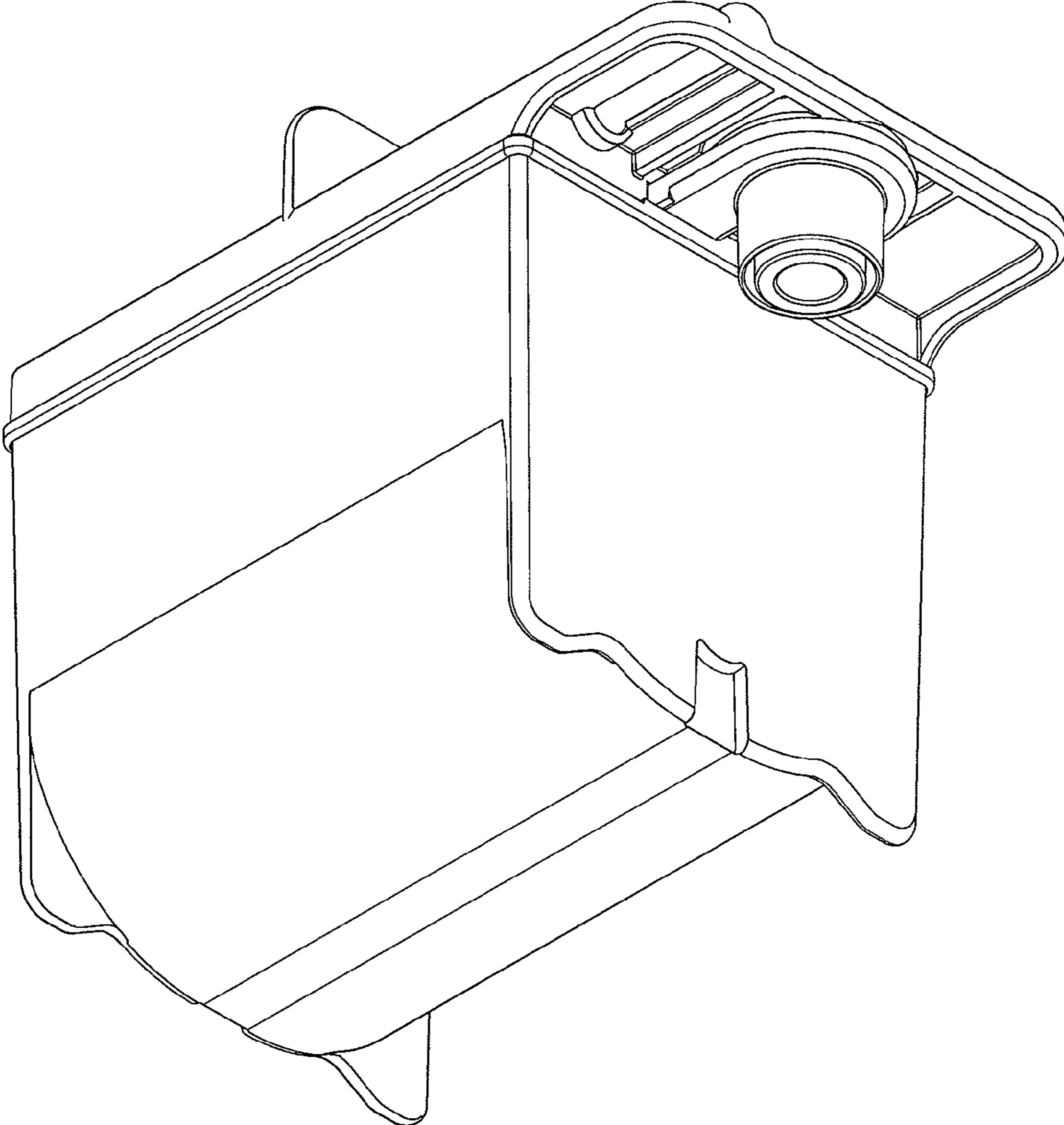


Figure 3

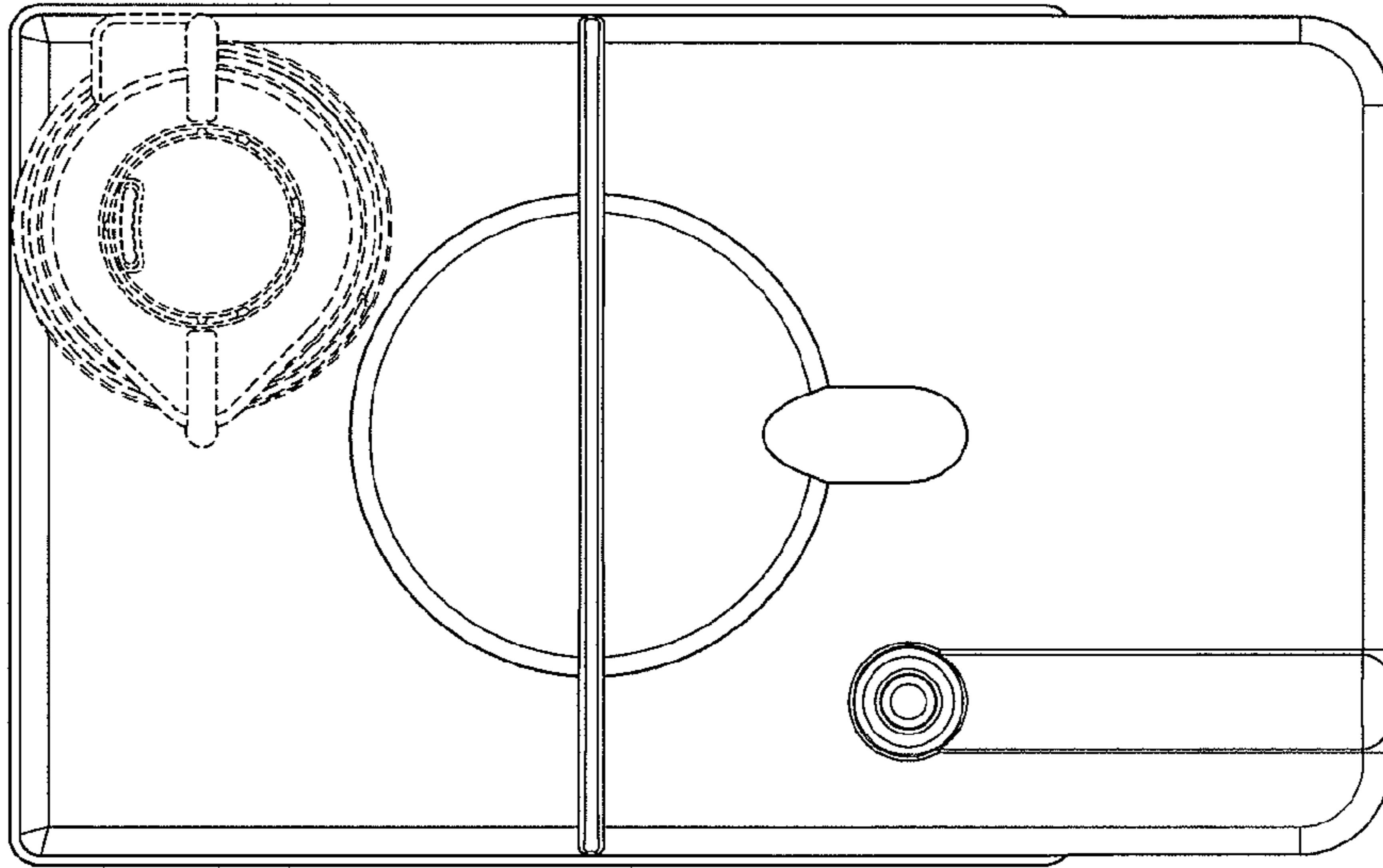


Figure 4

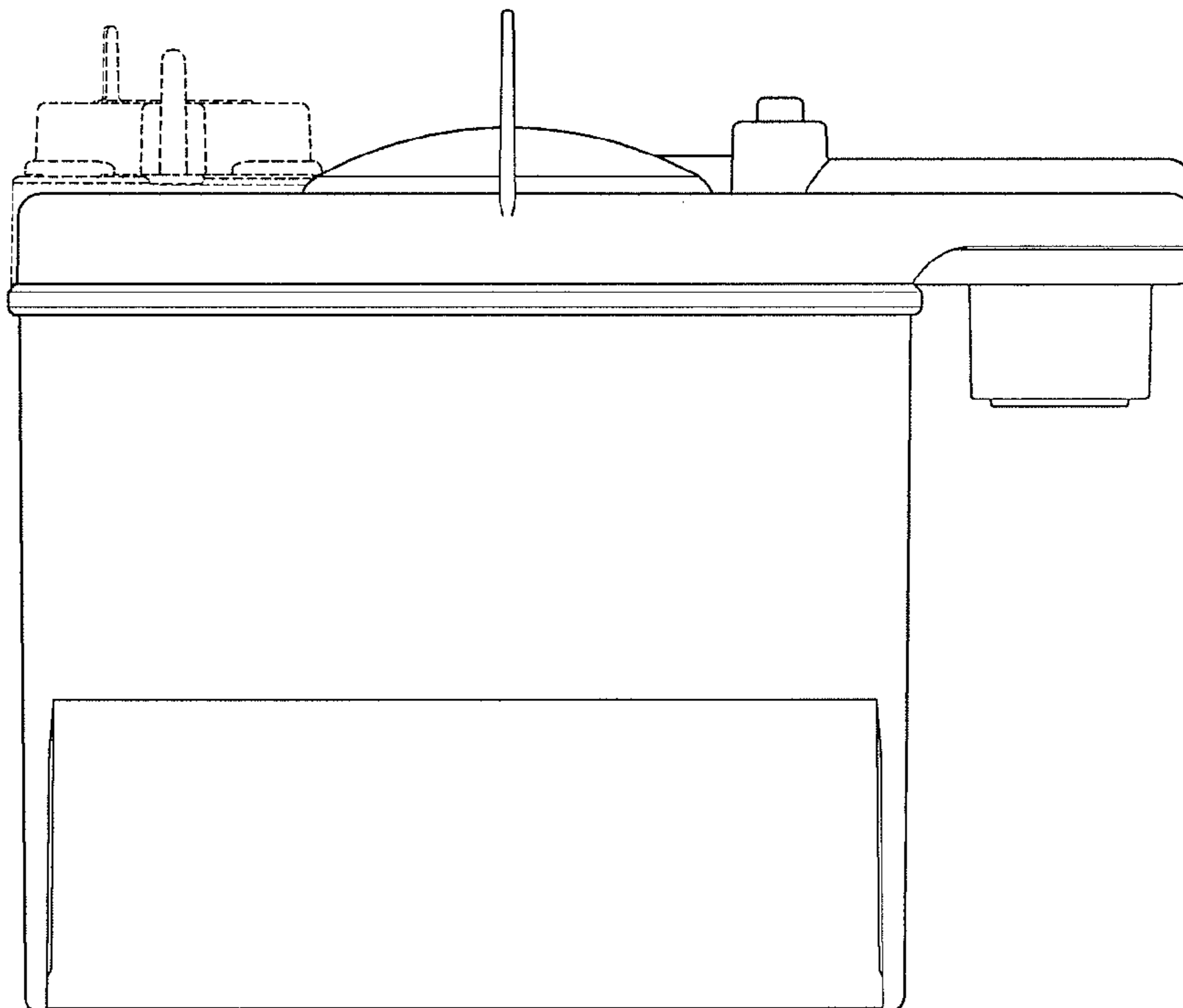


Figure 5

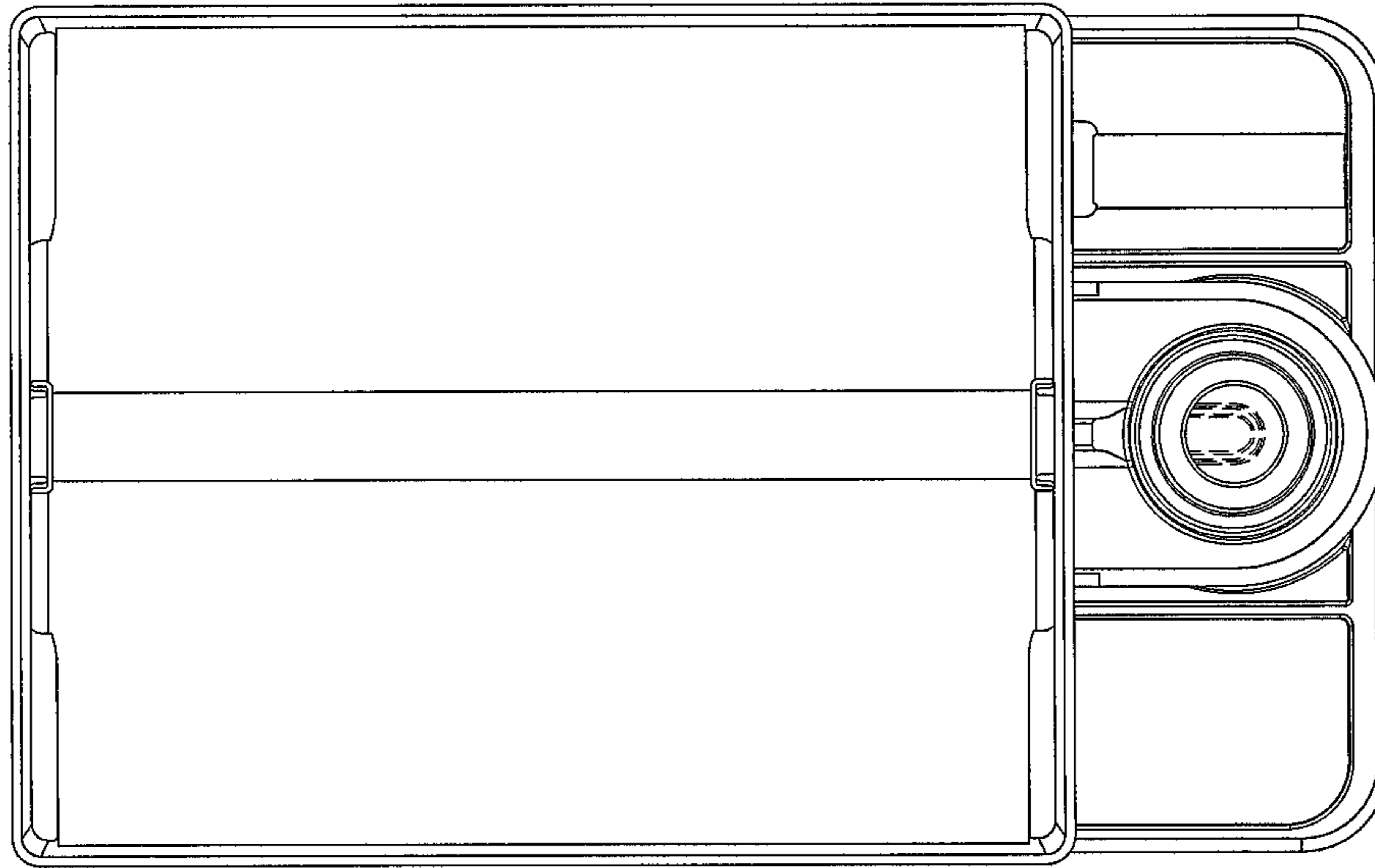


Figure 6

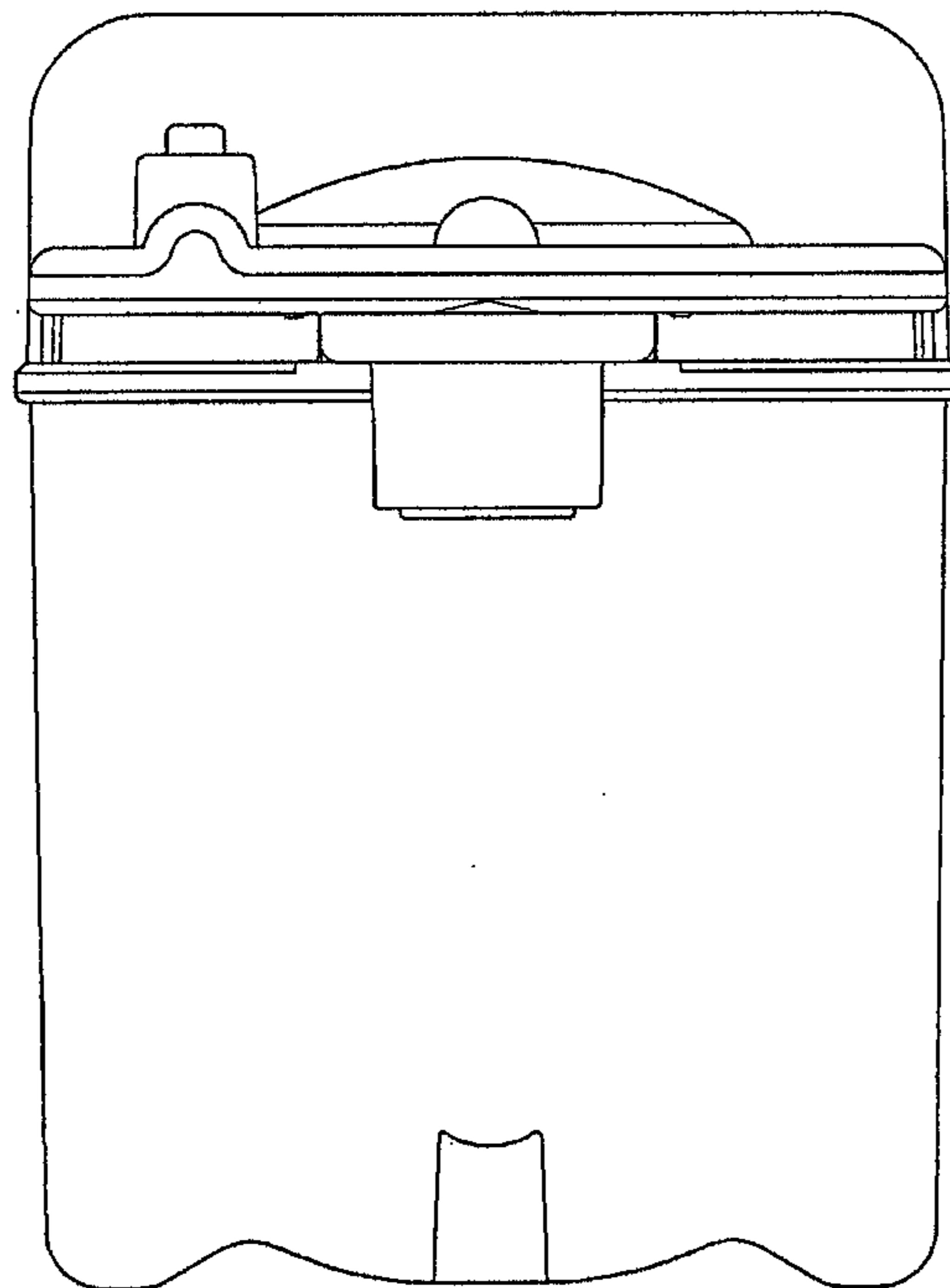


Figure 7