

US00D753828S

(12) **United States Design Patent**
Baba

(10) **Patent No.:** **US D753,828 S**
(45) **Date of Patent:** **** Apr. 12, 2016**

(54) **SCANNER FOR AN X-RAY TOMOGRAPHY
DIAGNOSIS APPARATUS**

FOREIGN PATENT DOCUMENTS

(71) Applicants: **Kabushiki Kaisha Toshiba**, Minato-ku,
Tokyo (JP); **Toshiba Medical Systems
Corporation**, Otawara-shi, Tochigi-ken
(JP)

JP D1156807 10/2002
JP D1359834 3/2010

(Continued)

(72) Inventor: **Noriaki Baba**, Tokyo (JP)

Primary Examiner — Anhdao Doan

(74) *Attorney, Agent, or Firm* — Banner & Witcoff, Ltd.

(73) Assignees: **Kabushiki Kaisha Toshiba**, Minato-ku,
Tokyo (JP); **Toshiba Medical Systems
Corporation**, Otawara-shi, Tochigi-ken
(JP)

(57) **CLAIM**

The ornamental design for a scanner for an X-ray tomography
diagnosis apparatus, as shown and described.

(**) Term: **15 Years**

DESCRIPTION

(21) Appl. No.: **29/527,460**

(22) Filed: **May 19, 2015**

(30) **Foreign Application Priority Data**

Nov. 25, 2014 (JP) 2014-026265

(51) **LOC (10) Cl.** **24-01**

(52) **U.S. Cl.**
USPC **D24/158**

(58) **Field of Classification Search**

USPC D24/158-161, 185, 186, 107

CPC A61B 6/06; A61B 6/4405; A61B 6/4411;

A61B 6/032; A61B 5/055; G01N 2223/1016;

G01N 2223/301; G01N 23/046; G01N

2223/031; G01N 2223/419; G01R 33/48

See application file for complete search history.

(56) **References Cited**

U.S. PATENT DOCUMENTS

D566,843 S * 4/2008 Ogiwara D24/158

D649,250 S * 11/2011 Ishihara D24/158

D701,312 S * 3/2014 Ohmukai D24/158

(Continued)

FIG. 1 is a front, top and right side perspective view of a
scanner for an X-ray tomography diagnosis apparatus, show-
ing my new design;

FIG. 2 is a top, rear and right side perspective view thereof;

FIG. 3 is a front view thereof;

FIG. 4 is a right side view thereof, the opposite side being
symmetrical;

FIG. 5 is a top view thereof;

FIG. 6 is a rear view thereof;

FIG. 7 is a bottom view thereof;

FIG. 8 is a cross sectional view thereof taken along line 8-8 in
FIG. 3;

FIG. 9 is a cross sectional view thereof taken along line 9-9 in
FIG. 3;

FIG. 10 is an enlarged fragmented view thereof taken along
line 10 in FIG. 8;

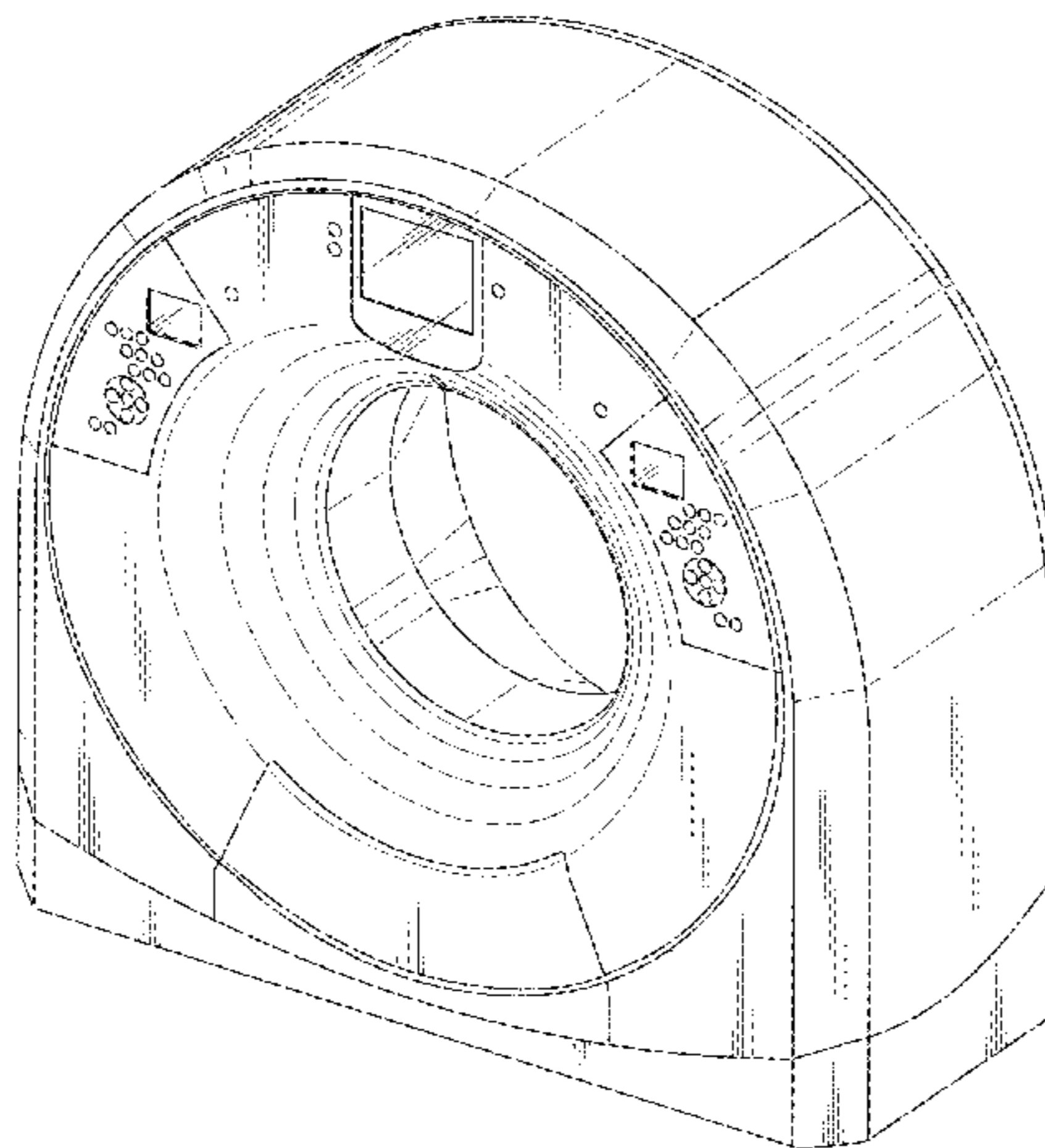
FIG. 11 is an enlarged fragmented view thereof taken along
line 11 in FIG. 8;

FIG. 12 is an enlarged fragmented view thereof taken along
line 12 in FIG. 9; and,

FIG. 13 is a front, top and right side perspective view thereof
with the body sloped backward.

The broken lines in FIGS. 8 and 9 are included to indicate the
point at which the magnified view is cut off. The broken lines
are for illustrative purposes only and form no part of the
claimed design.

1 Claim, 11 Drawing Sheets



(56)

References Cited

FOREIGN PATENT DOCUMENTS

U.S. PATENT DOCUMENTS

D725,275 S * 3/2015 Matsumura D24/158
2012/0140899 A1* 6/2012 Bailey A61B 6/035
378/198

JP D1363978 4/2010
JP D1433559 2/2012
JP D1475613 7/2013

* cited by examiner

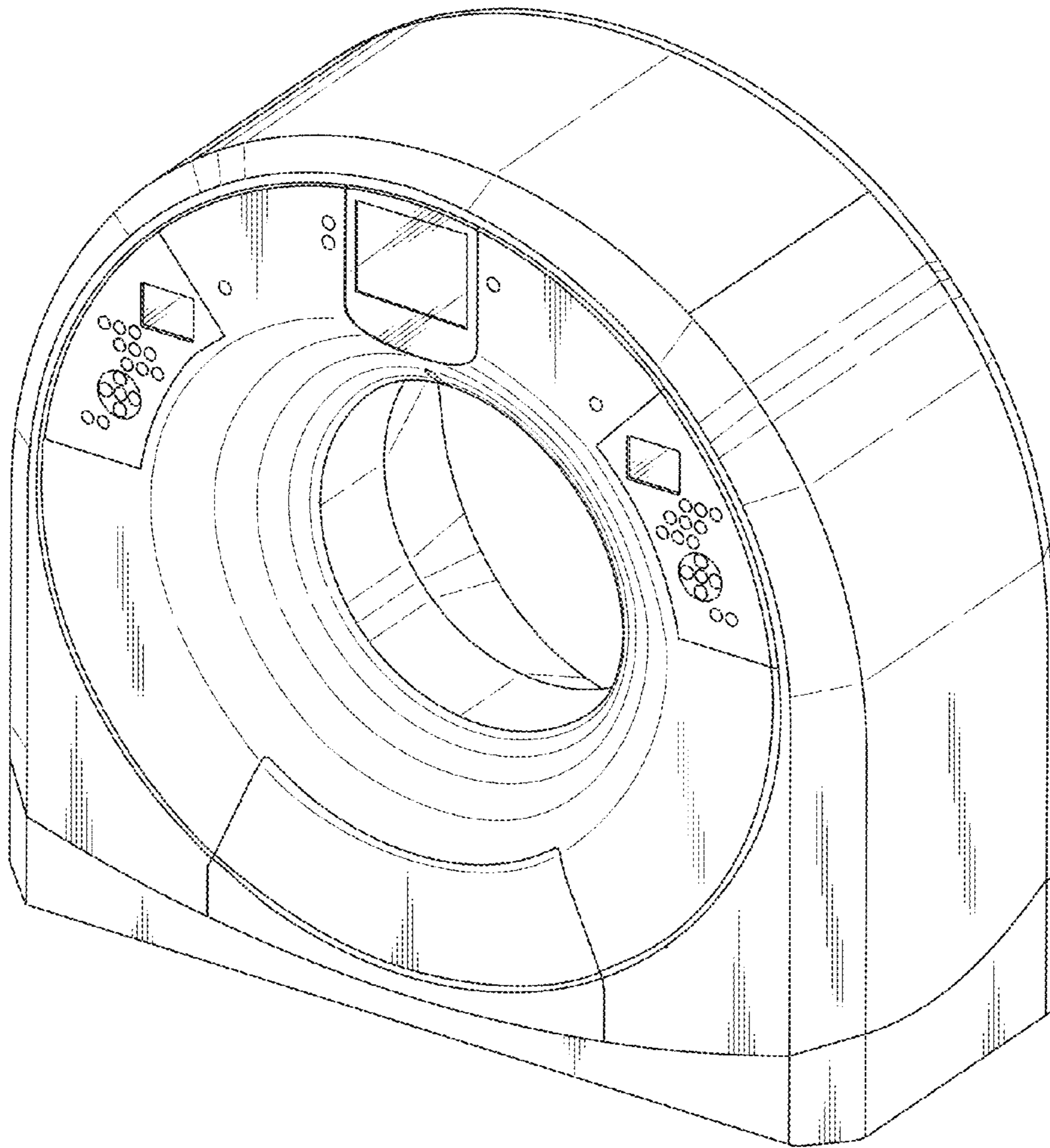


Fig. 1

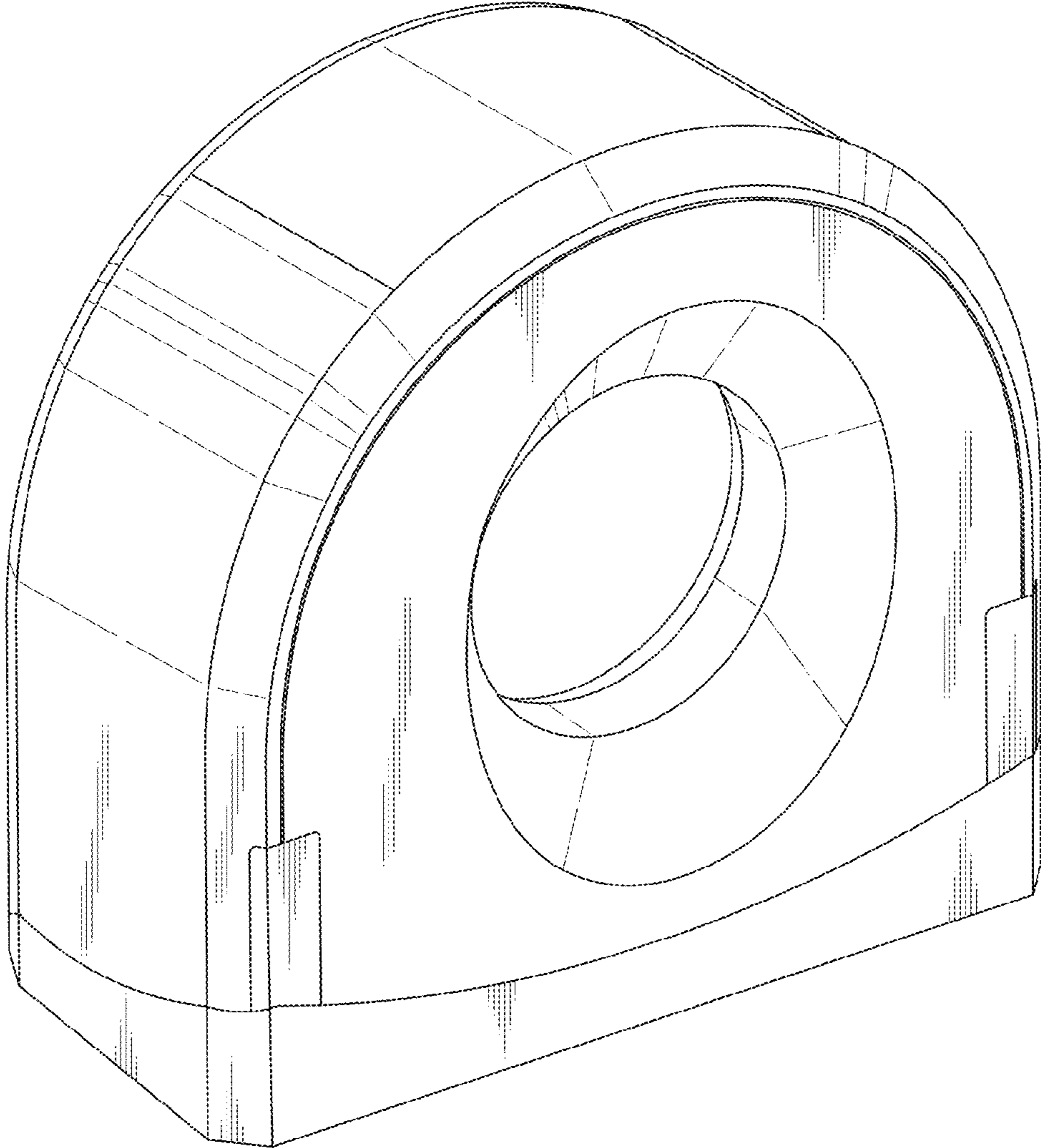


Fig. 2

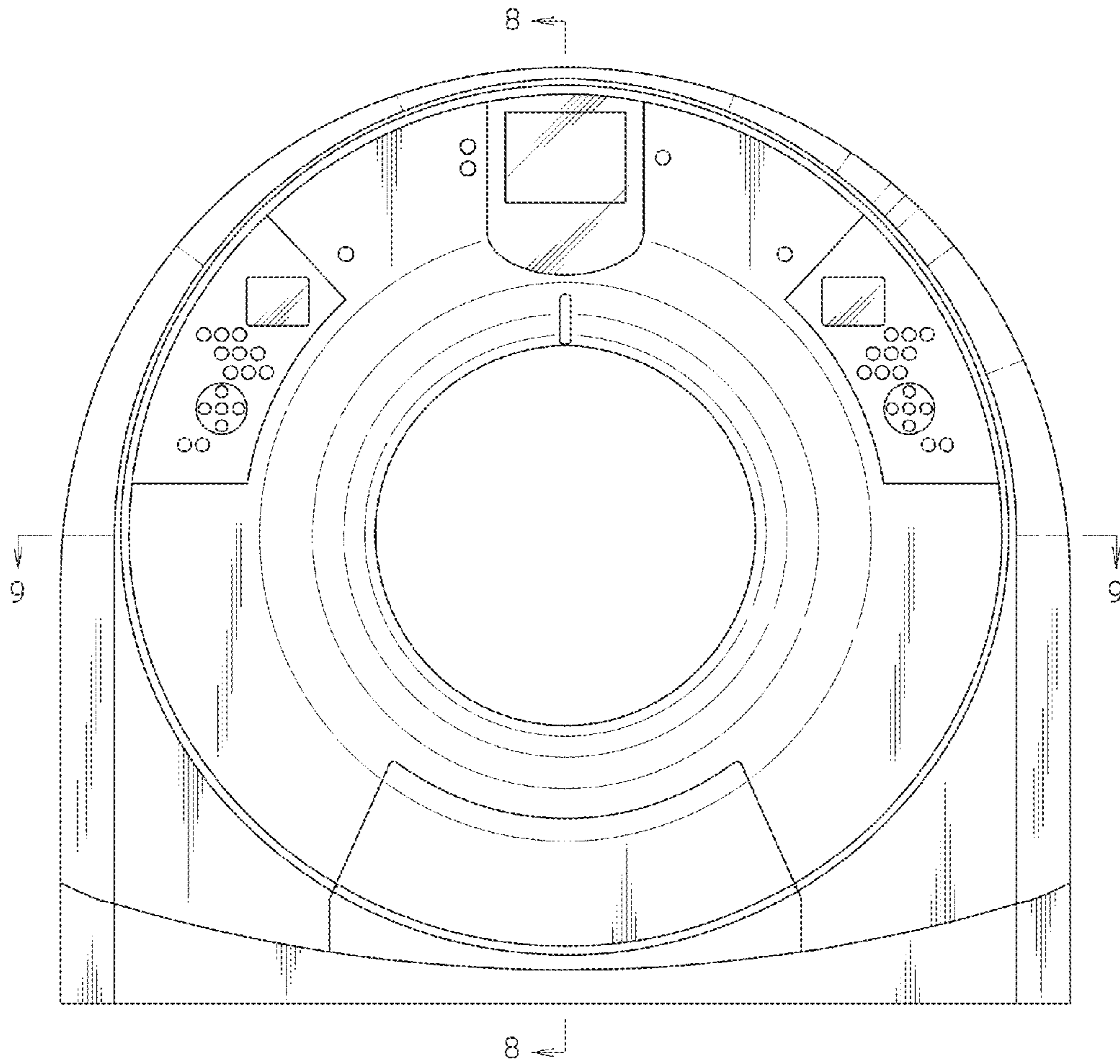


Fig. 3

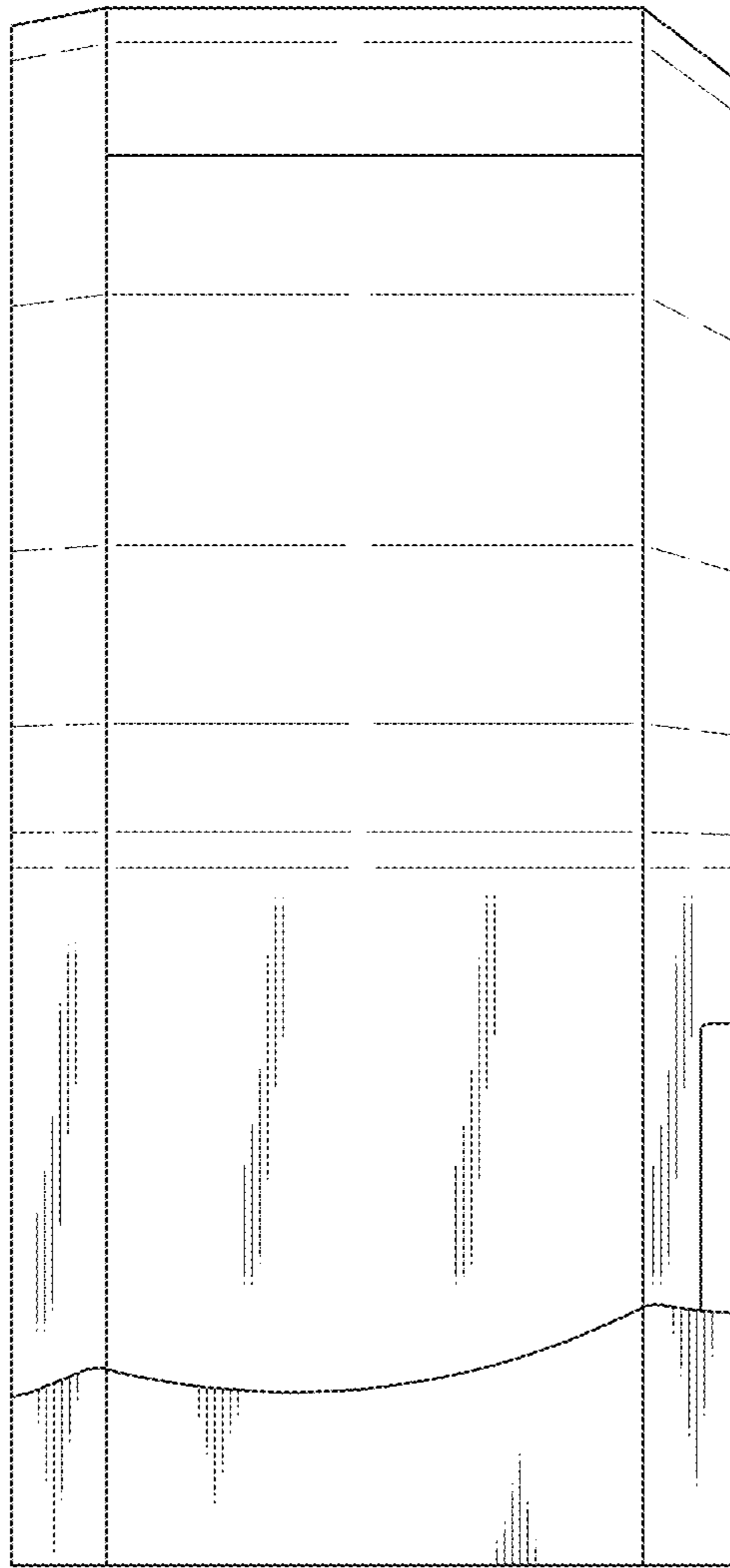


Fig. 4

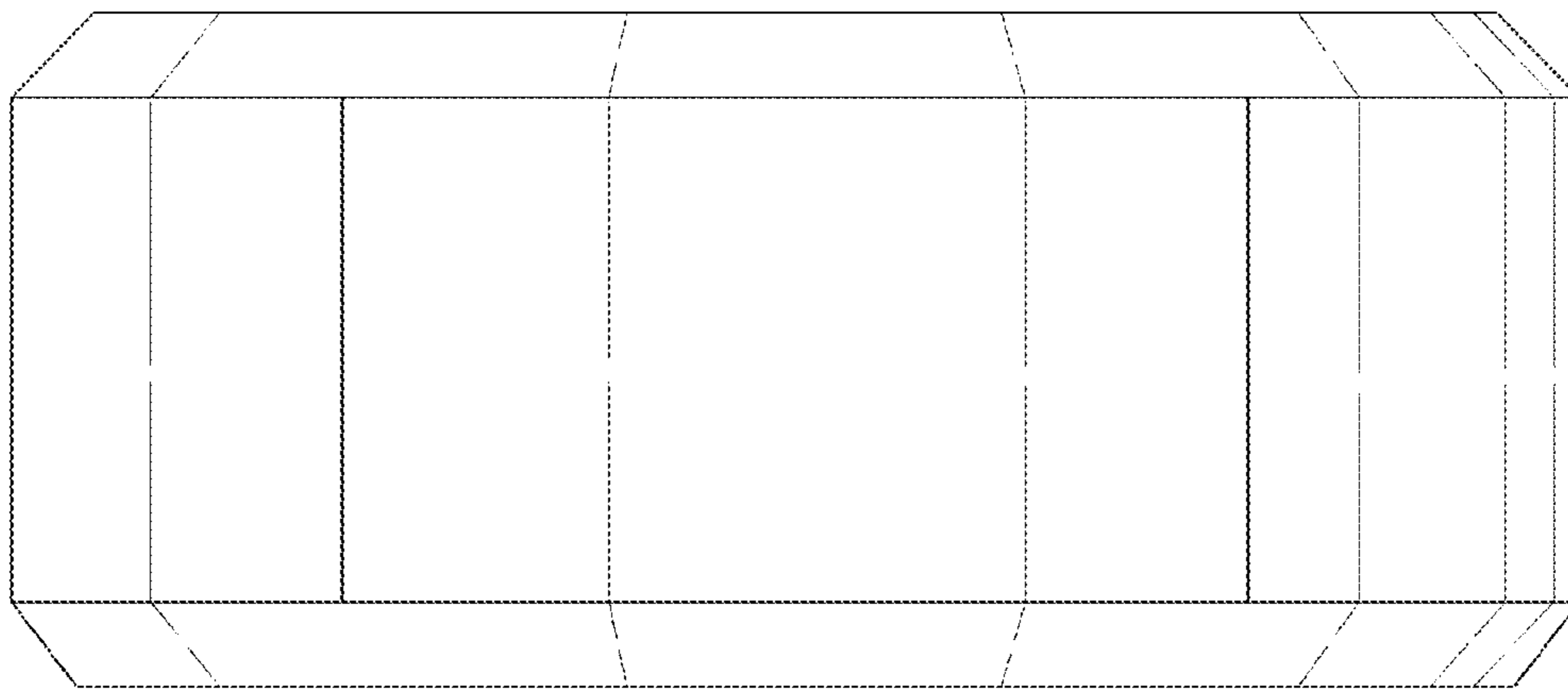


Fig. 5

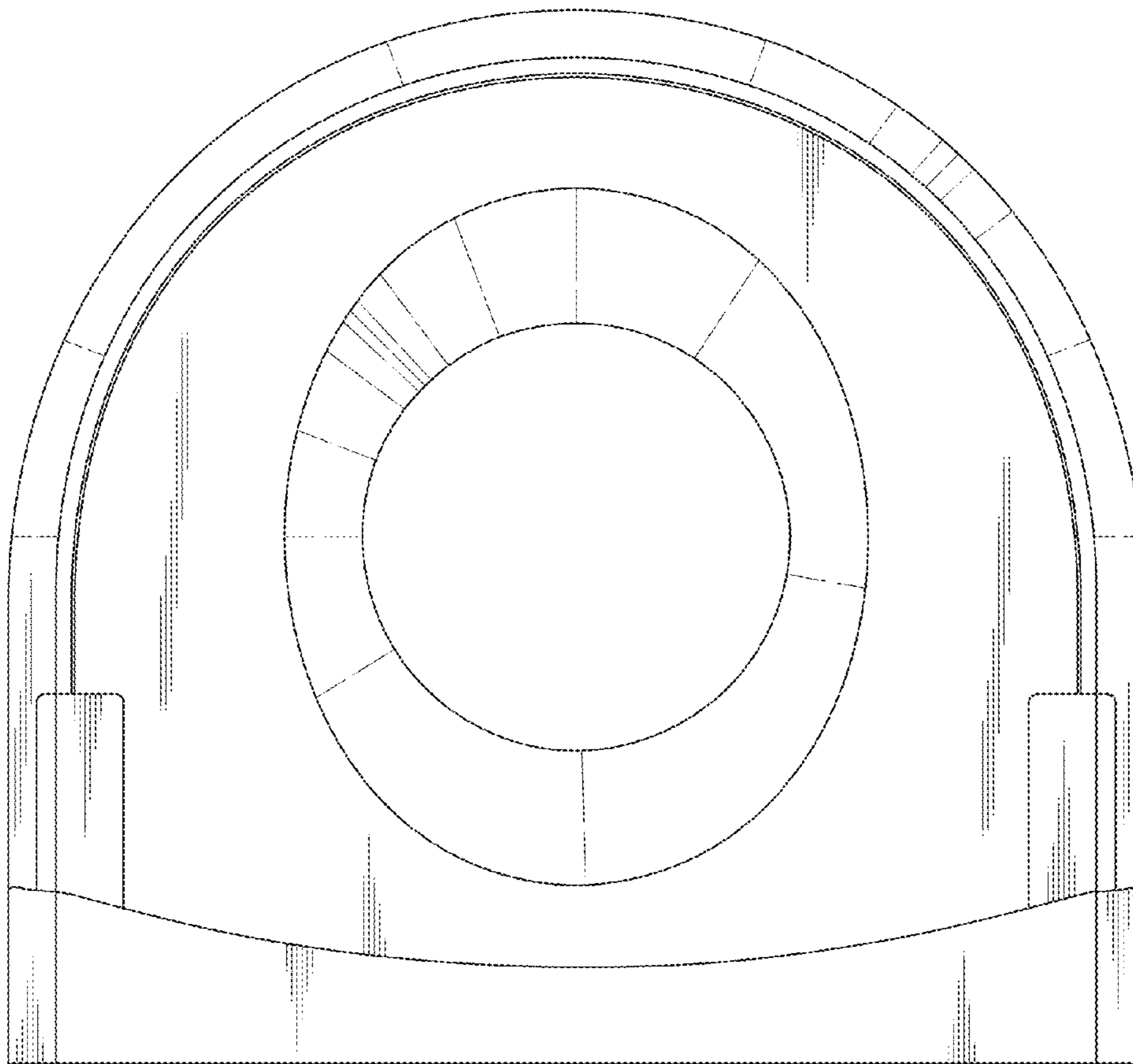


Fig. 6



Fig. 7

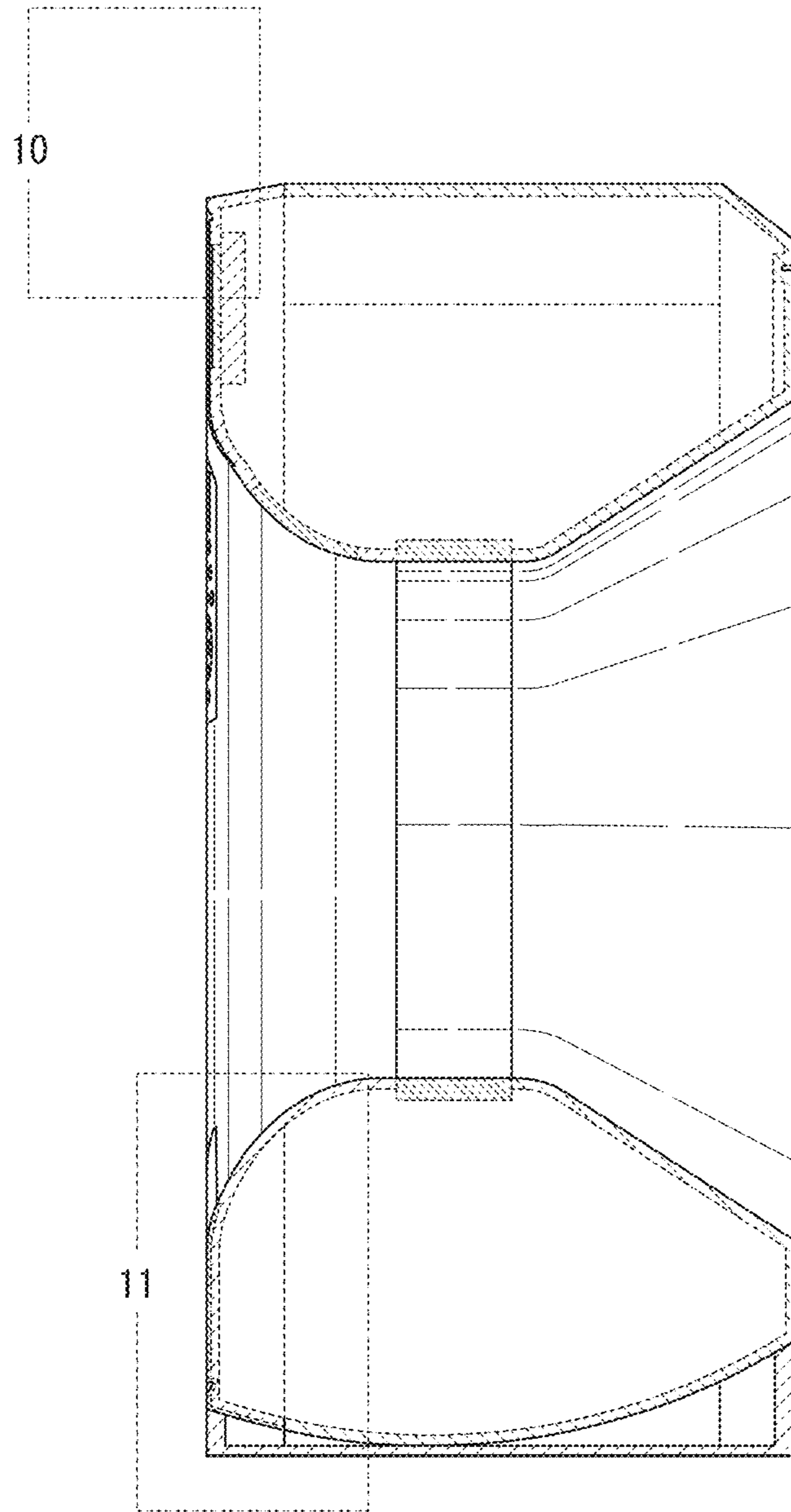


Fig. 8

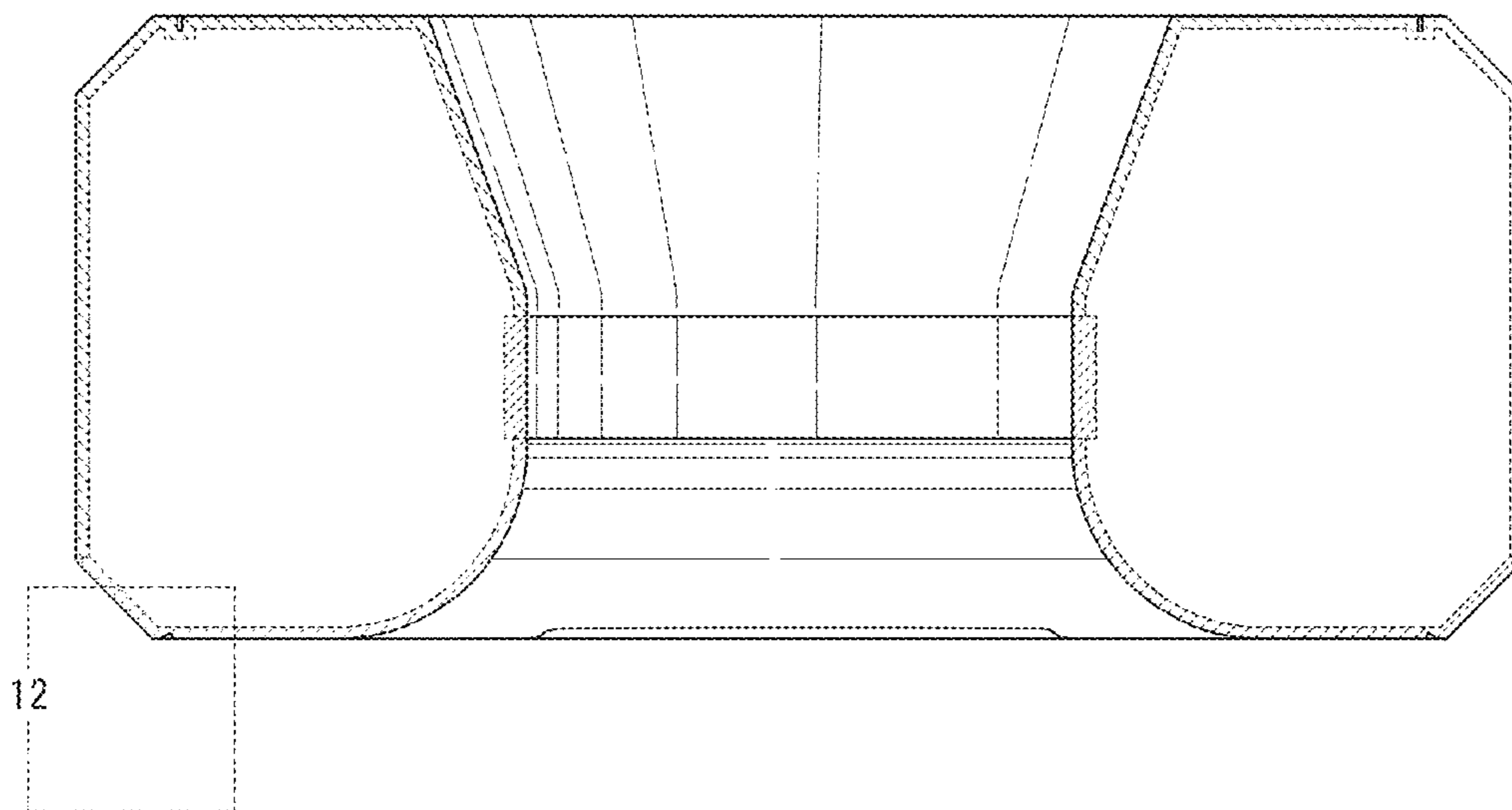


Fig. 9

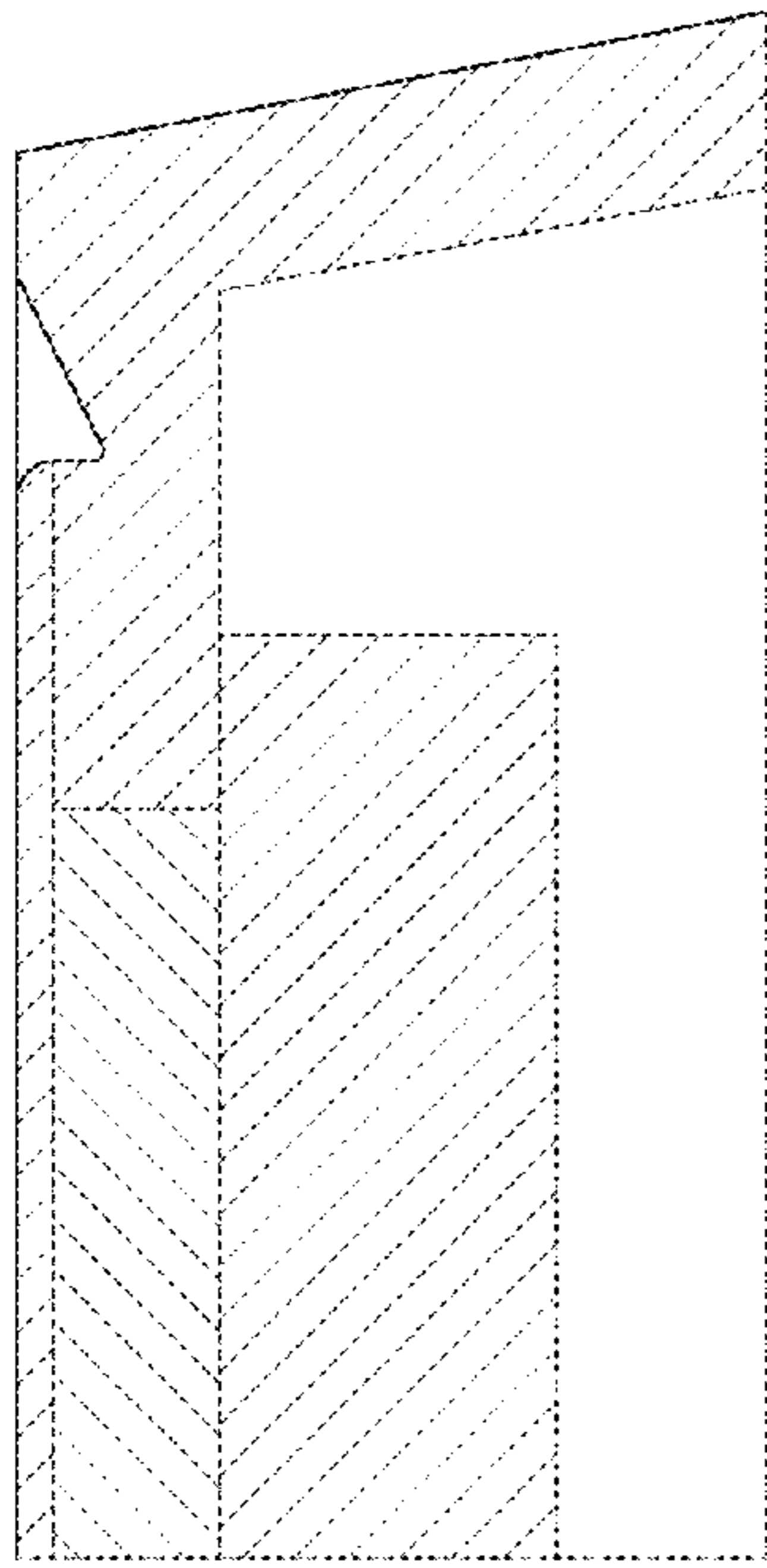


Fig. 10

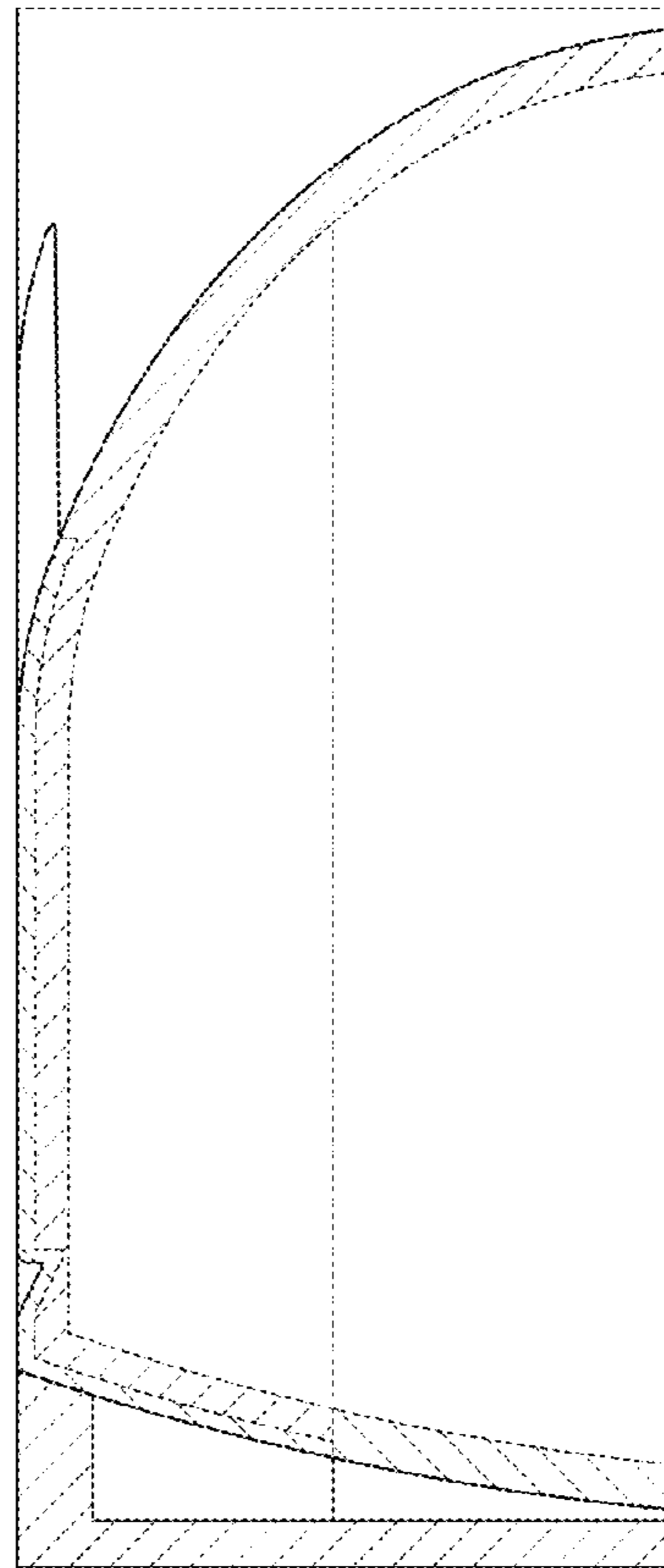


Fig. 11

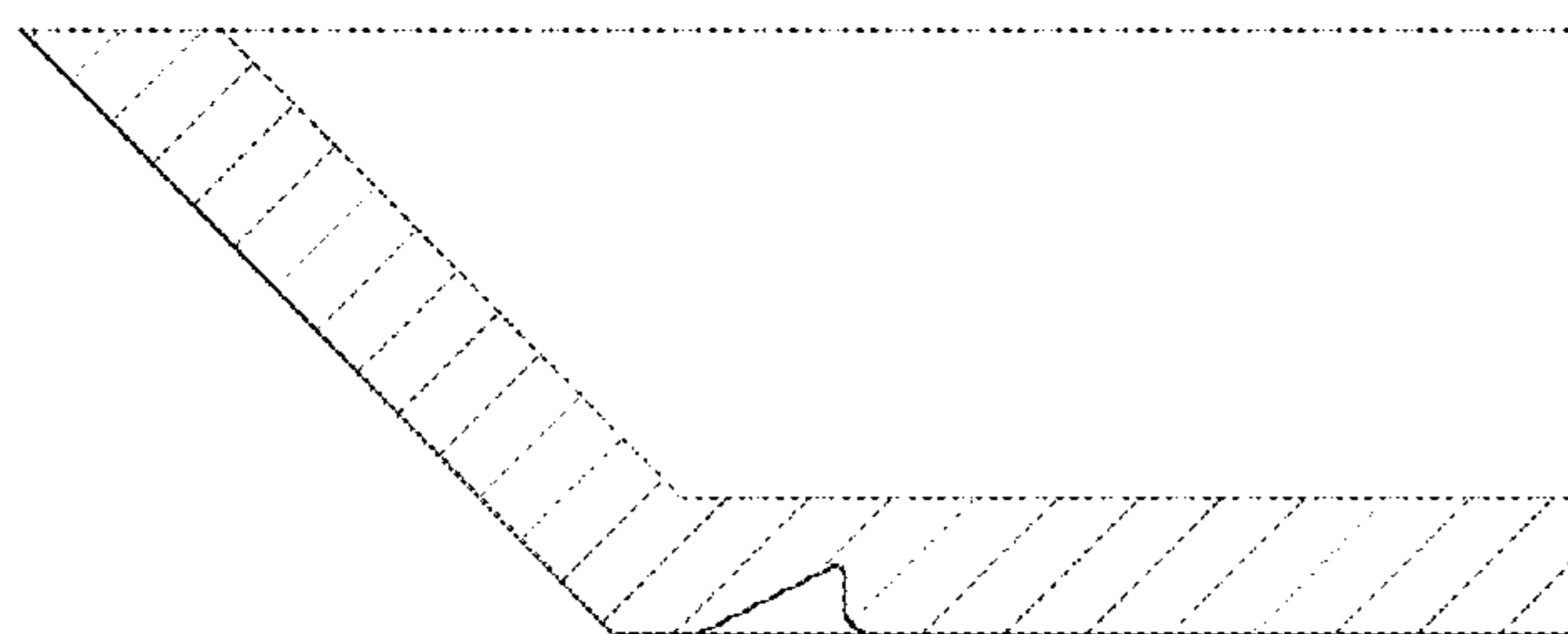


Fig. 12

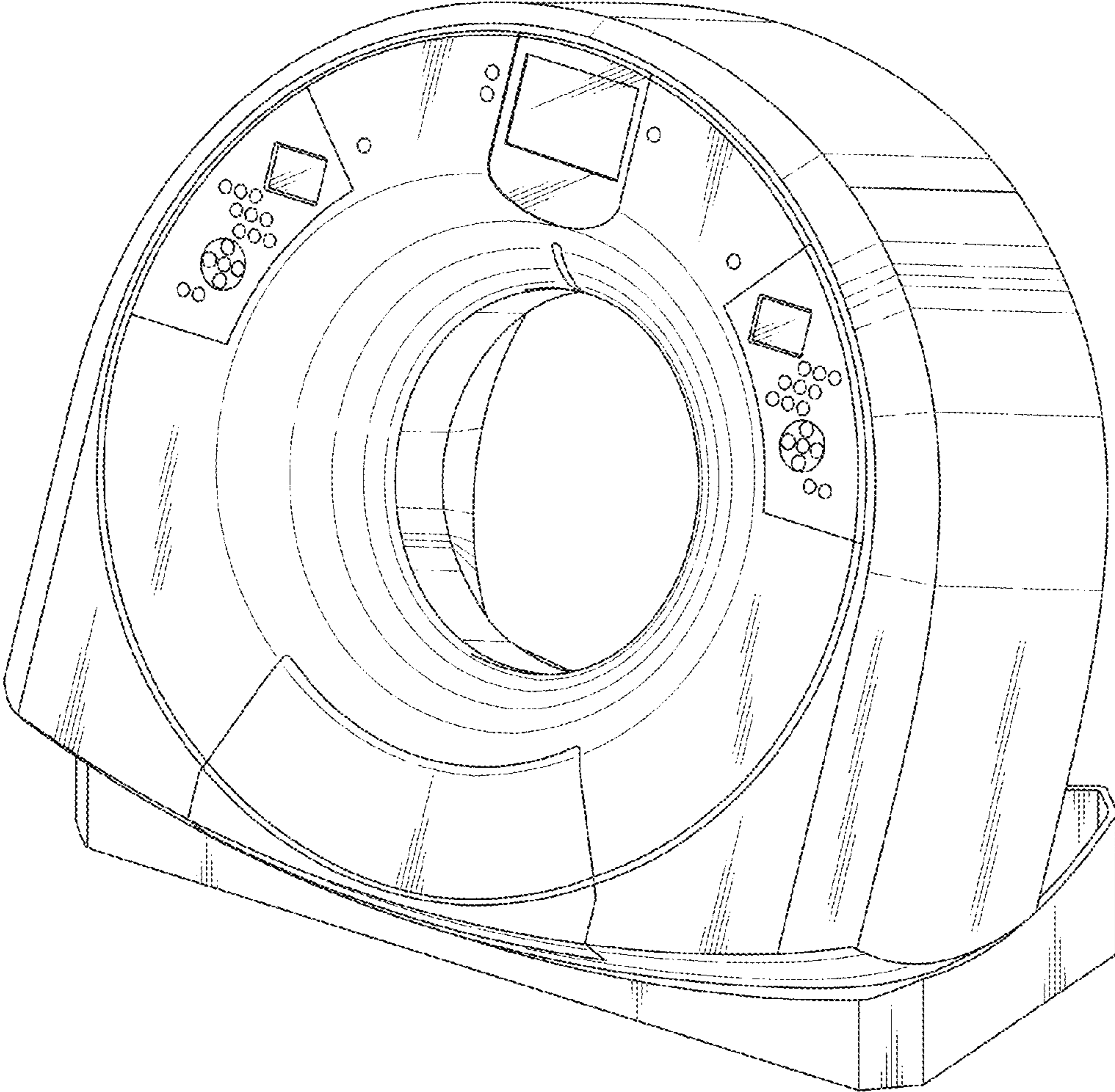


Fig. 13