



US00D753822S

(12) **United States Design Patent**
Teufel et al.

(10) **Patent No.:** **US D753,822 S**
(45) **Date of Patent:** **** Apr. 12, 2016**

(54) **ENDOSCOPE**

(71) Applicant: **KARL STORZ GmbH & Co. KG,**
Tuttlingen (DE)

(72) Inventors: **Felix Teufel,** Tuttlingen (DE); **Isolde Mesle,** Durchhausen (DE); **Oliver Baumann,** Tuttlingen (DE)

(73) Assignee: **KARL STORZ GmbH & Co. KG,**
Tuttlingen (DE)

(**) Term: **14 Years**

(21) Appl. No.: **29/490,181**

(22) Filed: **May 7, 2014**

(30) **Foreign Application Priority Data**

Nov. 7, 2013 (EM) 002340547-0002

(51) **LOC (10) Cl.** **24-02**

(52) **U.S. Cl.**
USPC **D24/138**

(58) **Field of Classification Search**
USPC D24/108, 129, 130, 138, 140, 143, 147,
D24/167; 600/101; 604/192, 254, 256;
606/46, 56, 184, 185
See application file for complete search history.

(56) **References Cited**

U.S. PATENT DOCUMENTS

5,048,508 A * 9/1991 Storz A61B 1/00073
600/116
D459,475 S * 6/2002 Topala D24/138
6,471,639 B2 * 10/2002 Rudischhauser .. A61B 1/00135
600/128
D533,941 S * 12/2006 Furst D24/137
D534,276 S * 12/2006 Michel D24/137

D548,340 S * 8/2007 Michel D24/137
D583,470 S * 12/2008 Kupferschmid D24/138
D583,471 S * 12/2008 Kupferschmid D24/138
D629,899 S * 12/2010 Meinero D24/137
D663,837 S * 7/2012 Becker D24/138
D666,719 S * 9/2012 Becker D24/138
2001/0056222 A1 * 12/2001 Rudischhauser .. A61B 1/00135
600/130
2003/0107726 A1 * 6/2003 Hirt G01M 11/33
356/73.1
2011/0118544 A1 * 5/2011 Adams A61B 1/015
600/104

* cited by examiner

Primary Examiner — Ian Simmons

Assistant Examiner — Samantha Q Lawrence

(74) *Attorney, Agent, or Firm* — Muncy, Geissler, Olds & Lowe, P.C.

(57) **CLAIM**

The ornamental design for an endoscope, as shown and described.

DESCRIPTION

FIG. 1 is a perspective view of an endoscope according to the present invention.

FIG. 2 is a front view of the endoscope of FIG. 1.

FIG. 3 is a right side view of the endoscope of FIG. 1.

FIG. 4 is a left side view of the endoscope of FIG. 1.

FIG. 5 is a top view of the endoscope of FIG. 1.

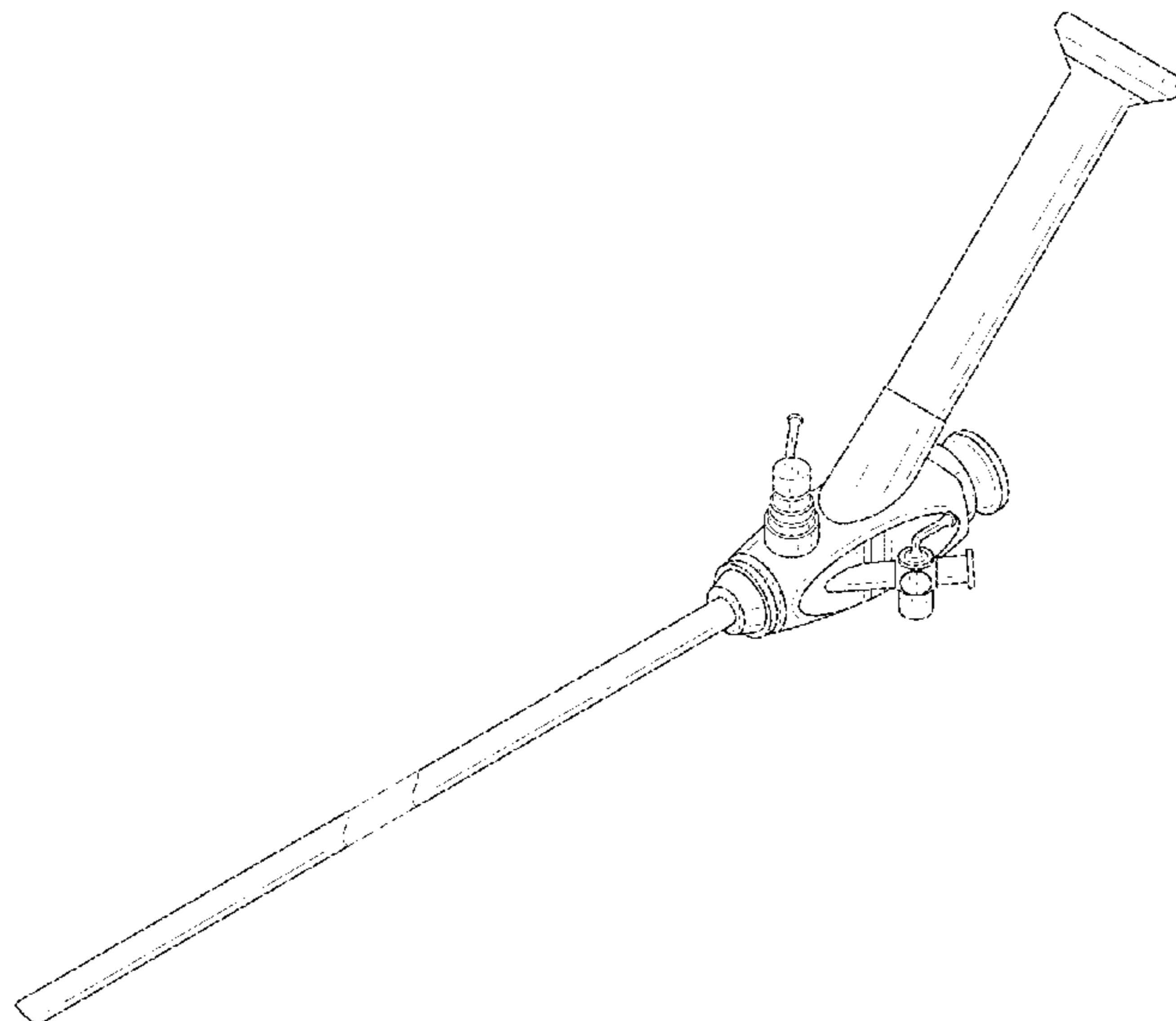
FIG. 6 is a bottom view of the endoscope of FIG. 1; and,

FIG. 7 is a rear view of the endoscope of FIG. 1.

The dashed lines shown in FIG. 1 and FIGS. 3-6 immediately adjacent to the claimed portion of the tube of the endoscope represent boundaries of the design and form no part the claimed design.

The dashed lines shown in FIGS. 2 and 7 show portions of the endoscope that form no part of the claimed design.

1 Claim, 7 Drawing Sheets



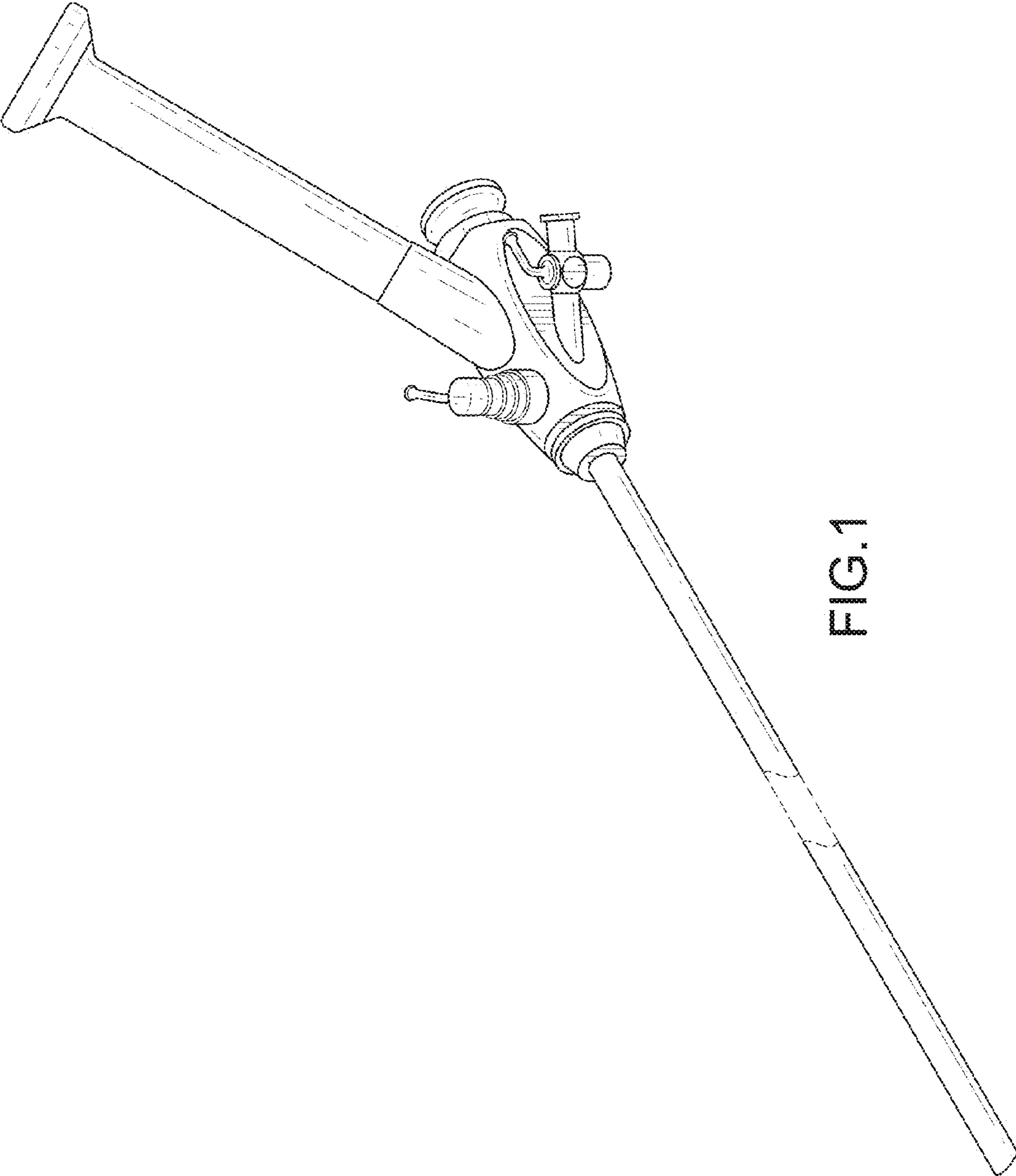


FIG. 1

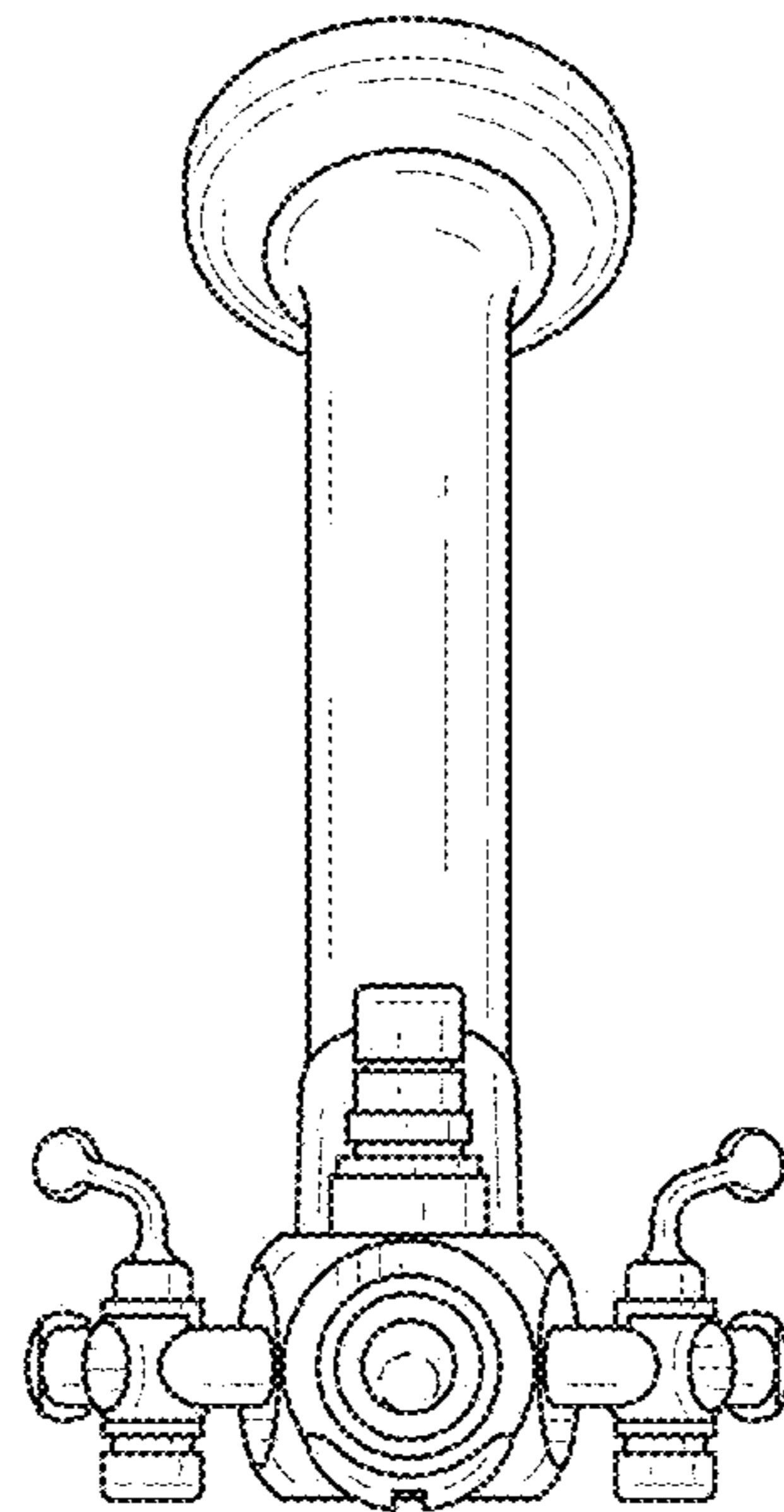


FIG.2

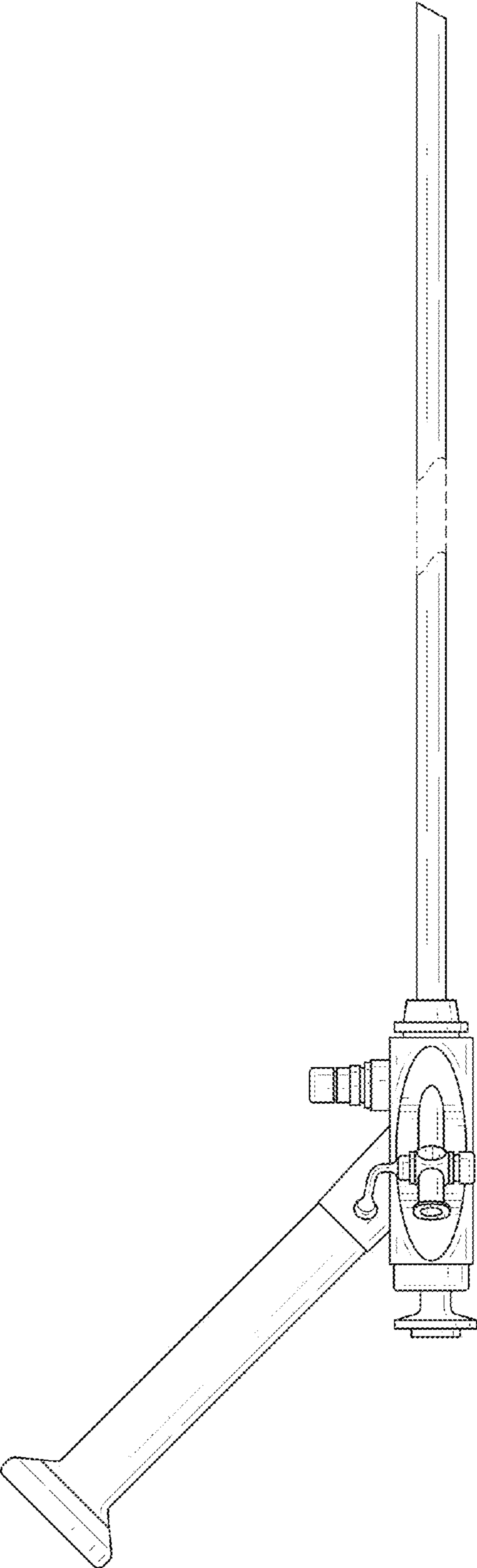


FIG.3

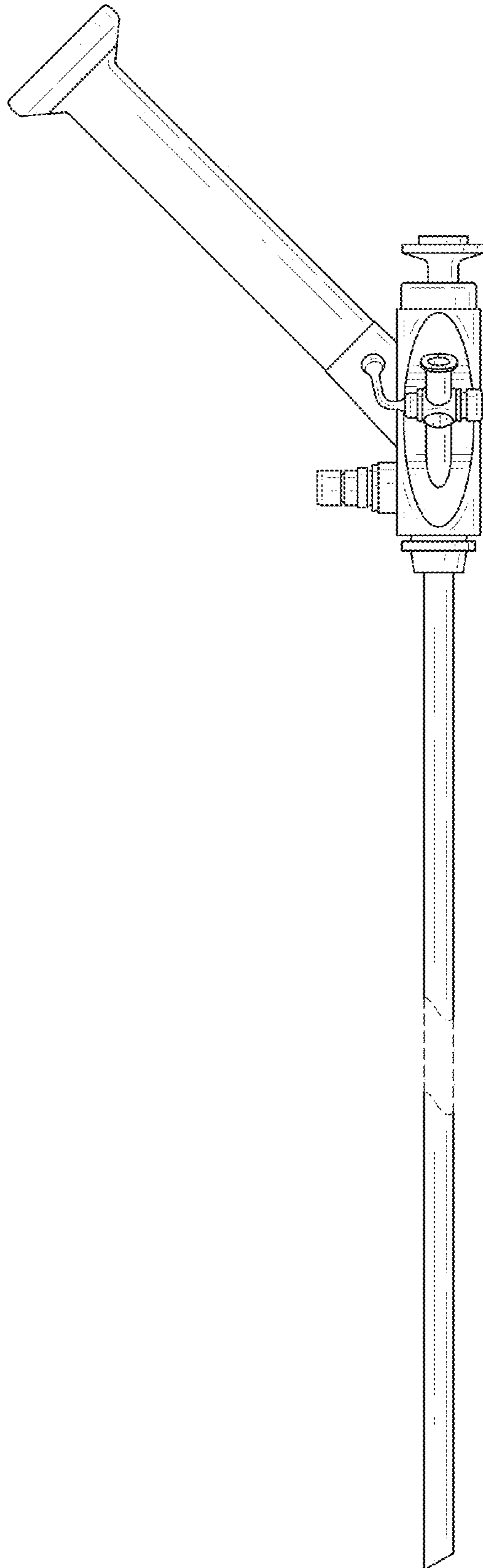


FIG.4

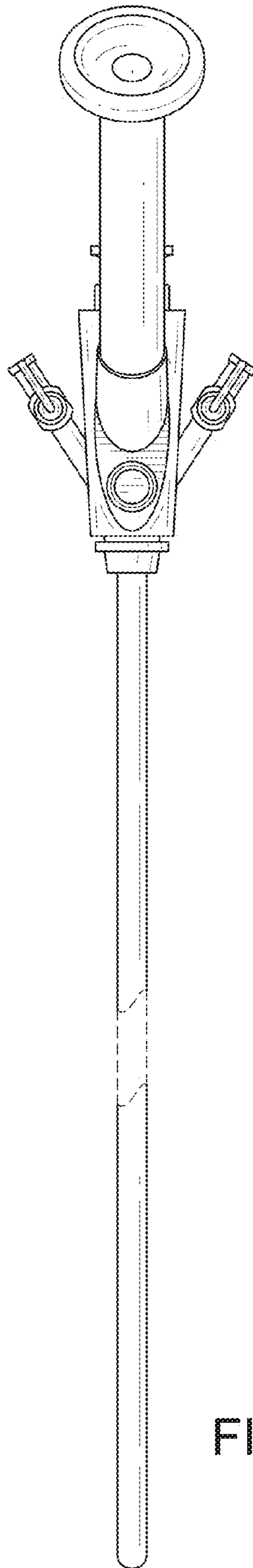


FIG.5

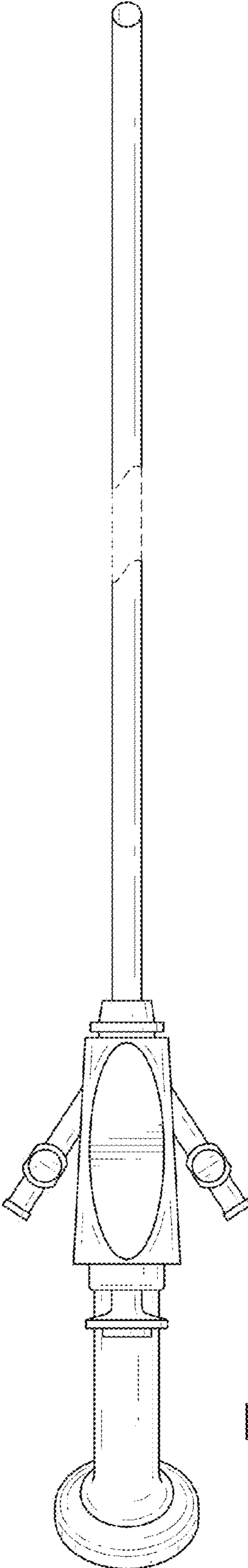


FIG.6

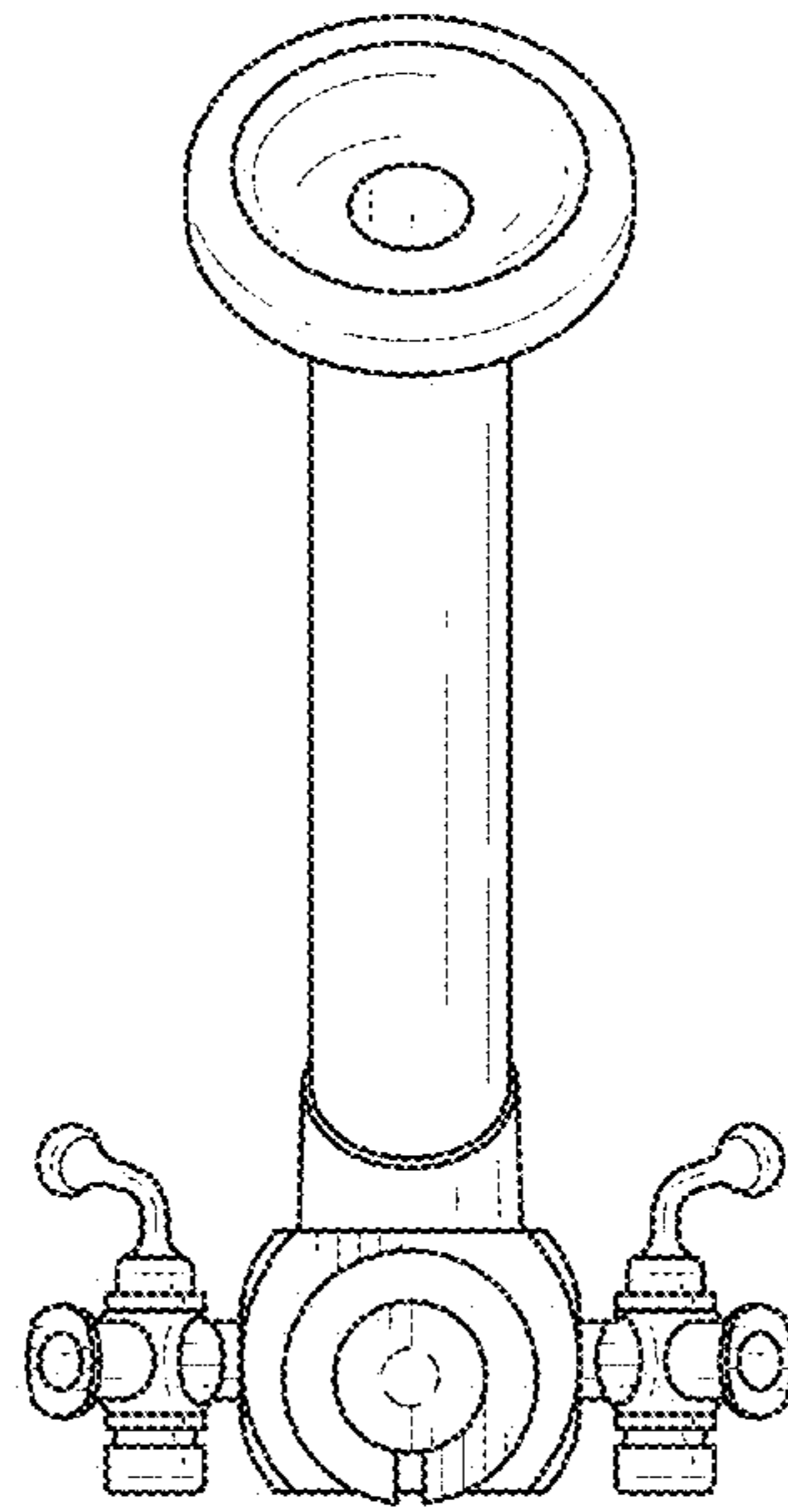


FIG.7